

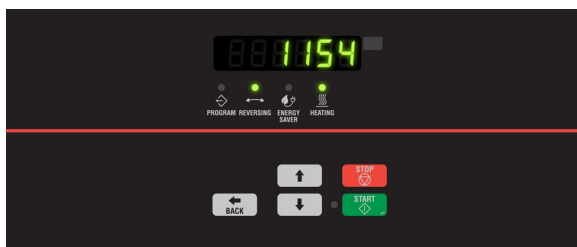
# SPEED QUEEN ON-PREMISES LAUNDRY

## 50 LB CAPACITY ST050 SINGLE TUMBLE DRYER

### Tumble Dryers

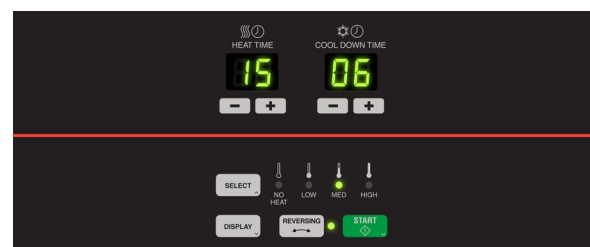
Our single pocket tumble dryers are designed with fewer moving parts, so that you'll face fewer maintenance problems and less wear and tear. We make it easier with a large, easy-to-clean lint compartment and a heavy-duty door hinge designed to withstand heavy usage.

- High-performance heater box increases energy efficiency, reduces drying times and provides a more comfortable operating environment.
- Precise drying performance with OPT (over-dry prevention technology).
- Large easy-to-clean lint compartment.
- Reversing option available.
- Quantum® gives you complete laundry control to reduce costs and increase throughput.



### Quantum® Gold

Revolutionary Quantum® Gold technology combines equipment controls, programming and wireless networking into one complete OPL management system, giving you total control over your laundry room from any computer, anywhere in the world. Advanced diagnostics and audit data reports help you catch errors before they become bigger issues. Quantum Gold is designed to help you reduce costs, decrease your downtime and increase your throughput.



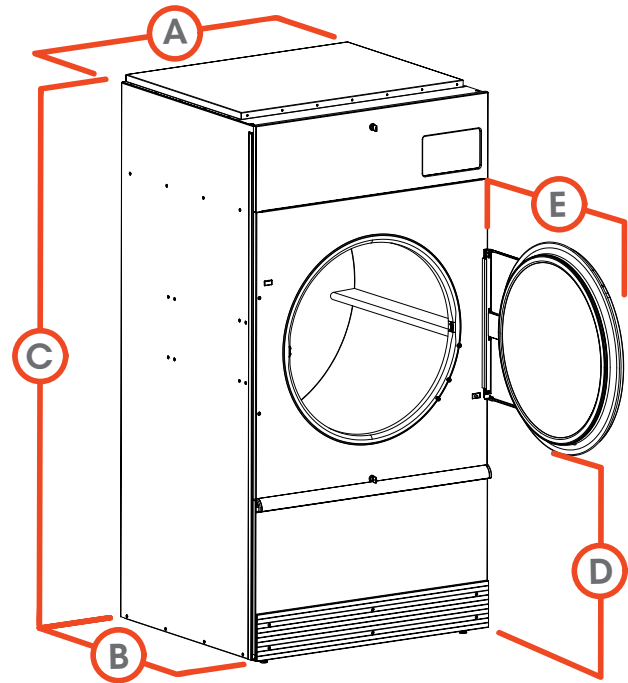
### Dual Digital

With features that include one touch cycle repeat, automatic extended tumble and a large digital countdown display, it's simple to set your drying time, temperature and cool down on the fly.

## SPECIFICATIONS

# SINGLE TUMBLE DRYER

MODEL	<b>ST050</b>		
CONTROL OPTION	Quantum Gold, Dual Digital		
CAPACITY - lb (kg)	50 (23)		
OVERALL WIDTH - in (mm)	38.5 (980)		
OVERALL DEPTH - in (mm)	46.8 (1190)		
OVERALL HEIGHT - in (mm)	77.3 (1960)		
CYLINDER DIAMETER - in (mm)	37 (940)		
CYLINDER DEPTH - in (mm)	30 (762)		
CYLINDER VOLUME - cu. ft. (liters)	18.7 (530)		
DOOR OPENING SIZE - in (mm)	26.9 (683)		
ENERGY DATA	Gas Models - Per Pocket	130,000 Btu/hr	
	Steam Models - Per Pocket	113,600 Btu/hr	
	Electric Models	30kW	
GAS CONNECTIONS - in (npt)	0.5		
PLUMBING CONNECTIONS - STEAM - in (npt)	0.75		
AIR OUTLET - in (mm)	8 (200)		
MOTOR -hp	Fan	0.5	
	Cylinder	0.5	
AIRFLOW - cfm	700		
ELECTRICAL SPECS - amps	Gas & Steam		
	B	100-120V/50/60/1	9
	X	200-240V/50/60/1/3	6
	N	440-480V/50/60/3	3
	P	380-415V/50/60/3	3
	Electric		
	E	230-240V/50/60/1	91
	F	200-208V/50/60/3	87
	G	230-240V/50/60/3	75
	H	380V/50/60/3	47
	J	400-415V/50/60/3	43
	K	440V/50/60/3	41
	L	460-480V/50/60/3	38
SHIPPING DIMENSIONS	Width	41.5 (1050)	
	Depth	50 (1270)	
	Height	Gas & Electric - 81 (2060) Steam - 83.5 (2120)	
APPROX. - in (mm)	Width	41.5 (1050)	
	Depth	50 (1270)	
	Height	Gas & Electric - 81 (2060) Steam - 83.5 (2120)	
NET WEIGHT - lb (kg)	Gas	650 (295)	
	Electric	690 (315)	
	Steam	680 (310)	
SHIPPING WEIGHT - lb (kg)	Gas	700 (320)	
	Electric	740 (335)	
	Steam	730 (330)	
AGENCY APPROVALS	CSA		



A.	OVERALL WIDTH - in (mm)	38.5 (980)
B.	OVERALL DEPTH - in (mm)	46.8 (1190)
C.	OVERALL HEIGHT - in (mm)	77.3 (1960)
D.	DOOR BOTTOM TO FLOOR - in (mm)	29.2 (740)
E.	DOOR SWING - in (mm)	33.9 (860)

Tumble dryer models are made to suit a variety of electrical service characteristics. See your Speed Queen distributor for specifications. For further details on installation, refer to Installation, Operation and Maintenance instructions supplied with the tumble dryer. Amperage ratings available in Installation Manual.

For the most accurate information, the installation guide should be used for all design and construction purposes. Due to continuous product improvements, design and specifications subject to change without notice. The quality management system of Alliance Laundry Systems' Ripon facility has been registered to ISO 9001:2008.