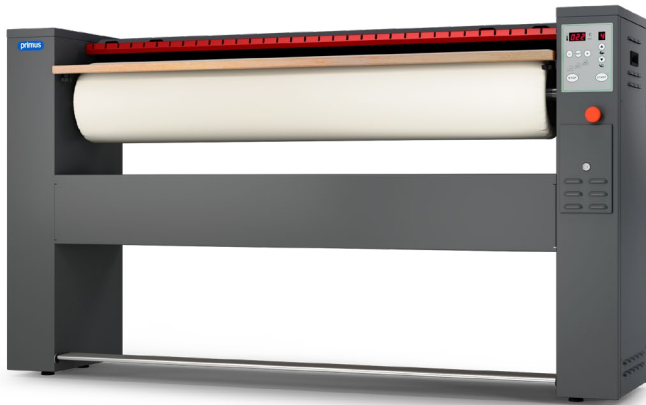


ON-PREMISES  
FLATWORK FINISHER

110

55"

1  
RANGE



FEATURES

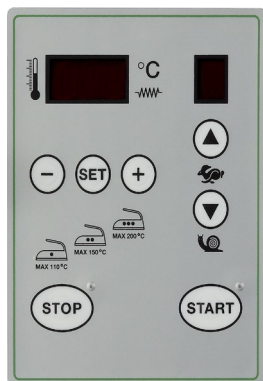
- Frequency - controlled motor
- Suspended roll
- Nomex ironing belts
- Polished steel cylinders maintain even heat
- Heavy-duty steel frame
- Optimized exhaust system
- Finger guards
- Safety handle
- Available in 10" roll
- Finished widths come in 55"

CONTROL

- Microprocessor control
- Easy to operate
- Temperatures can be set up to 355 degrees

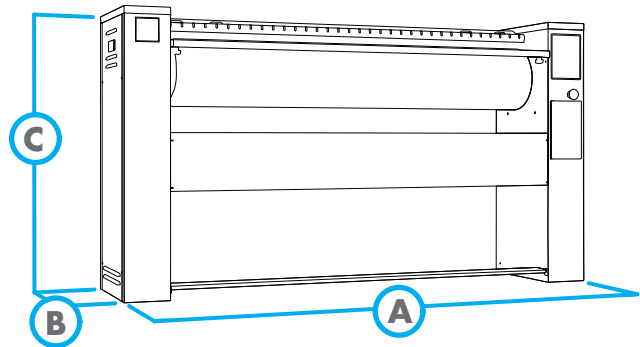


LOW ENERGY  
CONSUMPTION



| MODEL   |  | I10           |
|---|--|---------------|
| ROLL DIAMETER - in (mm)                           |  | 10 (254)      |
| FINISHING WIDTH - in (mm)                         |  | 55 (1400)     |
| IRONING SPEED - ft/m (m/m)                        |  | 7-13 (2-4)    |
| IRONER DIMENSIONS<br>(working position) - in (mm) | Width                                      | 70.88 (1800)  |
|   | Depth                                      | 16.5 (420)    |
|   | Height                                     | 39.63 (1006)  |
| ROLL MOTOR - HP (kW)                              |  | 0.29 (0.215)  |
| EXHAUST DUCT - in (mm)                            |  | 2.17 (55)     |
| ELECTRIC HEATING                                  | E Heat Input Power - HP (kW)               | 11.3 (8.4)    |
|   | Electric Requirements -<br>Circuit Breaker | 230/60/3 - 25 |
| SHIPPING<br>DIMENSIONS - in (mm)                  | Height                                     | 45.25 (1150)  |
|   | Width                                      | 74 (1880)     |
|   | Depth                                      | 19.69 (500)   |
| SHIPPING WEIGHT - lb (kg)                         |  | 328 (149)     |
| NET WEIGHT - lb (kg)                              |  | 287 (130)     |
| APPROVALS   |  | ETL           |

| DIMENSIONS                  | I10             |
|-----------------------------|-----------------|
| A. OVERALL WIDTH - in (mm)  | 70.88<br>(1800) |
| B. OVERALL DEPTH - in (mm)  | 16.5<br>(420)   |
| C. OVERALL HEIGHT - in (mm) | 39.63<br>(1006) |



AY18-0001

For the most accurate information, the installation guide should be used for all design and construction purposes. Due to continuous product improvements, design and specifications subject to change without notice. The quality management system of Alliance Laundry Systems' Ripon facility has been registered to ISO 9001:2008.

© 2018 Alliance Laundry Systems LLC

[www.primuslaundry.com](http://www.primuslaundry.com)

**primus**

by Alliance Laundry Systems