

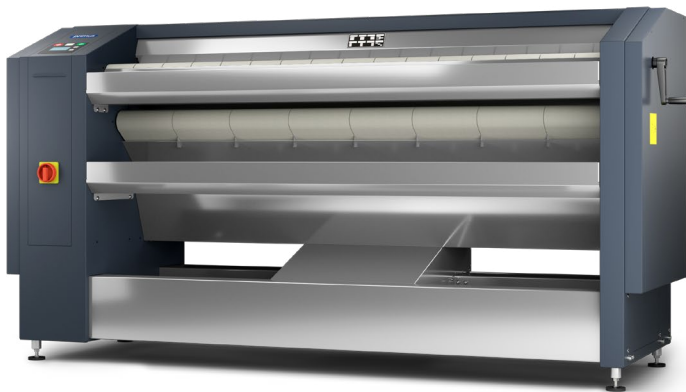
ON-PREMISES
FLATWORK FINISHER

13X66 13X82

66"

82"

FCU
RANGE



FEATURES

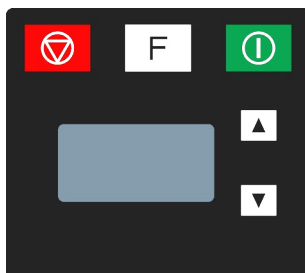
- Frequency - controlled motor
- Suspended roll
- Nomex ironing belts
- Polished steel cylinders maintain even heat
- Heavy-duty steel frame
- Optimized exhaust system
- Finger guards
- Safety handle
- Available in 13" rolls
- Finished widths come in 66" and 82"

CONTROL

- Microprocessor control
- Easy to operate
- Temperatures can be set up to 355 degrees

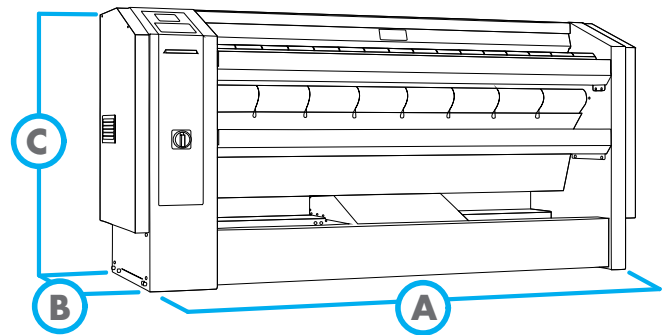


LOW ENERGY
CONSUMPTION



MODEL		FCU13X66	FCU13X82
ROLL DIAMETER - in (mm)		13 (320)	13 (320)
FINISHING WIDTH - in (mm)		66 (1664)	82 (2080)
IRONING SPEED - ft/m (m/m)		3-20 (1-6)	3-20 (1-6)
IRONER DIMENSIONS (working position) - in (mm)	Width	86.5 (2194)	102.75 (2610)
	Depth	30 (765)	30 (765)
	Height	43.75 (1110)	43.75 (1110)
ROLL MOTOR - HP (kW)		0.24 (0.18)	0.24 (0.18)
EXHAUST MOTOR - HP (kW)		0.17 (0.125)	0.17 (0.125)
EXHAUST DUCT - in (mm)		6 (150)	6 (150)
ELECTRIC HEATING	E Heat Input Power - HP (kW)	32.6 (24.3)	37.4 (27.9)
	Electric Requirements - Circuit Breaker	230/60/3 - 80	230/60/3 - 80
GAS HEATING	Max. Gas Input - Btu (kW)	85,303 (25)	102,364 (30)
	Gas Inlet - in (mm)	0.75 (19)	0.75 (19)
	Electric Requirements - Circuit Breaker	120/60/1 - 15	120/60/1 - 15
SHIPPING DIMENSIONS - in (mm)	Height	49.63 (1260)	49.63 (1260)
	Width	86.25 (2190)	102.75 (2610)
	Depth	31.5 (800)	31.5 (800)
SHIPPING WEIGHT - lb (kg)	Electric	1069 (485)	1235 (560)
	Gas	1025 (465)	1191 (540)
NET WEIGHT - lb (kg)	Electric	959 (435)	1080 (490)
	Gas	904 (410)	1025 (465)
APPROVALS		CSA	CSA

DIMENSIONS	FCU13X66	FCU13X82
A. OVERALL WIDTH - in (mm)	86.5 (2194)	102.75 (2610)
B. OVERALL DEPTH - in (mm)	30 (765)	30 (765)
C. OVERALL HEIGHT - in (mm)	43.75 (1110)	43.75 (1110)



AY18-0002

For the most accurate information, the installation guide should be used for all design and construction purposes. Due to continuous product improvements, design and specifications subject to change without notice. The quality management system of Alliance Laundry Systems' Ripon facility has been registered to ISO 9001:2008.

© 2018 Alliance Laundry Systems LLC

www.primuslaundry.com

primus

by Alliance Laundry Systems