

ON-PREMISES
FRONT LOAD WASHER

PFNE3RSP115TG01

21.5lb

REAR
CONTROL



FEATURES

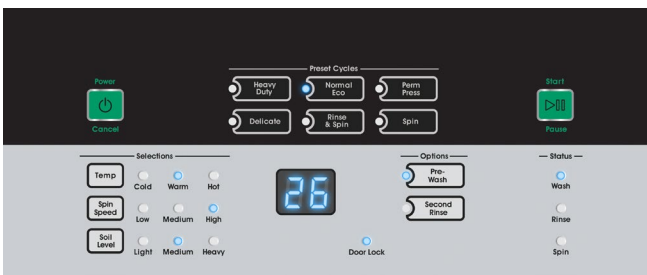
- Six factory presets with cycle modifiers that offer almost unlimited flexibility
- Time remaining countdown
- Low water usage
- Industry-leading 440 G-Force extraction
- Freestanding units can be installed on any floor and any level
- Suspension with out-of-balance logic
- Stainless steel cylinder
- Soap box with four compartments
- Door opens 180 degrees for easy loading and unloading
- Cycle modifier options include: Prewash and Second Rinse
- ADA certified



COMPACT
DESIGN

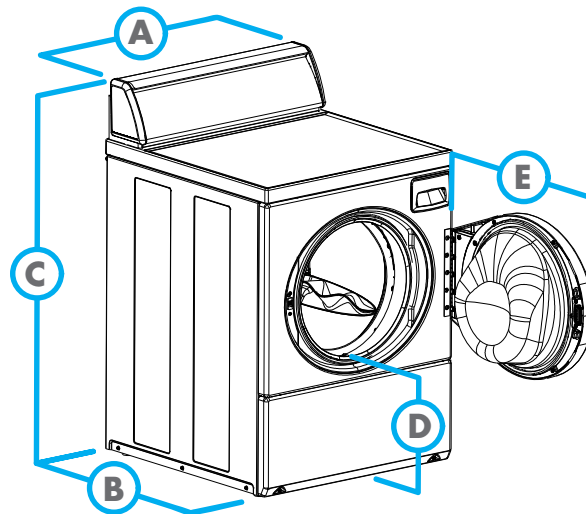


EASY
OPERATION



MODEL		PFNE3RSP115TG01
CONTROL OPTION	Electronic Homestyle	
CONTROL LOCATION	Rear	
CAPACITY - lb (kg)	21.5 (10)	
CYLINDER VOLUME - cu. ft. (liters)	3.42 (96.8)	
OVERALL WIDTH - in (mm)	26.88 (683)	
OVERALL DEPTH - in (mm)	27.73 (704)	
OVERALL HEIGHT - in (mm)	43 (1092)	
SPIN SPEED G-FORCE -RPM	440 (1200)	
MOTOR POWER CONSUMPTION - hp (kw) VARIABLE SPEED INDUCTION	0.9 (0.67)	
WATER CONSUMPTION PER CYCLE -g (l)	13.68 (51.8)	
IWF (Water Factor)	4.0	
IMEF (Modified Energy Factor)	2.20	
DRAIN	Pump	
ELECTRICAL CONNECTION - Voltage/Hz/Ph	120/60/1	
SHIPPING DIMENSIONS APPROX. - in (mm)	Width	30 (762)
	Depth	34 (864)
	Height	44.5 (1130)
NET WEIGHT - lb (kg)	260 (118)	
SHIPPING WEIGHT - lb (kg)	270 (122)	
AGENCY APPROVALS		

DIMENSIONS	
A. OVERALL WIDTH - in (mm)	26.88 (683)
B. OVERALL DEPTH - in (mm)	27.73 (704)
C. OVERALL HEIGHT - in (mm)	43 (1092)
D. FLOOR TO DOOR OPENING - in (mm)	14.63 (372)
C. DOOR SWING - in (mm)	24.06 (611)



AY18-0006

For the most accurate information, the installation guide should be used for all design and construction purposes. Due to continuous product improvements, design and specifications subject to change without notice. The quality management system of Alliance Laundry Systems' Ripon facility has been registered to ISO 9001:2008.

© 2018 Alliance Laundry Systems LLC

www.primuslaundry.com

primus

by Alliance Laundry Systems