

ON-PREMISES  
SINGLE LOAD DRYER

PDEE3BGS173TG01  
PDGE3BGS113TG01

18lb

FRONT  
CONTROL



FEATURES

- Six drying programs
- Large door opening for easy loading and unloading
- Reversible door
- Front access to vital parts for easy maintenance
- Galvanized steel cylinder
- Non-removable lint filter located in front for easy cleaning
- Powerful exhaust blower ensures short dry times and low operating costs
- Door opens 180 degrees
- Electric or gas heating
- Time remaining countdown
- ADA certified



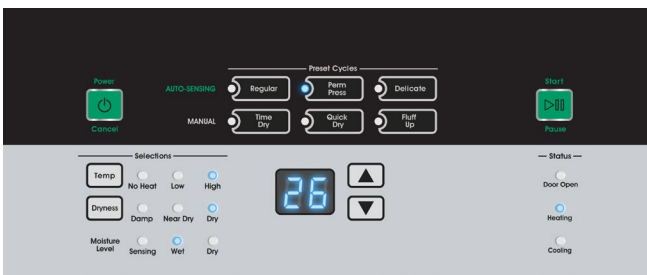
ERGONOMICAL  
CONSTRUCTION



LARGE DOOR  
OPENING

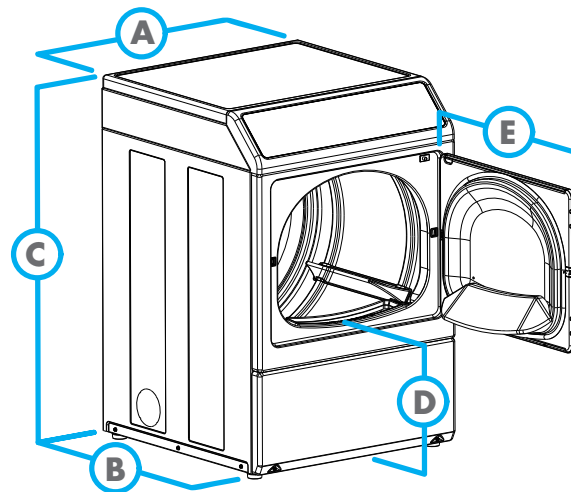


LOW WATER  
AND ENERGY  
CONSUMPTION



MODEL		PDEE3BGS173TG01 PDGE3BGS113TG01
CONTROL OPTION	Electronic Homestyle	
CONTROL LOCATION	Front	
CAPACITY - lb (kg)	18 (8.2)	
CYLINDER VOLUME - cu. ft. (liters)	7.0 (198)	
OVERALL WIDTH - in (mm)	26.88 (683)	
OVERALL DEPTH - in (mm)	28 (711)	
OVERALL HEIGHT - in (mm)	40.42 (1027)	
MOTOR POWER CONSUMPTION - hp (kw)	0.33 (0.25)	
ELECTRIC HEATING - kW	5.35	
GAS HEATING - BTU	22,500	
EXHAUST AIRFLOW - cfm (liters/sec)	220 (105)	
ELECTRICAL CONNECTION - Voltage/Hz/Ph	Electric	120/240/60/1
	Gas	120/60/1
SHIPPING DIMENSIONS APPROX. - in (mm)	Width	29.5 (749)
	Depth	30.5 (775)
	Height	45 (1143)
NET WEIGHT - lb (kg)	126 (57)	
SHIPPING WEIGHT - lb (kg)	136 (62)	
AGENCY APPROVALS	cULus / cCSAus	

DIMENSIONS	
A. OVERALL WIDTH - in (mm)	26.88 (683)
B. OVERALL DEPTH - in (mm)	28 (711)
C. OVERALL HEIGHT - in (mm)	40.42 (1027)
D. FLOOR TO DOOR OPENING - in (mm)	15.44 (392)
E. DOOR SWING - in (mm)	23.5 (597)



AY18-0007

For the most accurate information, the installation guide should be used for all design and construction purposes. Due to continuous product improvements, design and specifications subject to change without notice. The quality management system of Alliance Laundry Systems' Ripon facility has been registered to ISO 9001:2008.

© 2018 Alliance Laundry Systems LLC

[www.primuslaundry.com](http://www.primuslaundry.com)

**primus**

by Alliance Laundry Systems