

ON-PREMISES  
SINGLE LOAD DRYER

PDEE4RGS173TG01  
PDGE4RGS113TG01

18lb

REAR  
CONTROL



FEATURES

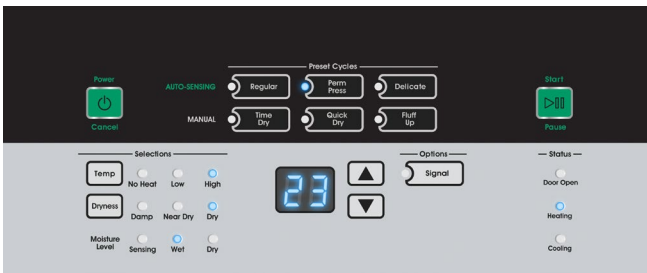
- Six drying programs
- Large door opening for easy loading and unloading
- Reversible door
- Front access to vital parts for easy maintenance
- Galvanized steel cylinder
- Non-removable lint filter located in front for easy cleaning
- Powerful exhaust blower ensures short dry times and low operating costs
- Door opens 180 degrees for easy access
- Electric or gas heating
- Time remaining countdown



COMPACT  
DESIGN

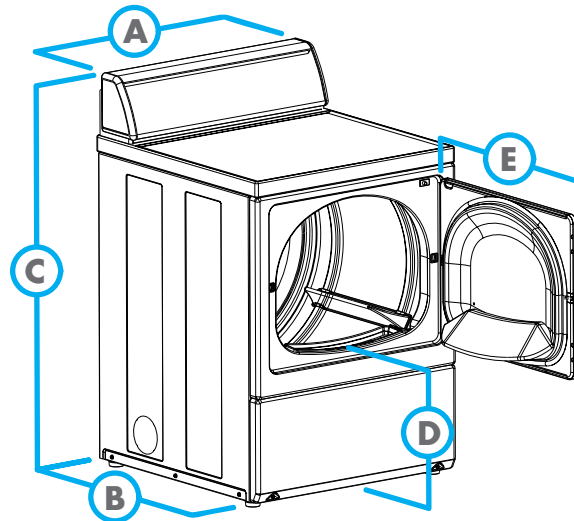


EASY  
OPERATION



MODEL		PDEE4RGS173TG01 PDGE4RGS113TG01
CONTROL OPTION		Electronic Homestyle
CONTROL LOCATION		Rear
CAPACITY - lb (kg)		18 (8.2)
CYLINDER VOLUME - cu. ft. (liters)		7.0 (198)
OVERALL WIDTH - in (mm)		26.88 (683)
OVERALL DEPTH - in (mm)		28 (711)
OVERALL HEIGHT - in (mm)		43 (1092)
MOTOR POWER CONSUMPTION - hp (kw)		0.33 (0.25)
ELECTRIC HEATING - kW		5.35
GAS HEATING - BTU		22,500
ELECTRICAL CONNECTION - Voltage/Hz/Ph		120/240/60/1
SHIPPING DIMENSIONS APPROX. - in (mm)		Width Depth Height
		29.5 (749) 30.5 (775) 45 (1143)
NET WEIGHT - lb (kg)		130 (59)
SHIPPING WEIGHT - lb (kg)		140 (64)
AGENCY APPROVALS		

DIMENSIONS	
A. OVERALL WIDTH - in (mm)	26.88 (683)
B. OVERALL DEPTH - in (mm)	28 (711)
C. OVERALL HEIGHT - in (mm)	43 (1092)
D. FLOOR TO DOOR OPENING - in (mm)	15.44 (392)
E. DOOR SWING - in (mm)	23.5 (597)



AY18-0008

For the most accurate information, the installation guide should be used for all design and construction purposes. Due to continuous product improvements, design and specifications subject to change without notice. The quality management system of Alliance Laundry Systems' Ripon facility has been registered to ISO 9001:2008.

© 2018 Alliance Laundry Systems LLC

[www.primuslaundry.com](http://www.primuslaundry.com)

**primus**

by Alliance Laundry Systems