

ON-PREMISES  
TOP LOAD WASHER

PWNE12PP115TG01

16lb

REAR  
CONTROL



FEATURES

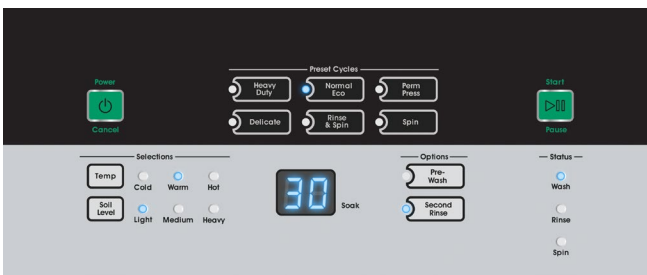
- High speed extract of 710 RPM
- Time remaining countdown
- Lid does not lock during cycle allowing access to clothes or to add softener
- Self-adjusting leveling legs
- Automatic balancing suspension system
- Front access to vital parts for easy maintenance
- Available in Anthracite Grey



COMPACT  
DESIGN

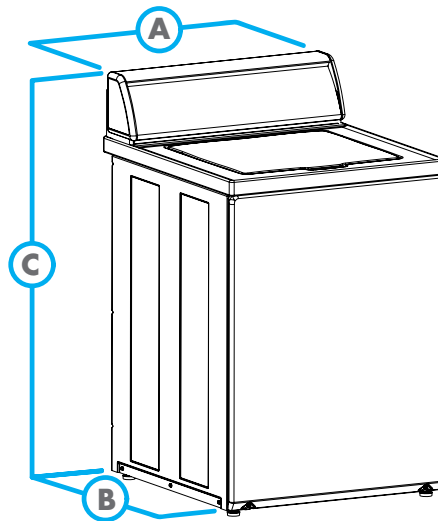


EASY  
OPERATION



MODEL	PWNE12PP115TG01	
CONTROL OPTION	Electronic Homestyle	
CONTROL LOCATION	Rear	
CAPACITY - lb (kg)	16 (7.3)	
CYLINDER VOLUME - cu. ft. (liters)	3.19 (90)	
OVERALL WIDTH - in (mm)	25.63 (651)	
OVERALL DEPTH - in (mm)	28 (711)	
OVERALL HEIGHT - in (mm)	43 (1092)	
SPIN SPEED G-FORCE -RPM	150 (710)	
MOTOR POWER CONSUMPTION - hp (kw)	0.5 (0.37)	
WATER CONSUMPTION PER CYCLE -g (l)	28.07 (106)	
IWF (Water Factor)	8.8	
IMEF (Modified Energy Factor)	1.35	
DRAIN	Pump	
ELECTRICAL CONNECTION - Voltage/Hz/Ph	120/60/1	
SHIPPING DIMENSIONS APPROX. - in (mm)	Width	30 (762)
	Depth	45 (1143)
	Height	28 (711)
NET WEIGHT - lb (kg)	186 (84)	
SHIPPING WEIGHT - lb (kg)	196 (89)	
AGENCY APPROVALS		

DIMENSIONS	
A. OVERALL WIDTH - in (mm)	25.63 (651)
B. OVERALL DEPTH - in (mm)	28 (711)
C. OVERALL HEIGHT - in (mm)	43 (1092)



AY18-0009

For the most accurate information, the installation guide should be used for all design and construction purposes. Due to continuous product improvements, design and specifications subject to change without notice. The quality management system of Alliance Laundry Systems' Ripon facility has been registered to ISO 9001:2008.

© 2018 Alliance Laundry Systems LLC

[www.primuslaundry.com](http://www.primuslaundry.com)

**primus**

by Alliance Laundry Systems