

ON-PREMISES
SINGLE TUMBLE DRYER

PT035

35lb

PT
RANGE



FEATURES

- Easy-to-use digital control
- Electric, gas and steam heating
- Large door opening for easy loading and unloading
- Galvanized cylinder
- Axial airflow
- Large self-cleaning lint screen
- Fits through 36" door opening

OPTIONS

- Reversing cylinder to avoid tangling of large items
- Stainless steel cylinder
- Stainless steel front panel
- Sensodry+® over-dry prevention technology lowers energy, utility and linen replacement costs
- SafeTech™ Fire Suppression System, a multi-port water manifold system, will saturate linens in an unlikely event of fire within the cylinder



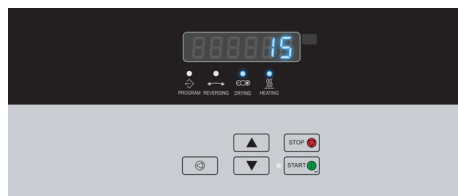
FAST DRYING



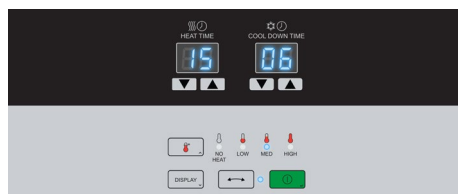
EASY
OPERATION



SERVICE
FRIENDLY



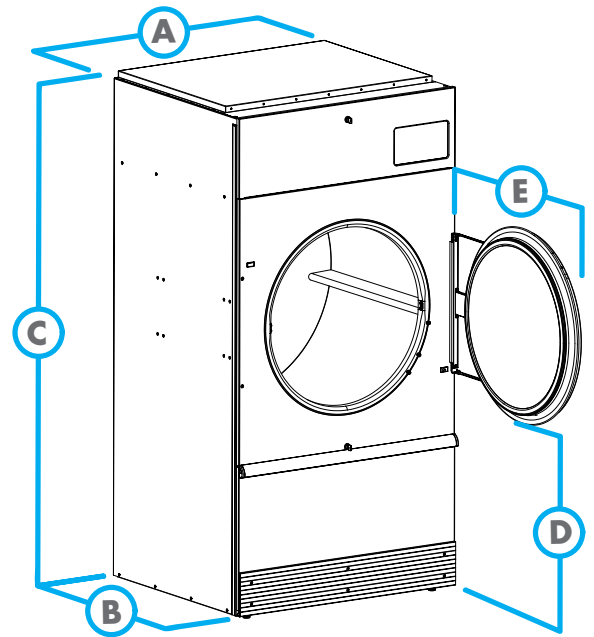
XQ Control



Dual Digital Control

GET AHEAD IN LAUNDRY 

| MODEL | | PT035 |
|------------------------------------|--|----------------------|
| CONTROL OPTION | | XQ, DDC |
| CAPACITY - lb (kg) | | 35 (16) |
| OVERALL WIDTH - in (mm) | | 31.5 (800) |
| OVERALL DEPTH - in (mm) | | 46.87 (1190) |
| OVERALL HEIGHT - in (mm) | | 63.87 (1622) |
| CYLINDER DIAMETER - in (mm) | | 30 (762) |
| CYLINDER VOLUME - cu. ft. (liters) | | 12.3 (348) |
| DOOR OPENING SIZE - in (mm) | | 22.69 (576) |
| ENERGY DATA | Steam Models - 100 psi | 166,000 Btu/hr |
| | Electric Models | 24 kW |
| EXHAUST - in (mm) | | 8 (203) |
| GAS CONNECTIONS - in (npt) | | 0.5 |
| STEAM CONNECTIONS - in (npt) | | 0.75 |
| MOTOR - hp | Fan | 0.25 |
| | Drive | 0.25 |
| DRYING AVERAGE - lbs/min | Gas Heating | 0.73 |
| | Electric Heating | 0.74 |
| AIRFLOW - cfm | | 650 |
| ELECTRIC SPECS - amps | | Non Rev (Rev) |
| GAS & STEAM | 100/200-220/60/1 2W+G | 11.0/5.8 |
| | 120/208-240/60/1 2W/3W+G | 12.0/6.7 |
| | 200-208/240/60/3 3W+G | 3.2/3.2 (4.0/4.0) |
| | 380/60/3 3W+G | 1.5 (2.0) |
| | 440/60/3 3W+G | 1.6 (2.0) |
| | 460-480/60/3 3W+G | 1.6 (2.0) |
| ELECTRIC | 208/60/1 3W+G | 122 |
| | 240/60/1 3W+G | 107 |
| | 200/60/1 2W+G | 122 |
| | 200-208/60/3 3W+G | 71 (71) |
| | 240/60/3 3W+G | 62 (62) |
| | 380/60/3 3W+G | 38 (38) |
| | 440/60/3 3W+G | 33 (33) |
| | 460-480/60/3 3W+G | 31 (31) |
| | SHIPPING DIMENSIONS APPROX. - in (mm) | Width |
| | Depth | 49 (1245) |
| | Height | 69 (1753) |
| NET WEIGHT - lb (kg) | | 360 (163) |
| SHIPPING WEIGHT - lb (kg) | | 394 (177) |
| AGENCY APPROVALS | | cCSAus |



| DIMENSIONS | | PT035 |
|------------|--------------------------------|-----------------|
| A. | OVERALL WIDTH - in (mm) | 31.5 (800) |
| B. | OVERALL DEPTH - in (mm) | 46.87 (1190) |
| C. | OVERALL HEIGHT - in (mm) | 63.87 (1622) |
| D. | DOOR BOTTOM TO FLOOR - in (mm) | 27.5 (669) |
| E. | DOOR SWING - in (mm) | 28 (711) |

AY18-0032

For the most accurate information, the installation guide should be used for all design and construction purposes. Due to continuous product improvements, design and specifications subject to change without notice. The quality management system of Alliance Laundry Systems' Ripon facility has been registered to ISO 9001:2008.

© 2018 Alliance Laundry Systems LLC

www.primuslaundry.com

primus

by Alliance Laundry Systems