

ON-PREMISES
SINGLE TUMBLE DRYER

PT050

50lb

PT
RANGE



FEATURES

- Easy-to-use digital control
- Electric, gas and steam heating
- Large door opening for easy loading and unloading
- Galvanized cylinder
- Radial airflow
- Large self-cleaning lint screen

OPTIONS

- Reversing cylinder to avoid tangling of large items
- Stainless steel cylinder
- Stainless steel front panel
- Sensodry+® over-dry prevention technology lowers energy, utility and linen replacement costs
- SafeTech™ Fire Suppression System, a multi-port water manifold system, will saturate linens in an unlikely event of fire within the cylinder



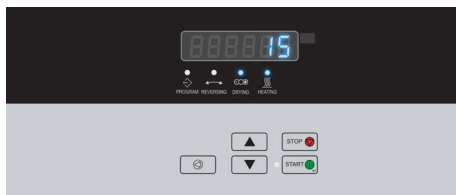
FAST DRYING



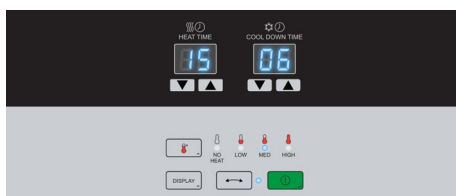
EASY
OPERATION



LARGE DOOR
OPENING



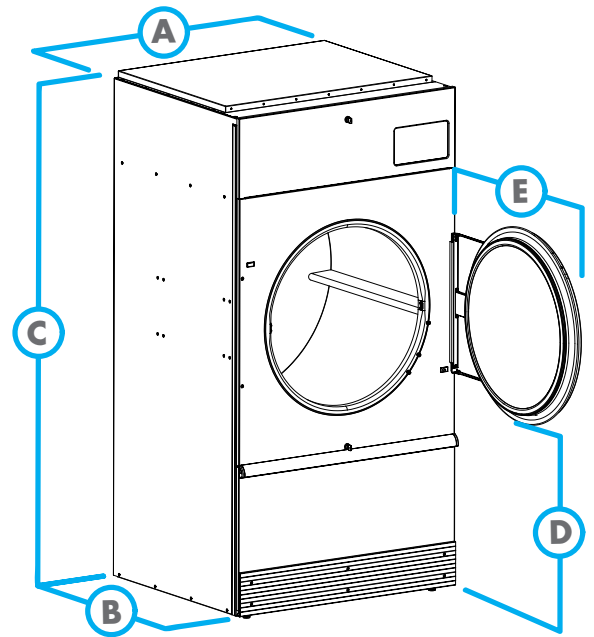
XQ Control



Dual Digital Control

GET AHEAD IN LAUNDRY 

MODEL		PT050
CONTROL OPTION		XQ, DDC
CAPACITY - lb (kg)		50 (23)
OVERALL WIDTH - in (mm)		38.5 (980)
OVERALL DEPTH - in (mm)		46.8 (1190)
OVERALL HEIGHT - in (mm)		77.3 (1960)
CYLINDER DIAMETER - in (mm)		37 (940)
CYLINDER VOLUME - cu. ft. (liters)		18.7 (530)
DOOR OPENING SIZE - in (mm)		26.88 (683)
ENERGY DATA	Steam Models - 100 psi	113,600 Btu/h
	Electric Models	30 kW
	Gas Models	130,000 Btu/h
EXHAUST - in (mm)		8 (203)
GAS CONNECTIONS - in (npt)		0.75
STEAM CONNECTIONS - in (npt)		0.75
MOTOR - hp	Fan	0.5
	Drive	0.5
DRYING AVERAGE - lbs/min	Gas Heating	1
	Electric Heating	0.85
AIRFLOW - cfm		700
ELECTRIC SPECS - amps		
GAS & STEAM	100-120V/50-60Hz/1Ph	9
	200-240V/50-60Hz/1-3Ph	6
	440-480V/50-60Hz/3Ph	3
	380-415V/50-60Hz/3Ph	3
ELECTRIC	230-240V/50-60Hz/1Ph	91
	200-208V/50-60Hz/3Ph	87
	230-240V/50-60Hz/3Ph	75
	380V/50-60Hz/3Ph	47
	400-415V/50-60Hz/3Ph	43
	440V/50-60Hz/3Ph	41
SHIPPING DIMENSIONS APPROX. - in (mm)	Width	41.5 (1050)
	Depth	50 (1270)
	Height	81 (2060)
NET WEIGHT - lb (kg)	Gas	650 (295)
	Steam	690 (315)
	Electric	380 (310)
SHIPPING WEIGHT - lb (kg)	Gas	700 (320)
	Steam	740 (335)
	Electric	730 (330)
AGENCY APPROVALS		cCSAus



DIMENSIONS		PT050
A.	OVERALL WIDTH - in (mm)	38.5 (980)
B.	OVERALL DEPTH - in (mm)	46.8 (1190)
C.	OVERALL HEIGHT - in (mm)	77.3 (1960)
D.	DOOR BOTTOM TO FLOOR - in (mm)	29.2 (740)
E.	DOOR SWING - in (mm)	33.9 (860)

AY18-0034

For the most accurate information, the installation guide should be used for all design and construction purposes. Due to continuous product improvements, design and specifications subject to change without notice. The quality management system of Alliance Laundry Systems' Ripon facility has been registered to ISO 9001:2008.

© 2018 Alliance Laundry Systems LLC

www.primuslaundry.com

primus

by Alliance Laundry Systems