

ON-PREMISES
SINGLE TUMBLE DRYER

PT075

75lb

PT
RANGE



FEATURES

- Easy-to-use digital control
- Electric, gas and steam heating
- Large door opening for easy loading and unloading
- Galvanized cylinder
- Radial airflow
- Large self-cleaning lint screen

OPTIONS

- Reversing cylinder to avoid tangling of large items
- Stainless steel cylinder
- Stainless steel front panel
- Sensodry+® over-dry prevention technology lowers energy, utility and linen replacement costs
- SafeTech™ Fire Suppression System, a multi-port water manifold system, will saturate linens in an unlikely event of fire within the cylinder



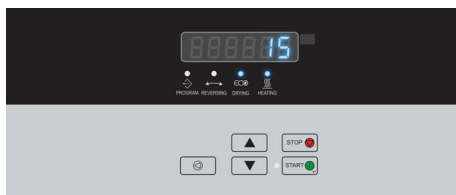
FAST DRYING



EASY
OPERATION



LARGE DOOR
OPENING



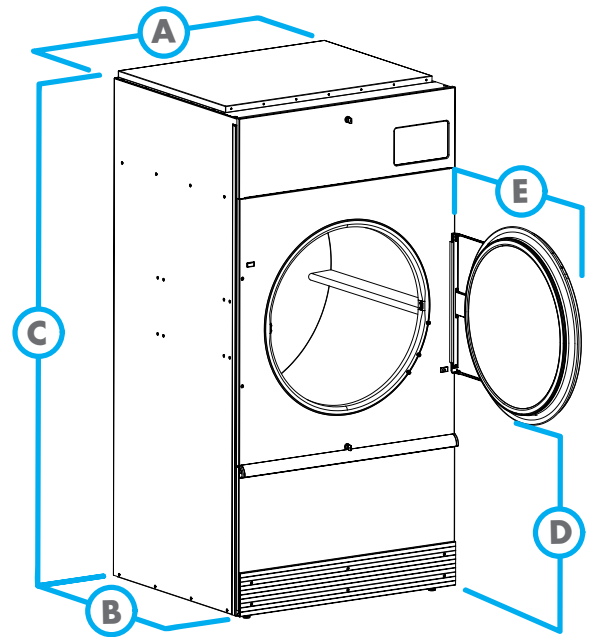
XQ Control



Dual Digital Control

GET AHEAD IN LAUNDRY 

MODEL		PT075
CONTROL OPTION		XQ, DDC
CAPACITY - lb (kg)		75 (34)
OVERALL WIDTH - in (mm)		38.5 (980)
OVERALL DEPTH - in (mm)		53 (1350)
OVERALL HEIGHT - in (mm)		77.3 (1960)
CYLINDER DIAMETER - in (mm)		37 (940)
CYLINDER VOLUME - cu. ft. (liters)		22.4 (634)
DOOR OPENING SIZE - in (mm)		26.88 (683)
ENERGY DATA		
Steam Models - 100 psi		133,900 Btu/h
Electric Models		36 kW
Gas Models		165,000 Btu/h
EXHAUST - in (mm)		8 (203)
GAS CONNECTIONS - in (npt)		0.75
STEAM CONNECTIONS - in (npt)		0.75
MOTOR - hp		
Fan		0.5
Drive		0.5
DRYING AVERAGE - lbs/min		
Gas Heating		1.36
Electric Heating		0.82
AIRFLOW - cfm		
Gas/Steam		800
Electric		800
ELECTRIC SPECS - amps		
GAS & STEAM		
100-120V/50-60Hz/1Ph		12
200-240V/50-60Hz/1-3Ph		7
440-480V/50-60Hz/3Ph		3
380-415V/50-60Hz/3Ph		3
ELECTRIC		
200-208V/50-60Hz/3Ph		104
230-240V/50-60Hz/3Ph		90
380V/50-60Hz/3Ph		56
400-415V/50-60Hz/3Ph		52
440V/50-60Hz/3Ph		49
460-480V/50-60Hz/3Ph		45
SHIPPING DIMENSIONS APPROX. - in (mm)		
Width		41.5 (1054)
Depth		56 (1420)
Height		81 (2060)
NET WEIGHT - lb (kg)		
Gas		680 (310)
Steam		720 (325)
Electric		710 (320)
SHIPPING WEIGHT - lb (kg)		
Gas		730 (330)
Steam		770 (350)
Electric		760 (340)
AGENCY APPROVALS		cCSAus



DIMENSIONS		PT075
A.	OVERALL WIDTH - in (mm)	38.5 (980)
B.	OVERALL DEPTH - in (mm)	53 (1350)
C.	OVERALL HEIGHT - in (mm)	77.3 (1960)
D.	DOOR BOTTOM TO FLOOR - in (mm)	29.2 (740)
E.	DOOR SWING - in (mm)	33.9 (860)

AY18-0035

For the most accurate information, the installation guide should be used for all design and construction purposes. Due to continuous product improvements, design and specifications subject to change without notice. The quality management system of Alliance Laundry Systems' Ripon facility has been registered to ISO 9001:2008.

© 2018 Alliance Laundry Systems LLC

www.primuslaundry.com

primus

by Alliance Laundry Systems