

# ON-PREMISES SINGLE TUMBLE DRYER

**PT120**

120lb

**PT**  
RANGE

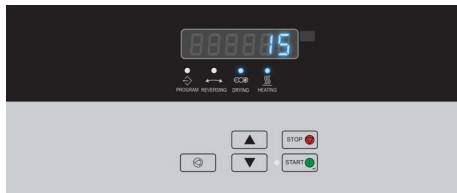


## FEATURES

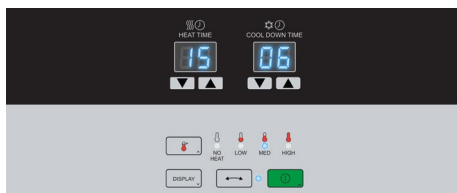
- Easy-to-use digital control
- Electric, gas and steam heating
- Large door opening for easy loading and unloading
- Galvanized cylinder
- Radial airflow
- Standard reversing cylinder to avoid tangling of large items
- Large self-cleaning lint screen
- Preheating of intake air

## OPTIONS

- Stainless steel cylinder
- Stainless steel front panel
- Sensodry+® over-dry prevention technology lowers energy, utility and linen replacement costs
- SafeTech™ Fire Suppression System, a multi-port water manifold system, will saturate linens in an unlikely event of fire within the cylinder



XQ Control



Dual Digital Control



FAST DRYING



LOW ENERGY  
CONSUMPTION

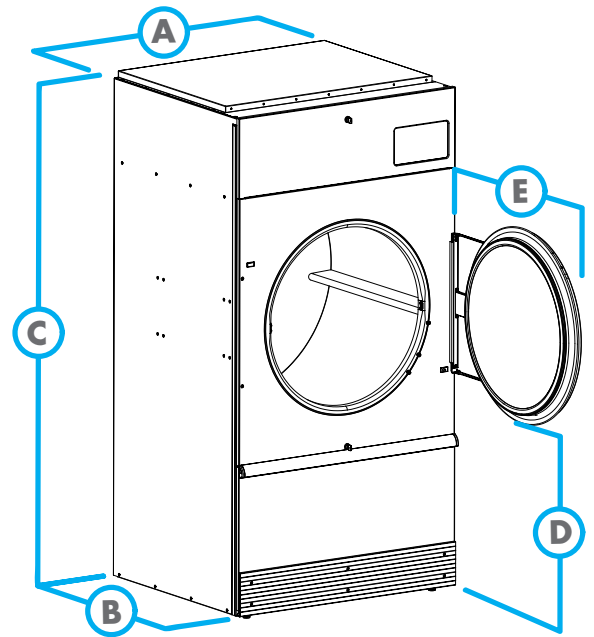


LARGE DOOR  
OPENING

**GET AHEAD** IN LAUNDRY 

MODEL		PT120
CONTROL OPTION		XQ, DDC
CAPACITY - lb (kg)		120 (54)
OVERALL WIDTH - in (mm)		46.38 (1178)
OVERALL DEPTH - in (mm)		67.92 (1725)
OVERALL HEIGHT - in (mm)	Gas/Electric	85.7 (2177)
	Steam	83.5 (2121)
CYLINDER DIAMETER - in (mm)		44 (1118)
CYLINDER VOLUME - cu. ft. (liters)		36.1 (1022)
DOOR OPENING SIZE - in (mm)		26.88 (683)
ENERGY DATA	Steam Models - 100 psi	405,000 Btu/h
	Electric Models	60 kW
	Gas Models	270,000 Btu/h
EXHAUST - in (mm)		10 (254)
GAS CONNECTIONS - one manifold - in (npt)		1
STEAM CONNECTIONS - in (npt)		0.75
MOTOR - hp	Fan	1
	Drive	0.75
DRYING AVERAGE - lbs/min	Gas Heating	1.94
	Electric Heating	1.77
AIRFLOW - cfm		1600
ELECTRIC SPECS - amps		Rev
GAS & STEAM	200-208/240/60/3 3W+G	7.7
	380/60/3 3W+G	4.1
	*Steam Only - 440/60/3 3W+G	3.8
	460-480/60/3 3W+G	3.9
ELECTRIC	240/60/3 3W+G	152
	380/60/3 3W+G	94.5
	480/60/3 3W+G	76.1
SHIPPING DIMENSIONS APPROX. - in (mm)	Width	48.5 (1232)
	Depth	71.5 (1816)
	Height	90 (2286)
NET WEIGHT - lb (kg)	Gas/Electric	1275 (578)
	Steam	1375 (624)
SHIPPING WEIGHT - lb (kg)	Gas/Electric	1338 (607)
	Steam	1446 (656)
AGENCY APPROVALS		cCSAus

\*The data concerning dimensions of machines includes all extended parts.



DIMENSIONS		PT120
A.	OVERALL WIDTH - in (mm)	46.38 (1178)
B.	OVERALL DEPTH - in (mm)	67.92 (1725)
C.	OVERALL HEIGHT - in (mm)	Gas/Electric 85.7 (2177) Steam 83.5 (2121)
D.	DOOR BOTTOM TO FLOOR - in (mm)	31.38 (797)
E.	DOOR SWING - in (mm)	32.5 (826)

AY18-0036

For the most accurate information, the installation guide should be used for all design and construction purposes. Due to continuous product improvements, design and specifications subject to change without notice. The quality management system of Alliance Laundry Systems' Ripon facility has been registered to ISO 9001:2008.

© 2018 Alliance Laundry Systems LLC

[www.primuslaundry.com](http://www.primuslaundry.com)

**primus**

by Alliance Laundry Systems