

ON-PREMISES
SINGLE TUMBLE DRYER

PT170

170lb

PT
RANGE



FEATURES

- Easy-to-use digital control
- Electric, gas and steam heating
- Large door opening for easy loading and unloading
- Galvanized cylinder
- Radial airflow
- Standard reversing cylinder to avoid tangling of large items
- Large self-cleaning lint screen
- Preheating of intake air

OPTIONS

- Stainless steel cylinder
- Stainless steel front panel
- Sensodry+® over-dry prevention technology lowers energy, utility and linen replacement costs
- SafeTech™ Fire Suppression System, a multi-port water manifold system, will saturate linens in an unlikely event of fire within the cylinder



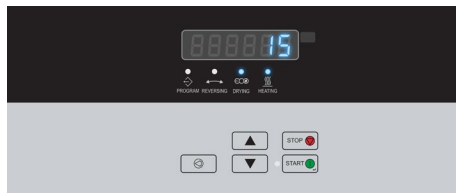
FAST DRYING



LOW ENERGY
CONSUMPTION



LARGE DOOR
OPENING



XQ Control

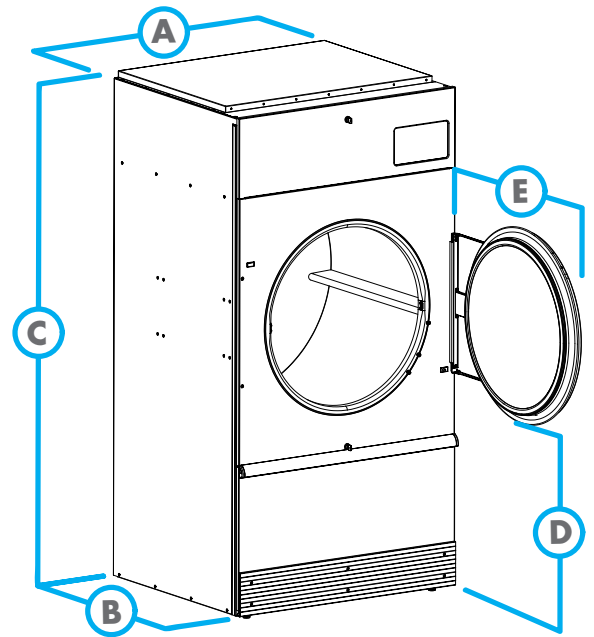


Dual Digital Control

GET AHEAD IN LAUNDRY 

MODEL		PT170
CONTROL OPTION		XQ, DDC
CAPACITY - lb (kg)		170 (77)
OVERALL WIDTH - in (mm)		53.12 (1349)
OVERALL DEPTH - in (mm)		68.85 (1749)
OVERALL HEIGHT - in (mm)		94 (2388)
CYLINDER DIAMETER - in (mm)		50.75 (1289)
CYLINDER VOLUME - cu. ft. (liters)		49.7 (1407)
DOOR OPENING SIZE - in (mm)		26.88 (683)
ENERGY DATA		Steam Models - 100 psi Gas Models
		648,000 Btu/h 395,000 Btu/h
EXHAUST - in (mm)		12 (305)
GAS CONNECTIONS - one manifold - in (npt)		1
STEAM CONNECTIONS - in (npt)		0.75
MOTOR - hp		Fan 3 Drive 0.75
DRYING AVERAGE - lbs/min		3.08
AIRFLOW - cfm		2450
ELECTRIC SPECS - amps		Rev
GAS & STEAM		200-208/240/60/3 3W+G 13.5 380/60/3 3W+G 6.9 *Steam Only - 440/60/3 3W+G 6.4 460-480/60/3 3W+G 6.7
SHIPPING DIMENSIONS APPROX. - in (mm)		Width 55.6 (1412) Depth 73.75 (1873) Height 99 (2515)
NET WEIGHT - lb (kg)		Gas 1575 (714) Steam 1675 (760)
SHIPPING WEIGHT - lb (kg)		Gas 1667 (756) Steam 1776 (806)
AGENCY APPROVALS		cCSAus

*The data concerning dimensions of machines includes all extended parts.



DIMENSIONS	PT170
A. OVERALL WIDTH - in (mm)	53.12 (1349)
B. OVERALL DEPTH - in (mm)	68.85 (1749)
C. OVERALL HEIGHT - in (mm)	94 (2388)
D. DOOR BOTTOM TO FLOOR - in (mm)	33.88 (860)
E. DOOR SWING - in (mm)	32.5 (826)

AY18-0037

For the most accurate information, the installation guide should be used for all design and construction purposes. Due to continuous product improvements, design and specifications subject to change without notice. The quality management system of Alliance Laundry Systems' Ripon facility has been registered to ISO 9001:2008.

© 2018 Alliance Laundry Systems LLC

www.primuslaundry.com

primus

by Alliance Laundry Systems