

ON-PREMISES  
SINGLE TUMBLE DRYER

PT200

200lb

PT  
RANGE



FEATURES

- Easy-to-use digital control
- Electric, gas and steam heating
- Large door opening for easy loading and unloading
- Galvanized cylinder
- Radial airflow
- Standard reversing cylinder to avoid tangling of large items
- Large self-cleaning lint screen
- Preheating of intake air

OPTIONS

- Stainless steel cylinder
- Stainless steel front panel
- Sensodry+® over-dry prevention technology lowers energy, utility and linen replacement costs
- SafeTech™ Fire Suppression System, a multi-port water manifold system, will saturate linens in an unlikely event of fire within the cylinder



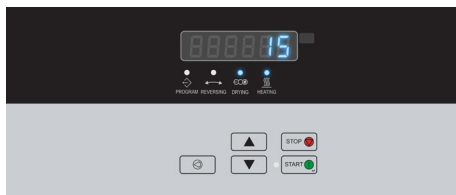
FAST DRYING



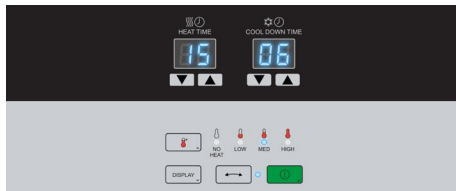
LOW ENERGY  
CONSUMPTION



LARGE DOOR  
OPENING



XQ Control

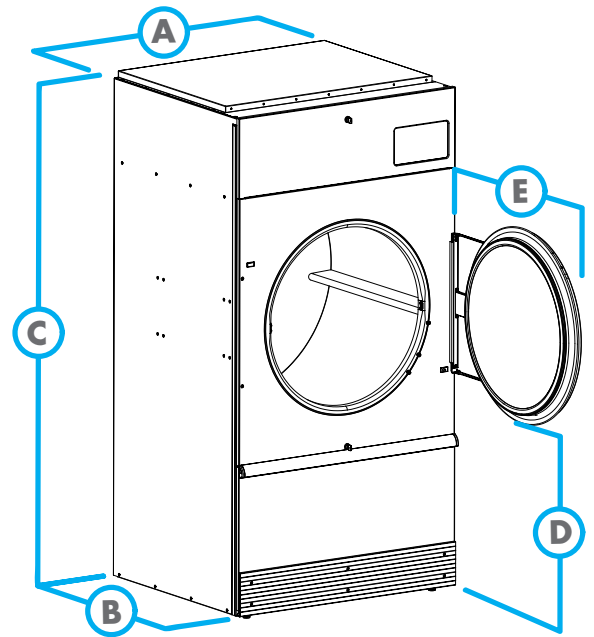


Dual Digital Control

GET AHEAD IN LAUNDRY

| MODEL                                     |  | PT200  |
|---|--|--|
| CONTROL OPTION                            |  | XQ, DDC  |
| CAPACITY - lb (kg)                        |  | 200 (91)   |
| OVERALL WIDTH - in (mm)                   |  | 53.12 (1349)   |
| OVERALL DEPTH - in (mm)                   |  | 76.35 (1939)   |
| OVERALL HEIGHT - in (mm)                  |  | 94 (2388)  |
| CYLINDER DIAMETER - in (mm)               |  | 50.75 (1289)   |
| CYLINDER VOLUME - cu. ft. (liters)        |  | 58.5 (1657)  |
| DOOR OPENING SIZE - in (mm)               |  | 26.88 (683)  |
| ENERGY DATA                               |  | Steam Models - 100 psi<br>Gas Models   |
|   |  | 648,000 Btu/h<br>425,000 Btu/h   |
| EXHAUST - in (mm)                         |  | 12 (305)   |
| GAS CONNECTIONS - one manifold - in (npt) |  | 1  |
| STEAM CONNECTIONS - in (npt)              |  | 0.75   |
| MOTOR - hp                                |  | Fan 3<br>Drive 0.75  |
| DRYING AVERAGE - lbs/min                  |  | 3.41   |
| AIRFLOW - cfm                             |  | 2450   |
| ELECTRIC SPECS - amps                     |  | Rev  |
| GAS & STEAM                               |  | 200-208/240/60/3 3W+G 14<br>*Steam Only - 440/60/3 3W+G 7<br>460-480/60/3 3W+G 7 |
| SHIPPING DIMENSIONS APPROX.               |  | Width 55.6 (1412)<br>Depth 81.25 (2064)<br>Height 99 (2515)                      |
| NET WEIGHT - lb (kg)                      |  | Gas 1741 (790)<br>Steam 1808 (820)   |
| SHIPPING WEIGHT - lb (kg)                 |  | Gas 1818 (825)<br>Steam 1885 (855)   |
| AGENCY APPROVALS                          |  | cCSAus   |

\*The data concerning dimensions of machines includes all extended parts.



| DIMENSIONS |                                | PT200        |
|------------|--------------------------------|--------------|
| A.         | OVERALL WIDTH - in (mm)        | 53.12 (1349) |
| B.         | OVERALL DEPTH - in (mm)        | 76.35 (1939) |
| C.         | OVERALL HEIGHT - in (mm)       | 94 (2388)    |
| D.         | DOOR BOTTOM TO FLOOR - in (mm) | 33.88 (860)  |
| E.         | DOOR SWING - in (mm)           | 32.5 (826)   |

AY18-0038

For the most accurate information, the installation guide should be used for all design and construction purposes. Due to continuous product improvements, design and specifications subject to change without notice. The quality management system of Alliance Laundry Systems' Ripon facility has been registered to ISO 9001:2008.

© 2018 Alliance Laundry Systems LLC

[www.primuslaundry.com](http://www.primuslaundry.com)

**primus**

by Alliance Laundry Systems