

ON-PREMISES  
STACK TUMBLE DRYER

PTT30

30lb

PTT  
RANGE



FEATURES

- Easy-to-use digital control
- Double capacity within the same footprint
- Gas, electric and steam heating
- Large door opening for easy loading and unloading
- Galvanized cylinder
- Axial airflow
- Large lint filter
- Fits through 36" door opening

OPTIONS

- Stainless steel cylinder
- Stainless steel front panel
- Sensodry+® over-dry prevention technology lowers energy, utility and linen replacement costs



DOUBLE  
CAPACITY



EASY  
OPERATION



LARGE DOOR  
OPENING



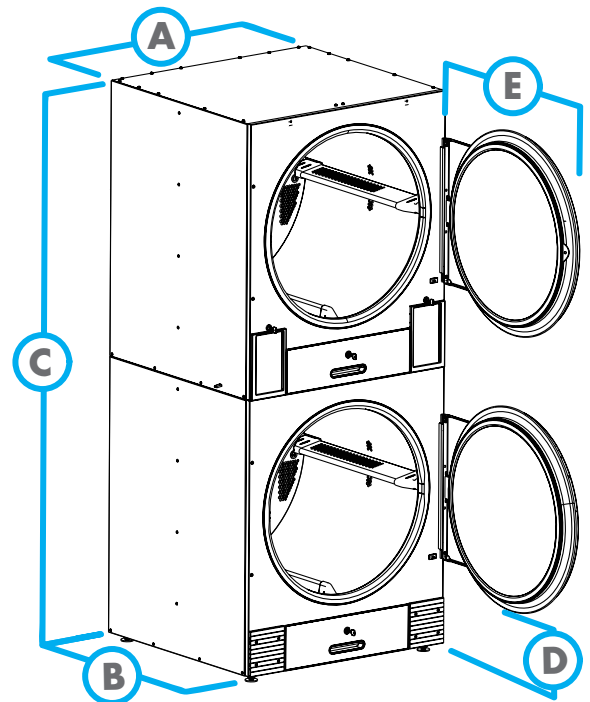
XQ Control



Dual Digital Control

GET AHEAD IN LAUNDRY

| MODEL                                     |                          | PTT30                     |
|---|--------------------------|---------------------------|
| CONTROL OPTION                            |                          | XQ, DDC                   |
| CAPACITY - lb (kg)                        |                          | 2x30 (2x14)               |
| OVERALL WIDTH - in (mm)                   |                          | 31.5 (800)                |
| OVERALL DEPTH - in (mm)                   |                          | 42.76 (1086)              |
| OVERALL HEIGHT - in (mm)                  |                          | 76.25 (1937)              |
| CYLINDER DIAMETER - in (mm)               |                          | 26.5 (673)                |
| CYLINDER VOLUME - cu. ft. (liters)        |                          | 2x9.6 (2x272)             |
| DOOR OPENING SIZE - in (mm)               |                          | 22.63 (575)               |
| ENERGY DATA                               | Steam Models - 100 psi   | 111,000 Btu/h             |
|   | Electric Models          | 21 kW                     |
|   | Gas Models               | 2x73,000 Btu/h            |
| EXHAUST - in (mm)                         |                          | 1x8                       |
| GAS CONNECTIONS - one manifold - in (npt) |                          | 0.5                       |
| STEAM CONNECTIONS - in (npt)              |                          | 0.75                      |
| MOTOR - hp                                | Fan                      | 2x0.25                    |
|   | Drive                    | 2x0.25                    |
| DRYING AVERAGE<br>- lbs/min               | Gas Heating              | 0.64                      |
|   | Electric Heating         | 0.69                      |
| AIRFLOW - cfm                             |                          | 400                       |
| ELECTRIC SPECS - amps                     |                          | Non Rev<br>(both pockets) |
| GAS & STEAM                               | 100/200-220/60/1 2W+G    | 22.0/11.6 total           |
|   | 120/208-240/60/1 2W/3W+G | 16.0/8.0 total            |
|   | 200-208/240/60/3 3W+G    | 6.4/6.4 total             |
|   | 380/60/3 3W+G            | 3.0 total                 |
|   | 440/60/3 3W+G            | 3.3 total                 |
| ELECTRIC                                  | 460-480/60/3 3W+G        | 3.3 total                 |
|   | 200-208/60/3 3W+G        | 62x2 - 124 total          |
|   | 240/60/3 3W+G            | 54x2 - 108 total          |
|   | 380/60/3 3W+G            | 33x2 - 66 total           |
|   | 440/60/3 3W+G            | 29x2 - 56 total           |
| SHIPPING DIMENSIONS APPROX.<br>- in (mm)  | Width                    | 32.5 (826)                |
|   | Depth                    | 47 (1194)                 |
|   | Height                   | 81 (2057)                 |
| NET WEIGHT - lb (kg)                      |                          | 550 (249)                 |
| SHIPPING WEIGHT - lb (kg)                 |                          | 582 (264)                 |
| AGENCY APPROVALS                          |                          | cCSAus                    |



| DIMENSIONS                        | PTT30           |
|-----------------------------------|-----------------|
| A. OVERALL WIDTH - in (mm)        | 31.5<br>(800)   |
| B. OVERALL DEPTH - in (mm)        | 42.76<br>(1086) |
| C. OVERALL HEIGHT - in (mm)       | 76.25<br>(1937) |
| D. DOOR BOTTOM TO FLOOR - in (mm) | 10.69<br>(272)  |
| E. DOOR SWING - in (mm)           | 28<br>(711)     |

AY18-0039

For the most accurate information, the installation guide should be used for all design and construction purposes. Due to continuous product improvements, design and specifications subject to change without notice. The quality management system of Alliance Laundry Systems' Ripon facility has been registered to ISO 9001:2008.

© 2018 Alliance Laundry Systems LLC

[www.primuslaundry.com](http://www.primuslaundry.com)

**primus**

by Alliance Laundry Systems