

ON-PREMISES
STACK TUMBLE DRYER

PTT45

45lb

PTT
RANGE



FEATURES

- Easy-to-use digital control
- Double capacity within the same footprint
- Gas heating
- Large door opening for easy loading and unloading
- Galvanized cylinder
- Axial airflow
- Large lint filter
- Fits through 36" door opening

OPTIONS

- Stainless steel cylinder
- Stainless steel front panel
- Sensodry+® over-dry prevention technology lowers energy, utility and linen replacement costs



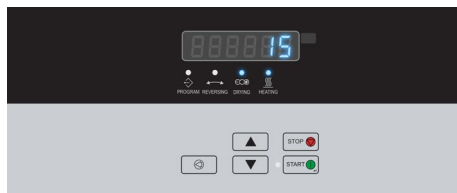
DOUBLE
CAPACITY



EASY
OPERATION



LARGE DOOR
OPENING



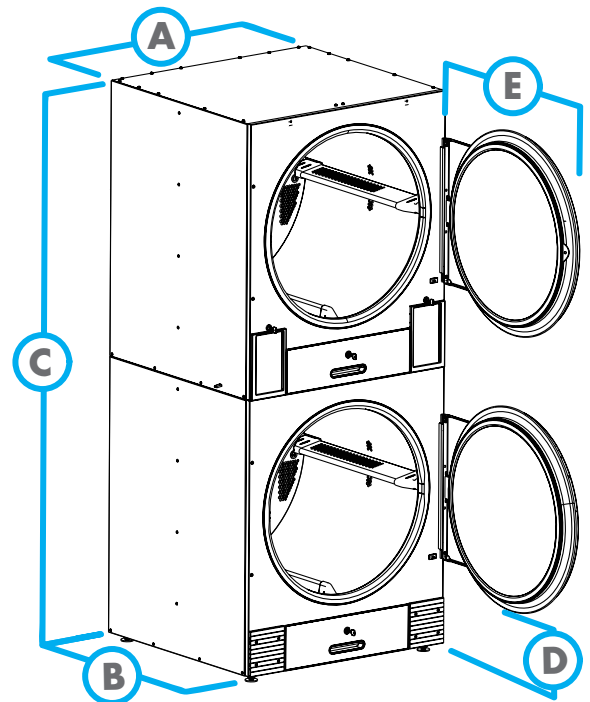
XQ Control



Dual Digital Control

GET AHEAD IN LAUNDRY

MODEL		PTT45
CONTROL OPTION		XQ, DDC
CAPACITY - lb (kg)		2x45 (2x20)
OVERALL WIDTH - in (mm)		34.5 (876)
OVERALL DEPTH - in (mm)		48.62 (1235)
OVERALL HEIGHT - in (mm)		81.25 (2064)
CYLINDER DIAMETER - in (mm)		30 (762)
CYLINDER VOLUME - cu. ft. (liters)		2x14.8 (2x419)
DOOR OPENING SIZE - in (mm)		22.88 (581)
ENERGY DATA		2x95,000 Btu/h
EXHAUST - in (mm)		1x10
GAS CONNECTIONS - one manifold - in (npt)		0.5
MOTOR - hp		Fan 2x0.5 Drive 2x0.5
DRYING AVERAGE - lbs/min		0.83
AIRFLOW - cfm		600
ELECTRIC SPECS - amps		Non Rev (both pockets)
GAS & STEAM 200-208/240/60/3 3W+G		9.6/9.6 total
208-240/60/1 3W+G		12.0 total
SHIPPING DIMENSIONS APPROX.		Width 35.5 (902) Depth 54 (1372) Height 85 (2159)
NET WEIGHT - lb (kg)		673 (305)
SHIPPING WEIGHT - lb (kg)		718 (326)
AGENCY APPROVALS		cCSAus



DIMENSIONS	PTT45
A. OVERALL WIDTH - in (mm)	34.5 (876)
B. OVERALL DEPTH - in (mm)	48.62 (1235)
C. OVERALL HEIGHT - in (mm)	81.25 (2064)
D. DOOR BOTTOM TO FLOOR - in (mm)	9.31 (236)
E. DOOR SWING - in (mm)	31.88 (810)

AY18-0040

For the most accurate information, the installation guide should be used for all design and construction purposes. Due to continuous product improvements, design and specifications subject to change without notice. The quality management system of Alliance Laundry Systems' Ripon facility has been registered to ISO 9001:2008.

© 2018 Alliance Laundry Systems LLC

www.primuslaundry.com

primus

by Alliance Laundry Systems