

VENDED
STACK TUMBLE DRYER

PTT30

PTT45

30lb

45lb

PTT
RANGE



FEATURES

- Double capacity within the same footprint
- Two separate microprocessor controls
- Gas, electric, and steam heating (PTT30) gas heating (PTT45)
- Large door opening for easy loading and unloading
- Patented cylinder holes allow drywall screws to pass through without damage
- Galvanized cylinder
- Axial airflow
- Large lint filter
- Standard activation: single coin drop

OPTIONS

- Available activations include: dual coin drop, electronic drop, prep for coin, prep for card reader, and prep for central pay
- Stainless steel cylinder
- Stainless steel front panel



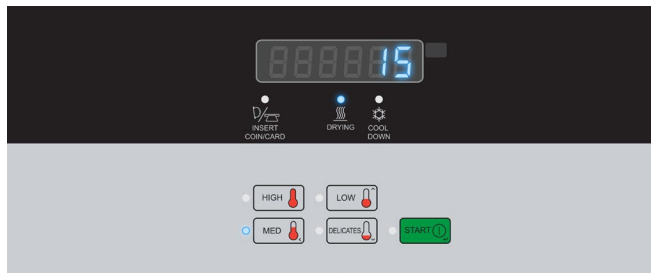
DOUBLE
CAPACITY



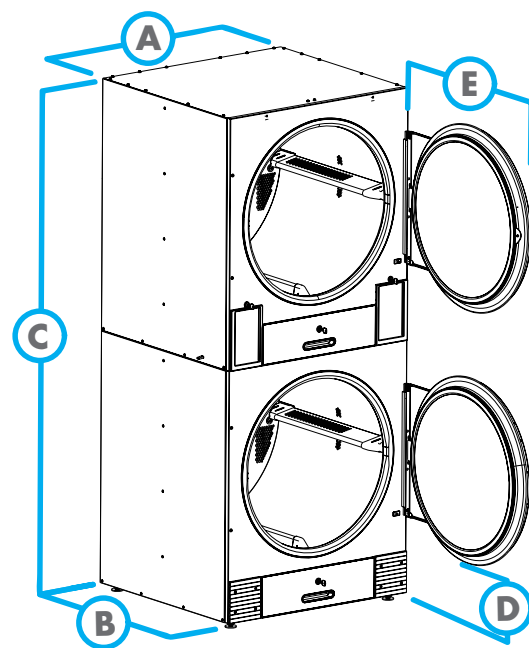
EASY
OPERATION



LARGE DOOR
OPENING



MODEL		PTT30	PTT45
CONTROL OPTION		XQ	XQ
CAPACITY - lb (kg)		2x30 (2x14)	2x45 (2x20)
OVERALL WIDTH - in (mm)		31.5 (800)	34.5 (876)
OVERALL DEPTH - in (mm)		42.76 (1086)	48.62 (1235)
OVERALL HEIGHT - in (mm)		76.25 (1937)	81.25 (2064)
CYLINDER DIAMETER - in (mm)		26.5 (673)	30 (762)
CYLINDER VOLUME - cu. ft. (liters)		2x9.6 (2x272)	2x14.8 (2x419)
DOOR OPENING SIZE - in (mm)		22.63 (575)	22.88 (581)
ENERGY DATA	Steam Models - 100 psi	111,000 Btu/h	-
	Electric Models	21 kW	-
	Gas Models	2x73,000 Btu/h	2x95,000 Btu/h
EXHAUST - in (mm)		1x8	1x10
GAS CONNECTIONS - one manifold - in (npt)		0.5	0.5
STEAM CONNECTIONS - in (npt)		0.75	-
MOTOR - hp	Fan	2x0.25	2x0.5
	Drive	2x0.25	2x0.5
DRYING AVERAGE - lbs/min	Gas Heating	0.64	0.83
	Electric Heating	0.69	-
AIRFLOW - cfm		400	600
ELECTRICAL SPECS - amps		Non Rev (both pockets)	Non Rev (both pockets)
GAS & STEAM	100/200-220/60/1 2W+G	22.0/11.6 total	-
	120/208-240/60/1 2W/3W+G	16.0/8.0 total	-
	200-208/240/60/3 3W+G	6.4/6.4 total	9.6/9.6 total
	208-240/60/1 3W+G	-	12.0 total
	380/60/3 3W+G	3.0 total	-
	440/60/3 3W+G	3.3 total	-
ELECTRIC	460-480/60/3 3W+G	3.3 total	-
	200-208/60/3 3W+G	62x2 - 124 total	-
	240/60/3 3W+G	54x2 - 108 total	-
	380/60/3 3W+G	33x2 - 66 total	-
	440/60/3 3W+G	29x2 - 56 total	-
SHIPPING DIMENSIONS APPROX. - in (mm)	Width	32.5 (826)	35.5 (902)
	Depth	47 (1194)	54 (1372)
	Height	81 (2057)	85 (2159)
NET WEIGHT - lb (kg)		550 (249)	673 (305)
SHIPPING WEIGHT - lb (kg)		582 (264)	718 (326)
AGENCY APPROVALS		cCSAus	cCSAus



DIMENSIONS	PTT30	PTT45
A. OVERALL WIDTH - in (mm)	31.5 (800)	34.5 (876)
B. OVERALL DEPTH - in (mm)	42.76 (1086)	48.62 (1235)
C. OVERALL HEIGHT - in (mm)	76.25 (1937)	81.25 (2064)
D. DOOR BOTTOM TO FLOOR - in (mm)	10.69 (272)	9.31 (236)
E. DOOR SWING - in (mm)	28 (711)	31.88 (810)

AY18-0057

For the most accurate information, the installation guide should be used for all design and construction purposes. Due to continuous product improvements, design and specifications subject to change without notice. The quality management system of Alliance Laundry Systems' Ripon facility has been registered to ISO 9001:2008.

© 2018 Alliance Laundry Systems LLC

www.primuslaundry.com

primus

by Alliance Laundry Systems