

VENDED
STACK WASHER/DRYER

PTEJXASP175TG01

PTGJXASP115TG01

FRONT
CONTROL



FEATURES

- Freestanding units can be installed on any floor and any level
- Double capacity within the same footprint
- Two separate controls
- Door opens 180 degrees for easy loading and unloading
- Time remaining countdown



ERGONOMICAL
CONSTRUCTION



LARGE DOOR
OPENING

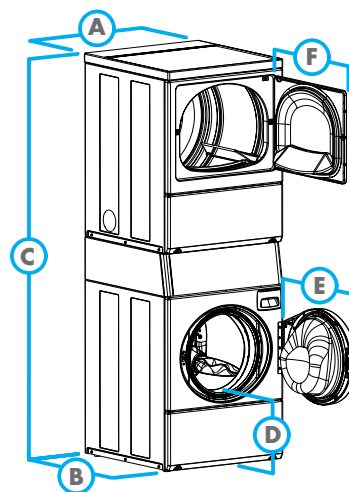


LOW WATER
AND ENERGY
CONSUMPTION



MODEL	PTEJXASP175TG01 PTGJXASP115TG01	
CONTROL OPTION	XQ	
CONTROL LOCATION	Front	
CAPACITY - lb (kg)	Washer	21.5 (10)
	Dryer	18 (8.2)
CYLINDER VOLUME - cu. ft. (liters)	Washer	3.42 (96.8)
	Dryer	7.0 (198)
OVERALL WIDTH - in (mm)	26.875 (683)	
OVERALL DEPTH - in (mm)	27.73 (704)	
OVERALL HEIGHT - in (mm)	78.17 (1986)	
SPIN SPEED G-FORCE -RPM	440 (1200)	
MOTOR POWER CONSUMPTION - hp (kw)	Washer	0.9 (0.67) - Variable Speed
	Dryer	0.33 (0.25)
WATER CONSUMPTION PER CYCLE -g (l)	13.68 (51.8)	
IWF (Water Factor)	4.0	
MEF ₂ (Modified Energy Factor)	2.20	
DRAIN	Pump	
ELECTRIC HEATING - kW	5.35	
GAS HEATING - BTU	25,000	
EXHAUST AIRFLOW - cfm (liters/sec)	220 (105)	
ELECTRICAL CONNECTION - Voltage/Hz/Ph	Washer	120/60/1
	Electric	120/240/60/1
	Gas	120/60/1
SHIPPING DIMENSIONS APPROX. - in (mm)	Width	30 (762)
	Depth	34 (864)
	Height	80 (2032)
NET WEIGHT - lb (kg)	385 (175)	
SHIPPING WEIGHT - lb (kg)	417 (189)	
AGENCY APPROVALS	cULus / cCSAus	

DIMENSIONS	
A. OVERALL WIDTH - in (mm)	26.875 (683)
B. OVERALL DEPTH - in (mm)	27.73 (704)
C. OVERALL HEIGHT - in (mm)	78.17 (1986)
D. FLOOR TO DOOR OPENING - in (mm)	14.63 (372)
E. WASHER DOOR SWING - in (mm)	24.06 (611)
F. DRYER DOOR SWING - in (mm)	23.5 (597)



AY18-0058

For the most accurate information, the installation guide should be used for all design and construction purposes. Due to continuous product improvements, design and specifications subject to change without notice. The quality management system of Alliance Laundry Systems' Ripon facility has been registered to ISO 9001:2008.

© 2018 Alliance Laundry Systems LLC

www.primuslaundry.com

primus

by Alliance Laundry Systems