

VENDED  
FRONT LOAD WASHER

PFNJCASG115TG01  
PFNJCASG115TN01

21.5lb

FRONT  
CONTROL



FEATURES

- Six factory presets with 27 user-customizable settings
- Two revenue-enhancing cycle modifiers
- Time remaining countdown
- Low water usage
- Industry-leading 440 G-Force extraction
- Freestanding units can be installed on any floor and any level
- Suspension with out-of-balance logic
- Stainless steel cylinder
- Soap box with four compartments
- Door opens 180 degrees for easy loading and unloading
- Integrated anti-vandal coin box
- Available in stainless steel or anthracite grey
- ADA certified



ERGONOMICAL  
CONSTRUCTION



LARGE DOOR  
OPENING

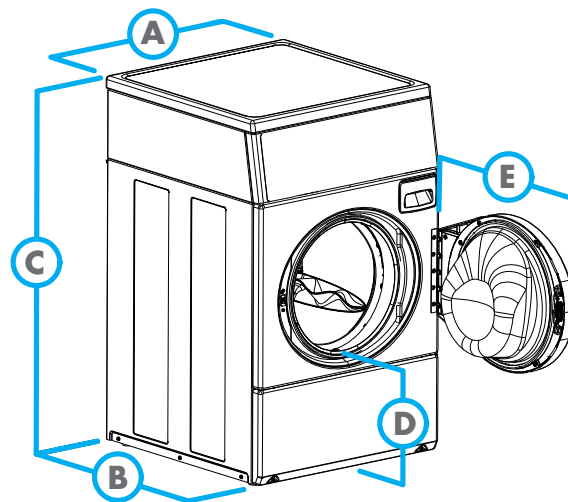


LOW WATER  
AND ENERGY  
CONSUMPTION



MODEL		PFNJCASG115TG01 PFNJCASG115TN01
CONTROL OPTION		XQ
CONTROL LOCATION		Front
CAPACITY - lb (kg)		21.5 (10)
CYLINDER VOLUME - cu. ft. (liters)		3.42 (96.8)
OVERALL WIDTH - in (mm)		26.875 (682)
OVERALL DEPTH - in (mm)		27.73 (704)
OVERALL HEIGHT - in (mm)		44.34 (1126)
SPIN SPEED G-FORCE -RPM		440 (1200)
DRAIN		Gravity
MOTOR POWER CONSUMPTION - hp (kw) VARIABLE SPEED INDUCTION		0.9 (0.67)
WATER CONSUMPTION PER CYCLE -g (l)		13.68 (51.8)
IWF (Water Factor)		4.0
IMEF (Modified Energy Factor)		2.20
ELECTRICAL CONNECTION - Voltage/Hz/Ph		120/60/1
SHIPPING DIMENSIONS APPROX. - in (mm)	Width	30 (762)
	Depth	34 (864)
	Height	44.5 (1130)
NET WEIGHT - lb (kg)		260 (118)
SHIPPING WEIGHT - lb (kg)		270 (122)
AGENCY APPROVALS		cULus/cCSAus

DIMENSIONS	
A. OVERALL WIDTH - in (mm)	26.875 (682)
B. OVERALL DEPTH - in (mm)	27.73 (704)
C. OVERALL HEIGHT - in (mm)	44.34 (1126)
D. FLOOR TO DOOR OPENING - in (mm)	14.63 (372)
E. DOOR SWING - in (mm)	24.06 (611)



AY18-0060

For the most accurate information, the installation guide should be used for all design and construction purposes. Due to continuous product improvements, design and specifications subject to change without notice. The quality management system of Alliance Laundry Systems' Ripon facility has been registered to ISO 9001:2008.

© 2018 Alliance Laundry Systems LLC

[www.primuslaundry.com](http://www.primuslaundry.com)

**primus**

by Alliance Laundry Systems