

VENDED
COIN SLIDE SINGLE LOAD DRYER

PDESXRG173TG02

PDGSXRG113TG02

REAR
CONTROL



FEATURES

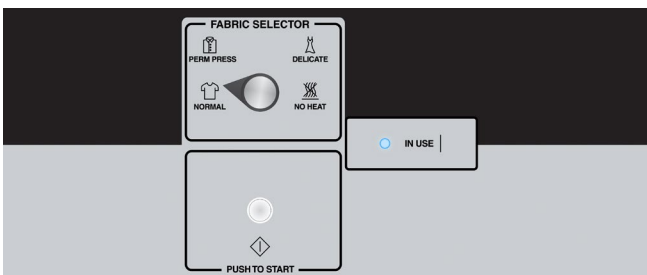
- Four drying programs
- Easy-to-use control
- Large door opening for easy loading and unloading
- Reversible door
- Front access to vital parts for easy maintenance
- Galvanized steel cylinder
- Non-removable lint filter located in front for easy cleaning
- Powerful exhaust blower ensures short dry times and low operating costs
- Door opens 180 degrees for easy access
- Electric or gas heating
- High capacity coin box
- Coin slide ready, not installed



COMPACT
DESIGN

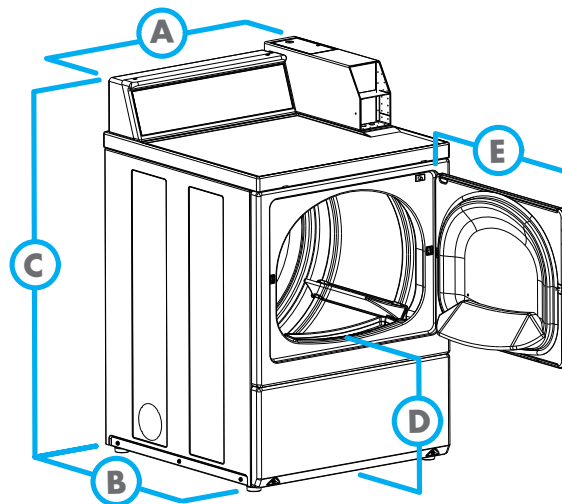


EASY
OPERATION



MODEL		PDESXRGSI173TG02 PDGSXRGSI113TG02
CONTROL OPTION		Hybrid II
CONTROL LOCATION		Rear
CAPACITY - lb (kg)		18 (8.2)
CYLINDER VOLUME - cu. ft. (liters)		7.0 (198)
OVERALL WIDTH - in (mm)		26.875 (683)
OVERALL DEPTH - in (mm)		28 (711)
OVERALL HEIGHT - in (mm)		43.875 (1092)
MOTOR POWER CONSUMPTION - hp (kw)		0.33 (0.25)
ELECTRIC HEATING - kW		5.35
GAS HEATING - BTU		25,000
ELECTRICAL CONNECTION - Voltage/Hz/Ph	Electric	120/240/60/1
	Gas	120/60/1
SHIPPING DIMENSIONS APPROX. - in (mm)	Width	29.5 (749)
	Depth	30.5 (775)
	Height	45 (1143)
NET WEIGHT - lb (kg)	Electric	139 (63)
	Gas	142 (64)
SHIPPING WEIGHT - lb (kg)	Electric	149 (66)
	Gas	152 (69)
AGENCY APPROVALS	Electric	cULus
	Gas	cCSAus

DIMENSIONS	
A. OVERALL WIDTH - in (mm)	26.875 (683)
B. OVERALL DEPTH - in (mm)	28 (711)
C. OVERALL HEIGHT - in (mm)	43.875 (1092)
D. FLOOR TO DOOR OPENING - in (mm)	15.44 (392)
E. DOOR SWING - in (mm)	23.5 (597)



AY18-0062

For the most accurate information, the installation guide should be used for all design and construction purposes. Due to continuous product improvements, design and specifications subject to change without notice. The quality management system of Alliance Laundry Systems' Ripon facility has been registered to ISO 9001:2008.

© 2018 Alliance Laundry Systems LLC

www.primuslaundry.com

primus

by Alliance Laundry Systems