

VENDED
SINGLE LOAD DRYER

PDEJCAGS174TG01
PDGJCAGS114TG01

18lb

FRONT
CONTROL



FEATURES

- Four drying programs
- Time remaining countdown with top-off feature
- Large door opening for easy loading and unloading
- Reversible door
- Front access to vital parts for easy maintenance
- Galvanized steel cylinder
- Non-removable lint filter located in front for easy cleaning
- Powerful exhaust blower ensures short dry times and low operating costs
- Door opens 180 degrees for easy maintenance
- Electric or gas heating
- ADA certified



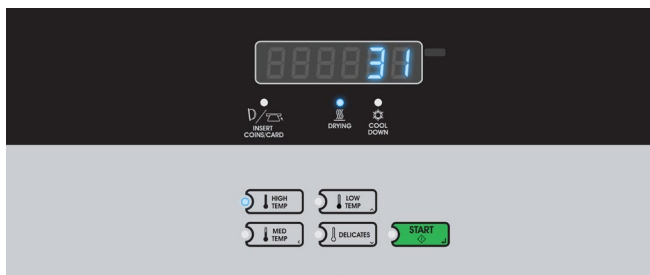
ERGONOMICAL
CONSTRUCTION



LARGE DOOR
OPENING

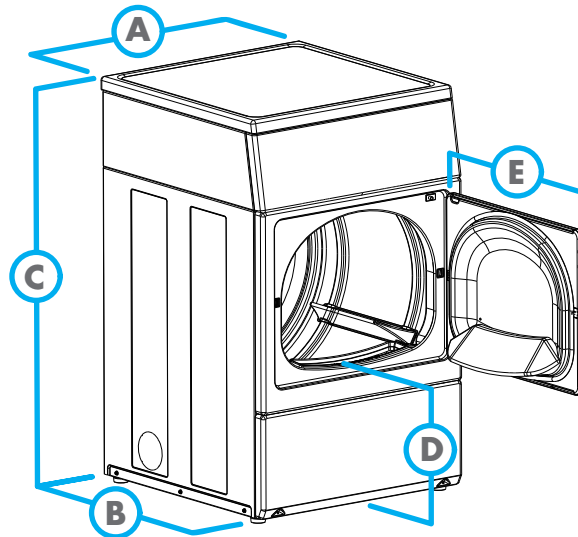


LOW WATER
AND ENERGY
CONSUMPTION



| MODEL | PDEJCAGS174TG01 PDGJCAGS114TG01 | |
|---------------------------------------|------------------------------------|--------------|
| CONTROL OPTION | XQ | |
| CONTROL LOCATION | Front | |
| CAPACITY - lb (kg) | 18 (8.2) | |
| CYLINDER VOLUME - cu. ft. (liters) | 7.0 (198) | |
| OVERALL WIDTH - in (mm) | 26.875 (683) | |
| OVERALL DEPTH - in (mm) | 28 (711) | |
| OVERALL HEIGHT - in (mm) | 44.34 (1126) | |
| MOTOR POWER CONSUMPTION - hp (kw) | 0.33 (0.25) | |
| ELECTRIC HEATING - kW | 5.35 | |
| GAS HEATING - BTU | 25,000 | |
| EXHAUST AIRFLOW - cfm (liters/sec) | 220 (105) | |
| ELECTRICAL CONNECTION - Voltage/Hz/Ph | Electric | 120/240/60/1 |
| | Gas | 120/60/1 |
| SHIPPING DIMENSIONS APPROX. - in (mm) | Width | 29.5 (749) |
| | Depth | 30.5 (775) |
| | Height | 45 (1143) |
| NET WEIGHT - lb (kg) | 150 (68) | |
| SHIPPING WEIGHT - lb (kg) | 161 (73) | |
| AGENCY APPROVALS | cULus / cCSAus | |

| DIMENSIONS | |
|------------------------------------|--------------|
| A. OVERALL WIDTH - in (mm) | 26.875 (683) |
| B. OVERALL DEPTH - in (mm) | 28 (711) |
| C. OVERALL HEIGHT - in (mm) | 44.34 (1126) |
| D. FLOOR TO DOOR OPENING - in (mm) | 15.44 (392) |
| E. DOOR SWING - in (mm) | 23.5 (597) |



AY18-0063

For the most accurate information, the installation guide should be used for all design and construction purposes. Due to continuous product improvements, design and specifications subject to change without notice. The quality management system of Alliance Laundry Systems' Ripon facility has been registered to ISO 9001:2008.

© 2018 Alliance Laundry Systems LLC

www.primuslaundry.com

primus

by Alliance Laundry Systems