

VENDED
COIN SLIDE TOP LOAD WASHER

PWNSX2PP115TG02

REAR
CONTROL



FEATURES

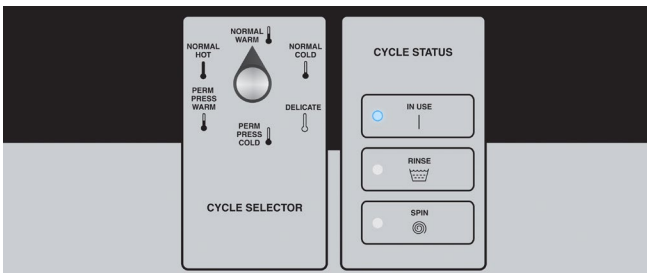
- Easy-to-use control
- High speed extract of 710 RPM
- Coin slide ready, not installed
- Lid does not lock during cycle allowing access to clothes or to add softener
- Self-adjusting rear leveling legs
- Automatic balancing suspension system
- Front access to vital parts for easy maintenance
- Available in Anthracite Grey
- High-capacity coin box



COMPACT
DESIGN

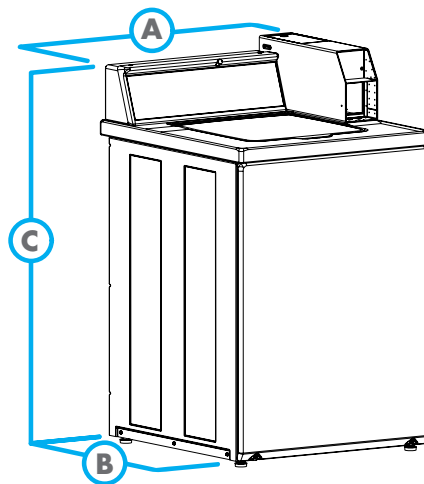


EASY
OPERATION



MODEL		PWNSX2PP115TG02
CONTROL OPTION		Hybrid II
CONTROL LOCATION		Rear
CAPACITY - lb (kg)		14 (6.4)
CYLINDER VOLUME - cu. ft. (liters)		3.19 (90)
OVERALL WIDTH - in (mm)		25.63 (651)
OVERALL DEPTH - in (mm)		28 (711)
OVERALL HEIGHT - in (mm)		43.875 (1115)
SPIN SPEED G-FORCE -RPM		150 (710)
MOTOR POWER CONSUMPTION - hp (kw)		0.5 (0.37)
WATER CONSUMPTION PER CYCLE -g (l)		28.07 (106)
IWF (Water Factor)		8.8
MEF ₂ (Modified Energy Factor)		1.35
DRAIN		Pump
ELECTRICAL CONNECTION - Voltage/Hz/Ph		120/60/1
SHIPPING DIMENSIONS		Width
APPROX. - in (mm)	Depth	30 (762)
	Height	45 (1143)
NET WEIGHT - lb (kg)		206 (93)
SHIPPING WEIGHT - lb (kg)		214 (97)
AGENCY APPROVALS		cULus

DIMENSIONS	
A. OVERALL WIDTH - in (mm)	25.63 (651)
B. OVERALL DEPTH - in (mm)	28 (711)
C. OVERALL HEIGHT - in (mm)	43.875 (1115)



AY18-0065

For the most accurate information, the installation guide should be used for all design and construction purposes. Due to continuous product improvements, design and specifications subject to change without notice. The quality management system of Alliance Laundry Systems' Ripon facility has been registered to ISO 9001:2008.

© 2018 Alliance Laundry Systems LLC

www.primuslaundry.com

primus

by Alliance Laundry Systems