

VENDED  
SINGLE LOAD DRYER

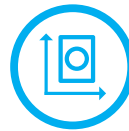
PDEBCRGS173TG02  
PDGBCRGS113TG02  
PDEBCRGS173TW02  
PDGBCRGS113TW02

REAR  
CONTROL



FEATURES

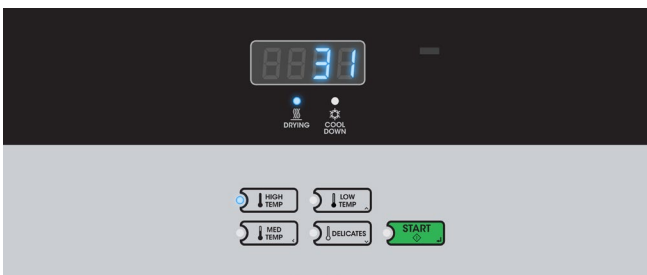
- Four drying programs
- Time remaining countdown with top-off feature
- Large door opening for easy loading and unloading
- Reversible door
- Front access to vital parts for easy maintenance
- Galvanized steel cylinder
- Non-removable lint filter located in front for easy cleaning
- Powerful exhaust blower ensures short dry times and low operating costs
- Door opens 180 degrees for easy access
- Electric or gas heating



COMPACT  
DESIGN

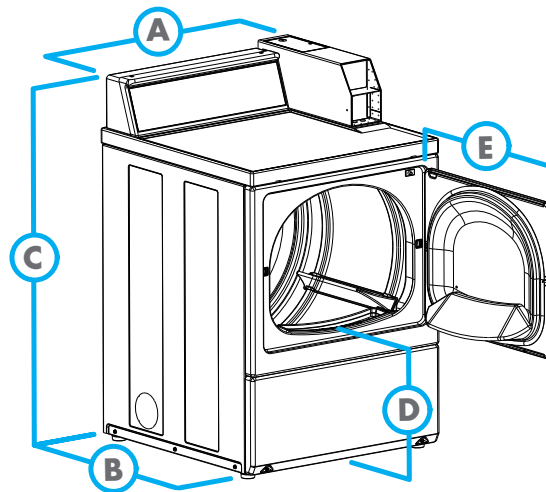


EASY  
OPERATION



MODEL		PDEBCRGS173TG02 PDGBCRGS113TG02 PDEBCRGS173TW02 PDGBCRGS113TW02
CONTROL OPTION		MDC II
CONTROL LOCATION		Rear
CAPACITY - lb (kg)		18 (8.2)
CYLINDER VOLUME - cu. ft. (liters)		7.0 (198)
OVERALL WIDTH - in (mm)		26.875 (683)
OVERALL DEPTH - in (mm)		28 (711)
OVERALL HEIGHT - in (mm)		43.875 (1092)
MOTOR POWER CONSUMPTION - hp (kw)		0.33 (0.25)
ELECTRIC HEATING - kW		5.35
GAS HEATING - BTU		25,000
ELECTRICAL CONNECTION - Voltage/Hz/Ph	Electric	120/240/60/1
	Gas	120/60/1
SHIPPING DIMENSIONS APPROX. - in (mm)	Width	29.5 (749)
	Depth	30.5 (775)
	Height	45 (1143)
NET WEIGHT - lb (kg)		150 (68)
SHIPPING WEIGHT - lb (kg)		161 (73)
AGENCY APPROVALS		

DIMENSIONS	
A. OVERALL WIDTH - in (mm)	26.875 (683)
B. OVERALL DEPTH - in (mm)	28 (711)
C. OVERALL HEIGHT - in (mm)	43.875 (1092)
D. FLOOR TO DOOR OPENING - in (mm)	15.44 (392)
E. DOOR SWING - in (mm)	23.5 (597)



AY18-0073

For the most accurate information, the installation guide should be used for all design and construction purposes. Due to continuous product improvements, design and specifications subject to change without notice. The quality management system of Alliance Laundry Systems' Ripon facility has been registered to ISO 9001:2008.

© 2018 Alliance Laundry Systems LLC

[www.primuslaundry.com](http://www.primuslaundry.com)

**primus**

by Alliance Laundry Systems