

VENDED
TOP LOAD WASHER

PWNBC2PP115GO2

PWNBC2PP115TW02

REAR
CONTROL



FEATURES

- High speed extract of 710 RPM
- Card, coin and/or central pay capable
- Time remaining countdown
- Lid does not lock during cycle allowing access to clothes or to add softener
- Self-adjusting rear leveling legs
- Automatic balancing suspension system
- Front access to vital parts for easy maintenance
- Available in anthracite grey and white



COMPACT
DESIGN

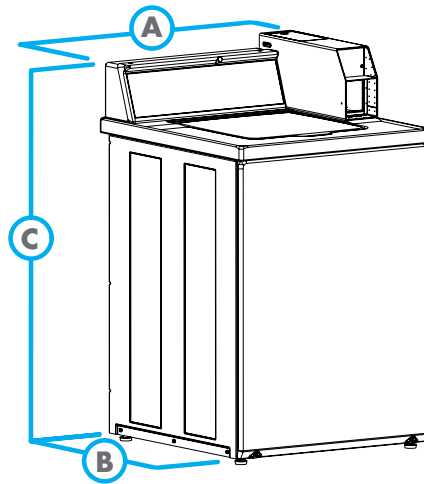


EASY
OPERATION



MODEL		PWNBC2PP115TG02 PWNBC2PP115TW02
CONTROL OPTION		MDC II
CONTROL LOCATION		Rear
CAPACITY - lb (kg)		14 (6.4)
CYLINDER VOLUME - cu. ft. (liters)		3.19 (90)
OVERALL WIDTH - in (mm)		25.63 (651)
OVERALL DEPTH - in (mm)		28 (711)
OVERALL HEIGHT - in (mm)		43.875 (1115)
SPIN SPEED G-FORCE -RPM		150 (710)
MOTOR POWER CONSUMPTION - hp (kw)		0.5 (0.37)
WATER CONSUMPTION PER CYCLE -g (l)		28.07 (106)
IWF (Water Factor)		8.8
MEF ₁₂ (Modified Energy Factor)		1.35
DRAIN		Pump
ELECTRICAL CONNECTION - Voltage/Hz/Ph		120/60/1
SHIPPING DIMENSIONS APPROX. - in (mm)	Width	30 (762)
	Depth	45 (1143)
	Height	28 (711)
NET WEIGHT - lb (kg)		206 (93)
SHIPPING WEIGHT - lb (kg)		218 (99)
AGENCY APPROVALS		

DIMENSIONS	
A. OVERALL WIDTH - in (mm)	25.63 (651)
B. OVERALL DEPTH - in (mm)	28 (711)
C. OVERALL HEIGHT - in (mm)	43.875 (1115)



AY18-0075

For the most accurate information, the installation guide should be used for all design and construction purposes. Due to continuous product improvements, design and specifications subject to change without notice. The quality management system of Alliance Laundry Systems' Ripon facility has been registered to ISO 9001:2008.

© 2018 Alliance Laundry Systems LLC

www.primuslaundry.com

primus

by Alliance Laundry Systems