

# VENDED SOFTMOUNT WASHER EXTRACTOR

PY  
RANGE

PY20

PY25

PY30

20lb

25lb

30lb



## FEATURES

- Freestanding, high spin, 400 G-Force
- Stainless steel top, front, and side panels
- Stainless steel cylinder and tub
- Patented Cascade™ cylinder for better washability
- XControl – fully programmable control
- Patented soap hopper
- Large drain valve
- Front access to vital parts for easy maintenance
- USB plug on the front of the machine, under the top panel
- Warranty: First three years on all parts; First five years frame and cylinder shaft assembly; First five years on cylinder bearings and bearing seals (*parts only*)

## OPTIONS

- Available activations include: electronic coin drop, dual coin drop, single coin drop, prep for card, prep for coin
- Coin box



ERGONOMICAL  
CONSTRUCTION



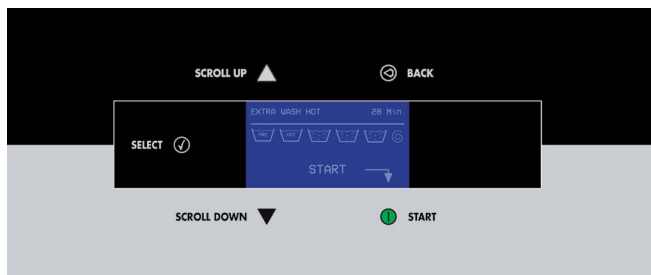
LARGE DOOR  
OPENING



LOW WATER  
AND ENERGY  
CONSUMPTION



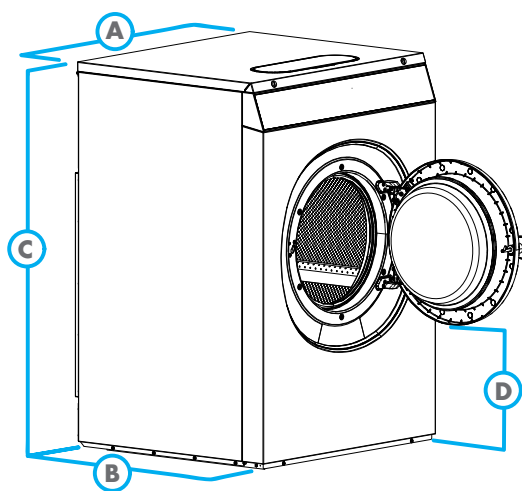
3 YEAR PARTS  
WARRANTY



GET AHEAD IN LAUNDRY 

MODEL	PY20	PY25	PY30
CONTROL OPTION	XControl	XControl	XControl
CAPACITY - lb (kg)	20 (8)	25 (11)	30 (14)
OVERALL WIDTH - in (mm)	27.95 (710)	31.29 (795)	31.29 (795)
OVERALL DEPTH - in (mm)	31.10 (790)	31.29 (795)	37.20 (945)
OVERALL HEIGHT - in (mm)	43.89 (1115)	48.22 (1225)	48.22 (1225)
CYLINDER DIAMETER - in (mm)	20.87 (530)	24.4 (620)	24.4 (620)
CYLINDER DEPTH - in (mm)	13.78 (350)	13.78 (350)	17.72 (450)
CYLINDER VOLUME - cu. ft. (liters)	2.6 (75)	3.7 (105)	4.8 (135)
DOOR OPENING SIZE - in (mm)	13 (330)	16.14 (410)	16.14 (410)
DOOR BOTTOM TO FLOOR - in (mm)	13.74 (349)	13.46 (342)	13.46 (342)
WASH SPEED - RPM	49	49	49
EXTRACT SPEED - RPM	1165	1075	1075
EXTRACT G-FORCE	400	400	400
WATER INLET CONNECTION - in (mm)	2 x 0.75 (19)	2 x 0.75 (19)	2 x 0.75 (19)
STEAM INLET CONNECTION - in (mm)	0.5 (13)	0.5 (13)	0.5 (13)
DRAIN CONNECTION - in (mm)	3 (76)	3 (76)	3 (76)
FLOOR TO DRAIN OUTLET CENTER - in (mm)	4.4 (112)	4.4 (112)	4.4 (112)
SIDE TO DRAIN OUTLET CENTER - in (mm)	9.05 (230)	9.05 (230)	9.05 (230)
MOTOR POWER CONSUMPTION - hp (kw)	1.00 (.75)	1.48 (1.10)	2.01 (1.50)
VOLTAGE/CIRCUIT BREAKER - FLA	208-240/60/1 10-6.7	15-9.8	15-10.1
SHIPPING DIMENSIONS APPROX. - in (mm)	Width	29.53 (750)	32.87 (835)
	Depth	33.01 (838)	33.01 (838)
	Height	49.02 (1245)	52.95 (1345)
NET WEIGHT - lb (kg)	408 (185)	463 (210)	563 (255)
SHIPPING WEIGHT - lb (kg)	441 (200)	518 (235)	606 (275)
AGENCY APPROVALS	cCSAus	cCSAus	cCSAus

DIMENSIONS	PY20	PY25	PY30
A. OVERALL WIDTH - in (mm)	27.95 (710)	31.29 (795)	31.29 (795)
B. OVERALL DEPTH - in (mm)	31.10 (790)	31.29 (795)	37.20 (945)
C. OVERALL HEIGHT - in (mm)	43.89 (1115)	48.22 (1225)	48.22 (1225)
D. DOOR BOTTOM TO FLOOR - in (mm)	13.74 (349)	13.46 (342)	13.46 (342)



AY18-0076

For the most accurate information, the installation guide should be used for all design and construction purposes. Due to continuous product improvements, design and specifications subject to change without notice. The quality management system of Alliance Laundry Systems' Ripon facility has been registered to ISO 9001:2008.

© 2018 Alliance Laundry Systems LLC

[www.primuslaundry.com](http://www.primuslaundry.com)

**primus**

by Alliance Laundry Systems