

VENDED SOFTMOUNT WASHER EXTRACTOR

PY
RANGE

PY 40

PY 55

PY 70

40lb

55lb

70lb



FEATURES

- Freestanding, high spin, 400 G-Force
- Stainless steel top, front, and side panels
- Stainless steel cylinder and tub
- Patented Cascade™ cylinder for better washability
- XControl – fully programmable control
- Patented Soap Hopper
- High capacity water inlets
- Large drain valve
- Front access to vital parts for easy maintenance
- USB plug on the front of the machine, under the top panel
- Warranty: First three years on all parts; First five years frame and cylinder shaft assembly; First five years on cylinder bearings and bearing seals (*parts only*)

OPTIONS

- Available activations include: electronic coin drop, dual coin drop, single coin drop, prep for card, prep for coin
- Coin box



ERGONOMICAL
CONSTRUCTION



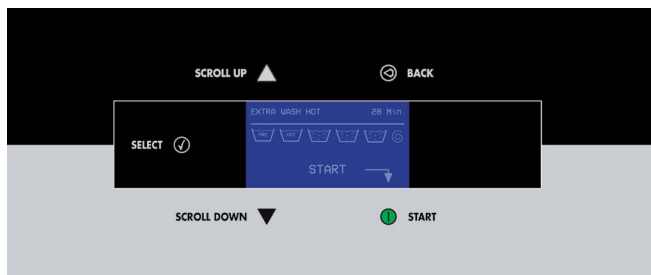
LARGE DOOR
OPENING



LOW WATER
AND ENERGY
CONSUMPTION



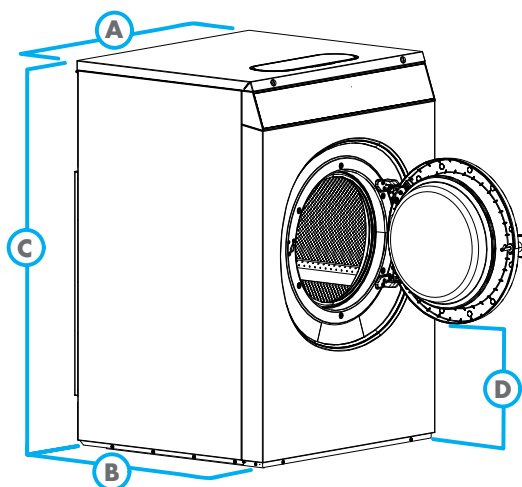
3 YEAR PARTS
WARRANTY



GET AHEAD IN LAUNDRY 

MODEL	PY40	PY55	PY70	
CONTROL OPTION	XControl	XControl	XControl	
CAPACITY - lb (kg)	40 (18)	55 (24)	70 (31)	
OVERALL WIDTH - in (mm)	38.18 (970)	38.18 (970)	38.18 (970)	
OVERALL DEPTH - in (mm)	38.18 (970)	43.5 (1105)	46.65 (1185)	
OVERALL HEIGHT - in (mm)	55.51 (1410)	55.51 (1410)	55.51 (1410)	
CYLINDER DIAMETER - in (mm)	29.53 (750)	29.53 (750)	29.53 (750)	
CYLINDER DEPTH - in (mm)	16.14 (410)	21.46 (545)	24.41 (620)	
CYLINDER VOLUME - cu. ft. (liters)	6.4 (180)	8.5 (240)	9.9 (280)	
DOOR OPENING SIZE - in (mm)	18.11 (460)	18.11 (460)	18.11 (460)	
DOOR BOTTOM TO FLOOR - in (mm)	18.77 (477)	18.77 (477)	18.77 (477)	
WASH SPEED - RPM	42	42	42	
EXTRACT SPEED - RPM	980	980	915	
EXTRACT G-FORCE	400	400	350	
WATER INLET CONNECTION - in (mm)	2 x 0.75 (19)	2 x 0.75 (19)	2 x 0.75 (19)	
STEAM INLET CONNECTION - in (mm)	0.5 (13)	0.5 (13)	0.5 (13)	
DRAIN CONNECTION - in (mm)	3 (76)	3 (76)	3 (76)	
FLOOR TO DRAIN OUTLET CENTER - in (mm)	5.21 (132)	5.21 (132)	5.21 (132)	
SIDE TO DRAIN OUTLET CENTER - in (mm)	10.62 (270)	10.62 (270)	10.62 (270)	
MOTOR POWER CONSUMPTION - hp (kw)	2.95 (2.20)	4.02 (3.00)	4.02 (3.00)	
VOLTAGE/CIRCUIT BREAKER - FLA	208-240/60/1 440-480/60/3	20-14.2 -	20-15 10-7.1	20-16 10-7.2
SHIPPING DIMENSIONS APPROX. - in (mm)	Width Depth Height	40.35 (1025) 39.96 (1015) 61.02 (1550)	40.35 (1025) 45.28 (1150) 61.02 (1550)	40.35 (1025) 48.23 (1225) 61.02 (1550)
NET WEIGHT - lb (kg)	838 (380)	948 (430)	1092 (495)	
SHIPPING WEIGHT - lb (kg)	871 (395)	992 (450)	1135 (515)	
AGENCY APPROVALS	cCSAus	cCSAus	cCSAus	

DIMENSIONS	PY40	PY55	PY70
A. OVERALL WIDTH - in (mm)	38.18 (970)	38.18 (970)	38.18 (970)
B. OVERALL DEPTH - in (mm)	38.18 (970)	43.5 (1105)	46.65 (1185)
C. OVERALL HEIGHT - in (mm)	55.51 (1410)	55.51 (1410)	55.51 (1410)
D. DOOR BOTTOM TO FLOOR - in (mm)	18.77 (477)	18.77 (477)	18.77 (477)



AY18-0077

For the most accurate information, the installation guide should be used for all design and construction purposes. Due to continuous product improvements, design and specifications subject to change without notice. The quality management system of Alliance Laundry Systems' Ripon facility has been registered to ISO 9001:2008.

© 2018 Alliance Laundry Systems LLC

www.primuslaundry.com

primus

by Alliance Laundry Systems