

ON-PREMISES  
SOFTMOUNT WASHER EXTRACTOR

PY55

55lb

PY  
RANGE



FEATURES

- Freestanding, high spin, 400 G-Force
- Stainless steel top, front, and side panels
- Stainless steel cylinder and tub
- Patented Cascade™ cylinder for better washability
- XControl+ – fully programmable control
- Patented soap hopper
- High capacity water inlets
- Large drain valve
- Front access to vital parts for easy maintenance
- USB plug on the back panel and control board
- Warranty: First three years on all parts; First five years frame and cylinder shaft assembly; First five years on cylinder bearings and bearing seals (*parts only*)

OPTIONS

- Third water inlet
- Steam heating



ERGONOMICAL  
CONSTRUCTION



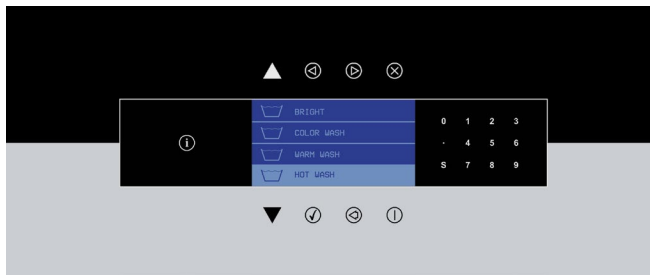
LARGE DOOR  
OPENING



LOW WATER  
AND ENERGY  
CONSUMPTION



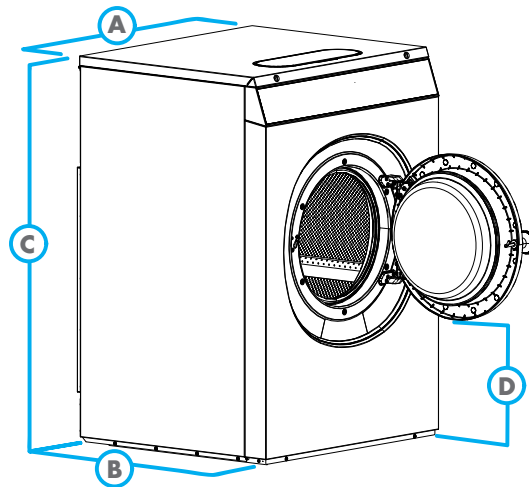
3 YEAR PARTS  
WARRANTY



GET AHEAD IN LAUNDRY 

MODEL		PY55
CONTROL OPTION		XControl+
CAPACITY - lb (kg)		55 (24)
OVERALL WIDTH - in (mm)		38.18 (970)
OVERALL DEPTH - in (mm)		43.5 (1105)
OVERALL HEIGHT - in (mm)		55.51 (1410)
CYLINDER DIAMETER - in (mm)		29.53 (750)
CYLINDER DEPTH - in (mm)		21.46 (545)
CYLINDER VOLUME - cu. ft. (liters)		8.5 (240)
DOOR OPENING SIZE - in (mm)		18.11 (460)
DOOR BOTTOM TO FLOOR - in (mm)		18.77 (477)
WASH SPEED - RPM		42
EXTRACT SPEED - RPM		980
EXTRACT G-FORCE		400
WATER INLET CONNECTION - in (mm)		2 x 0.75 (19)
STEAM INLET CONNECTION - in (mm)		0.5 (13)
DRAIN CONNECTION - in (mm)		3 (76)
FLOOR TO DRAIN OUTLET CENTER - in (mm)		5.21 (132)
SIDE TO DRAIN OUTLET CENTER - in (mm)		10.62 (270)
MOTOR POWER CONSUMPTION - hp (kw)		4.02 (3.00)
VOLTAGE/CIRCUIT BREAKER - FLA		208-240/60/1 440-480/60/3
SHIPPING DIMENSIONS APPROX. - in (mm)		Width Depth Height
		40.35 (1025) 45.28 (1150) 61.02 (1550)
NET WEIGHT - lb (kg)		948 (430)
SHIPPING WEIGHT - lb (kg)		992 (450)
AGENCY APPROVALS		cCSAus

DIMENSIONS		PY55
A. OVERALL WIDTH - in (mm)		38.18 (970)
B. OVERALL DEPTH - in (mm)		43.5 (1105)
C. OVERALL HEIGHT - in (mm)		55.51 (1410)
D. DOOR BOTTOM TO FLOOR - in (mm)		18.77 (477)



AY18-0085

For the most accurate information, the installation guide should be used for all design and construction purposes. Due to continuous product improvements, design and specifications subject to change without notice. The quality management system of Alliance Laundry Systems' Ripon facility has been registered to ISO 9001:2008.

© 2018 Alliance Laundry Systems LLC

[www.primuslaundry.com](http://www.primuslaundry.com)

**primus**

by Alliance Laundry Systems