

# ON-PREMISES SOFTMOUNT WASHER EXTRACTOR

PY90

90lb

PY  
RANGE



## FEATURES

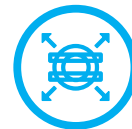
- Freestanding, high spin, 350 G-Force
- Stainless steel front and side panels
- Stainless steel cylinder and tub
- XControl+ fully programmable control
- Up front five cup soap hopper
- Large dual drain valves
- Large door opening for easy loading and unloading
- SuperWash® perforated lifting ribs create more mechanical action
- SuperEco washing programs significantly reduce water and electricity consumption
- Ozone compatible seal system
- Warranty: First three years on all parts; First five years frame and cylinder shaft assembly; First five years on cylinder bearings and bearing seals (*parts only*)

## OPTIONS

- Steam heating



ROBUST DESIGN



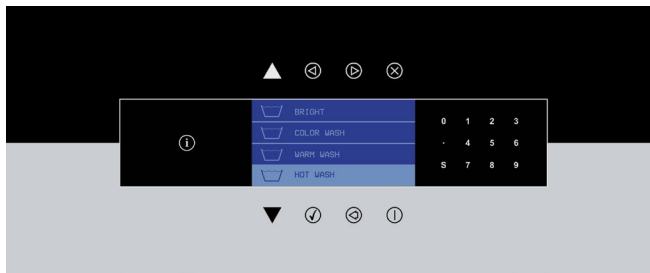
EXTRA LARGE  
DOOR



LARGE DRAIN  
VALVES



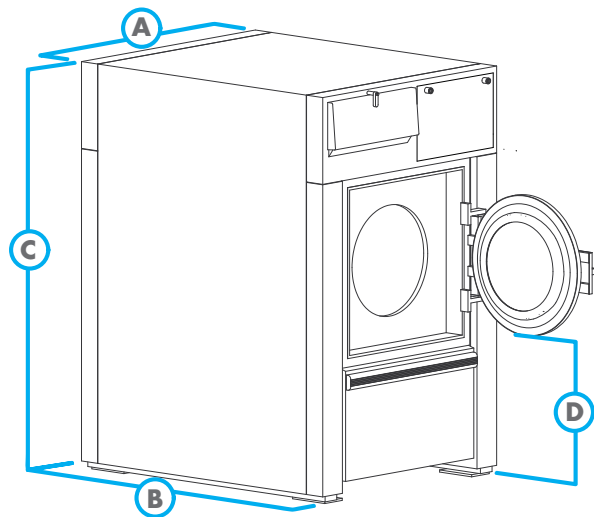
3 YEAR PARTS  
WARRANTY



GET AHEAD IN LAUNDRY 

MODEL		PY90
CONTROL OPTION		XControl+
CAPACITY - lb (kg)		90 (41)
OVERALL WIDTH - in (mm)		47.04 (1195)
OVERALL DEPTH - in (mm)		56.3 (1430)
OVERALL HEIGHT - in (mm)		75 (1905)
CYLINDER DIAMETER - in (mm)		36 (914)
CYLINDER DEPTH - in (mm)		24 (610)
CYLINDER VOLUME - cu. ft. (liters)		14.2 (402)
DOOR OPENING SIZE - in (mm)		21.3 (541)
DOOR BOTTOM TO FLOOR - in (mm)		28.74 (730)
WASH SPEED - RPM		38
EXTRACT SPEED - RPM		830
EXTRACT G-FORCE		350
WATER INLET CONNECTION - in (mm)		3x1 (25)
STEAM INLET CONNECTION - in (mm)		0.75 (19)
DRAIN CONNECTION - in (mm)		2x3 (76)
MOTOR POWER CONSUMPTION - hp (kw)		10.06 (8)
VOLTAGE/CIRCUIT BREAKER - FLA		220-240/60/3 380-480/60/3
SHIPPING DIMENSIONS APPROX. - in (mm)		Width 56.3 (1430) Depth 61.8 (1570) Height 82.9 (2106)
NET WEIGHT - lb (kg)		3439 (1560)
SHIPPING WEIGHT - lb (kg)		3748 (1700)
AGENCY APPROVALS		cCSAus

DIMENSIONS	PY90
A. OVERALL WIDTH - in (mm)	47.04 (1195)
B. OVERALL DEPTH - in (mm)	56.3 (1430)
C. OVERALL HEIGHT - in (mm)	75 (1905)
D. DOOR BOTTOM TO FLOOR - in (mm)	28.74 (730)



AY18-0087

For the most accurate information, the installation guide should be used for all design and construction purposes. Due to continuous product improvements, design and specifications subject to change without notice. The quality management system of Alliance Laundry Systems' Ripon facility has been registered to ISO 9001:2008.

© 2018 Alliance Laundry Systems LLC

[www.primuslaundry.com](http://www.primuslaundry.com)

**primus**

by Alliance Laundry Systems