

ON-PREMISES  
SOFTMOUNT WASHER EXTRACTOR

PY180

180lb

PY  
RANGE



FEATURES

- Freestanding, high spin, 350 G-Force
- Stainless steel top, front, and side panels
- Stainless steel cylinder and tub
- XControl+ – fully programmable control
- Large dual drain valves
- Large door opening for easy loading and unloading
- SuperWash® perforated lifting ribs create more mechanical action
- SuperEco washing programs significantly reduce water and electricity consumption
- Warranty: First three years on all parts; First five years frame and cylinder shaft assembly; First five years on cylinder bearings and bearing seals (*parts only*)

OPTIONS

- Steam heating



ROBUST DESIGN



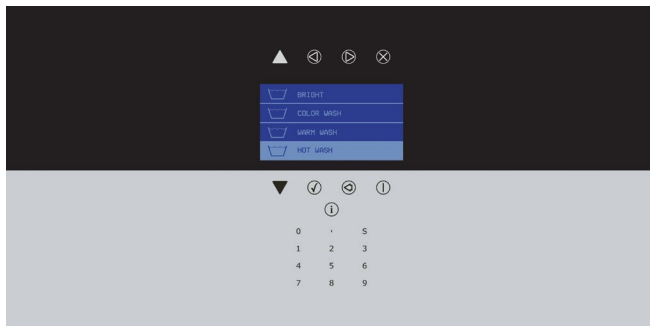
EXTRA LARGE  
DOOR



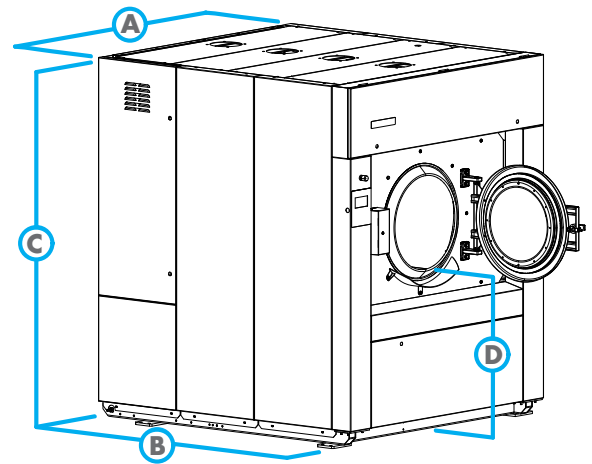
LARGE DRAIN  
VALVE CYCLES



3 YEAR PARTS  
WARRANTY



MODEL		PY180	
CONTROL OPTION		XControl+	
CAPACITY - lb (kg)		180 (82)	
DIMENSIONS W/ TILT - in (mm)		Width	63.78 (1620)
		Depth	78.46 (1993)
		Height	83.39 (2118)
NET WEIGHT W/ TILT - lb (kg)		6592 (2990)	
DIMENSIONS W/O TILT - in (mm)		Width	58.86 (1495)
		Depth	76.38 (1940)
		Height	78.5 (1994)
NET WEIGHT W/O TILT - lb (kg)		5820 (2640)	
CYLINDER DIAMETER - in (mm)		43.7 (1110)	
CYLINDER DEPTH - in (mm)		33 (838)	
CYLINDER VOLUME - cu. ft. (liters)		28.5 (807)	
DOOR OPENING SIZE - in (mm)		20.86 (530)	
DOOR BOTTOM TO FLOOR - in (mm)		33.15 (842)	
WASH SPEED - RPM		36	
EXTRACT SPEED - RPM		750	
EXTRACT G-FORCE		350	
WATER INLET CONNECTION - in (mm)		3 x 1.5 (38)	
STEAM INLET CONNECTION - in (mm)		1 (25)	
DRAIN CONNECTION - in (mm)		2 x 4 (102)	
MOTOR POWER CONSUMPTION - hp (kw)		14.75 (11)	
VOLTAGE/CIRCUIT BREAKER - FLA		208-240/60/3	40-30.2
		400-480/60/3	30-23.8
SHIPPING DIMENSIONS APPROX. W/ TILT - in (mm)		Width	70.01 (1778)
		Depth	84.65 (2150)
		Height	91.54 (2325)
SHIPPING WEIGHT W/ TILT - lb (kg)		6614 (3000)	
SHIPPING DIMENSIONS APPROX. W/O TILT - in (mm)		Width	66.53 (1690)
		Depth	76.77 (1950)
		Height	86.61 (2200)
SHIPPING WEIGHT W/O TILT - lb (kg)		6239 (2830)	
AGENCY APPROVALS		CSA	



DIMENSIONS W/ TILT	PY180
A. OVERALL WIDTH - in (mm)	63.78 (1620)
B. OVERALL DEPTH - in (mm)	78.46 (1993)
C. OVERALL HEIGHT - in (mm)	83.39 (2118)
D. DOOR BOTTOM TO FLOOR - in (mm)	33.15 (842)

DIMENSIONS W/O TILT	PY180
A. OVERALL WIDTH - in (mm)	58.86 (1495)
B. OVERALL DEPTH - in (mm)	76.38 (1940)
C. OVERALL HEIGHT - in (mm)	78.5 (1994)
D. DOOR BOTTOM TO FLOOR - in (mm)	13.74 (349)

AY18-0089

For the most accurate information, the installation guide should be used for all design and construction purposes. Due to continuous product improvements, design and specifications subject to change without notice. The quality management system of Alliance Laundry Systems' Ripon facility has been registered to ISO 9001:2008.

© 2018 Alliance Laundry Systems LLC

[www.primuslaundry.com](http://www.primuslaundry.com)

**primus**

by Alliance Laundry Systems