

ON-PREMISES
SOFTMOUNT WASHER EXTRACTOR

PY230

230lb

PY
RANGE



FEATURES

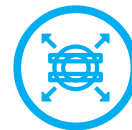
- Freestanding, high spin, 350 G-Force
- Stainless steel top, front, and side panels
- Stainless steel cylinder and tub
- XControl+ – fully programmable control
- Up front five cup soap hopper
- Large dual drain valves
- Large door opening for easy loading and unloading
- SuperWash® perforated lifting ribs create more mechanical action
- SuperEco washing programs significantly reduce water and electricity consumption
- Warranty: First three years on all parts; First five years frame and cylinder shaft assembly; First five years on cylinder bearings and bearing seals (*parts only*)

OPTIONS

- Steam heating



ROBUST DESIGN



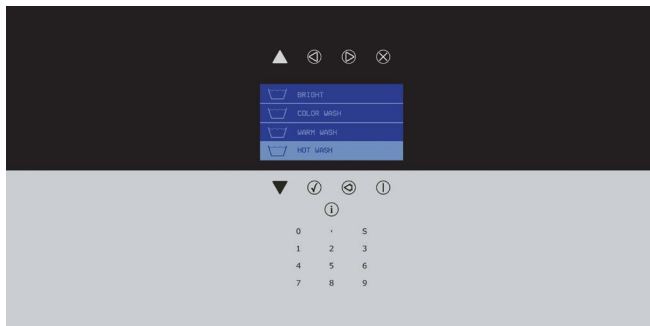
EXTRA LARGE
DOOR



LARGE DRAIN
VALVE CYCLES

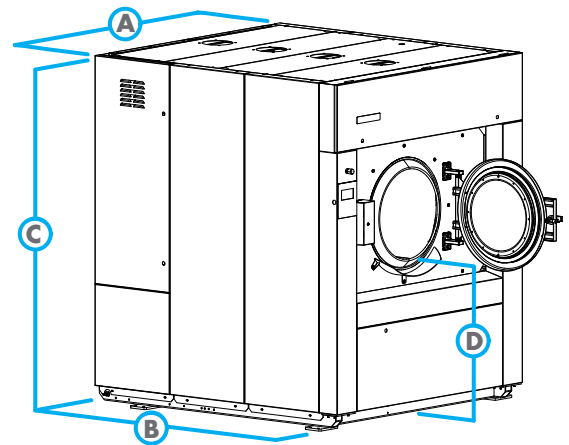


3 YEAR PARTS
WARRANTY



GET AHEAD IN LAUNDRY 

MODEL		PY230	
CONTROL OPTION		XControl+	
CAPACITY - lb (kg)		230 (104)	
DIMENSIONS W/ TILT - in (mm)	Width	75.59 (1920)	
	Depth	80.98 (2057)	
	Height	86.30 (2192)	
NET WEIGHT W/ TILT - lb (kg)		7760 (3520)	
DIMENSIONS W/O TILT - in (mm)	Width	70.47 (1790)	
	Depth	78.94 (2005)	
	Height	81.10 (2060)	
NET WEIGHT W/O TILT - lb (kg)		6989 (3170)	
CYLINDER DIAMETER - in (mm)		47.24 (1200)	
CYLINDER DEPTH - in (mm)		33.85 (860)	
CYLINDER VOLUME - cu. ft. (liters)		35.4 (1003)	
DOOR OPENING SIZE - in (mm)		20.86 (530)	
DOOR BOTTOM TO FLOOR - in (mm)		33.74 (857)	
WASH SPEED - RPM		33	
EXTRACT SPEED - RPM		720	
EXTRACT G-FORCE		350	
WATER INLET CONNECTION - in (mm)		3 x 1.5 (38)	
STEAM INLET CONNECTION - in (mm)		1 (25)	
DRAIN CONNECTION - in (mm)		2 x 4 (102)	
MOTOR POWER CONSUMPTION - hp (kw)		20.12 (15)	
VOLTAGE/CIRCUIT BREAKER - FLA	208-240/60/3	50-35	
	400-480/60/3	40-25.2	
SHIPPING DIMENSIONS APPROX. W/ TILT - in (mm)	Width	81.89 (2080)	
	Depth	92.52 (2350)	
	Height	95.47 (2425)	
SHIPPING WEIGHT W/ TILT - lb (kg)		7981 (3620)	
SHIPPING DIMENSIONS APPROX. W/O TILT - in (mm)	Width	78.74 (2000)	
	Depth	85.43 (2170)	
	Height	92.32 (23.45)	
SHIPPING WEIGHT W/O TILT - lb (kg)		7518 (3410)	
AGENCY APPROVALS		CSA	



DIMENSIONS W/ TILT		PY230
A.	OVERALL WIDTH - in (mm)	75.59 (1920)
B.	OVERALL DEPTH - in (mm)	80.98 (2057)
C.	OVERALL HEIGHT - in (mm)	86.30 (2192)
D.	DOOR BOTTOM TO FLOOR - in (mm)	33.74 (857)

DIMENSIONS W/O TILT		PY230
A.	OVERALL WIDTH - in (mm)	70.47 (1790)
B.	OVERALL DEPTH - in (mm)	78.94 (2005)
C.	OVERALL HEIGHT - in (mm)	81.10 (2060)
D.	DOOR BOTTOM TO FLOOR - in (mm)	33.74 (857)

AY18-0090

For the most accurate information, the installation guide should be used for all design and construction purposes. Due to continuous product improvements, design and specifications subject to change without notice. The quality management system of Alliance Laundry Systems' Ripon facility has been registered to ISO 9001:2008.

© 2018 Alliance Laundry Systems LLC

www.primuslaundry.com

primus

by Alliance Laundry Systems