

ON-PREMISES
SOFTMOUNT WASHER EXTRACTOR

PY275

275lb

PY
RANGE



FEATURES

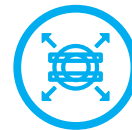
- Freestanding, high spin, 350 G-Force
- Stainless steel top, front, and side panels
- Stainless steel cylinder and tub
- XControl+ – fully programmable control
- Up front five cup soap hopper
- Large dual drain valves
- Large door opening for easy loading and unloading
- SuperWash® perforated lifting ribs create more mechanical action
- SuperEco washing programs significantly reduce water and electricity consumption
- Warranty: First three years on all parts; First five years frame and cylinder shaft assembly; First five years on cylinder bearings and bearing seals (*parts only*)

OPTIONS

- Steam heating



ROBUST DESIGN



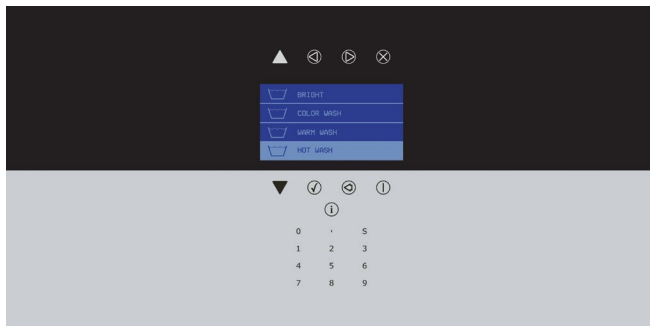
EXTRA LARGE
DOOR



LARGE DRAIN
VALVE CYCLES

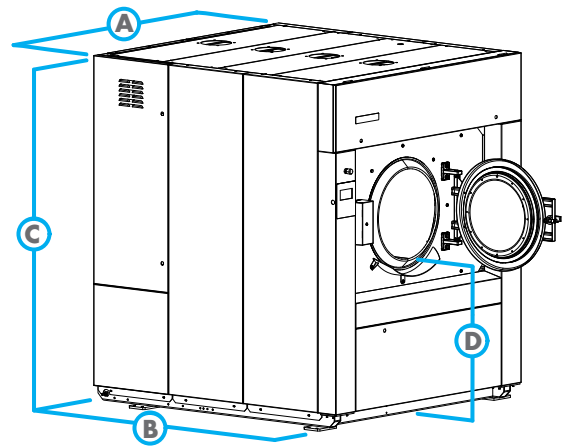


3 YEAR PARTS
WARRANTY



GET AHEAD IN LAUNDRY 

MODEL		PY275	
CONTROL OPTION		XControl+	
CAPACITY - lb (kg)		275 (125)	
DIMENSIONS W/ TILT - in (mm)		Width	78.74 (2000)
		Depth	84.13 (2137)
		Height	87.20 (2215)
NET WEIGHT W/ TILT - lb (kg)		8466 (3840)	
DIMENSIONS W/O TILT - in (mm)		Width	73.03 (1855)
		Depth	82.09 (2085)
		Height	82.09 (2085)
NET WEIGHT W/O TILT - lb (kg)		7672 (3480)	
CYLINDER DIAMETER - in (mm)		51.18 (1300)	
CYLINDER DEPTH - in (mm)		34.25 (870)	
CYLINDER VOLUME - cu. ft. (liters)		41.7 (1181)	
DOOR OPENING SIZE - in (mm)		25.59 (650)	
DOOR BOTTOM TO FLOOR - in (mm)		33.15 (842)	
WASH SPEED - RPM		32	
EXTRACT SPEED- RPM		695	
EXTRACT G-FORCE		350	
WATER INLET CONNECTION - in (mm)		3 x 1.5 (38)	
STEAM INLET CONNECTION - in (mm)		1 (25)	
DRAIN CONNECTION - in (mm)		2 x 4 (102)	
MOTOR POWER CONSUMPTION - hp (kw)		24.81 (19)	
VOLTAGE/CIRCUIT BREAKER - FLA		208-240/60/3	50-37.8
		400-480/60/3	40-29.4
SHIPPING DIMENSIONS APPROX. W/ TILT - in (mm)		Width	85.83 (2180)
		Depth	92.52 (23.50)
		Height	95.47 (2425)
SHIPPING WEIGHT W/ TILT - lb (kg)		8598 (3900)	
SHIPPING DIMENSIONS APPROX. W/O TILT - in (mm)		Width	78.74 (2000)
		Depth	85.43 (2170)
		Height	92.32 (2345)
SHIPPING WEIGHT W/O TILT - lb (kg)		8179 (3710)	
AGENCY APPROVALS		CSA	



DIMENSIONS W/ TILT	PY275
A. OVERALL WIDTH - in (mm)	78.74 (2000)
B. OVERALL DEPTH - in (mm)	84.13 (2137)
C. OVERALL HEIGHT - in (mm)	87.20 (2215)
D. DOOR BOTTOM TO FLOOR - in (mm)	33.15 (842)

DIMENSIONS W/O TILT	PY275
A. OVERALL WIDTH - in (mm)	73.03 (1855)
B. OVERALL DEPTH - in (mm)	82.09 (2085)
C. OVERALL HEIGHT - in (mm)	82.09 (2085)
D. DOOR BOTTOM TO FLOOR - in (mm)	33.15 (842)

AY18-0091

For the most accurate information, the installation guide should be used for all design and construction purposes. Due to continuous product improvements, design and specifications subject to change without notice. The quality management system of Alliance Laundry Systems' Ripon facility has been registered to ISO 9001:2008.

© 2018 Alliance Laundry Systems LLC

www.primuslaundry.com

primus

by Alliance Laundry Systems