

ON-PREMISES  
RIGID MOUNT WASHER EXTRACTOR

PA20

20lb

PA  
RANGE



FEATURES

- Rigid mounted, 100 or 200 G-Force options
- Stainless steel top, front, and side panels
- Stainless steel cylinder and tub
- Patented Cascade™ cylinder for better washability
- XControl+ – fully programmable control
- Patented soap hopper
- Large drain valve
- Front access to vital parts for easy maintenance
- Large door opening for easy loading and unloading
- USB plug on the back panel and control board
- Warranty: First three years on all parts; First five years frame and cylinder shaft assembly; First five years on cylinder bearings and bearing seals (*parts only*)

OPTIONS

- Third water inlet
- Steam heating



ERGONOMICAL  
CONSTRUCTION



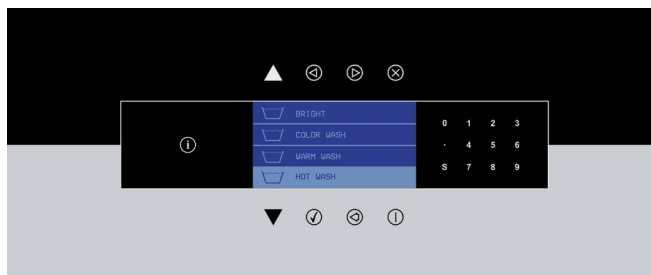
LARGE DOOR  
OPENING



LOW WATER  
AND ENERGY  
CONSUMPTION



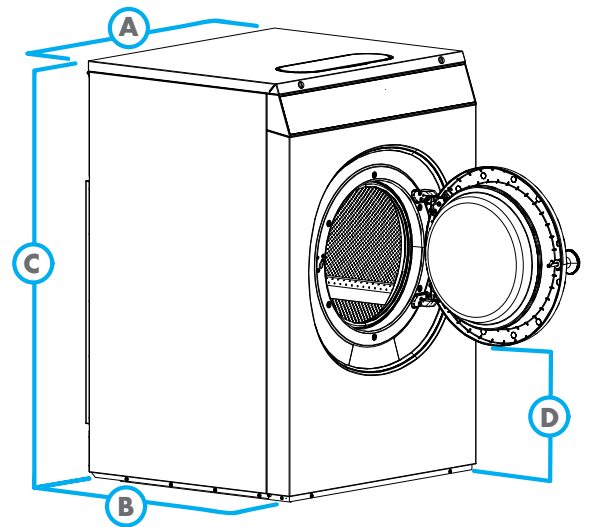
3 YEAR PARTS  
WARRANTY



GET AHEAD IN LAUNDRY 

MODEL		PA20
CONTROL OPTION		XControl+
CAPACITY - lb (kg)		20 (8)
OVERALL WIDTH - in (mm)		25.98 (660)
OVERALL DEPTH - in (mm)		30.91 (785)
OVERALL HEIGHT - in (mm)		43.89 (1115)
CYLINDER DIAMETER - in (mm)		20.87 (530)
CYLINDER VOLUME - cu. ft. (liters)		2.6 (75)
DOOR OPENING SIZE - in (mm)		13 (330)
DOOR BOTTOM TO FLOOR - in (mm)		13.74 (349)
WASH SPEED - RPM		50
EXTRACT SPEED - RPM		580/820
EXTRACT G-FORCE		100 or 200
STEAM HEATING - psi		15-116
SOUND PRESSURE LEVEL - dB (A)		< 65
WATER VALVE CONNECTION - NPT*		0.75"
WATER PRESSURE -psi		15-116
RECOMMENDED WATER PRESSURE - psi		44-73
WATER INLET (EACH) - g/min		5.28
DRAIN VALVE - in (mm)		3 (76)
FLOW AMOUNT W/ DRAIN VALVE - g/min		55.48
FLOOR TO DRAIN OUTLET CENTER - in (mm)		3.46 (88)
SIDE TO DRAIN OUTLET CENTER - in (mm)		6.53 (166)
STEAM VALVE CONNECTION - BSP		0.5"
VOLTAGE/CIRCUIT BREAKER - FLA	120/60/1	10-8.0
	208-240/60/1	10-4.4
SHIPPING DIMENSIONS APPROX. - in (mm)	Width	27.95 (710)
	Depth	32.87 (835)
	Height	49.02 (1245)
NET WEIGHT - lb (kg)		298 (135)
SHIPPING WEIGHT - lb (kg)		320 (145)
AGENCY APPROVALS		cCSAus

\*Fill hoses provided to convert BSP at machine to NPT supply connection.



DIMENSIONS	PA20
A. OVERALL WIDTH - in (mm)	25.98 (660)
B. OVERALL DEPTH - in (mm)	30.91 (785)
C. OVERALL HEIGHT - in (mm)	43.89 (1115)
D. DOOR BOTTOM TO FLOOR - in (mm)	13.74 (349)

AY18-0092

For the most accurate information, the installation guide should be used for all design and construction purposes. Due to continuous product improvements, design and specifications subject to change without notice. The quality management system of Alliance Laundry Systems' Ripon facility has been registered to ISO 9001:2008.

© 2018 Alliance Laundry Systems LLC

[www.primuslaundry.com](http://www.primuslaundry.com)

**primus**

by Alliance Laundry Systems