

ON-PREMISES
RIGID MOUNT WASHER EXTRACTOR

PA30

30lb

PA
RANGE



FEATURES

- Rigid mounted, 100 or 200 G-Force options
- Stainless steel top, front, and side panels
- Stainless steel cylinder and tub
- Patented Cascade™ cylinder for better washability
- XControl+ – fully programmable control
- Patented soap hopper
- Large drain valve
- Front access to vital parts for easy maintenance
- Large door opening for easy loading and unloading
- USB plug on the back panel and control board
- Warranty: First three years on all parts; First five years frame and cylinder shaft assembly; First five years on cylinder bearings and bearing seals (*parts only*)

OPTIONS

- Third water inlet
- Steam heating



ERGONOMICAL
CONSTRUCTION



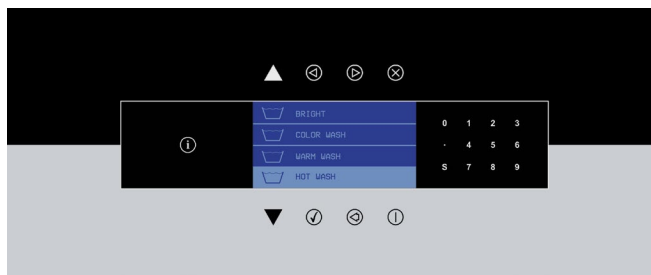
LARGE DOOR
OPENING



LOW WATER
AND ENERGY
CONSUMPTION



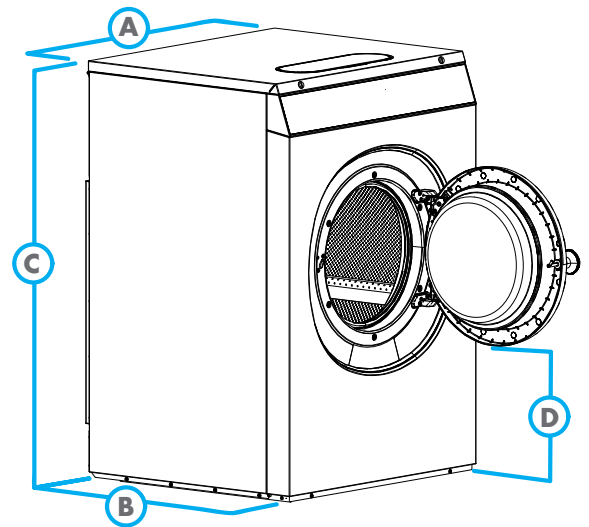
3 YEAR PARTS
WARRANTY



GET AHEAD IN LAUNDRY 

| MODEL | | PA30 |
|--|--|---|
| CONTROL OPTION | | XControl+ |
| CAPACITY - lb (kg) | | 30 (14) |
| OVERALL WIDTH - in (mm) | | 29.53 (750) |
| OVERALL DEPTH - in (mm) | | 35.43 (900) |
| OVERALL HEIGHT - in (mm) | | 48.22 (1225) |
| CYLINDER DIAMETER - in (mm) | | 24.4 (620) |
| CYLINDER VOLUME - cu. ft. (liters) | | 4.8 (136) |
| DOOR OPENING SIZE - in (mm) | | 16.14 (410) |
| DOOR BOTTOM TO FLOOR - in (mm) | | 13.46 (342) |
| WASH SPEED - RPM | | 46 |
| EXTRACT SPEED - RPM | | 540/760 |
| EXTRACT G-FORCE | | 100 or 200 |
| STEAM HEATING - psi | | 15-116 |
| SOUND PRESSURE LEVEL - dB (A) | | < 65 |
| WATER VALVE CONNECTION - NPT* | | 0.75" |
| WATER PRESSURE -psi | | 15-116 |
| RECOMMENDED WATER PRESSURE - psi | | 44-73 |
| WATER INLET (EACH) - g/min | | 5.28 |
| DRAIN VALVE - in (mm) | | 3 (76) |
| FLOW AMOUNT W/ DRAIN VALVE - g/min | | 55.48 |
| FLOOR TO DRAIN OUTLET CENTER - in (mm) | | 3.95 (100) |
| SIDE TO DRAIN OUTLET CENTER - in (mm) | | 8.85 (225) |
| STEAM VALVE CONNECTION - BSP | | 0.5" |
| VOLTAGE/CIRCUIT BREAKER - FLA | | 120/60/1 20-13.3 |
| | | 208-240/60/1 10-7.2 |
| SHIPPING DIMENSIONS APPROX. - in (mm) | | Width 31.5 (800) Depth 37.4 (950) Height 53.35 (1355) |
| NET WEIGHT - lb (kg) | | 419 (190) |
| SHIPPING WEIGHT - lb (kg) | | 441 (200) |
| AGENCY APPROVALS | | cCSAus |

*Fill hoses provided to convert BSP at machine to NPT supply connection.



| DIMENSIONS | | PA30 |
|------------|--------------------------------|--------------|
| A. | OVERALL WIDTH - in (mm) | 29.53 (750) |
| B. | OVERALL DEPTH - in (mm) | 35.43 (900) |
| C. | OVERALL HEIGHT - in (mm) | 48.22 (1225) |
| D. | DOOR BOTTOM TO FLOOR - in (mm) | 13.46 (342) |

AY18-0094

For the most accurate information, the installation guide should be used for all design and construction purposes. Due to continuous product improvements, design and specifications subject to change without notice. The quality management system of Alliance Laundry Systems' Ripon facility has been registered to ISO 9001:2008.

© 2018 Alliance Laundry Systems LLC

www.primuslaundry.com

primus

by Alliance Laundry Systems