

VENDED
RIGID MOUNT WASHER EXTRACTOR

PA
RANGE

PA20

PA25

PA30

20lb

25lb

30lb



FEATURES

- Rigid mounted, 100 or 200 G-Force options
- Stainless steel top, front, and side panels
- Stainless steel cylinder and tub
- Patented Cascade™ cylinder for better washability
- XControl – fully programmable control
- Patented Soap Hopper
- Large drain valve
- Front access to vital parts for easy maintenance
- USB plug on the front of the machine, under the top panel
- Warranty: First five years on all parts; First ten years frame, outer tub and cylinder shaft assembly from breakage; First ten years on bearing house, cylinder bearings and bearing seals (*parts only*)

OPTIONS

- Available activations include: electronic coin drop, dual coin drop, single coin drop, prep for card, prep for coin
- Coin box



ERGONOMICAL
CONSTRUCTION



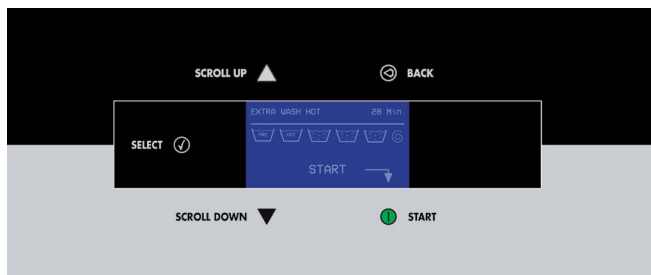
LARGE DOOR
OPENING



LOW WATER
AND ENERGY
CONSUMPTION



5 YEAR PARTS
WARRANTY

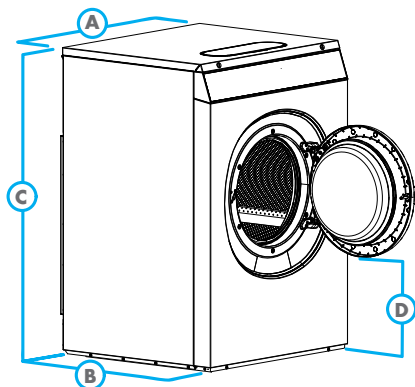


GET AHEAD IN LAUNDRY

MODEL	PA20	PA25	PA30
CONTROL OPTION	XControl	XControl	XControl
CAPACITY - lb (kg)	20 (8)	25 (11)	30 (14)
OVERALL WIDTH - in (mm)	25.98 (660)	29.53 (750)	29.53 (750)
OVERALL DEPTH - in (mm)	30.91 (785)	30.91 (785)	35.43 (900)
OVERALL HEIGHT - in (mm)	43.89 (1115)	48.22 (1225)	48.22 (1225)
CYLINDER DIAMETER - in (mm)	20.87 (530)	24.4 (620)	24.4 (620)
CYLINDER VOLUME - cu. ft. (liters)	2.6 (75)	3.7 (105)	4.8 (136)
DOOR OPENING SIZE - in (mm)	13 (330)	16.14 (410)	16.14 (410)
DOOR BOTTOM TO FLOOR - in (mm)	13.74 (349)	13.46 (342)	13.46 (342)
WASH SPEED - RPM	50	46	46
EXTRACT SPEED - RPM	580/820	540/760	540/760
EXTRACT G-FORCE	100 or 200	100 or 200	100 or 200
SOUND PRESSURE LEVEL - dB (A)	< 65	< 65	< 65
*WATER VALVE CONNECTION - NPT	0.75"	0.75"	0.75"
WATER PRESSURE - psi	15-116	15-116	15-116
RECOMMENDED WATER PRESSURE - psi	44-73	44-73	44-73
WATER INLET (EACH) - g/min	5.28	5.28	5.28
DRAIN VALVE - in (mm)	3 (76)	3 (76)	3 (76)
FLOW AMOUNT W/ DRAIN VALVE - g/min	55.48	55.48	55.48
FLOOR TO DRAIN OUTLET CENTER - in (mm)	3.46 (88)	3.85 (98)	3.95 (100)
SIDE TO DRAIN OUTLET CENTER - in (mm)	6.53 (166)	8.85 (225)	8.85 (225)
VOLTAGE/CIRCUIT BREAKER - FLA	120/60/1 208-240/60/1	10-8.0 10-4.4	15-11.7 10-6.3
SHIPPING DIMENSIONS APPROX. - in (mm)	Width Depth Height	27.95 (710) 32.87 (835) 49.02 (1245)	31.5 (800) 32.87 (835) 53.35 (1355)
NET WEIGHT - lb (kg)	298 (135)	375 (170)	419 (190)
SHIPPING WEIGHT - lb (kg)	320 (145)	408 (185)	441 (200)
AGENCY APPROVALS	cCSAus	cCSAus	cCSAus

*Fill hoses provided to convert BSP at machine to NPT supply connection.

DIMENSIONS	PA20	PA25	PA30
A. OVERALL WIDTH - in (mm)	25.98 (660)	29.53 (750)	29.53 (750)
B. OVERALL DEPTH - in (mm)	30.91 (785)	30.91 (785)	35.43 (900)
C. OVERALL HEIGHT - in (mm)	43.89 (1115)	48.22 (1225)	48.22 (1225)
D. DOOR BOTTOM TO FLOOR - in (mm)	13.74 (349)	13.46 (342)	13.46 (342)



AY18-0102

For the most accurate information, the installation guide should be used for all design and construction purposes. Due to continuous product improvements, design and specifications subject to change without notice. The quality management system of Alliance Laundry Systems' Ripon facility has been registered to ISO 9001:2008.

© 2018 Alliance Laundry Systems LLC

www.primuslaundry.com

primus

by Alliance Laundry Systems