

VENDED
RIGID MOUNT WASHER EXTRACTOR

PA 80

80lb

PA
RANGE



FEATURES

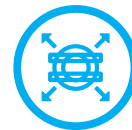
- Rigid mounted, 100 or 150 G-Force options
- XControl – fully programmable control
- Patented Cascade™ cylinder for better washability
- Stainless steel top, front, and side panels
- Stainless steel cylinder and tub
- Patented Soap Hopper
- High capacity water inlets
- Large dual drain valve
- Front access to vital parts for easy maintenance
- USB plug on the front of the machine, under the top panel
- Warranty: First five years on all parts; First ten years frame, outer tub and cylinder shaft assembly from breakage; First ten years on bearing house, cylinder bearings and bearing seals (*parts only*)

OPTIONS

- Available activations include: electronic coin drop, dual coin drop, single coin drop, prep for card, prep for coin
- Coin box



ROBUST DESIGN



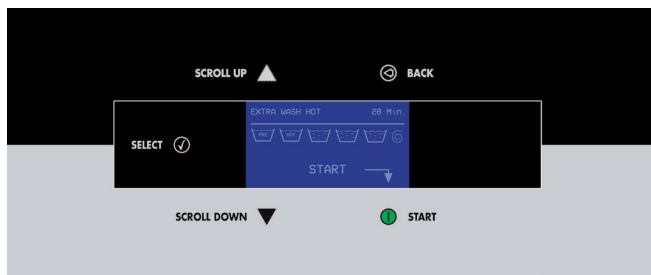
EXTRA LARGE
DOOR



LARGE DRAIN
VALVE CYCLES



5 YEAR PARTS
WARRANTY



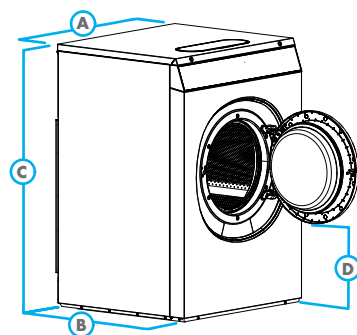
GET AHEAD IN LAUNDRY 

MODEL	PA80	
CONTROL OPTION	XControl	
CAPACITY - lb (kg)	80 (36)	
OVERALL WIDTH - in (mm)	41.73 (1060)	
OVERALL DEPTH - in (mm)	40.55 (1030)	
OVERALL HEIGHT - in (mm)	59.05 (1500)	
CYLINDER DIAMETER - in (mm)	35.98 (914)	
CYLINDER VOLUME - cu. ft. (liters)	11.7 (331)	
DOOR OPENING SIZE - in (mm)	19.84 (504)	
DOOR BOTTOM TO FLOOR - in (mm)	18.31 (465)	
WASH SPEED - RPM	38	
EXTRACT SPEED - RPM	540	
EXTRACT G-FORCE	100 or 150	
SOUND PRESSURE LEVEL - dB (A)	< 65	
*WATER VALVE CONNECTION - NPT	0.75"	
RECOMMENDED WATER PRESSURE - psi	44-73	
WATER INLET (EACH) - g/min	17.44	
DUAL DRAIN VALVE - in (mm)	3 (76)	
FLOW AMOUNT W/ DRAIN VALVE - g/min	110	
FLOOR TO DRAIN OUTLET CENTER - in (mm)	4.72 (120)	
FROM BACK, LEFT SIDE TO DRAIN OUTLET CENTER - in (mm)	12.52 (318)	
FROM BACK, RIGHT SIDE TO DRAIN OUTLET CENTER - in	10.23 (261)	
VOLTAGE/CIRCUIT BREAKER - FLA	200-240/60/1/3**	20-16
	440-480/60/3	15-8.2
SHIPPING DIMENSIONS APPROX. - in (mm)	Width	43.31 (1100)
	Depth	43.31 (1100)
	Height	66.93 (1700)
NET WEIGHT - lb (kg)	904 (410)	
SHIPPING WEIGHT - lb (kg)	100/150	992/1147 (450/520)
AGENCY APPROVALS	cCSAus	

*Fill hoses provided to convert BSP at machine to NPT supply connection.

**Operates on single or three phase systems as single phase.

DIMENSIONS	PA80
A. OVERALL WIDTH - in (mm)	41.73 (1060)
B. OVERALL DEPTH - in (mm)	40.55 (1030)
C. OVERALL HEIGHT - in (mm)	59.05 (1500)
D. DOOR BOTTOM TO FLOOR - in (mm)	18.31 (465)



AY18-0104

For the most accurate information, the installation guide should be used for all design and construction purposes. Due to continuous product improvements, design and specifications subject to change without notice. The quality management system of Alliance Laundry Systems' Ripon facility has been registered to ISO 9001:2008.

© 2018 Alliance Laundry Systems LLC

www.primuslaundry.com

primus

by Alliance Laundry Systems