

## On-Premises **FCU20-79** Heated Roll Ironer



When only the highest quality results will do, our heat-ed-cylinder finishers deliver. They are equipped with a frequency-controlled motor, suspended roll and Nomex® ironing belts to deliver top-of-the-industry results.

### Quality

Huebsch Heated Roll Ironers are offered in finished widths of 55 (1400 mm), 66 (1664 mm), 79 (2000 mm), 82 (2080 mm), 102 (2600 mm) and 126 (3200 mm) inches meaning there's a size to fit the needs of any size laundry.

### Efficient

Thick, polished-steel cylinders maintain even heat and help make the finishers highly efficient. A totally enclosed cabinet also contributes to its energy efficiency.



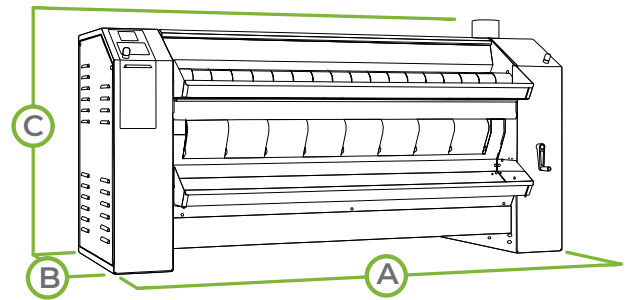
### Microprocessor Control

Huebsch's versatile Microprocessor Control enables you to store temperature and speed settings to ensure consistent, top-quality results. Temperatures can be set up to 355°F and the unit offers multiple speed settings.

## On-Premises FCU20-79 Heated Roll Ironer Specifications

### SPECIFICATIONS

MODEL	FCU20-79	
AVAILABLE CONTROL	Microprocessor	
ROLL DIAMETER - in (mm)	20 (502)	
FINISHING WIDTH - in (mm)	79 (2000)	
IRONING SPEED - ft/m (m/m)	5-26 (1.5-8)	
IRONER DIMENSIONS (working position) - in (mm)	Width	108 1/4 (2750)
	Depth	41 1/2 (1052)
	Height	48 1/2 (1232)
ROLL MOTOR - HP (kw)	0.50 (0.37)	
ROLL EXHAUST MOTOR - HP (kw)	0.34 (0.255)	
ROLL EXHAUST DUCT - in (mm)	6 (150)	
ELECTRIC HEATING	E Heat Input Power - HP (kW)	37.2
	Electric Requirements - Circuit Breaker	230/60/3 - 125
GAS HEATING	Max. Gas Input - Btu (kW)	122,837 (36)
	Gas Inlet - in (mm)	3/4 (19)
	Electric Requirements - Circuit Breaker	230/60/3 - 15
SHIPPING WIDTH - in (mm)	113 1/2 (2885)	
SHIPPING DEPTH - in (mm)	43 (1095)	
SHIPPING HEIGHT - in (mm)	59 (1550)	
SHIPPING WEIGHT - lb (kg)	Electric	2833 (1285)
	Gas	3120 (1415)
NET WEIGHT - lb (kg)	Electric	2249 (1020)
	Gas	2535 (1150)
AGENCY APPROVALS	CSA	



### DIMENSIONS

A.	OVERALL WIDTH - in (mm)	108 1/4 (2750)
B.	OVERALL DEPTH - in (mm)	41 1/2 (1052)
C.	OVERALL HEIGHT - in (mm)	48 1/2 (1232)

For the most accurate information, the installation guide should be used for all design and construction purposes. Due to continuous product improvements, design and specifications subject to change without notice. The quality management system of Alliance Laundry Systems has been registered to ISO 9001.