

Huebsch®

Huebsch

25-35 lb
On-Premises
Drying Tumblers



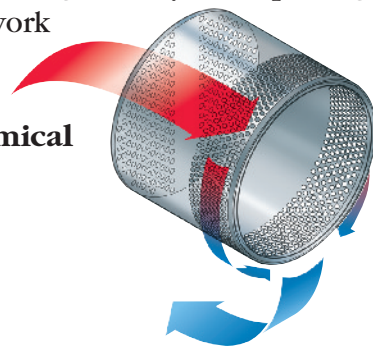
Serving the Laundry Industry For Over 90 Years





Fast, Economical & Efficient

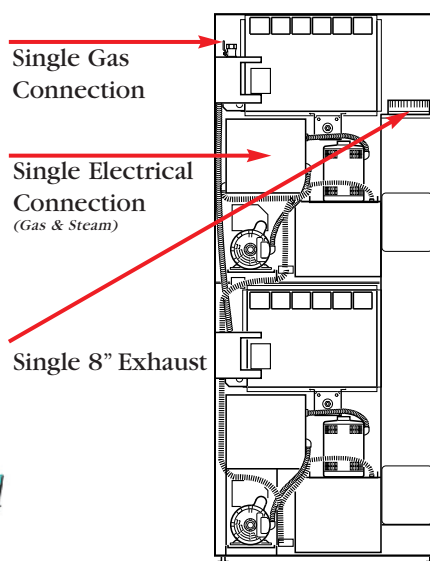
The design of Huebsch's 25 lb, 30 lb, 35 lb and 30 lb stack models feature an **axial airflow** design. This design provides **fast drying** while at the same time reduces overall energy consumption. This innovative drying system directs all of the heated air through the cylinder putting all of the energy to work drying your clothes load. **Fast** for the operator, and **economical** for the owner.



Because on-premises laundries don't have time to deal with the hassles of maintenance and down time, Huebsch drying tumblers deliver reliable performance and much more. Innovative energy-saving features provide a more economical way to get the job done. With so many user-friendly features like a simple push-to-start button, Huebsch is an easy choice for your laundry facility.

Space Saving & Easy to Install

With the shallowest installation depth in the industry, the **HUEBSCH** stack tumbler is a great investment. You get two top-quality tumblers in the space of one. With a single exhaust vent, single electrical connection and single gas connection,



the installation cost is more like that of a single unit. This saves time, material and expense compared to installing twice the number of single units.

Unmatched Warranty

At Huebsch, we're so confident that our quality drying tumblers are built to last, we offer a **THREE** year limited warranty* on the entire machine.

* Parts only, labor not included. See Huebsch Warranty Bond for specifics.

3 year limited warranty*

Quality That Lasts

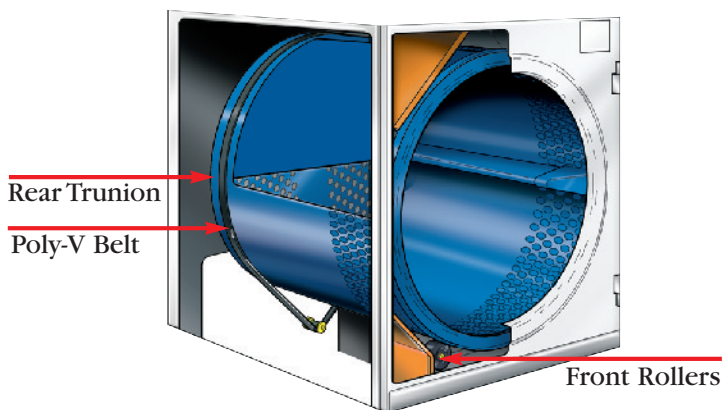
Our **dual motor design** provides separate power for both the rotation of the cylinder and for airflow, ensuring dependable operation of each important system.

Our **stainless steel door** will hold up to rigorous use in the busiest laundries. Our attractive and durable lug hinge design will give your customers the feel of quality for years to come.



The unique design of our tumblers incorporates a **multiple point suspension**. The cylinder is supported both at the front and the rear to ensure that the cylinder rides evenly and that the load is spread over the widest possible area.

The **heavy-duty multi-rib poly-V belt** is designed for years of quiet, trouble-free operation.

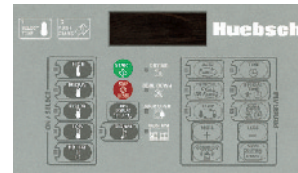


All Huebsch models feature **large lint compartments** to minimize maintenance.

Putting You in Control

Because different businesses have different requirements, Huebsch offers a variety of controls to meet your needs.

Single Models – 25 lb, 30 lb, & 35 lb



Our **microprocessor control** is state-of-the-art. Computerized models feature four preset automatic drying cycles with an option to further customize four additional automatic drying cycles. A fifth setting (no heat) is also available for items requiring special care.



Our **manual dual timer control** models allow operators to easily set both drying time (0-60 minutes), and cooldown time (0-15 minutes), as well as temperature (120°-190° F).

30 lb Stack Models



Double the capacity in the same floor space. Our stack dryers have a **manual dual timer control** that allows operators to dry loads in half the time. With easy-to-set drying and cool down times and temperature controls, this is a great choice for laundries that process larger quantities of smaller loads.

25-35 lb On-Premise Drying Tumbler Specifications

	25 lb Tumbler	30 lb Tumbler	30 lb Stack Tumbler	35 lb Tumbler
Width - in (mm)	28" (711)	28" (711)	31.5" (800)	31.5" (800)
Depth - in (mm)	40.87" (1038)	46.87" (1191)	42.87" (1089)	46.87" (1191)
Height - in (mm)	63.87" (1622)*	63.87" (1622)*	76.25" (1937)	63.87" (1622)*
Cylinder Depth - in (mm)	24" (610)	30" (762)	26" (660)	30" (762)
Cylinder Diameter - in (mm)	26.5" (673)	26.5" (673)	30" (762)	30" (762)
Cylinder Vol. - cu. ft. (liters)	7.7 (217)	9.6 (271)	10.6 (301)	12.3 (347)
Dry Capacity - lb (kg)	25 (11.3)	30 (13.6)	2 x 30 (13.6)	35 (15.9)
Filling Ratios	20:1 = 10.9 kg	20:1 = 13.6 kg	20:1 = 15.1 kg	20:1 = 17.4 kg
Airflow	60 Hz: 450 CFM (212 liters/sec.) 50 Hz: 410 CFM (194 liters/sec.)	60 Hz: 450 CFM (212 liters/sec.) 50 Hz: 410 CFM (194 liters/sec.)	60 Hz: 350 CFM (165 liters/sec.) 50 Hz: 320 CFM (151 liters/sec.)	60 Hz: 520 CFM (245 liters/sec.) 50 Hz: 470 CFM (222 liters/sec.)
Energy Data	Gas Models 64,000 Btu/hr (18.8 kW) Steam Models At 100 psi 3.5 BHP: (6.9 bar), 121,285 Btu/hr (35.5 kW) At 15 psi 2.4 BHP: (1.0 bar), 81,220 Btu/hr (23.8 kW) Electric Models 12.0 kW	Gas Models 73,000 Btu/hr (21.4 kW) Steam Models At 100 psi 3.5 BHP: (6.9 bar), 121,285 Btu/hr (35.5 kW) At 15 psi 2.4 BHP: (1.0 bar), 81,220 Btu/hr (23.8 kW) Electric Models 21.0 kW	Gas Models 146,000 Btu/hr (42.8 kW) Total 73,000 Btu/hr (21.4 kW) Per Pocket Steam Models At 100 psi 2.8 BHP: (6.9 bar), 96,960 Btu/hr (28.4 kW) At 15 psi 2.0 BHP: (1.0 bar), 67,900 Btu/hr (19.9 kW) Electric Models 21.0 kW	Gas Models 90,000 Btu/hr (26.4 kW) Steam Models At 100 psi 4.0 BHP: (6.9 bar), 137,345 Btu/hr (40.2 kW) At 15 psi 2.8 BHP: (1.0 bar), 95,000 Btu/hr (27.8 kW) Electric Models 24.0 kW
Electrical Specifications	Gas and Steam Models Amps 120/208-240/60/1; 2W+G 12.0/6.7 100/200-220/60/1; 2W+G 11.0/5.8 100/200/50/1; 2W+G 12.1/7.5 230-240/50/1; 2W+G 7.5 200-208/240/60/3; 3W+G 3.2/3.2 200/50/3; 3W+G 2.9 230-240/50/3; 3W+G 3.5 380/400-415/50/3; 3W+G 1.5/1.6 460-480/60/3; 3W+G 1.6 Electric Models 208/60/1; 2W+G 64.0 240/60/1; 2W+G 56.7 200/60/1; 2W+G 64.0 200/50/1; 2W+G 63.0 230-240/50/1; 2W+G 57.5 200-208/60/3; 3W+G 36.5 200/50/3; 3W+G 36.4 230-240/50/3; 3W+G 33.3 240/60/3; 3W+G 32.8 380/50/3; 3W+G 19.8 400-415/50/3; 3W+G 18.4 460-480/60/3; 3W+G 16.1	Gas and Steam Models Amps 120/208-240/60/1; 2W+G 12.0/6.7 100/200-220/60/1; 2W+G 11.0/5.8 100/200/50/1; 2W+G 12.1/7.5 230-240/50/1; 2W+G 7.5 200-208/240/60/3; 3W+G 3.2/3.2 200/50/3; 3W+G 2.9 230-240/50/3; 3W+G 3.5 380/400-415/50/3; 3W+G 1.5/1.6 460-480/60/3; 3W+G 1.6 Electric Models 208/60/1; 2W+G 107.7 240/60/1; 2W+G 94.2 200/60/1; 2W+G 107.7 200/50/1; 2W+G 104.6 230-240/50/1; 2W+G 95.0 200-208/60/3; 3W+G 62.2 200/50/3; 3W+G 60.4 230-240/50/3; 3W+G 54.9 240/60/3; 3W+G 54.4 380/50/3; 3W+G 33.4 400-415/50/3; 3W+G 30.9 460-480/60/3; 3W+G 26.9	Gas and Steam Models Amps 120/208-240/60/1; 2W+G 16.0/8.2 100/200-220/60/1; 2W+G 22.0/11.6 100/200/50/1; 2W+G 24.2/15.0 230-240/50/1; 2W+G 15.0 200-208/240/60/3; 3W+G 6.3/6.3 200/50/3; 3W+G 5.8 230-240/50/3; 3W+G 7.0 380/400-415/50/3; 3W+G 3.0/3.2 460-480/60/3; 3W+G 3.3 Electric Models* 200-208/60/3; 3W+G 62.2/PKT† 200/50/3; 3W+G 60.4/PKT† 230-240/50/3; 3W+G 54.8/PKT† 240/60/3; 3W+G 53.0/PKT† 380/50/3; 3W+G 33.5/PKT† 400-415/50/3; 3W+G 30.9/PKT† 460-480/60/3; 3W+G 26.9/PKT†	Gas and Steam Models Amps 120/208-240/60/1; 2W+G 12.0/6.7 100/200-220/60/1; 2W+G 11.0/5.8 100/200/50/1; 2W+G 12.1/7.5 230-240/50/1; 2W+G 7.5 200-208/240/60/3; 3W+G 3.2/3.2 200/50/3; 3W+G 2.9 230-240/50/3; 3W+G 3.5 380/400-415/50/3; 3W+G 1.5/1.6 460-480/60/3; 3W+G 1.6 Electric Models 208/60/1; 2W+G 122.1 240/60/1; 2W+G 106.7 200/60/1; 2W+G 122.1 200/50/1; 2W+G 118.5 230-240/50/1; 2W+G 107.5 200-208/60/3; 3W+G 70.5 200/50/3; 3W+G 65.4 230-240/50/3; 3W+G 62.1 240/60/3; 3W+G 61.6 380/50/3; 3W+G 38.0 400-415/50/3; 3W+G 35.0 460-480/60/3; 3W+G 30.5
Plumbing Connections	Gas Models: 1/2"-NPT Steam Models: 3/4"-NPT	Gas Models: 1/2"-NPT Steam Models: 3/4"-NPT	Gas Models: 1/2"-NPT 1 manifold gas connection Steam Models: 3/4"-NPT	Gas Models: 1/2"-NPT Steam Models: 3/4"-NPT
Net Weight - lb (kg)	299 (135)	331 (150)	544 (247)	361 (164)
Shipping Wt. - lb (kg)	332 (151)	364 (165)	582 (264)	394 (179)
Shipping Dimensions - in (mm)	W 30" (762) D 43" (1920) H 69" (1753)	W 30" (762) D 49" (1245) H 69" (1753)	W 32.5" (825) D 47" (1194) H 81" (2057)	W 33" (838) D 49" (1245) H 69" (1753)
Agency Approvals	Electric Models: cUL _{us} , CE Gas Models: CSA Star, CSA Flame cCSA _{us} , CE, Australia Gas	Electric Models: cUL _{us} , CE Gas Models: CSA Star, CSA Flame cCSA _{us} , CE, Australia Gas	Electric Models: cUL _{us} , CE Gas Models: CSA Star, CSA Flame cCSA _{us} , CE, Australia Gas	Electric Models: cUL _{us} , CE Gas Models: CSA Star, CSA Flame cCSA _{us} , CE, Australia Gas

† Per Pocket

* Also available in optional heights of 72 1/4" (1835 mm) and 76 1/4" (1937 mm).

** Not available in Canada.

*** Not available in EU.

Tumbler models are made to suit a variety of electrical service characteristics. See your Huebsch distributor for specifications. Door opening – 22.68" (576 mm). Motor size: fan – 1/4 HP (246W); cylinder – 1/4 HP (187W). Air outlet diameter on 0220S/0270S – 6" (152 mm); 0300D/0350S – 8" (203 mm) with one manifold vent connection on 0300D. For further details on installation refer to Installation, Operation and Maintenance instructions supplied with the tumbler.

Both gas model designs are certified by the American and Canadian Gas Association. Electric and steam models are C.S.A. certified.

Due to continuous product improvements, design and specifications subject to change without notice.

The quality management systems at all Alliance Laundry Systems manufacturing facilities are registered as ISO9001:2000 compliant. Amperage ratings available in Installation Manual.

© Copyright 2005 Alliance Laundry Systems LLC