



ENERGY-SAVING TECHNOLOGY BASED ON WATER ABSORPTION VERIFICATION

SmartWAVE, precision engineered technology, determines automatically the absorption ability of the linen at the start of the cycle and consequently adjusts the water levels in every segment of the wash program accordingly.

Dependable

- Frame made of welded steel plate to increase life
- Large door allows easy loading and unloading
- Improved door lock and ergonomic door handle
- Top panel, front panel & door made out of stainless steel AISI441
- Cylinder & axle made out of stainless steel AISI304
 - › 4 tilting ribs for a perfect distribution of the linen
 - › Holes in ribs for an optimal rinsing effect
- Pulleys and oversized bearing house made of cast iron

Efficient

- Optimized wash programs
 - › Accurately measured consumption lab data
 - › Optimal wash quality
- 4-compartment soap dispenser (2 for powder and 2 for liquid soap)
 - › Lid with clear symbols for perfect dosage
- Drain mounted directly under the tub
 - › Reduction of water consumption
 - › Water re-use capable
- Minimal distance between tub & drum results in a reduced water consumption
- SmartWAVE optimizes the wash cycle to reduce water, energy and detergent consumption

Intuitive

- Cygnus Ultra Pro
 - › Large LCD screen with universal symbols and ability to change program names using any language make Cissell machine operation easy and intuitive
 - › 10 Optimized wash programs with the capability to add an additional 50 wash cycles for a total of 60 wash cycles offers flexibility to meet the needs of any OPL laundry facility
 - › An extensive help-function offers more than just an error code, it includes an explanation of the problem and provides assistance to solve the issue
 - › Complete history / logbook of all the wash facts can be reviewed on screen or downloaded into Cygnus Assist
 - › Extra functions grant unlimited flexibility including rapid advance, soak, ECO-function, pre-defined start, etc.
- Cygnus Select
 - › Infrared connectivity allows you to easily program cycles from anywhere with a PC or laptop offering increased flexibility
 - › History logs and service reminders that let technicians better diagnose issues which decreases downtime
 - › Universal symbols and overlay text in English and Spanish maximize the usability of your equipment
 - › Six wash cycles to allow for the needed flexibility of on-premises laundry operations

CH040

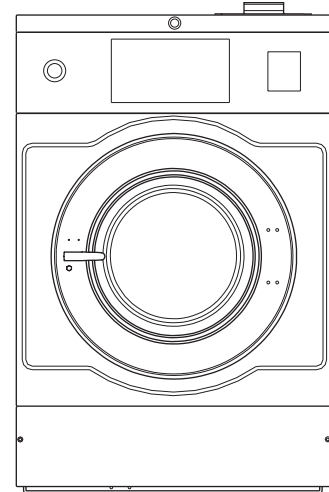
Technical Specifications

Cylinder capacity 1/9 (lb)	44.3
Cylinder capacity 1/10 (lb)	39.9
Cylinder volume (cu ft)	6.4
Cylinder diameter (inch)	26.77
Cylinder depth (inch)	19.69
Perforations diameter (inch) - standard	0.12
Perforations diameter (inch) - option	0.35
Door-opening diameter (inch)	15.75
Height under door (inch)	11.81
Height to doorhandle (inch)	23.23
Door swing (°)	110
Normal spin speed cylinder (rpm)	100-470
Fast spin speed cylinder (rpm)	100-660
Wash speed cylinder (rpm)	10-50
G-Force normal spin	83
G-Force fast spin	165
Kinetic energy of the cylinder normal spin (J)	8840
Kinetic energy of the cylinder fast spin (J)	17431
Dynamic bottom load normal spin (N/Hz)	3348/7.8
Dynamic bottom load fast spin (N/Hz)	6738/11
Noise (dBA) (wash/spin)	62/73
Power motor (hp)	2.0
Inverter (hp)	2.0
Water pressure (psi)	28-85
Hot water temp (°F) OPL	150
Water supply (inch)	2 x 3/4"
Diameter drain (inch)	3
Drain by gravity (gallons/min)	42.27
Steam pressure (psi)	28-78
Steam connection	1 x 3/8"
Net unit weight (lb)	620
Net unit dimensions (HxWxD) (inch)	47.95 x 30.71 x 38.58
Std Pkg weight (lb)	708
Std Pkg Ship Dim. (HxWxD) (inch)	52.36 x 33.86 x 41.73

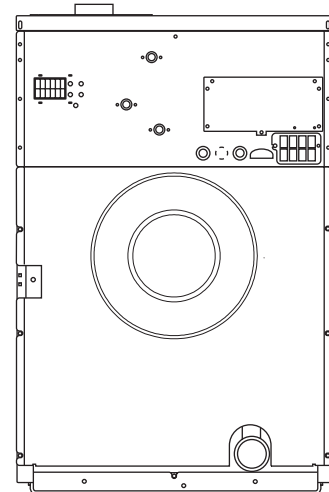
Voltages

Boiler Fed/Steam N:440-480;50/60;3;3+PE	15A
Boiler Fed/Steam X-Q:200-240;50/60;1/3;2/3+PE	15A

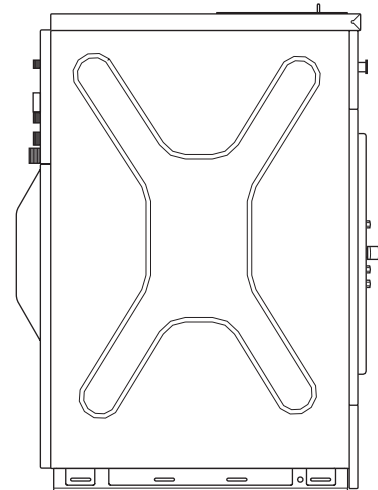
Front View



Back



Side View



All specifications subject to change without notice

