

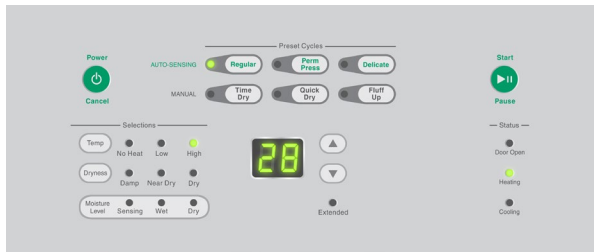
# SPEED QUEEN ON-PREMISES LAUNDRY

## REAR CONTROL LDEE7RWS173TW01, LDGE7RWS113TW01, LDE30RGS173TW01, LDE30RGS153TW01, LDG30RGS113TW01, SDE807WF, SDE807WF1500, SDG809WF SINGLE DRYER

### Single Dryers

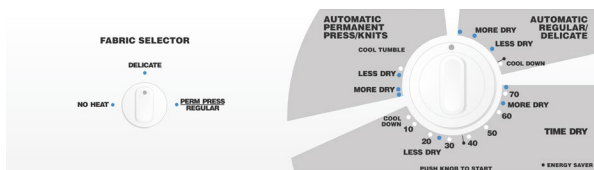
With an easy-to-clean large lint compartment and a reversible door to accommodate your laundry design, Speed Queen® single dryers are designed to suit your laundry's specific needs. The 2.06 sq. ft. door opening is the largest in the industry, providing easy loading and unloading.

- Durable galvanized steel cylinder with an extra-large 7 cu. ft. of volume.
- Efficient dryer heating with 25,000 Btu (gas models) and 5,320 Watts (electric models).



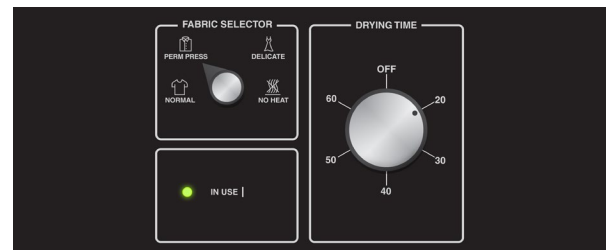
### Electronic Homestyle

Speed Queen® dryers with Electronic Homestyle controls are designed for durability and are easy to operate with intuitive selection buttons and cycle status indicator lights. This control option features a time-remaining display, six preset cycle buttons, cycle adjustability for temperature and load size.



### Mechanical Homestyle

Speed Queen® dryers with Mechanical Homestyle controls are designed for durability and are easy to operate with a multi-cycle timer knob and automatic dry cycles.



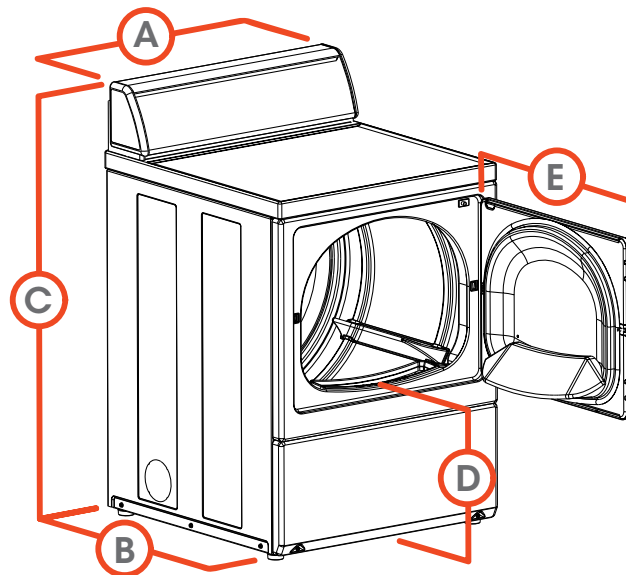
### E-Mech

The E-Mech control features a straightforward design that offers users simple temperature and fabric selections. Cue lights keep them aware of whether the machine is in use, as well as the current cycle status. Available on rear control single dryers.

# SPECIFICATIONS

## SINGLE DRYER

MODEL/ CONTROL OPTION	Electronic Homestyle	<b>LDEE7RWS173TW01, LDGE7RWS113TW01</b>
	Mechanical Homestyle	<b>LDE30RGS173TW01, LDE30RGS153TW01, LDG30RGS113TW01</b>
	E-Mech	<b>SDE807WF, SDE807WF1500, SDG809WF</b>
CONTROL LOCATION	Rear	
CAPACITY - lb (kg)	18 (8.2)	
CYLINDER VOLUME - cu. ft. (liters)	7.0 (198)	
OVERALL WIDTH - in (mm)	26 7/8 (683)	
OVERALL DEPTH - in (mm)	28 (711)	
OVERALL HEIGHT - in (mm)	43 (1092)	
MOTOR POWER CONSUMPTION - hp (kw) VARIABLE SPEED INDUCTION	1/3 (0.25)	
AVAILABLE HEAT SOURCES	Gas or Electric	
AVAILABLE HEATING ELEMENT (Electric W)	5350 @ 240V	
GAS INLET CONNECTION - in (mm)	3/8 (9.5)	
GAS CONSUMPTION - BTU/Hr	22,500	
EXHAUST OUTLET DIA. - in (mm)	4 (102)	
EXHAUST AIRFLOW - cfm (liters/sec)	220 (105)	
*AVAILABLE CYCLES	Regular, Perm Press, Delicate, Time Dry, Quick Dry, Fluff Up	
CYCLE INDICATOR LIGHTS	Yes	
CYLINDER FINISH	Galvanized or White	
AVAILABLE COLORS	White	
DOOR TYPE (Solid/Window)	Solid	
AVAILABLE ELECTRICAL REQUIREMENTS - Voltage/Hz/Ph - Circuit Amperage	Electric	120/240/60/1 -30
	Gas	120/60/1 - 15
SHIPPING DIMENSIONS APPROX. - in (mm)	Width	29 (737)
	Depth	32 3/4 (832)
	Height	45 1/2 (1156)
NET WEIGHT - lb (kg)	Electric	130 (59)
	Gas	135 (61)
SHIPPING WEIGHT - lb (kg)	Electric	140 (64)
	Gas	145 (66)
AGENCY APPROVALS	Electric	cULus
	Gas	cCSAus



A.	OVERALL WIDTH - in (mm)	26 7/8 (683)
B.	OVERALL DEPTH - in (mm)	28 (711)
C.	OVERALL HEIGHT - in (mm)	43 (1092)
D.	FLOOR TO DOOR OPENING - in (mm)	15 7/16 (392)
E.	DOOR SWING - in (mm)	23 1/2 (597)

ADA Compliant

Note: Not all options are available for all models. Refer to the price list for the available models and options.

\* Information shown applies to highest end control available.

For the most accurate information, the installation guide should be used for all design and construction purposes. Due to continuous product improvements, design and specifications subject to change without notice. The quality management system of Alliance Laundry Systems' Ripon facility has been registered to ISO 9001:2008.