

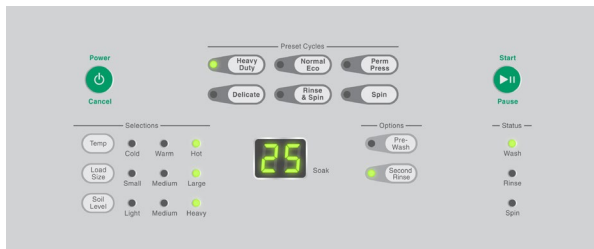
SPEED QUEEN ON-PREMISES LAUNDRY

REAR CONTROL LWNE52SP1 1 3TW01, LWN432SP1 1 3TW04, SWNMN2SP1 1 2TW01 TOP LOAD WASHER

Top Load Washers

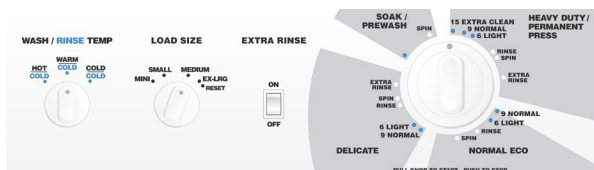
Our top load washers are constructed from heavy-duty components to ensure an extended life in your laundry operation, including a stainless steel washtub, all-metal transmission and a commercial-grade cabinet finish. Compliant with the current U.S. Department of Energy water and energy standards for commercial washers, your laundry will realize significant savings in water and energy costs.

- Extra large capacity stainless steel tub ensures long-lasting, dependable performance.
- Advanced suspension system eliminates the possibility of an unbalanced load.
- Curved four-vane agitator delivers an industry-best 210° wash stroke that produces unparalleled cleaning results.



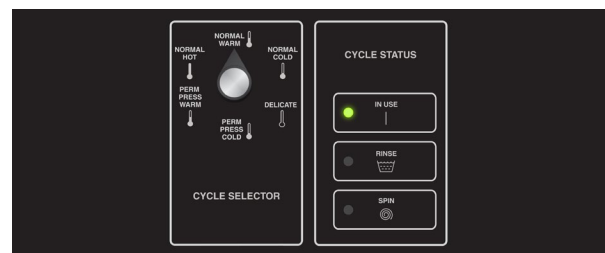
Electronic Homestyle

The Electronic Homestyle control is durable and easy to operate with intuitive selection buttons. It features a time-remaining display, six preset cycle buttons, cycle adjustability, along with additional cycle enhancer options for a pre-wash or second rinse cycle.



Mechanical Homestyle

Speed Queen® washers with Mechanical Homestyle controls are designed for durability and are easy to operate with a multi-cycle timer knob and extra rinse switch.



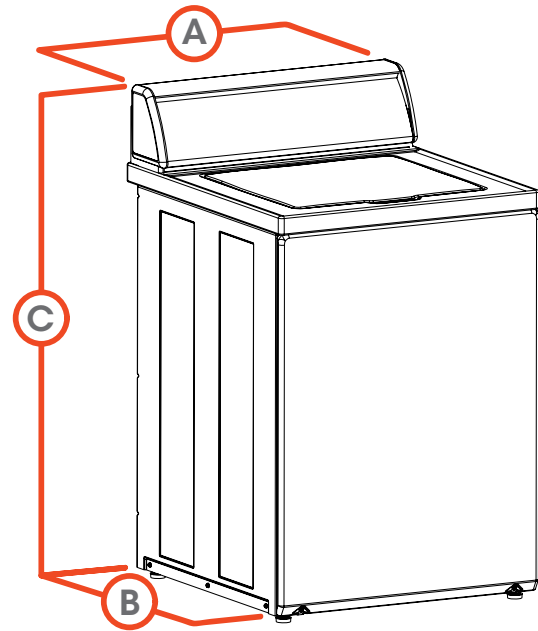
E-Mech

The E-Mech control features a straightforward design that offers users simple water temperature and fabric selections, and uses cue lights to monitor progress through the wash cycle.

SPECIFICATIONS

TOP LOAD WASHER

MODEL/ CONTROL OPTION	Electronic Homestyle	LWNE52SP113TW01
	Mechanical Homestyle	LWN432SP113TW04
	E-Mech	SWNMN2SP112TW01
CONTROL LOCATION	Rear	
CAPACITY - lb (kg)	16 (7.3)	
CYLINDER VOLUME - cu. ft. (liters)	3.26 (92.3)	
OVERALL WIDTH - in (mm)	25 5/8 (650)	
OVERALL DEPTH - in (mm)	28 (711)	
OVERALL HEIGHT - in (mm)	43 (1092)	
SPIN SPEED G-FORCE -RPM	150 (710)	
MOTOR POWER CONSUMPTION - hp (kw) VARIABLE SPEED INDUCTION	1/2 (0.37)	
WATER CONSUMPTION PER CYCLE -g (l)	24.3 (92.2)	
WF (Water Factor)	1.29	
MEF (Modified Energy Factor)	8.4	
AVAILABLE WATER TEMPERATURES	3	
*AVAILABLE CYCLES	Heavy Duty, Normal Eco, Perm Press, Delicate, Rinse & Spin, Spin Only	
WATER PRESSURE -PSI (Bar)	20-120 (1.4/8.3)	
CYCLE INDICATOR LIGHTS	Yes	
CYLINDER FINISH	Stainless Steel	
AVAILABLE COLORS	White	
AVAILABLE ELECTRICAL REQUIREMENTS - Voltage/Hz/Ph - Circuit Amperage	120/60/1 -15	
SHIPPING DIMENSIONS APPROX. - in (mm)	Width	27 1/2 (699)
	Depth	30 (762)
	Height	44 1/4 (1124)
NET WEIGHT - lb (kg)	180 (82)	
SHIPPING WEIGHT - lb (kg)	195 (88)	
AGENCY APPROVALS	cULus	



A.	OVERALL WIDTH - in (mm)	25 5/8 (650)
B.	OVERALL DEPTH - in (mm)	28 (711)
C.	OVERALL HEIGHT - in (mm)	43 (1092)

ADA Compliant

Note: Not all options are available for all models. Refer to the price list for the available models and options.

* Information shown applies to highest end control available.

For the most accurate information, the installation guide should be used for all design and construction purposes. Due to continuous product improvements, design and specifications subject to change without notice. The quality management system of Alliance Laundry Systems' Ripon facility has been registered to ISO 9001:2008.