

# SPEED QUEEN ON-PREMISES LAUNDRY

## FRONT CONTROL LFNE5BSP1 13TW01, LFNE5BJP1 13TW01 FRONT LOAD WASHER

### Front Load Washers

Designed to be everything you never thought a washing machine could be, the revolutionary Speed Queen® front load washers feature an unprecedented amount of cutting-edge innovations to help you improve performance and minimize costs.

- Revolutionary balancing technology redistributes unbalanced load for uninterrupted wash cycles.
- Increase spin speed extracts 440 G-Force to maximize moisture removal and lower drying times.
- 20% increase in capacity with improved water usage to decrease operating costs.
- Redesigned 4-compartment soap dispenser for simplified use and cleaning.



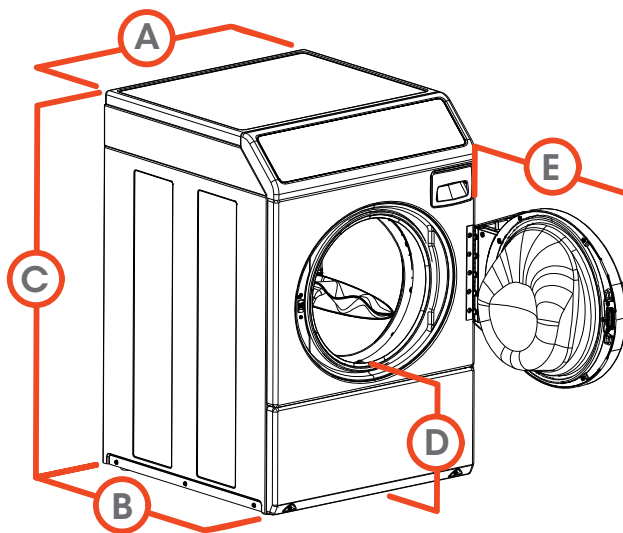
### Electronic Homestyle

Speed Queen® washers with Electronic Homestyle controls are designed for durability and are easy to operate with intuitive selection buttons and cycle status indicator lights. This control option features a time-remaining display, six preset cycle buttons, cycle adjustability for temperature, load size and soil levels along with additional cycle enhancer options for a pre-wash or second rinse cycle.

# SPECIFICATIONS

## FRONT LOAD WASHER

MODEL	<b>LFNE5BSP113TW01</b> <b>LFNE5BJP113TW01</b>
CONTROL OPTION	Electronic Homestyle
CONTROL LOCATION	Front
CAPACITY - lb (kg)	21.5 (10)
CYLINDER VOLUME - cu. ft. (liters)	3.42 (96.8)
OVERALL WIDTH - in (mm)	26.875 (683)
OVERALL DEPTH - in (mm)	27.73 (704)
OVERALL HEIGHT - in (mm)	40.42 (1027)
SPIN SPEED G-FORCE -RPM	440 (1200)
MOTOR POWER CONSUMPTION - hp (kw) VARIABLE SPEED INDUCTION	0.9 (0.67)
WATER CONSUMPTION PER CYCLE -g (l)	11.7 (44.3)
WF (Water Factor)	3.7
MEF (Modified Energy Factor)	2.38
AVAILABLE WATER TEMPERATURES	3
*AVAILABLE CYCLES	Heavy Duty, Normal Eco, Perm Press, Delicate, Rinse & Spin, Spin Only
WATER PRESSURE -PSI (Bar)	20-120 (1.4/8.3)
CYCLE INDICATOR LIGHTS	Yes
CYLINDER FINISH	Stainless Steel
AVAILABLE COLORS	White
DOOR TYPE (Solid/Window)	Window
AVAILABLE ELECTRICAL REQUIREMENTS - Voltage/Hz/Ph - Circuit Amperage	120/60/1 - 15
SHIPPING DIMENSIONS APPROX. - in (mm)	Width 30 (762) Depth 34 (864) Height 44.5 (1130)
NET WEIGHT - lb (kg)	260 (118)
SHIPPING WEIGHT - lb (kg)	270 (122)
AGENCY APPROVALS	cULus



A.	OVERALL WIDTH - in (mm)	26.875 (683)
B.	OVERALL DEPTH - in (mm)	27.73 (704)
C.	OVERALL HEIGHT - in (mm)	40.42 (1027)
D.	FLOOR TO DOOR OPENING - in (mm)	14.6 (371)
E.	DOOR SWING - in (mm)	24.06 (611)

ADA Compliant

Note: Not all options are available for all models. Refer to the price list for the available models and options.

\* Information shown applies to highest end control available.

For the most accurate information, the installation guide should be used for all design and construction purposes. Due to continuous product improvements, design and specifications subject to change without notice. The quality management system of Alliance Laundry Systems' Ripon facility has been registered to ISO 9001:2008.