

Speed Queen®

Laundry Room Checklist for the Stack Dryer/Dryer

- My laundry room has a minimum available height of 75 3/8".
- My laundry room has a minimum available width of 26 7/8".
- My laundry room has a minimum available depth of 32".

The heat source I prefer is:

- Gas Electric

My laundry room meets the following installation requirements...

For Electric Models

- Two - 240 Volt/60 Hertz/1Phase/30 Amp circuits
- Two - 4" vents



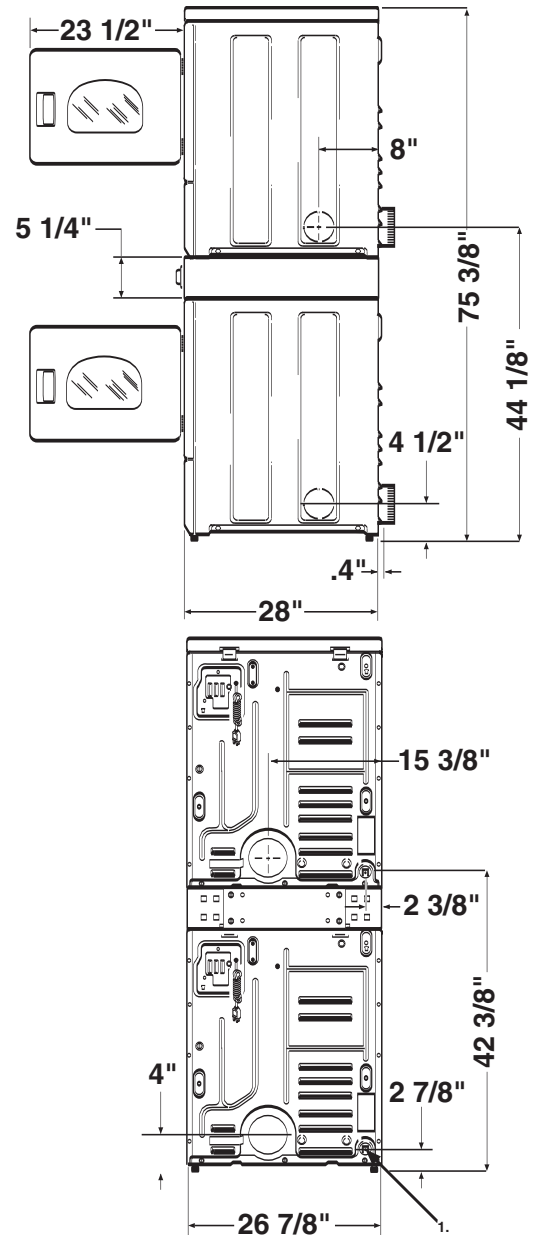
3 Wire



4 Wire

For Gas Models

- Two - 120 Volt/60 Hertz/1Phase/15 Amp circuits
- One - Standard 1/2" gas inlet
- Two - 4" vents



1. 3/8 in. NPT Gas Connection

DRY2062N



Speed Queen, the trusted name in washing machines for more than 90 years, takes pride in manufacturing tough, reliable, long-lasting washers, and dryers. As the leading commercial laundry equipment manufacturer, we use our expertise to create American-built machines that deliver top-of-the-line performance. **Laundry — it's all we do.**

Due to the continuous product improvements, design and specifications subject to change without notice.

© Copyright 2004 Alliance Laundry Systems LLC