

Product Options & Dimensions

Washers & Dryers

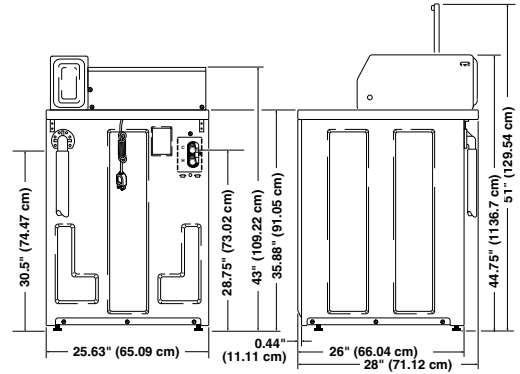


Topload Washer

Washer has 3/4" (1.87 cm) connection for water mixing valve. Two water inlet hoses supplied with washer.

Drain hose is 5' (150 cm) long. One inch (2.5 cm) inside diameter.

Power cord has three-prong U.L. approved plug for connection to a grounded three-wire, 120 volt, 60 Hz electrical circuit. 15 to 20 amp. Use at least No. 12 wire, heavier for long distances.



W5531



Dimensions are with leveling legs. Stand pipe should be 36" high.

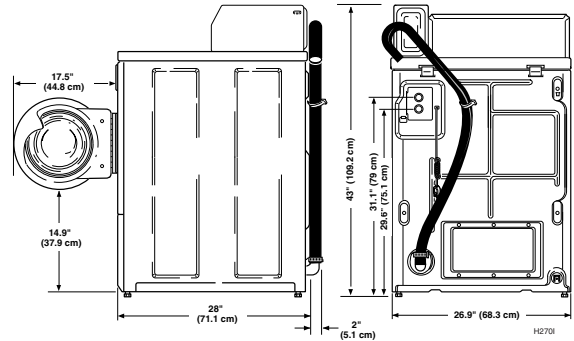


Horizon Frontload Washer

Washer has 3/4" (1.87 cm) connection for water mixing valve. Two water inlet hoses supplied with washer.

Drain hose is 4' (122 cm) long. One inch (2.5 cm) inside diameter.

Power cord has three-prong U.L. approved plug for connection to a grounded three-wire, 120 volt, 60 Hz electrical circuit. 15 to 20 amp. Use at least No. 12 wire, heavier for long distances.



H2701



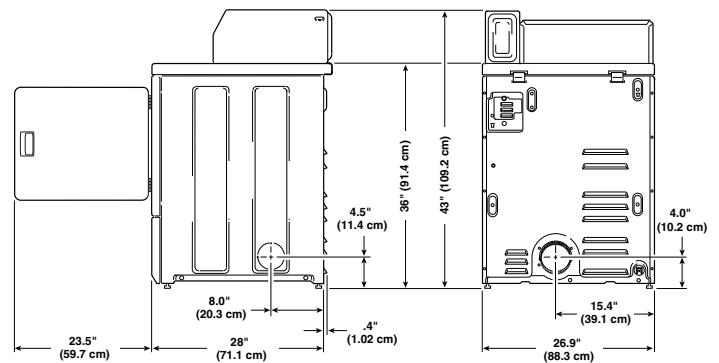
Dimensions are with leveling legs. Stand pipe should be 36" high.



Small Dryer

Electric dryer can be exhausted in any direction, vented out rear, either side or base. Gas models have 3-way venting: right side, back and base.

Gas dryers available for natural gas, L.P. gas kit available. L.P. Gas Conversion Kit must be installed by the Manufacturer's Authorized Dealers, Distributors, or local service personnel. Power cord is furnished (120/60/1).



D6111



Electric dryer models do not have power cord furnished (120/240/60/1 or 120/208/60/1).

Product Options & Dimensions

Washers & Dryers

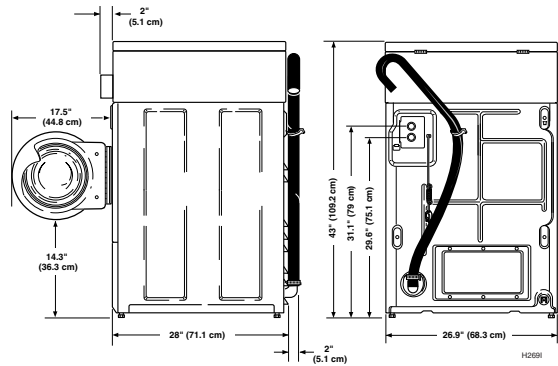


Horizon Frontload Washer

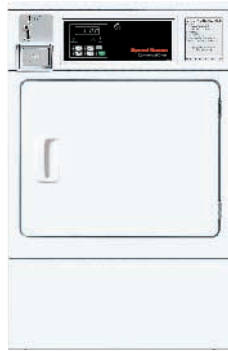
Washer has 3/4" (1.87 cm) connection for water mixing valve. Two water inlet hoses supplied with washer.

Drain hose is 4' (122 cm) long. One inch (2.5 cm) inside diameter.

Power cord has three-prong U.L. approved plug for connection to a grounded three-wire, 120 volt, 60 Hz electrical circuit. 15 to 20 amp. Use at least No. 12 wire, heavier for long distances.



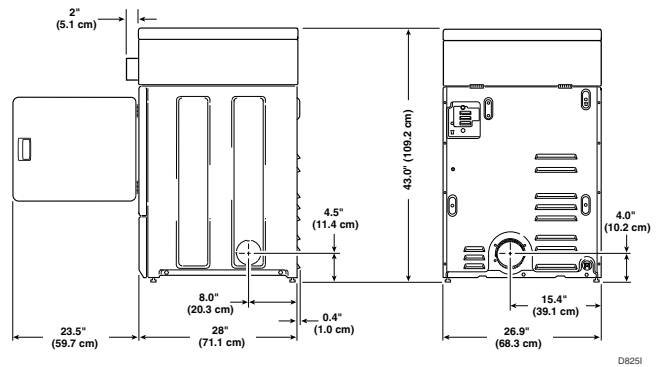
Dimensions are with leveling legs. Stand pipe should be 36" high.



Horizon Frontload Dryer

Electric dryer can be exhausted in any direction, vented out rear, either side or base. Gas models have 3-way venting: right side, back and base.

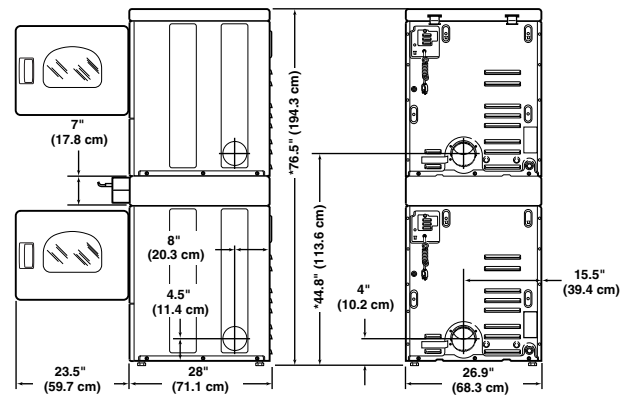
Gas dryers available for natural gas, L.P. gas kit available. L.P. Gas Conversion Kit must be installed by the Manufacturer's Authorized Dealers, Distributors, or local service personnel. Power cord is furnished (120/60/1).



Electric dryer does not have power cord furnished 120/240/60/1, (may be converted to 120/208/60/1).

Gas Supply Connection: 3/8" (.937 cm) pipe provided at rear. Stacked dryer is delivered complete as one unit. Factory equipped for natural gas operation only. L.P. kits available.

L.P. Gas Conversion Kit must be installed by the Manufacturer's Authorized Dealers, Distributors, or local service personnel.



*With leveling legs turned into base.

NOTE: Not all models have windows.

Stacked Dryer



Solid door or door with window available.



Product Options & Dimensions

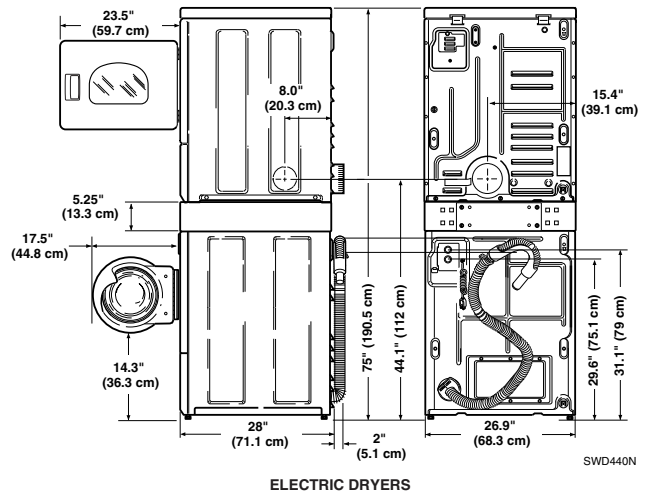
Washers & Dryers



Horizon Stacked Washer/Dryer

Gas Supply Connection: 3/8" (.937 cm) pipe provided at rear. Stacked washer/dryer is delivered complete as one unit. Factory equipped for natural gas operation only. L.P. kits available.

L.P. Gas Conversion Kit must be installed by the Manufacturer's Authorized Dealers, Distributors, or local service personnel.



ELECTRIC DRYERS

*With leveling legs turned into the base.

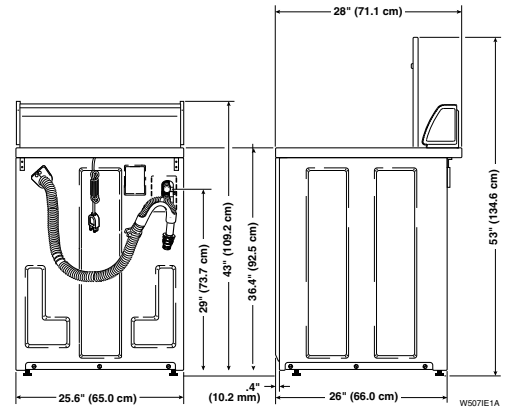


Commercial/Homestyle Washer

Washer has 3/4" (1.87 cm) connection for water mixing valve. Two water inlet hoses supplied with washer.

Drain hose is 5' (150 cm) long. One inch (2.5 cm) inside diameter.

Power cord has three-prong U.L. approved plug for connection to a grounded three-wire, 120 volt, 60 Hz electrical circuit. 15 to 20 amp. Use at least No. 12 wire, heavier for long distances.



W5571E1A

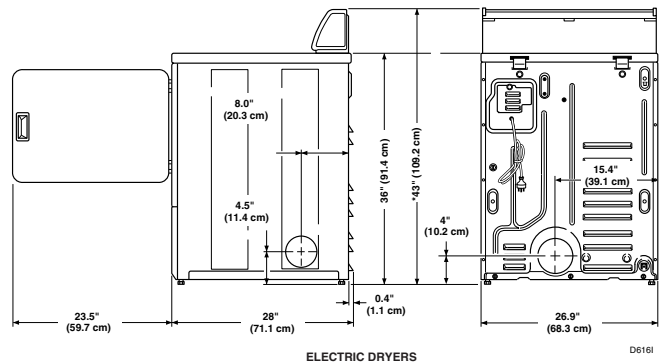


Commercial/Homestyle Dryer

Dimensions are with leveling legs. Stand pipe should be as high as the washer top.

Electric dryer can be exhausted in any direction, vented out rear, either side or base. Gas models have 3-way venting: right side, back and base.

Gas dryers available for natural gas, L.P. gas kit available. L.P. Gas Conversion Kit must



ELECTRIC DRYERS

D6161

*With leveling legs turned into the base.

be installed by the Manufacturer's Authorized Dealers, Distributors, or local service personnel. Power cord is furnished (120/60/1).

Electric dryer does not have power cord furnished (120/240/60/1).



Product Options & Dimensions

Homestyle Washers & Dryers



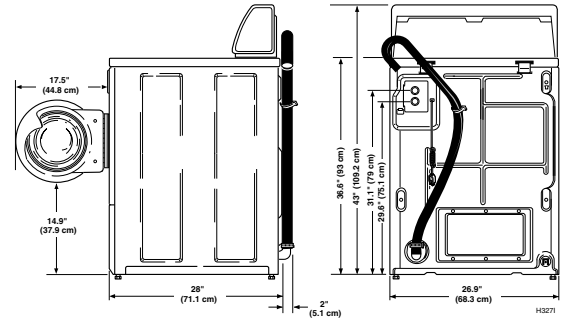
Commercial/Homestyle
Rear control Frontload Washer



Washer has 3/4" (1.87 cm) connection for water mixing valve. Two water inlet hoses supplied with washer.

Drain hose is 4' (122 cm) long. One inch (2.5 cm) inside diameter.

Power cord has three-prong U.L. approved plug for connection to a grounded three-wire, 120 volt, 60 Hz electrical circuit. 15 to 20 amp. Use at least No. 12 wire, heavier for long distances.



Dimensions are with leveling legs. Stand pipe should be 36" high.



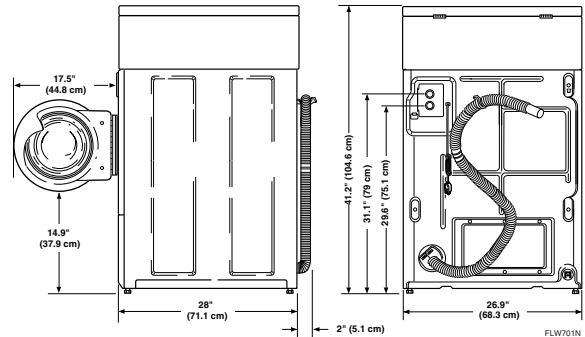
Commercial/Homestyle
Front control Frontload Washer



Washer has 3/4" (1.87 cm) connection for water mixing valve. Two water inlet hoses supplied with washer.

Drain hose is 4' (122 cm) long. One inch (2.5 cm) inside diameter.

Power cord has three-prong U.L. approved plug for connection to a grounded three-wire, 120 volt, 60 Hz electrical circuit. 15 to 20 amp. Use at least No. 12 wire, heavier for long distances.



Dimensions are with leveling legs. Stand pipe should be 36" high.

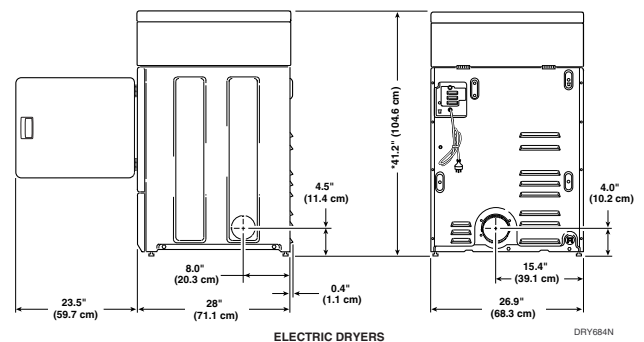


Commercial/Homestyle
Front Control Dryer



Electric dryer can be exhausted in any direction, vented out rear, either side or base. Gas models have 3-way venting: right side, back and base.

Gas dryers available for natural gas, L.P. gas kit available. L.P. Gas Conversion Kit must be installed by the Manufacturer's Authorized Dealers, Distributors, or local service personnel. Power cord is furnished (120/60/1).



*With leveling legs turned into the base.

Electric dryer does not have power cord furnished (120/240/60/1).

Product Options & Dimensions

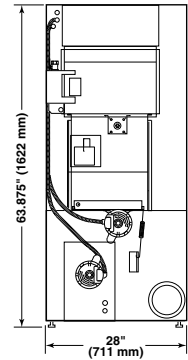
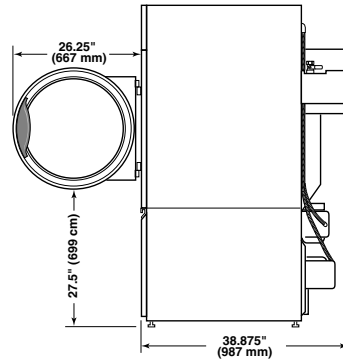
Tumblers

page 20



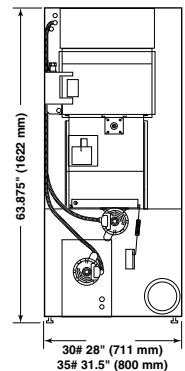
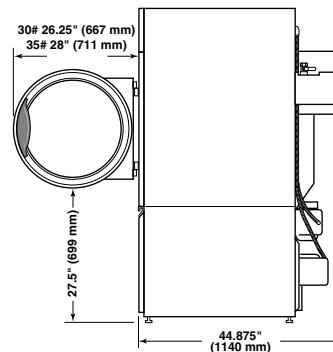
25 lb. RouteMaster™

Handles 25 lb. (11kg) loads
 Energy saving gas models at 64,000 BTU/hr (18.8 kW)
 Electric and Steam models also available.



30/35 lb. Single Tumbler

Handles 30 lb. (13.6 kg) or 35 lb. (15.9) loads
 Energy saving gas models at 73,000 BTU/hr (21.4 kW)
 Electric and Steam models also available.



30 lb. Stacked Tumbler

Two full size 30 lb. (13.6 kg) pockets handle wash loads easily.
 Energy saving gas models at 73,000 BTU/hr (21.4 kW), per cylinder.
 Electric and Steam models also available.

