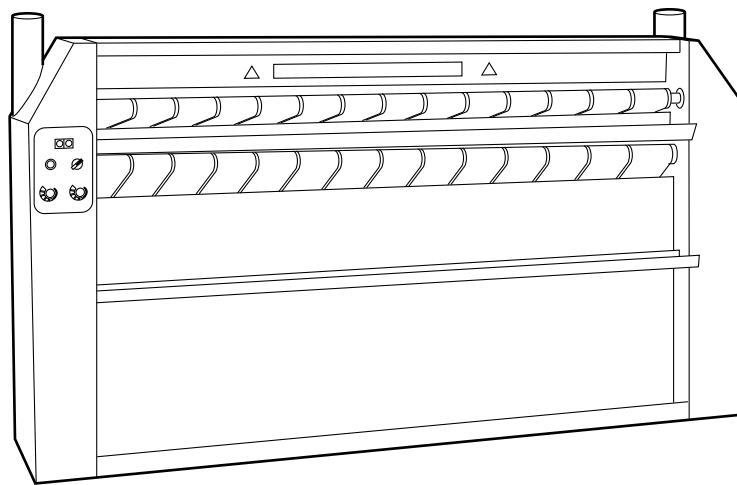


# Roll Heated Flatwork Finisher

20 Inch (500 mm) Roll Heated Models

Refer to Page 3 for Model Numbers



FWF1N\_1300577

**Alliance**<sup>™</sup>  
Laundry Systems

[www.alliancelandry.com](http://www.alliancelandry.com)

Part No. 1300577R15  
August 2018

Parts



# Table of Contents

Title	Page
Parts Ordering Information.....	2
Serial Plate Location .....	2
Model Identification .....	3
Microprocessor Control - Electric Heat Models.....	4
Microprocessor Control - Gas and Steam Heat Models.....	6
Electromechanical Control - Electric Heat Models .....	8
Electromechanical Control - Gas and Steam Heat Models.....	10
Electromechanical Control Pushbuttons, Switches and Thermostat.....	12
Rolls, Loading Tray and Delivery Tray.....	14
Rolls, Guide and Scrapers .....	16
Feed Table, Finger Guard and Panels.....	18
Rails and Controls.....	20
Tension Bearing and Side Roller .....	22
Sprockets and Chain Tensioner.....	24
Heating Element and Fan Motor - Electric Heat Models .....	26
Electric Heated Roll - Electric Heat Models .....	28
Burner and Exhaust - Gas Heat Models .....	30
Heated Roll - Steam Heat Models .....	32
Labels .....	34
Parts Index.....	37

© Copyright 2018, Alliance Laundry Systems LLC

All rights reserved. No part of the contents of this book may be reproduced or transmitted in any form or by any means without the expressed written consent of the publisher.

## Parts Ordering Information

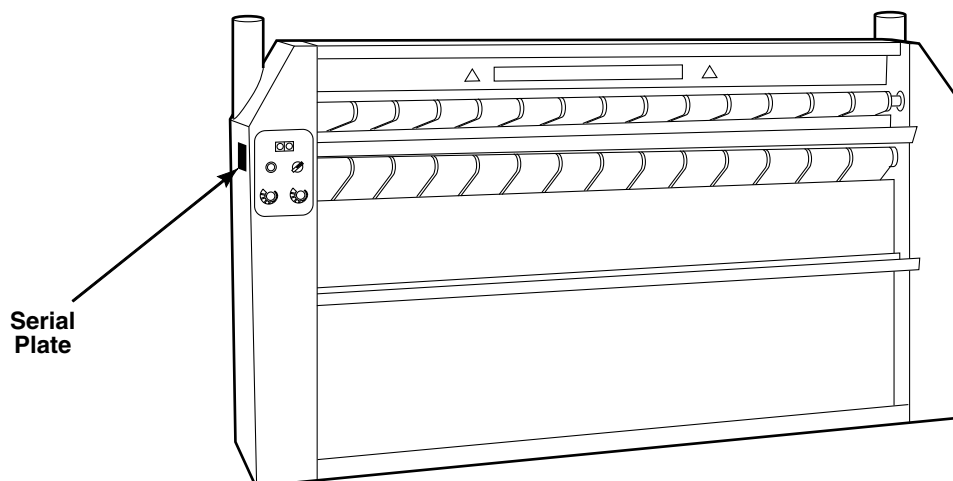
If literature or replacement parts are required, contact the source from whom the machine was purchased or contact Alliance Laundry Systems at (920) 748-3950 for the name and address of the nearest authorized parts distributor.

For technical assistance, call the number listed below:

(920) 748-3121 Ripon, Wisconsin

## Serial Plate Location

When calling or writing about your product, be sure to mention model and serial numbers. Model and serial numbers are located on serial plate(s) as shown.



FWF2N\_1300577

## Model Identification

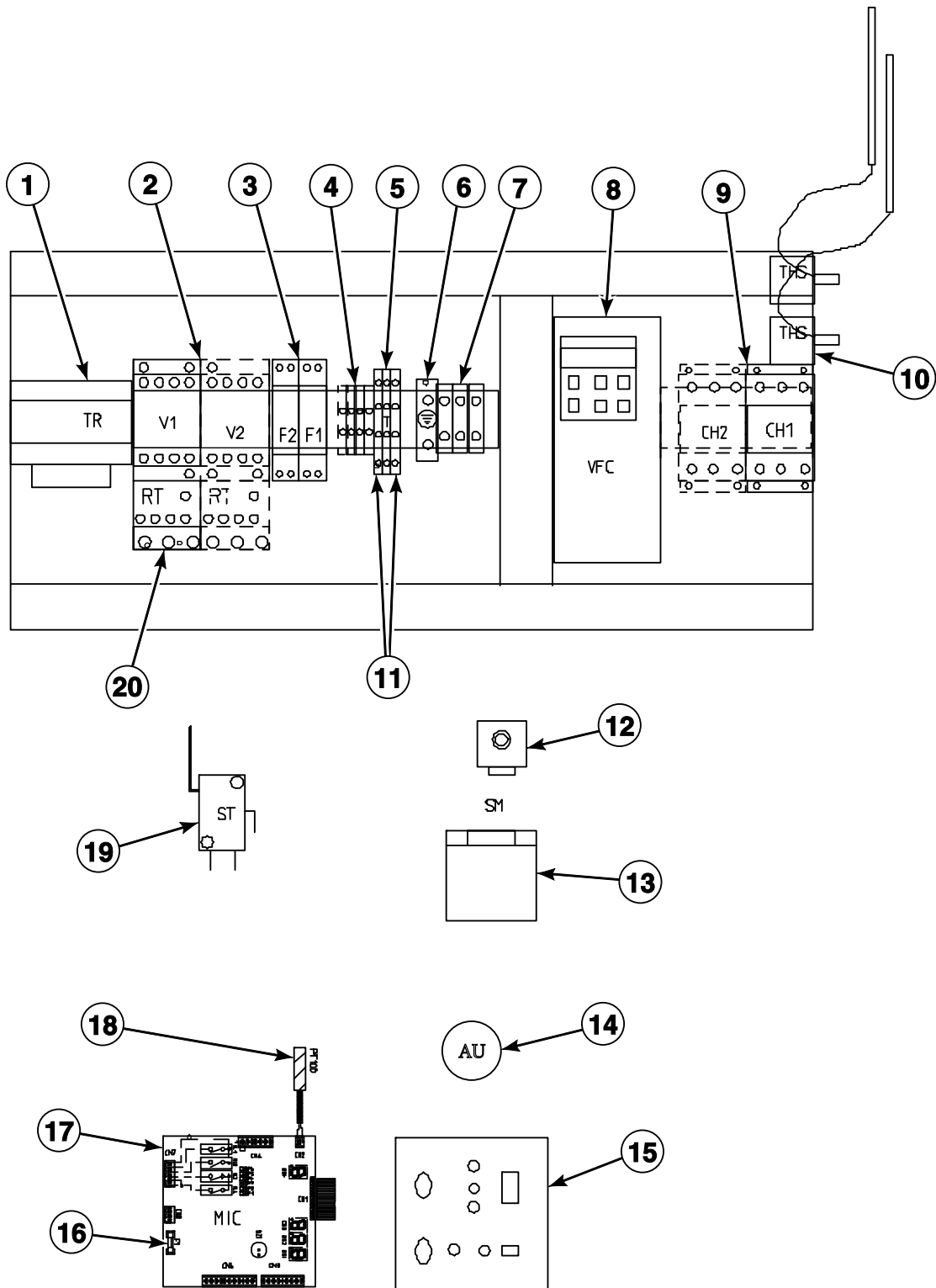
Information in this manual is applicable to these roll heated flatwork finisher models:

UD20F075

UD20F098

UD20F126

# Microprocessor Control - Electric Heat Models



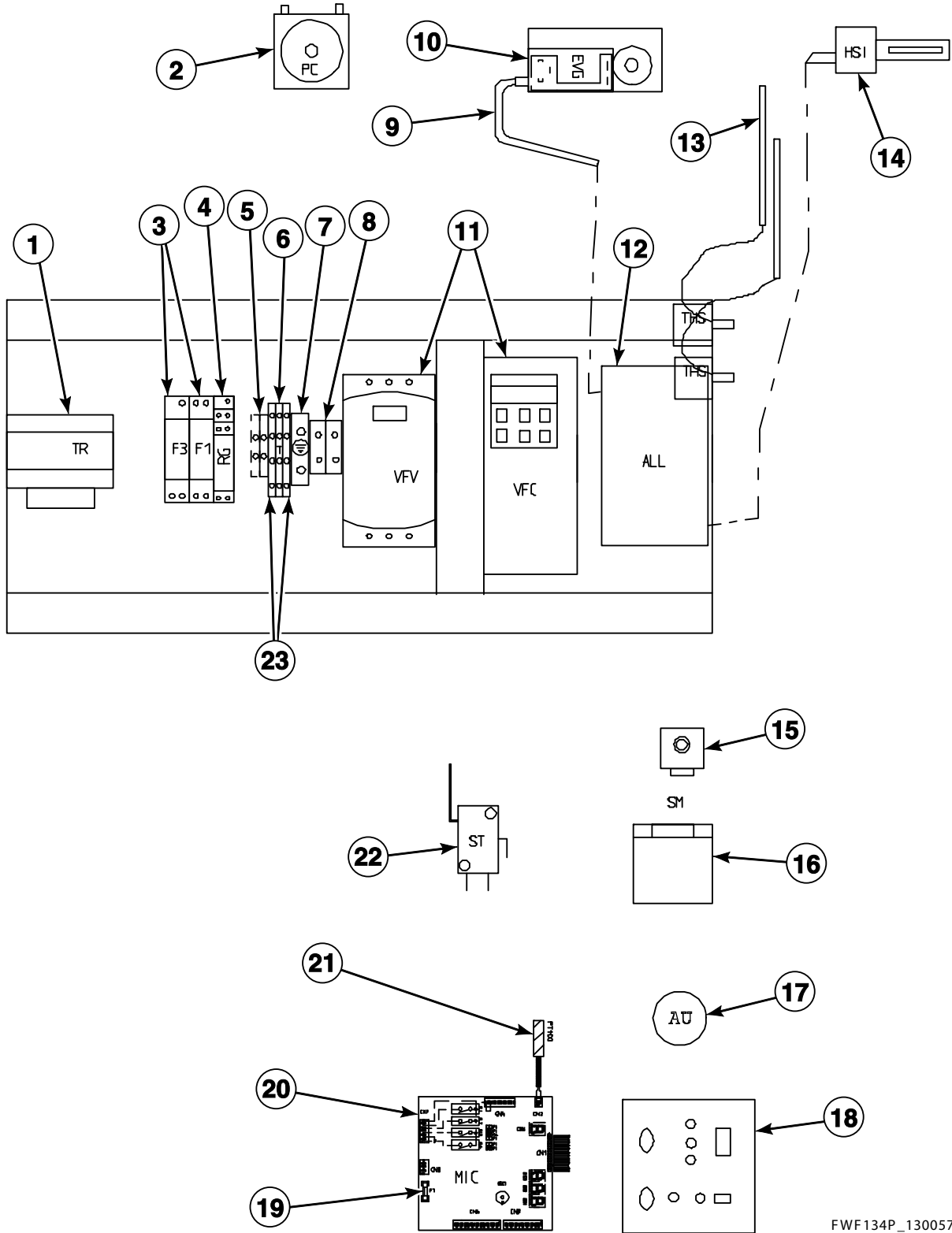
FWF133P\_1300577

## Microprocessor Control - Electric Heat Models

REF	PART NO.	DESCRIPTION	COMMENTS
1	1300534P	Transformer	
2	1300014	Contactora	
3	1300529	Fuse Holder	
	1300531	Fuse	
4	1300021	Terminal Block	
5	1300555	Ground Terminal Block	
6	1300517	Ground Terminal Block	
7	1300556	Terminal Block	
8	1300054-1	Fan Inverter	
9	1300013	Heat Contactor	Models UD20F075 and UD20F098
	1300012	Heat Contactor	Models UD20F075 and UD20F126
10	1300079P	Thermostat	
11	1300557	Terminal Block	
12	1300044	Position Switch Head	
13	1300043	Position Switch Body	
14	44018701P	Emergency Stop Kit	Includes 44018701 Contact Block, 1300559 Emergency Switch and 44018801 Pushbutton
	44018701	Contact Block	
	1300559	Emergency Switch	
	44018801	Pushbutton	
15	1300526P	Control Panel	
16	1300547	Fuse	630 mA
17	1300527P	Printed Circuit Board	
18	1300565P	Temperature Sensor Package	Models starting 1/1/06
	N/A	Temperature Probe	Models through 12/31/05
19	1300521	Safety Microswitch	
20	1300016	Thermal Relay	

**N/A = Part no longer available**

# Microprocessor Control - Gas and Steam Heat Models



FWF134P\_1300577

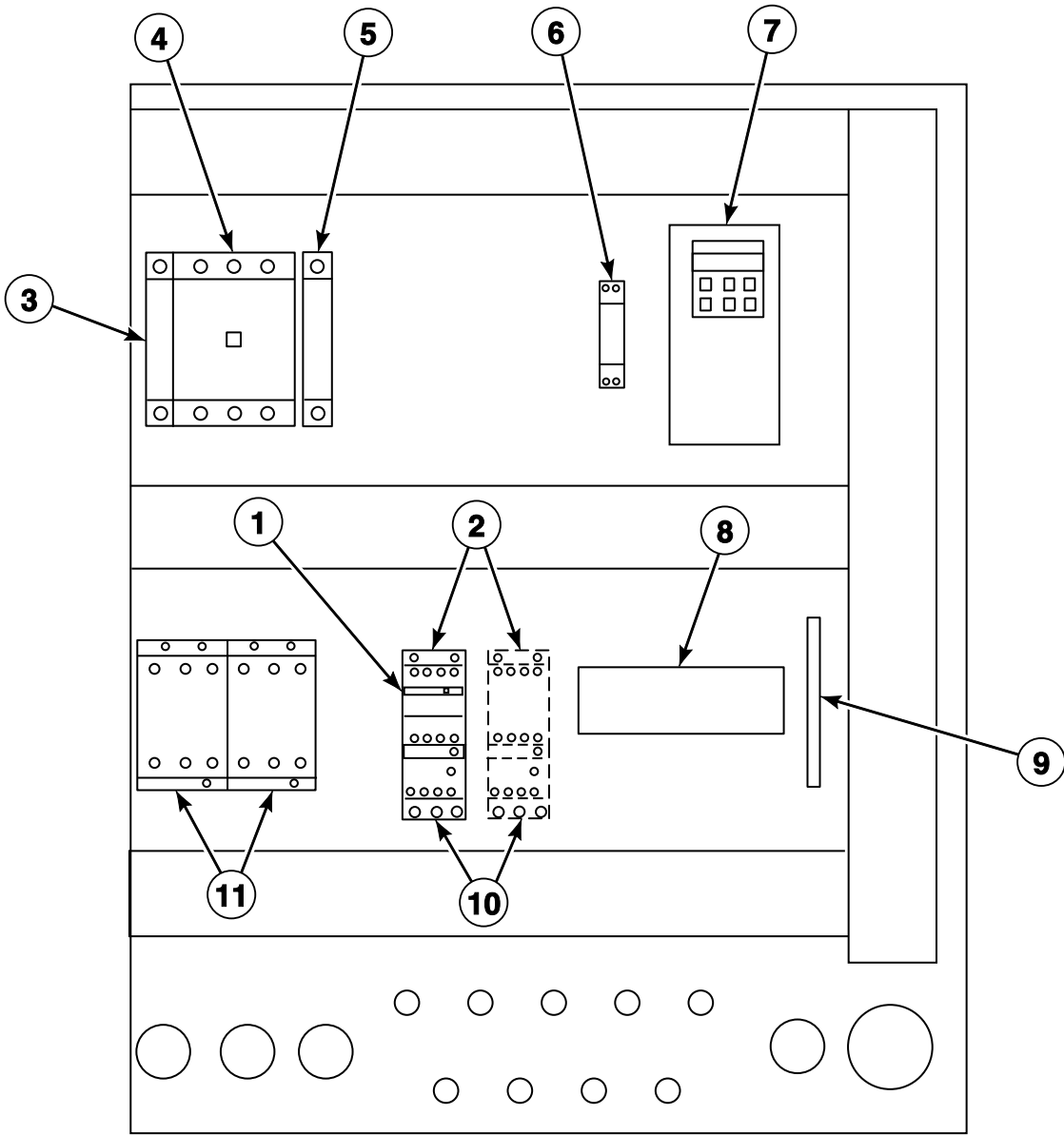


# Microprocessor Control - Gas and Steam Heat Models

REF	PART NO.	DESCRIPTION	COMMENTS
1	1300522	Transformer	
2	1301202	Pressure Switch Kit	Set to 90PA
3	1300529	Fuse Holder	
	1300532	Fuse	F3, 2 Amp; Gas heat models
	1300533	Fuse	F1, 10 Amp; Gas heat models
	1300531	Fuse	F1; Steam heat models
4	1300525P	Gas Heat Contactor	
5	1300021	Terminal Block	
6	1300555	Ground Terminal Block	
7	1300517	Ground Terminal Block	
8	1300556	Terminal Block	
9	1300007	Gas Valve Harness	
10	1300518	Gas Valve	220 Volt (CE finishers); 50 and 60 Hz
	1300080	Gas Valve	24 Volt (U.S. finishers); 60 Hz
11	1300054-1	Fan Inverter	
12	1300008	Ignition Control	24 Volt (U.S. finishers); 60 Hz
	1300520P	Ignition Control	220 Volt (CE finishers); 50 and 60 Hz
13	1300079P	Thermostat	
14	1300006P	Igniter	
15	1300044	Position Switch Head	For handle switch
16	1300043	Position Switch Body	For handle switch
17	44018701P	Emergency Stop Kit	Includes 44018701 Contact Block, 1300559 Emergency Switch and 44018801 Pushbutton
	44018701	Contact Block	
	1300559	Emergency Switch	
	44018801	Pushbutton	
18	1300526P	Control Panel	
19	1300547	Fuse	630 mA
20	1300527P	Printed Circuit Board	
21	1300565P	Temperature Sensor Package	Models starting 1/1/06
	N/A	Temperature Probe	Models through 12/31/05
22	1300521	Safety Microswitch	
23	1300557	Terminal Block	

N/A = Part no longer available

# Electromechanical Control - Electric Heat Models



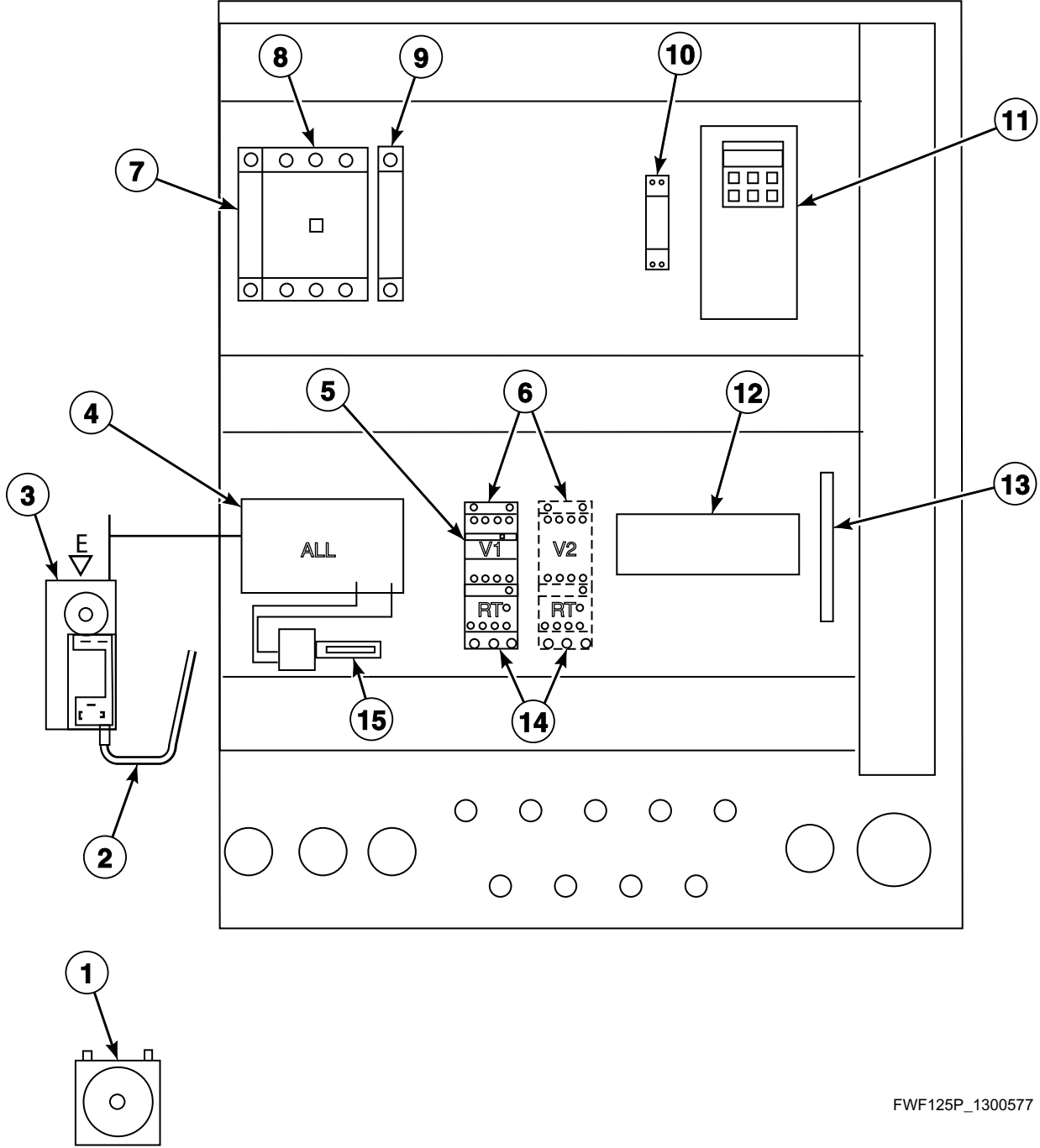
FWF124P\_1300577

## Electromechanical Control - Electric Heat Models

REF	PART NO.	DESCRIPTION	COMMENTS
1	1300011	Auxiliary Contactor	Model UD20F098
2	1300009	Fan Contactor	Model UD20F126
3	1300054	Auxiliary Main Switch	Models UD20F075 and UD20F098
	1300057	Auxiliary Main Switch	Model UD20F126
4	1300053	Main Switch Handle	Models UD20F075 and UD20F098
	N/A	Main Switch	Models UD20F075 and UD20F098
	1300060	Door Lock	
	1300059	Main Switch Extension	
	1300056	Main Switch Handle	Model UD20F126
	1300055	Main Switch	Model UD20F126
5	1300029	Ground Terminal	
6	1300028	Fuse Holder	
7	1301117	Inverter Drive	
8	1300022	Terminal Block	
9	1300029	Ground Terminal	
10	1300016	Thermal Relay	
11	1300012	Heat Contactor	
	1300013	Heat Contactor	

**N/A = Part no longer available**

# Electromechanical Control - Gas and Steam Heat Models

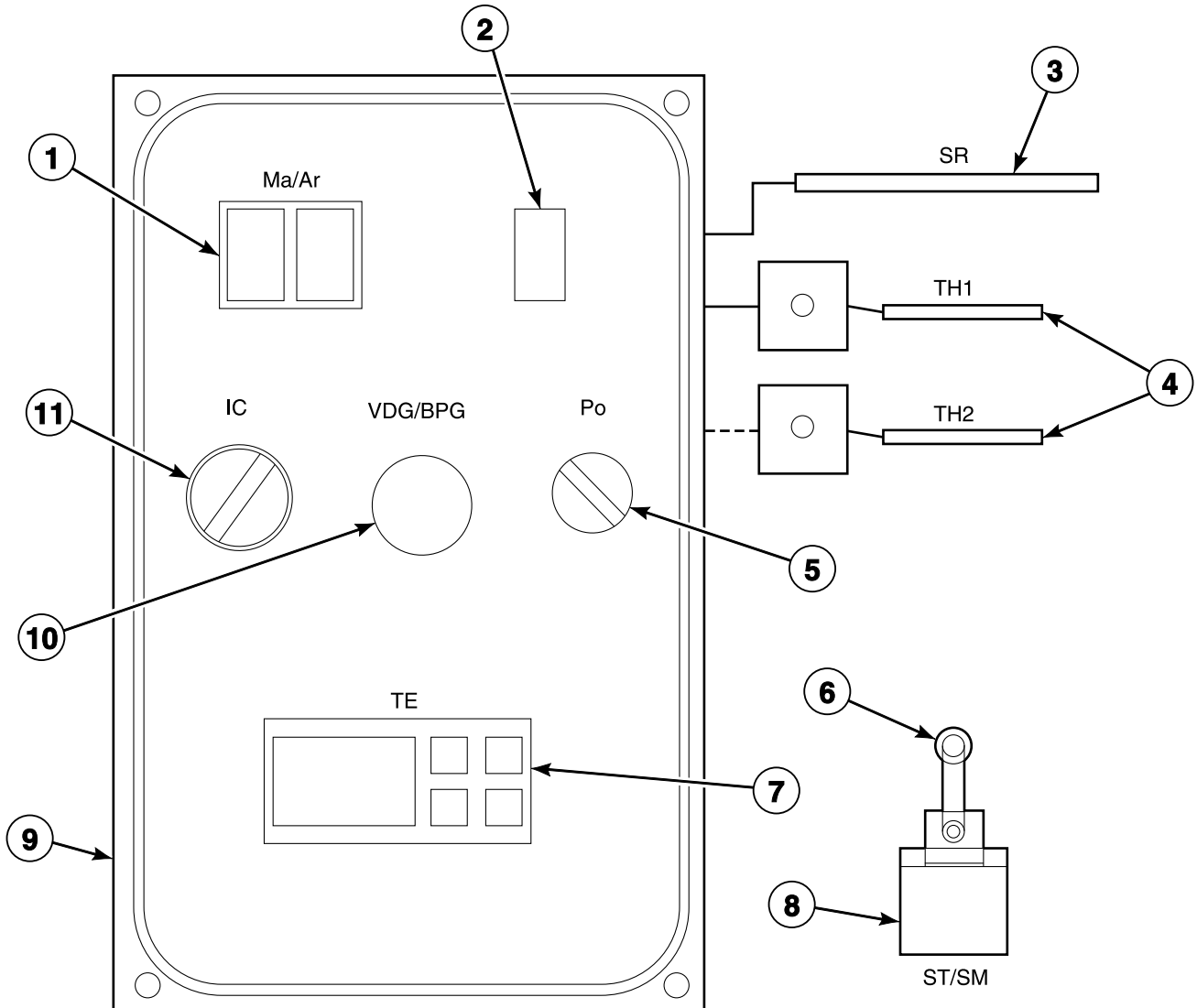


FWF125P\_1300577

## Electromechanical Control - Gas and Steam Heat Models

REF	PART NO.	DESCRIPTION	COMMENTS
	1300885	Harness	CN7
1	1301188	Pressure Switch	
2	1300007	Gas Valve Harness	
3	1300518	Gas Valve	220 Volt (CE finishers); 50 and 60 Hz
	1300080	Gas Valve	24 Volt (U.S. finishers); 60 Hz
4	1300520P	Ignition Control	220 Volt (CE finishers); 50 and 60 Hz
	1300008	Ignition Control	24 Volt (U.S. finishers); 60 Hz
5	1300011	Auxiliary Contactor	
6	1300009	Fan Contactor	
7	1300057	Auxiliary Main Switch	
8	1300056	Main Switch Handle	
	1300060	Door Lock	
	1300059	Main Switch Extension	
	1300048P	Main Switch	
9	1300029	Ground Terminal	
10	1300028	Fuse Holder	
	1300563	Fuse	
11	1300054-1	Fan Inverter	
12	1300022	Terminal Block	
13	1300029	Ground Terminal	
14	1300016	Thermal Relay	
15	1300006P	Igniter	

# Electromechanical Control Pushbuttons, Switches and Thermostat



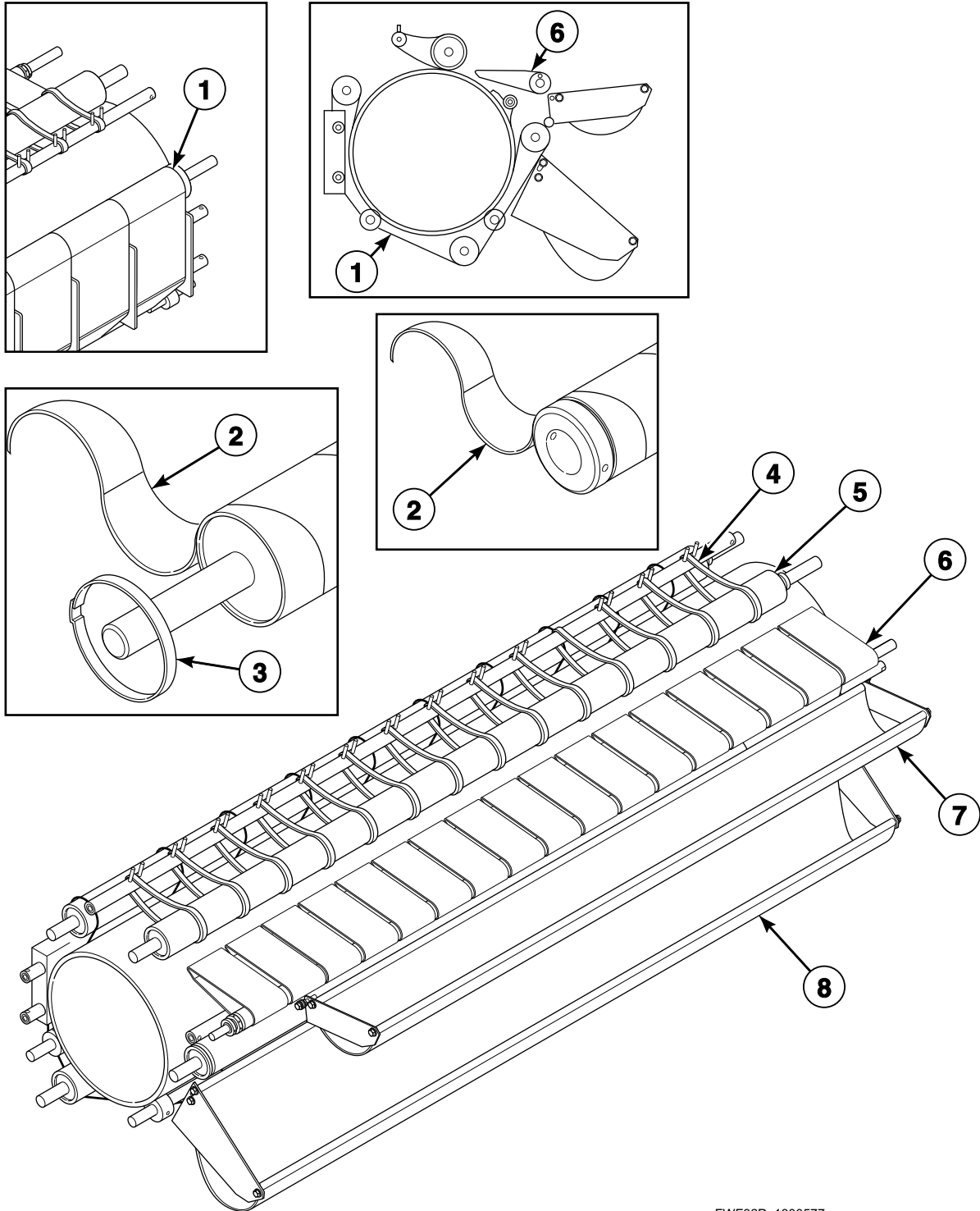
FWF25P\_1300577

## Electromechanical Control Pushbuttons, Switches and Thermostat

REF	PART NO.	DESCRIPTION	COMMENTS
1	1300039	Pushbutton Head	
	44018701	Contact Block	
2	1300552	Auto Cool Down Switch	
3	1300565P	Temperature Sensor Package	Models starting 1/1/06
	N/A	Temperature Probe	Models through 12/31/05
4	1300079P	Thermostat	
5	1300026	Speed Potentiometer	
6	1300044	Position Switch Head	
7	1300070	Electronic Thermostat	
8	1300043	Position Switch Body	
9	1300201	Control Panel	
10	1300519	Gas Reset Pushbutton Head	
	1300045	Pushbutton Body	
11	1300041	Switch Body	
	1300040	Switch Head	

**N/A = Part no longer available**

# Rolls, Loading Tray and Delivery Tray



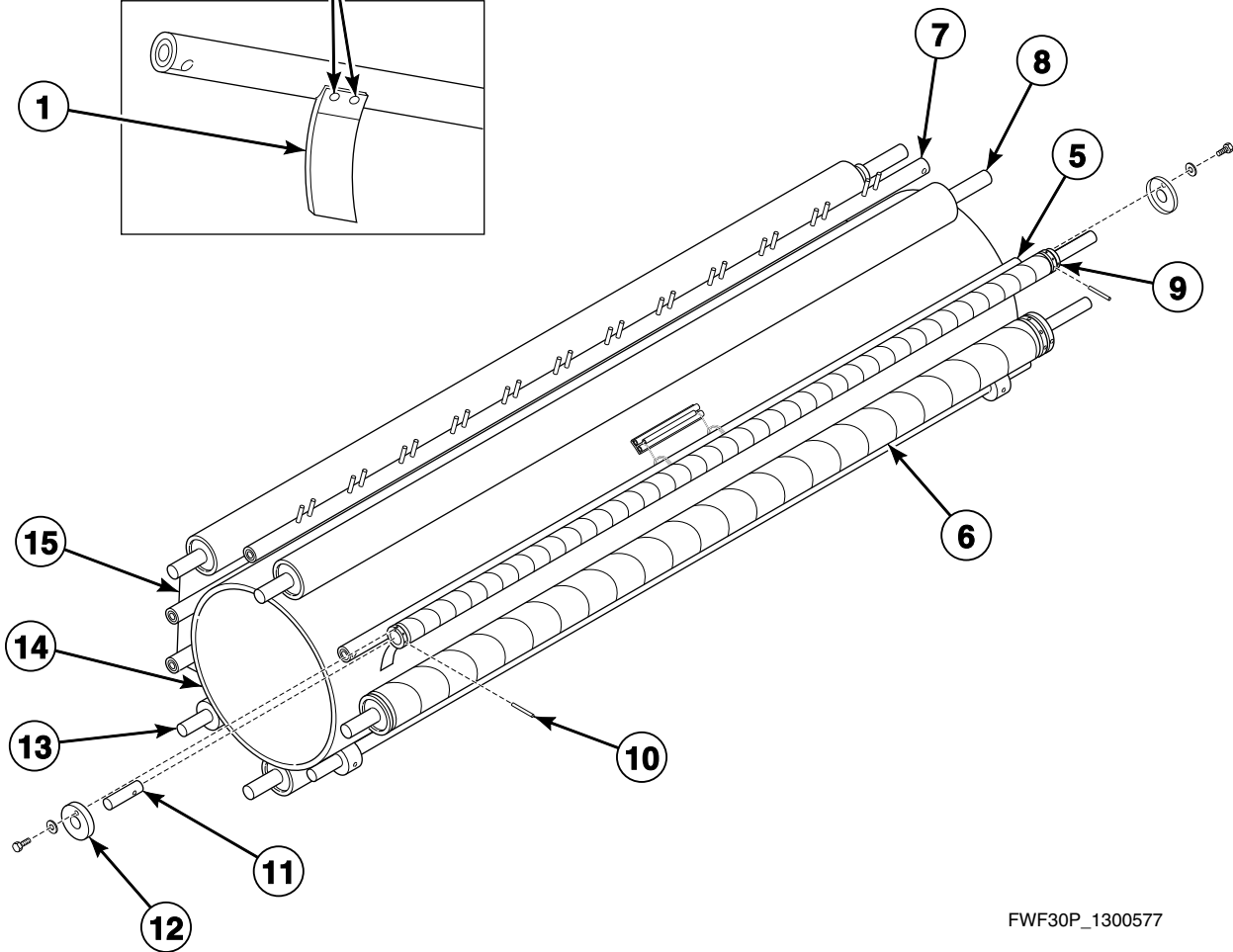
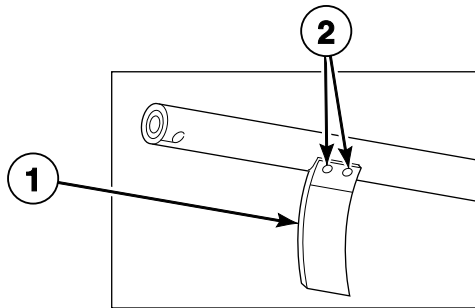
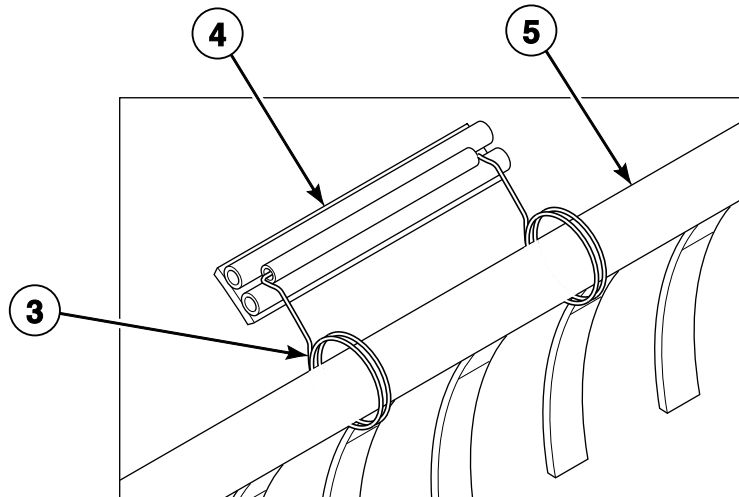
FWF32P\_1300577



## Rolls, Loading Tray and Delivery Tray

REF	PART NO.	DESCRIPTION	COMMENTS
	1301133	Return Ribbon Pin	16 required
1	1300154P	Ribbon	Return; Model UD20F075 10 required; Model UD20F098 13 required; Model UD20F126 16 required
2	1300162	Roll Tape	Sold per meter; Model UD20F075 Use 13 meters for return ribbon drive roll and 9 meters for feed ribbon drive roll; Model UD20F098 Use 16 meters for return ribbon drive roll and 11 meters for feed ribbon drive roll; Model UD20F126 Use 20 meters for return ribbon drive roll and 14 meters for feed ribbon drive roll
3	1300187	Clamp	
4	1300165	Guide Tape	
5	1300197P	Compression Roll Pad	Model UD20F126
	1300196P	Compression Roll Pad	Model UD20F098
	1300195P	Compression Roll Pad	Model UD20F075
6	1300153P	Feed Ribbon	Model UD20F075 17 required; Model UD20F098 21 required; Model UD20F126 27 required
7	1301123	Delivery Tray Assembly	Model UD20F126; Includes loading and delivery tray
	1301165	Loading Tray Assembly	Model UD20F098; Includes loading and delivery tray
	1300206P	Loading Tray	Model UD20F075
8	1301123	Delivery Tray Assembly	Model UD20F126; Includes delivery and loading tray
	1300211	Delivery Tray	Model UD20F098
	1300210P	Delivery Tray	Model UD20F075

# Rolls, Guide and Scrapers

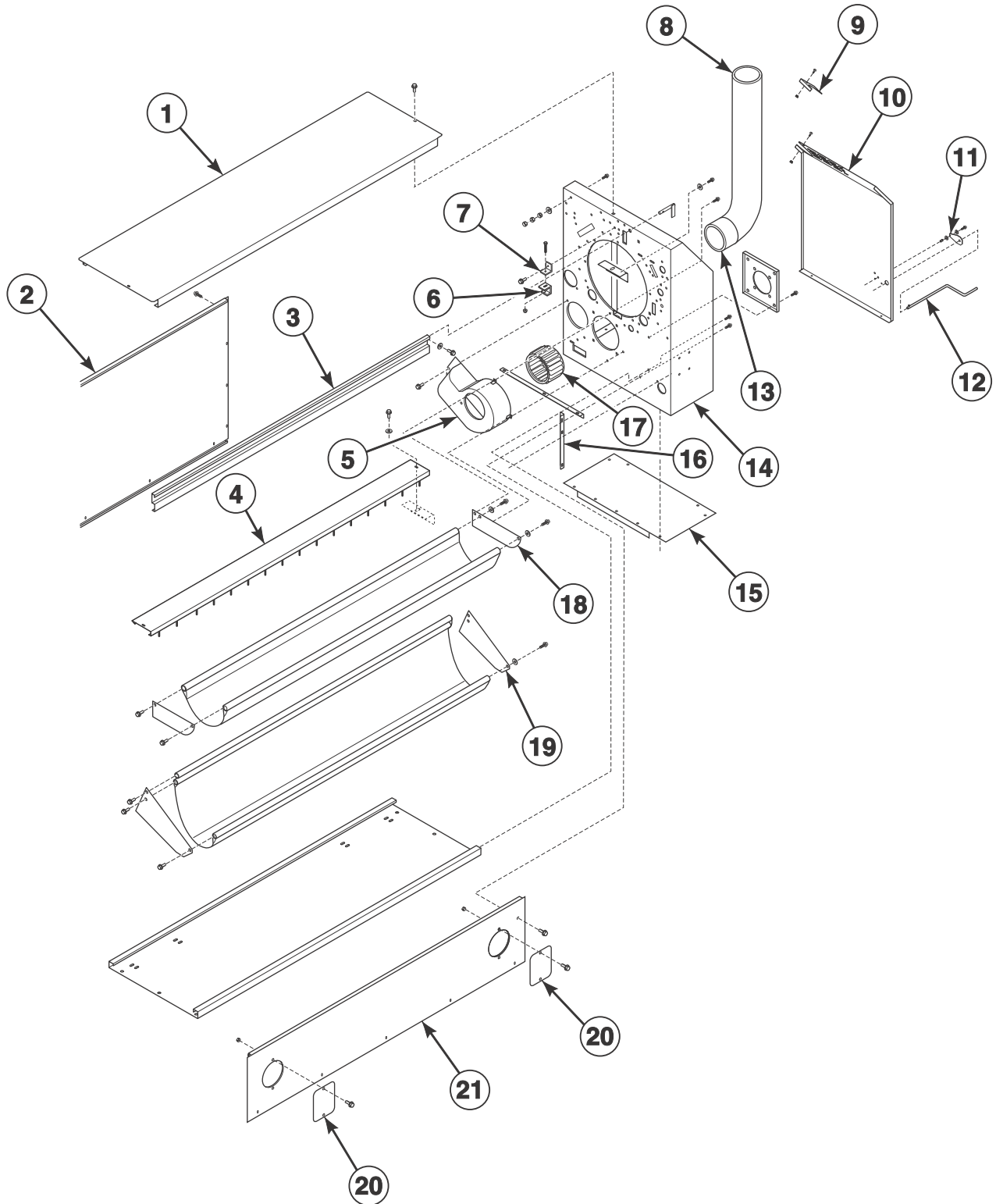


FWF30P\_1300577

## Rolls, Guide and Scrapers

REF	PART NO.	DESCRIPTION	COMMENTS
1	1300219P	Textile Scraper	Includes 2 1300511 Pop Rivets; Model UD20F075 16 required through 12/31/03, 9 required starting 1/1/04; Model UD20F098 20 required through 12/31/03, 11 required starting 1/1/04; Model UD20F126 26 required through 12/31/03, 14 required starting 1/1/04
2	1300511	Pop Rivet	
3	1300202	Sensor Spring	Use with item 4
4	1301116	Sensor	Models starting serial no. 0000016175
	1300331	Sensor Support	Models through serial no. 0000016174
5	1300502	Textile Scraper Rail	Model UD20F126
	1300481	Textile Scraper Rail	Model UD20F098
	1300450	Textile Scraper Rail	Model UD20F075
6	1300506	Roller	Model UD20F126
	1300489	Roller	Model UD20F098
	1300466	Roller	Model UD20F075
7	1300505	Guide Rail	Model UD20F126
	1300482	Guide Rail	Model UD20F098
	1300451	Guide Rail	Model UD20F075
8	1300497	Pressure Roll	Model UD20F126
	1300480	Pressure Roll	Model UD20F098
	1300448	Pressure Roll	Model UD20F075
9	1300496	Auxiliary Feed Roll	Model UD20F126
	1300479	Auxiliary Feed Roll	Model UD20F098
	1300447	Auxiliary Feed Roll	Model UD20F075
10	1300159	Drive Roll Roll Pin	
11	1300119P	Feed Roll Shaft Kit	
12	1300463	Roll End	
13	1300138	Heated Roll Shaft	Model UD20F126; Gas and electric models
	1300137	Heated Roll Shaft	Model UD20F098; Gas and electric models
	1300120	Heated Roll Shaft	Model UD20F075; Gas and electric models
14	1300499	Heated Roll	Model UD20F126
	1300473	Heated Roll	Model UD20F098
	1300436	Heated Roll	Model UD20F075
15	1300500	Guide Strip	Model UD20F126
	1300487	Guide Strip	Model UD20F098
	1300449	Guide Strip	Model UD20F075

# Feed Table, Finger Guard and Panels

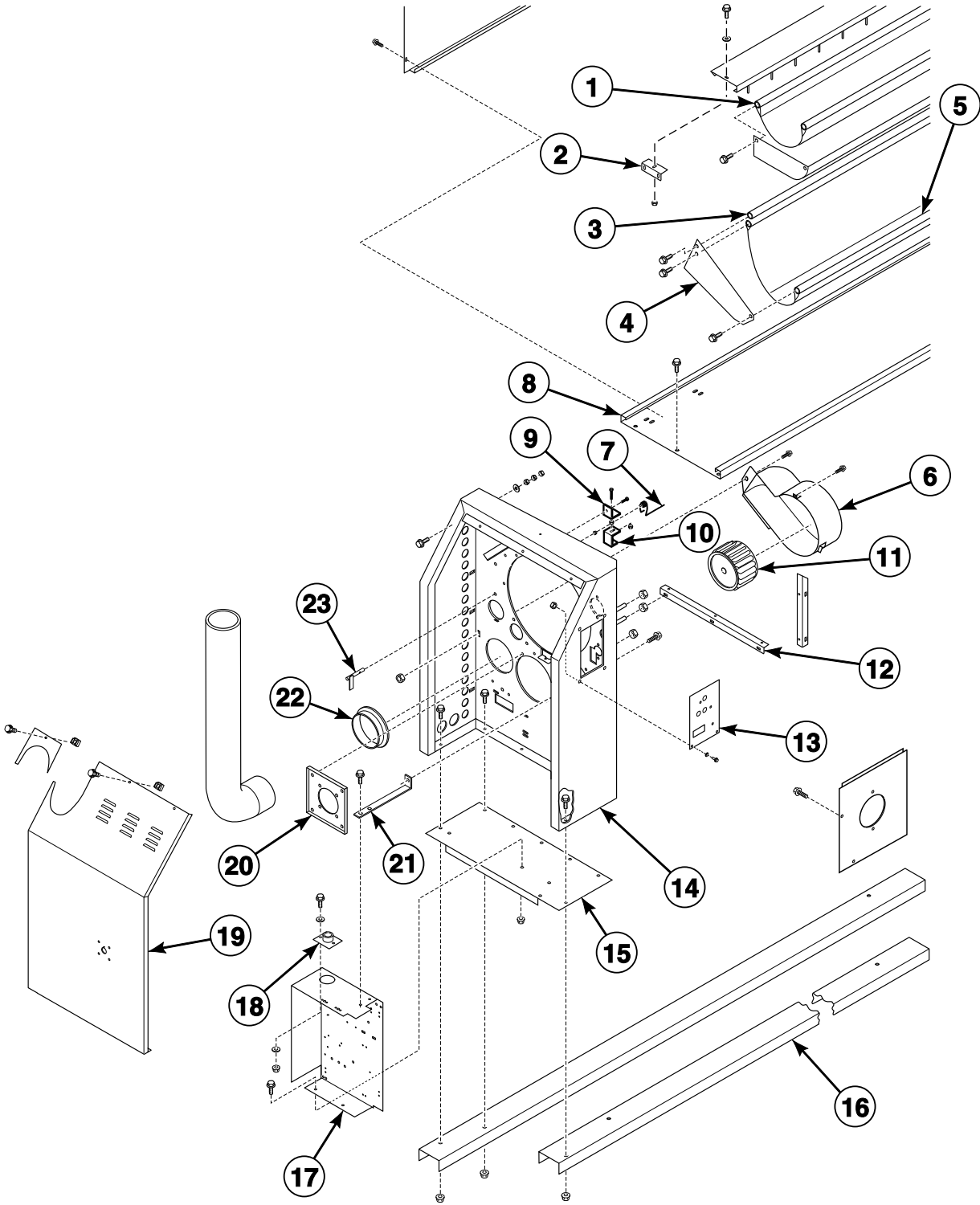


FWF33P\_1300577

## Feed Table, Finger Guard and Panels

REF	PART NO.	DESCRIPTION	COMMENTS
1	1300230	Top Panel	Model UD20F126 through 3/31/12
	1301105	Top Panel	Gray; Model UD20F126 starting 4/1/12
	1300229	Top Panel	Model UD20F098 through 3/31/12
	1301106	Top Panel	Gray; Model UD20F098 starting 4/1/12
	1300228	Top Panel	Model UD20F075 through 3/31/12
	1301107	Top Panel	Gray; Model UD20F075 starting 4/1/12
2	1300491	Rear Panel	Model UD20F126
	1300476	Rear Panel	Model UD20F098
	1300440	Rear Panel	Model UD20F075
3	1300233	Finger Guard	Model UD20F126
	1300232	Finger Guard	Model UD20F098
	1300231	Finger Guard	Model UD20F075
4	1300495	Feed Table	Model UD20F126 through 3/31/12
	1301111	Feed Table	Gray; Model UD20F126 starting 4/1/12
	1300478	Feed Table	Model UD20F098 through 3/31/12
	1301112	Feed Table	Gray; Model UD20F098 starting 4/1/12
	1300444	Feed Table	Model UD20F075 through 3/31/12
	1301113	Feed Table	Gray; Model UD20F075 starting 4/1/12
5	1300427	Right Blower Housing	Models through 3/31/12
	1301103	Right Blower Housing	Models starting 4/1/12
6	1300433	Bracket	
7	1300434	Bracket	
8	1300151	Exhaust Pipe	
9	1300000	Nameplate Overlay	
	1300001	Nameplate Overlay	
	1300002	Nameplate Overlay	
10	1300237	Right Panel	
11	1300431	Crank Handle Plate	Models through 3/31/12
	1301101	Crank Handle Plate	Models starting 4/1/12
12	1300114	Crank Handle	
13	1300150	Exhaust Pipe Elbow	
14	1300553	Right Frame	
15	1300432	Base	
16	1300248P	Front Panel Bracket	
17	1300122	Blower Wheel	
18	1300238	Feed Tray End Panel	Models through 3/31/12
	1301114	Feed Tray End Panel	Gray; Models starting 4/1/12
19	1300239	Receiving Tray End Panel	Models through 3/31/12
	1301100	Receiving Tray End Panel	Gray; Models starting 4/1/12
20	1300423	Cover Plate	Models through 3/31/12
	1301102	Cover Plate	Gray; Models starting 4/1/12
21	1300236	Front Panel	Model UD20F126 through 3/31/12
	1301108	Front Panel	Gray; Model UD20F126 starting 4/1/12
	1300235	Front Panel	Model UD20F098 through 3/31/12
	1301109	Front Panel	Gray; Model UD20F098 starting 4/1/12
	1300234	Front Panel	Model UD20F075 through 3/31/12
	1301110	Front Panel	Gray; Model UD20F075 starting 4/1/12

# Rails and Controls

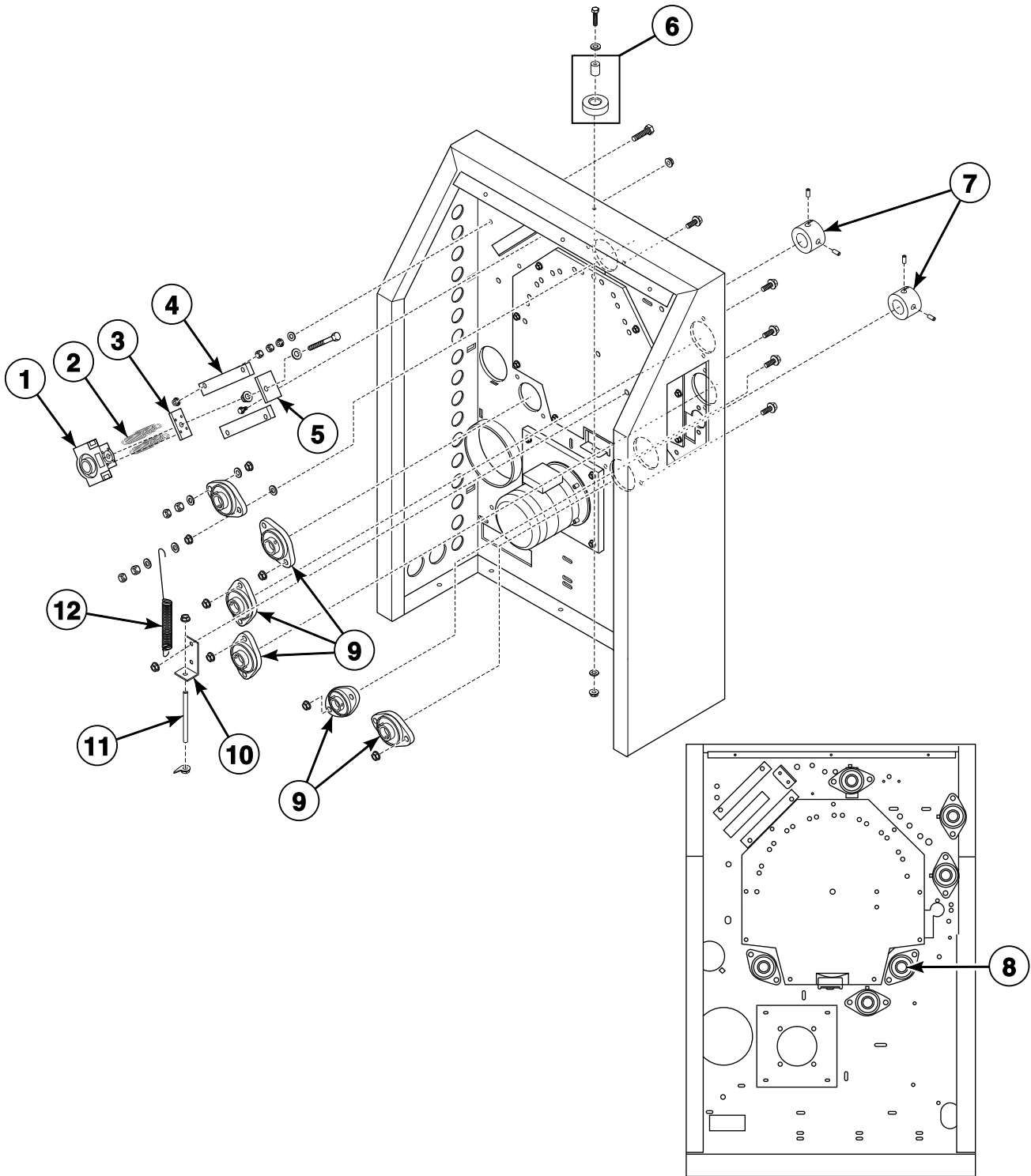


FWF31P\_1300577

## Rails and Controls

REF	PART NO.	DESCRIPTION	COMMENTS
1	1300494	Rail	Model UD20F126
	1300477	Rail	Model UD20F098
	1300443	Rail	Model UD20F075
2	1300425	Feed Table Bracket	
3	1300493	Rail	Model UD20F126
	1300485	Rail	Model UD20F098
	1300460	Rail	Model UD20F075
4	1300239	Receiving Tray End Panel	Models through 3/31/12
	1301100	Receiving Tray End Panel	Gray; Models starting 4/1/12
5	1300492	Rail	Model UD20F126
	1300484	Rail	Model UD20F098
	1300459	Rail	Model UD20F075
6	1300428	Left Blower Housing	Models through 3/31/12
	1301104	Left Blower Housing	Models starting 4/1/12
7	1300181	Spring	
8	1300490	Bottom Panel	Model UD20F126
	1300475	Bottom Panel	Model UD20F098
	1300439	Bottom Panel	Model UD20F075
9	1300434	Bracket	
10	1300433	Bracket	
11	1300123	Blower Wheel	
12	1300243	Bracket	
13	1300201	Control Panel	Models through 3/31/12
	1300526P	Control Panel	Models starting 4/1/12
14	1300554	Left Frame	
15	1300432	Base	
16	1300227	Lateral Cross Brace	Model UD20F126
	1300226	Lateral Cross Brace	Model UD20F098
	1300225	Lateral Cross Brace	Model UD20F075
17	1301163	Electrical Box	Models through 3/31/12
	1300330	Electrical Box	Models starting 4/1/12
18	1300457	Plate	
19	1300249	Left Panel	Models with gas heating
	1300250	Left Panel	Standard models
20	1300426	Motor Mount	
21	1300247	Bracket	
22	1300445	Blower Flange	
23	1301060	Finger Guard Shaft	

# Tension Bearing and Side Roller



FWF29P\_1300577

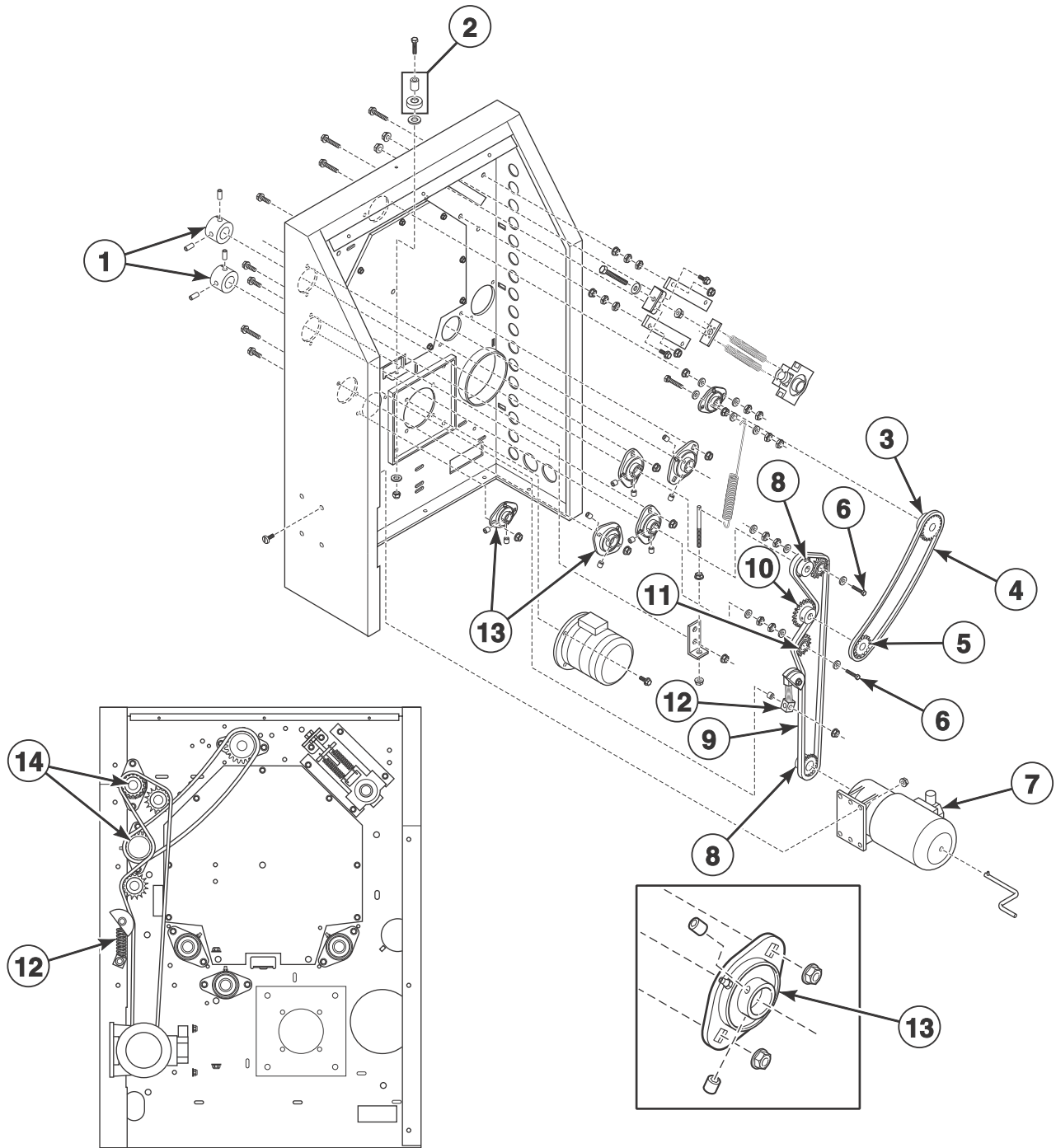


## Tension Bearing and Side Roller

REF	PART NO.	DESCRIPTION	COMMENTS
1	1300125	Tension Bearing	
2	1300158	Tension Spring	
3	1300113	Tension Bearing Slide Plate	
4	1300112	Tension Bearing Slide Rail	
5	1300429	Tension Spring Bracket	
6	1301194	Roller Kit	
7	1300585P	Collar	Models starting 1/9/06
	1300860	Collar	
	N/A	Collar	Models starting 1/9/06
8	1300591	Tube	Model UD20F075; Models starting 1/9/06
	1300137	Heated Roll Shaft	Model UD20F098; Models starting 1/9/06
9	1300124P	Bearing	
10	1300246	Tension Spring Bracket	
11	1300131	Tension Spring Shaft	
12	1300149	Tension Spring	

**N/A = Part no longer available**

# Sprockets and Chain Tensioner

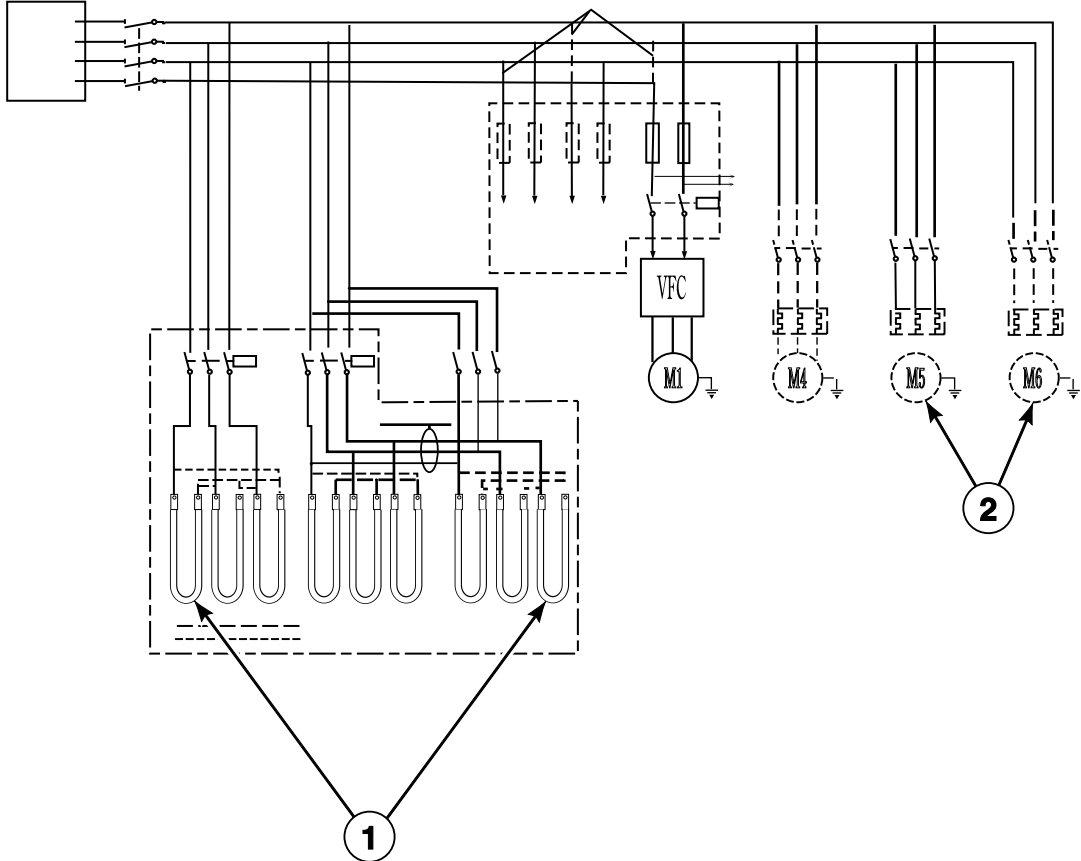


FWF34P\_1300577

## Sprockets and Chain Tensioner

REF	PART NO.	DESCRIPTION	COMMENTS
	1300876	Chain Link	Use with items 5 and 9
1	1300585P	Collar	Models starting 1/9/06; 2 required
	1300860	Collar	Models UD20F075 and UD20F098 4 required; Model UD20F126 8 required
	1300590	Collar	Models UD20F075 and UD20F098; Models starting 1/9/06
2	1301194	Roller Kit	
3	1300118	Compression Roll Sprocket	
4	1300879P	Press Roll Chain	1.7 meters required for drive roll and 1.1 meters required for compression roll; Sold cut-to-length
5	1300116	Sprocket	
6	1301197	Screw	80 mm in length
	1300512	Screw	120 mm in length
7	1300882	Drive Motor	
8	1300115	Sprocket	14 teeth/1 inch
9	1300127	Chain	1.7 meters required for drive roll and 1.1 meters required for compression roll; Sold cut-to-length
10	1300117	Sprocket	
11	1300146	Idler Sprocket	
12	1300145	Chain Tensioner Assembly	
13	1300124P	Bearing	
14	1300591	Tube	Model UD20F075; Models starting 1/9/06
	1300137	Heated Roll Shaft	Model UD20F098; Models starting 1/9/06
	1300138	Heated Roll Shaft	Model UD20F126

# Heating Element and Fan Motor - Electric Heat Models

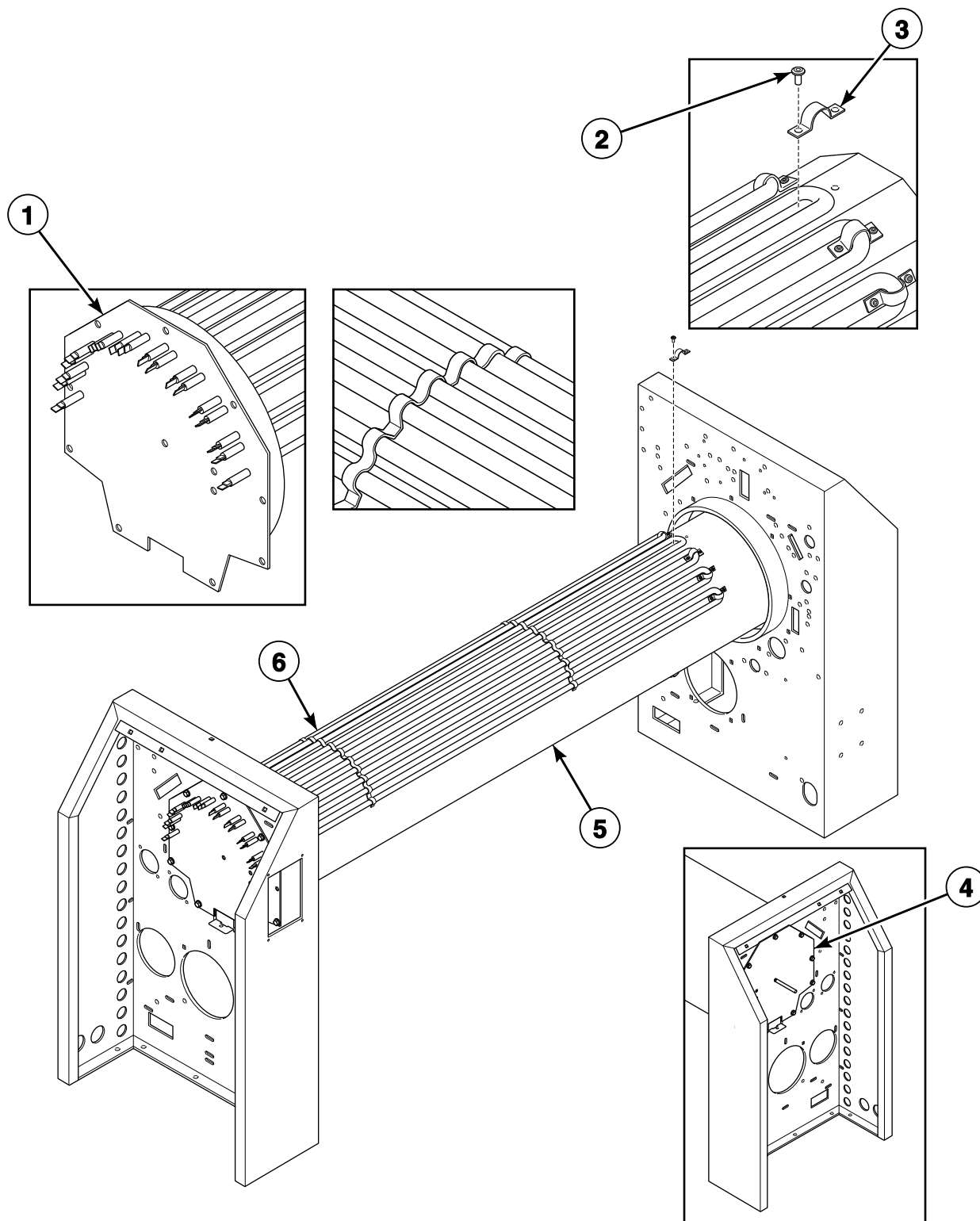


FWF123P\_1300577

# Heating Element and Fan Motor - Electric Heat Models

REF	PART NO.	DESCRIPTION	COMMENTS
1	1300077	Heating Element	Model UD20F126
	1300076	Heating Element	Model UD20F098
	1300075	Heating Element	Model UD20F075
2	1300064	Fan Motor	

# Electric Heated Roll - Electric Heat Models

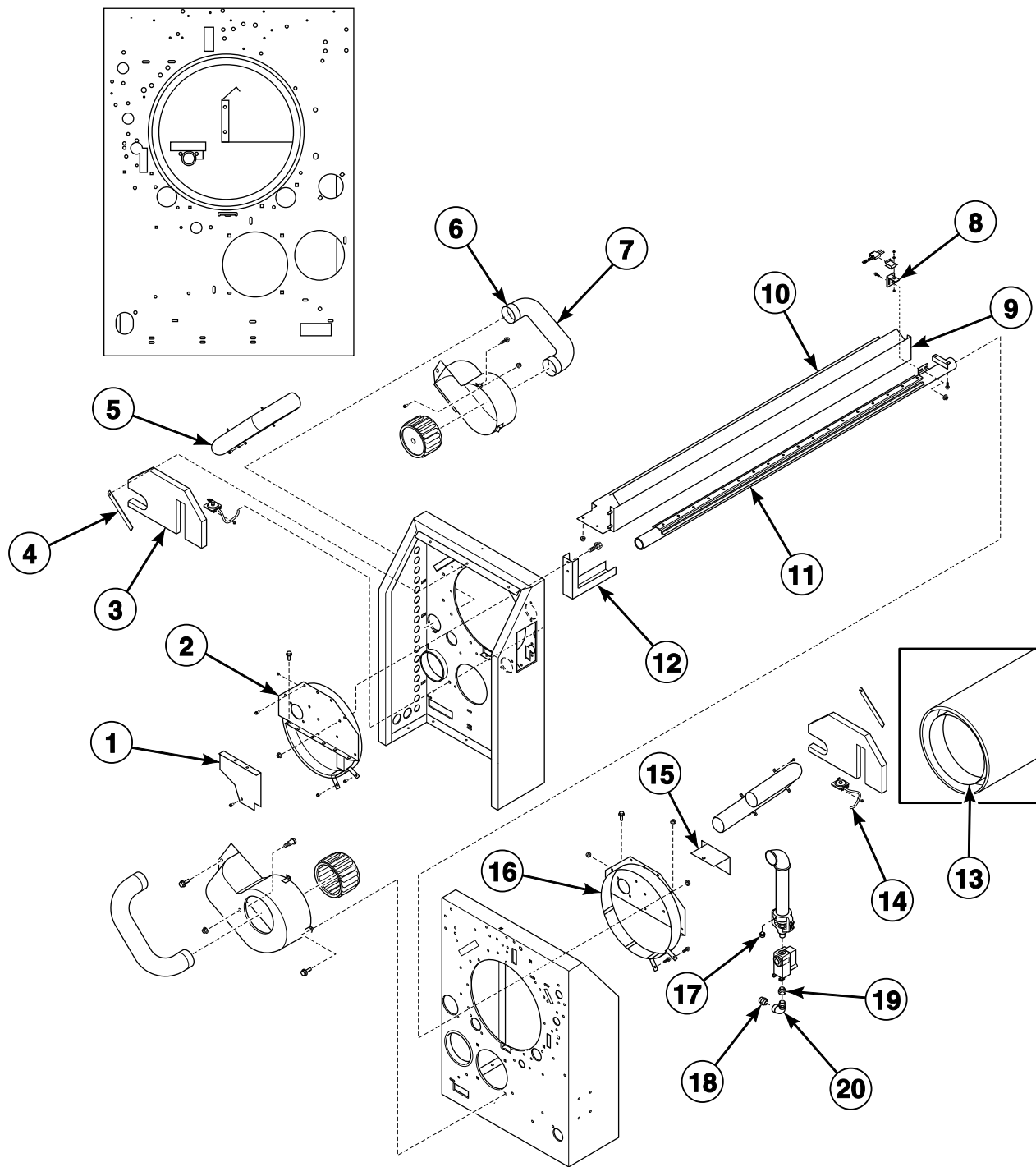


FWF26P\_1300577

## Electric Heated Roll - Electric Heat Models

REF	PART NO.	DESCRIPTION	COMMENTS
1	1300508	Left Electric Heated Roll End	Model UD20F126
	1300470	Left Electric Heated Roll End	Models UD20F075 and UD20F098
2	1300510	Pop Rivet	
3	1300178	Heating Element Clamp	
4	1300507	Right Electric Heated Roll End	Model UD20F126
	1300469	Right Electric Heated Roll End	Model UD20F098
	1300468	Right Electric Heated Roll End	Model UD20F075
5	1300498	Electric Heat Inner Roll	Model UD20F126
	1300486	Electric Heat Inner Roll	Model UD20F098
	1300455	Electric Heat Inner Roll	Model UD20F075
6	1300077	Heating Element	Model UD20F126
	1300076	Heating Element	Model UD20F098
	1300075	Heating Element	Model UD20F075

# Burner and Exhaust - Gas Heat Models



FWF27P\_1300577

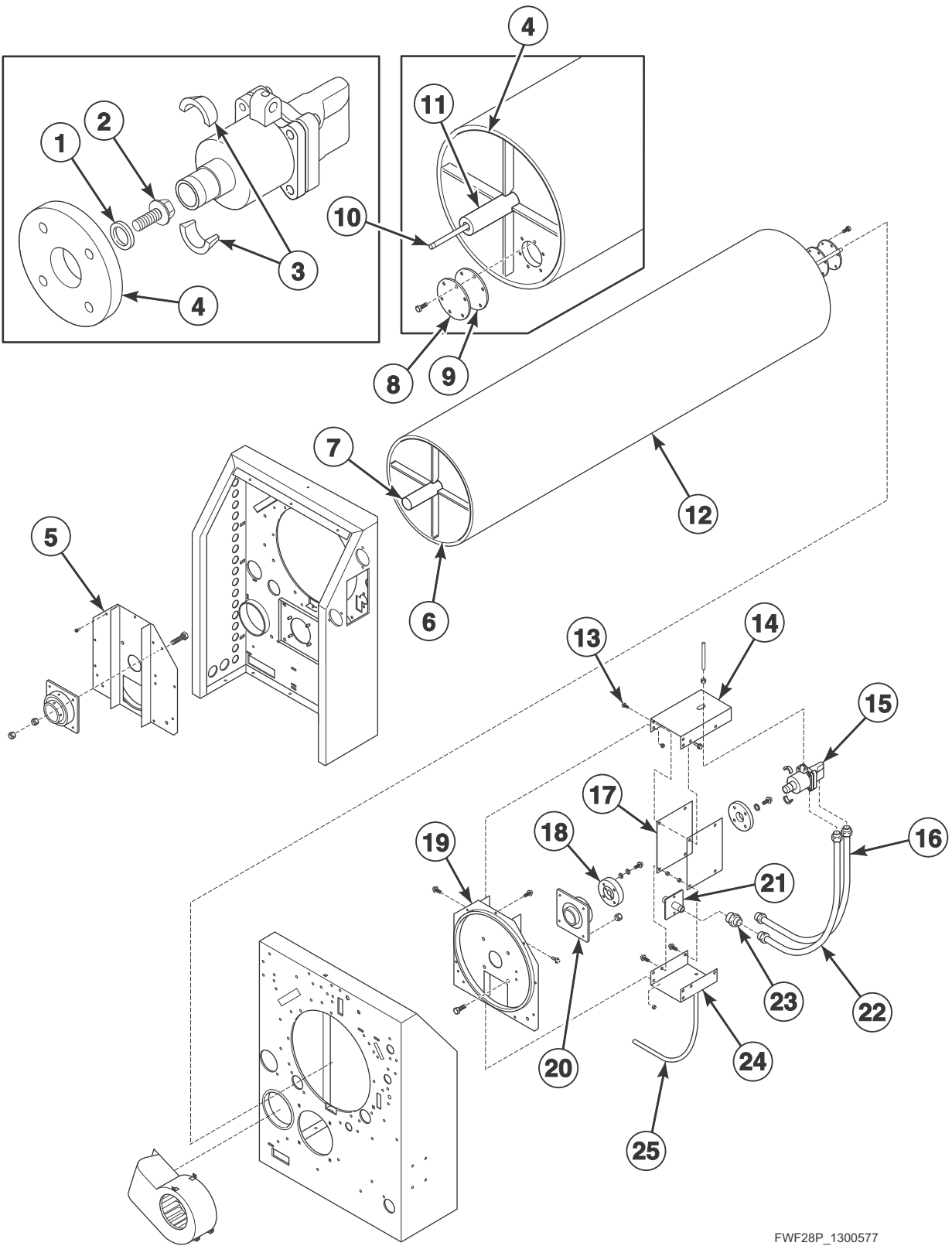


## Burner and Exhaust - Gas Heat Models

REF	PART NO.	DESCRIPTION	COMMENTS
	1300564	L.P. Valve Kit	
1	1300472	Gas Heated Roll End	
2	1300467	Left Gas Heated Roll End	
3	1301150	Insulation	
4	1300244	Insulation Bracket	
5	1300458	Gas Exhaust Pipe	
6	1300175	Elbow	
7	1300152	Blower Pipe Sleeve	
8	1300438	Igniter Bracket	
9	1300501	Gas Screen	Model UD20F126
	1300483	Gas Screen	Model UD20F098
	1300430	Gas Screen	Model UD20F075
10	1300503	Gas Deflector	Model UD20F126
	1300488	Gas Deflector	Model UD20F098
	1300464	Gas Deflector	Model UD20F075
11	1300192	Burner	Model UD20F126
	1300191	Burner	Model UD20F098
	1300190	Burner	Model UD20F075
12	1300242	Gas Burner Bracket	Large
	1300241	Gas Burner Bracket	Small
13	1300471	Gas Deflector	
14	1300193	Pressure Switch Tubing	
15	1300456	Gas Screen End	
16	1300446	Gas Heated Roll End	
17	1300167	Burner Orifice	
	1300781	Burner Orifice	Specify type of gas
	1300606	Burner Orifice	1.5 mm (blank)
	1300607	Burner Orifice	2.35 mm; Liquid Petroleum Gas (L.P.)
	1300538	Burner Orifice	2.5 mm; L.P.
	1300539	Burner Orifice	3 mm; L.P.
	1300854	Burner Orifice	3.2 mm; L.P.
	1300540	Burner Orifice	3.5 mm; L.P.
	1300541	Burner Orifice	4.1 mm; L.P.
	1300542	Burner Orifice	4.4 mm; L.P.
	1300862	Burner Orifice	4.1 mm; Natural Gas (N.G.)
	1300544	Burner Orifice	4.8 mm; N.G.
	1300855	Burner Orifice	5.0 mm; N.G.
	1300856	Burner Orifice	5.5 mm; N.G.
	1300857	Burner Orifice	6.4 mm; N.G.
	1300545	Burner Orifice	7.1 mm; N.G.
18	1300180	Reducing Bushing	
19	1300179	Reducing Bushing	
20	N/A	Elbow	

**N/A = Part no longer available**

# Heated Roll - Steam Heat Models



FWF28P\_1300577

## Heated Roll - Steam Heat Models

REF	PART NO.	DESCRIPTION	COMMENTS
1	1300143	Fitting	
2	1301191	Screw	
3	1300570	Rotary Joint Flange	Half wedge
4	1300144	Right Steam Heated Roll Bottle	
5	1300461	Left Steam Heated Roll End	
6	1300132	Left Steam Heated Roll Bottle	
7	1300133	Heated Roll Shaft	Left
8	1300424	Heated Roll Plate	
9	1301146	Seal	
10	1300441	Steam Heated Roll Syphon Tube	
11	1300142	Heated Roll Shaft	
12	1300504	Steam Heated Roll	Model UD20F126
	1300474	Steam Heated Roll	Model UD20F098
	1300437	Steam Heated Roll	Model UD20F075
13	1300442	Rotary Joint Stud	Left
14	1300452	Steam Heated Roll Box Top	
15	1300140	Steam Heat Rotary Joint	
16	1300203P	Steam Hose	
17	1300454	Steam Heated Roll Box Side	
18	1300141	Rotary Joint Flange	
19	1300462	Right Steam Heated Roll End	
20	1300126	Heated Roll Bearing	
21	1300435	Heated Roll Bearing Housing	
22	1300204	Steam Hose	
23	N/A	Fitting	
24	1300453	Steam Heated Roll Box Bottom	
25	1300188	Drain Tube	

**N/A = Part no longer available**

# Labels



FWF148P\_1300577

# Labels

REF	PART NO.	DESCRIPTION	COMMENTS
1	D502511	Electrical Shock Label	
2	F200318200	Cover Decal	
3	M411815	Vent and Thimble Caution Label	
4	70360901	Belt Edging Warning Label	
5	D500316	Warning Label	
6	N/A	Hot Surface Warning Plate	
7	D501140	Natural Gas Notice Label	
8	M412238	Rotating Warning Sticker	

**N/A = Part no longer available**



# Parts Index

## A

Auto Cool Down Switch	
1300552 .....	13
Auxiliary Contactor	
1300011 .....	9, 11
Auxiliary Feed Roll	
1300447 .....	17
1300479 .....	17
1300496 .....	17
Auxiliary Main Switch	
1300054 .....	9
1300057 .....	9, 11

## B

Base	
1300432 .....	19, 21
Bearing	
1300124P .....	23, 25
Belt Edging Warning Label	
70360901 .....	35
Blower Flange	
1300445 .....	21
Blower Pipe Sleeve	
1300152 .....	31
Blower Wheel	
1300122 .....	19
1300123 .....	21
Bottom Panel	
1300439 .....	21
1300475 .....	21
1300490 .....	21
Bracket	
1300243 .....	21
1300247 .....	21
1300433 .....	19, 21
1300434 .....	19, 21
Burner	
1300190 .....	31
1300191 .....	31
1300192 .....	31
Burner Orifice	
1300167 .....	31
1300538 .....	31
1300539 .....	31
1300540 .....	31
1300541 .....	31
1300542 .....	31
1300544 .....	31
1300545 .....	31
1300606 .....	31
1300607 .....	31
1300781 .....	31
1300854 .....	31
1300855 .....	31
1300856 .....	31
1300857 .....	31
1300862 .....	31

## C

Chain	
1300127 .....	25
Chain Link	
1300876 .....	25
Chain Tensioner Assembly	
1300145 .....	25
Clamp	
1300187 .....	15
Collar	
1300585P .....	23, 25
1300590 .....	25
1300860 .....	23, 25
Compression Roll Pad	
1300195P .....	15
1300196P .....	15
1300197P .....	15
Compression Roll Sprocket	
1300118 .....	25
Contact Block	
44018701 .....	5, 7, 13
Contacto	
1300014 .....	5
Control Panel	
1300201 .....	13, 21
1300526P .....	5, 7, 21
Cover Decal	
F200318200 .....	35
Cover Plate	
1300423 .....	19
1301102 .....	19
Crank Handle	
1300114 .....	19
Crank Handle Plate	
1300431 .....	19
1301101 .....	19

## D

Delivery Tray	
1300210P .....	15
1300211 .....	15
Delivery Tray Assembly	
1301123 .....	15
Door Lock	
1300060 .....	9, 11
Drain Tube	
1300188 .....	33
Drive Motor	
1300882 .....	25
Drive Roll Roll Pin	
1300159 .....	17

## E

Elbow	
1300175 .....	31

N/A items do not appear in index.

Electric Heat Inner Roll	
1300455 .....	29
1300486 .....	29
1300498 .....	29
Electrical Box	
1300330 .....	21
1301163 .....	21
Electrical Shock Label	
D502511 .....	35
Electronic Thermostat	
1300070 .....	13
Emergency Stop Kit	
44018701P .....	5, 7
Emergency Switch	
1300559 .....	5, 7
Exhaust Pipe	
1300151 .....	19
Exhaust Pipe Elbow	
1300150 .....	19

---

**F**

Fan Contactor	
1300009 .....	9, 11
Fan Inverter	
1300054-1 .....	5, 7, 11
Fan Motor	
1300064 .....	27
Feed Ribbon	
1300153P .....	15
Feed Roll Shaft Kit	
1300119P .....	17
Feed Table	
1300444 .....	19
1300478 .....	19
1300495 .....	19
1301111 .....	19
1301112 .....	19
1301113 .....	19
Feed Table Bracket	
1300425 .....	21
Feed Tray End Panel	
1300238 .....	19
1301114 .....	19
Finger Guard	
1300231 .....	19
1300232 .....	19
1300233 .....	19
Finger Guard Shaft	
1301060 .....	21
Fitting	
1300143 .....	33
Front Panel	
1300234 .....	19
1300235 .....	19
1300236 .....	19
1301108 .....	19
1301109 .....	19
1301110 .....	19
Front Panel Bracket	
1300248P .....	19
Fuse	
1300531 .....	5, 7
1300532 .....	7

1300533 .....	7
1300547 .....	5, 7
1300563 .....	11
Fuse Holder	
1300028 .....	9, 11
1300529 .....	5, 7

---

**G**

Gas Burner Bracket	
1300241 .....	31
1300242 .....	31
Gas Deflector	
1300464 .....	31
1300471 .....	31
1300488 .....	31
1300503 .....	31
Gas Exhaust Pipe	
1300458 .....	31
Gas Heat Contactor	
1300525P .....	7
Gas Heated Roll End	
1300446 .....	31
1300472 .....	31
Gas Reset Pushbutton Head	
1300519 .....	13
Gas Screen	
1300430 .....	31
1300483 .....	31
1300501 .....	31
Gas Screen End	
1300456 .....	31
Gas Valve	
1300080 .....	7, 11
1300518 .....	7, 11
Gas Valve Harness	
1300007 .....	7, 11
Ground Terminal	
1300029 .....	9, 11
Ground Terminal Block	
1300517 .....	5, 7
1300555 .....	5, 7
Guide Rail	
1300451 .....	17
1300482 .....	17
1300505 .....	17
Guide Strip	
1300449 .....	17
1300487 .....	17
1300500 .....	17
Guide Tape	
1300165 .....	15

---

**H**

Harness	
1300885 .....	11
Heat Contactor	
1300012 .....	5, 9
1300013 .....	5, 9
Heated Roll	
1300436 .....	17

N/A items do not appear in index.



1300473 .....	17
1300499 .....	17
Heated Roll Bearing	
1300126 .....	33
Heated Roll Bearing Housing	
1300435 .....	33
Heated Roll Plate	
1300424 .....	33
Heated Roll Shaft	
1300120 .....	17
1300133 .....	33
1300137 .....	17, 23, 25
1300138 .....	17, 25
1300142 .....	33
Heating Element	
1300075 .....	27, 29
1300076 .....	27, 29
1300077 .....	27, 29
Heating Element Clamp	
1300178 .....	29

---

## I

Idler Sprocket	
1300146 .....	25
Igniter	
1300006P .....	7, 11
Igniter Bracket	
1300438 .....	31
Ignition Control	
1300008 .....	7, 11
1300520P .....	7, 11
Insulation	
1301150 .....	31
Insulation Bracket	
1300244 .....	31
Inverter Drive	
1301117 .....	9

---

## L

Lateral Cross Brace	
1300225 .....	21
1300226 .....	21
1300227 .....	21
Left Blower Housing	
1300428 .....	21
1301104 .....	21
Left Electric Heated Roll End	
1300470 .....	29
1300508 .....	29
Left Frame	
1300554 .....	21
Left Gas Heated Roll End	
1300467 .....	31
Left Panel	
1300249 .....	21
1300250 .....	21
Left Steam Heated Roll Bottle	
1300132 .....	33
Left Steam Heated Roll End	
1300461 .....	33

Loading Tray	
1300206P .....	15
Loading Tray Assembly	
1301165 .....	15
L.P. Valve Kit	
1300564 .....	31

---

## M

Main Switch	
1300048P .....	11
1300055 .....	9
Main Switch Extension	
1300059 .....	9, 11
Main Switch Handle	
1300053 .....	9
1300056 .....	9, 11
Motor Mount	
1300426 .....	21

---

## N

Nameplate Overlay	
1300000 .....	19
1300001 .....	19
1300002 .....	19
Natural Gas Notice Label	
D501140 .....	35

---

## P

Plate	
1300457 .....	21
Pop Rivet	
1300510 .....	29
1300511 .....	17
Position Switch Body	
1300043 .....	5, 7, 13
Position Switch Head	
1300044 .....	5, 7, 13
Press Roll Chain	
1300879P .....	25
Pressure Roll	
1300448 .....	17
1300480 .....	17
1300497 .....	17
Pressure Switch	
1301188 .....	11
Pressure Switch Kit	
1301202 .....	7
Pressure Switch Tubing	
1300193 .....	31
Printed Circuit Board	
1300527P .....	5, 7
Pushbutton	
44018801 .....	5, 7
Pushbutton Body	
1300045 .....	13
Pushbutton Head	
1300039 .....	13

N/A items do not appear in index.

---

**R**

Rail	
1300443 .....	21
1300459 .....	21
1300460 .....	21
1300477 .....	21
1300484 .....	21
1300485 .....	21
1300492 .....	21
1300493 .....	21
1300494 .....	21
Rear Panel	
1300440 .....	19
1300476 .....	19
1300491 .....	19
Receiving Tray End Panel	
1300239 .....	19, 21
1301100 .....	19, 21
Reducing Bushing	
1300179 .....	31
1300180 .....	31
Return Ribbon Pin	
1301133 .....	15
Ribbon	
1300154P .....	15
Right Blower Housing	
1300427 .....	19
1301103 .....	19
Right Electric Heated Roll End	
1300468 .....	29
1300469 .....	29
1300507 .....	29
Right Frame	
1300553 .....	19
Right Panel	
1300237 .....	19
Right Steam Heated Roll Bottle	
1300144 .....	33
Right Steam Heated Roll End	
1300462 .....	33
Roll End	
1300463 .....	17
Roll Tape	
1300162 .....	15
Roller	
1300466 .....	17
1300489 .....	17
1300506 .....	17
Roller Kit	
1301194 .....	23, 25
Rotary Joint Flange	
1300141 .....	33
1300570 .....	33
Rotary Joint Stud	
1300442 .....	33
Rotating Warning Sticker	
M412238 .....	35

---

**S**

Safety Microswitch	
1300521 .....	5, 7

N/A items do not appear in index.

Screw	
1300512 .....	25
1301191 .....	33
1301197 .....	25
Seal	
1301146 .....	33
Sensor	
1301116 .....	17
Sensor Spring	
1300202 .....	17
Sensor Support	
1300331 .....	17
Speed Potentiometer	
1300026 .....	13
Spring	
1300181 .....	21
Sprocket	
1300115 .....	25
1300116 .....	25
1300117 .....	25
Steam Heat Rotary Joint	
1300140 .....	33
Steam Heated Roll	
1300437 .....	33
1300474 .....	33
1300504 .....	33
Steam Heated Roll Box Bottom	
1300453 .....	33
Steam Heated Roll Box Side	
1300454 .....	33
Steam Heated Roll Box Top	
1300452 .....	33
Steam Heated Roll Syphon Tube	
1300441 .....	33
Steam Hose	
1300203P .....	33
1300204 .....	33
Switch Body	
1300041 .....	13
Switch Head	
1300040 .....	13

---

**T**

Temperature Sensor Package	
1300565P .....	5, 7, 13
Tension Bearing	
1300125 .....	23
Tension Bearing Slide Plate	
1300113 .....	23
Tension Bearing Slide Rail	
1300112 .....	23
Tension Spring	
1300149 .....	23
1300158 .....	23
Tension Spring Bracket	
1300246 .....	23
1300429 .....	23
Tension Spring Shaft	
1300131 .....	23
Terminal Block	
1300021 .....	5, 7
1300022 .....	9, 11

1300556 .....	5, 7
1300557 .....	5, 7
Textile Scraper	
1300219P .....	17
Textile Scraper Rail	
1300450 .....	17
1300481 .....	17
1300502 .....	17
Thermal Relay	
1300016 .....	5, 9, 11
Thermostat	
1300079P .....	5, 7, 13
Top Panel	
1300228 .....	19
1300229 .....	19
1300230 .....	19
1301105 .....	19
1301106 .....	19
1301107 .....	19
Transformer	
1300522 .....	7
1300534P .....	5
Tube	
1300591 .....	23, 25

---

## V

Vent and Thimble Caution Label	
M411815 .....	35

---

## W

Warning Label	
D500316 .....	35

---

