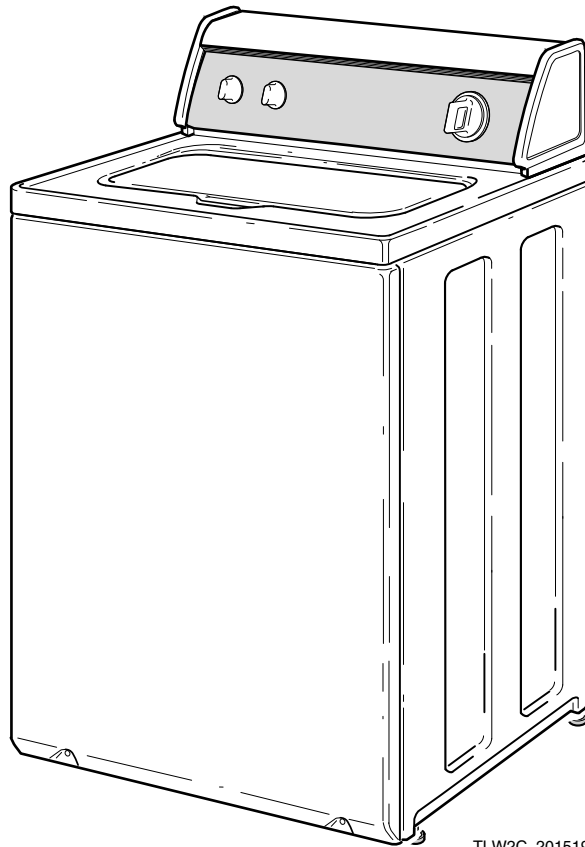


Residential and Non-Vend Topload Washers

Refer to Page 3 for Model Numbers



TLW2C_201519



Table of Contents

Title	Page
Parts Ordering Information.....	2
Serial Plate Location	2
Model Identification	3
Graphic Panel, Control Support Panel and Controls	4
Control Panel, Control Support Panel and Controls	6
Lid Switch Assembly	8
Top, Lid and Hood Back Panel	10
Fill Hose, Mixing Valve-to-Tub Cover Hose, Mixing Valve and Bracket - Models AWS48NW and AWS53NW	12
Fill Hose, Mixing Valve-to-Tub Cover Hose, Mixing Valve and Bracket - All Models Except AWS48NW and AWS53NW	14
Motor, Mounting Bracket, Belt, Pump and Idler Assembly.....	16
Agitator, Drive Bell, Hub and Lip Seal Kit and Washtub	18
Agitator, Fabric Softener Dispenser, Drive Bell, Hub and Lip Seal Kit and Washtub.....	20
Outer Tub, Cover, Bearing and Seal Housing, Pressure Hose and Counterweight.....	22
Outer Tub, Cover, Pressure Hose and Counterweight	24
Drain Hose and Siphon Break Kit	26
Weldment and Bearing Assembly, Brake and Pulley.....	28
Transmission Assembly	30
Front Panel, Base Assembly and Cabinet Kit.....	32
Mixing Valve and Motor Connection Blocks, Terminals and Extractor Tool.....	34
Lead-In Cord and Terminals	36
Terminals	38
Shipping Brace, Plug and Special Tools.....	40
Special Tools	42
Wire Harnesses and Wires	44
Parts Index.....	47

© Copyright 2024, Alliance Laundry Systems LLC

All rights reserved. No part of the contents of this book may be reproduced or transmitted in any form or by any means without the expressed written consent of the publisher.

Parts Ordering Information

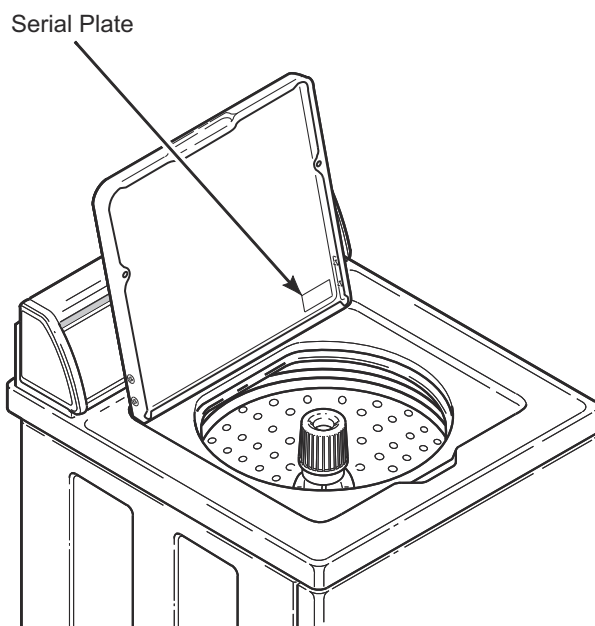
If literature or replacement parts are required, contact the source from whom the machine was purchased or contact Alliance Laundry Systems at (920) 748-3950 for the name and address of the nearest authorized parts distributor.

For technical assistance, call the number listed below:

(920) 748-3121 Ripon, Wisconsin

Serial Plate Location

When calling or writing about your product, be sure to mention model and serial numbers. Model and serial numbers are located on serial plate(s) as shown.



W429S_201519

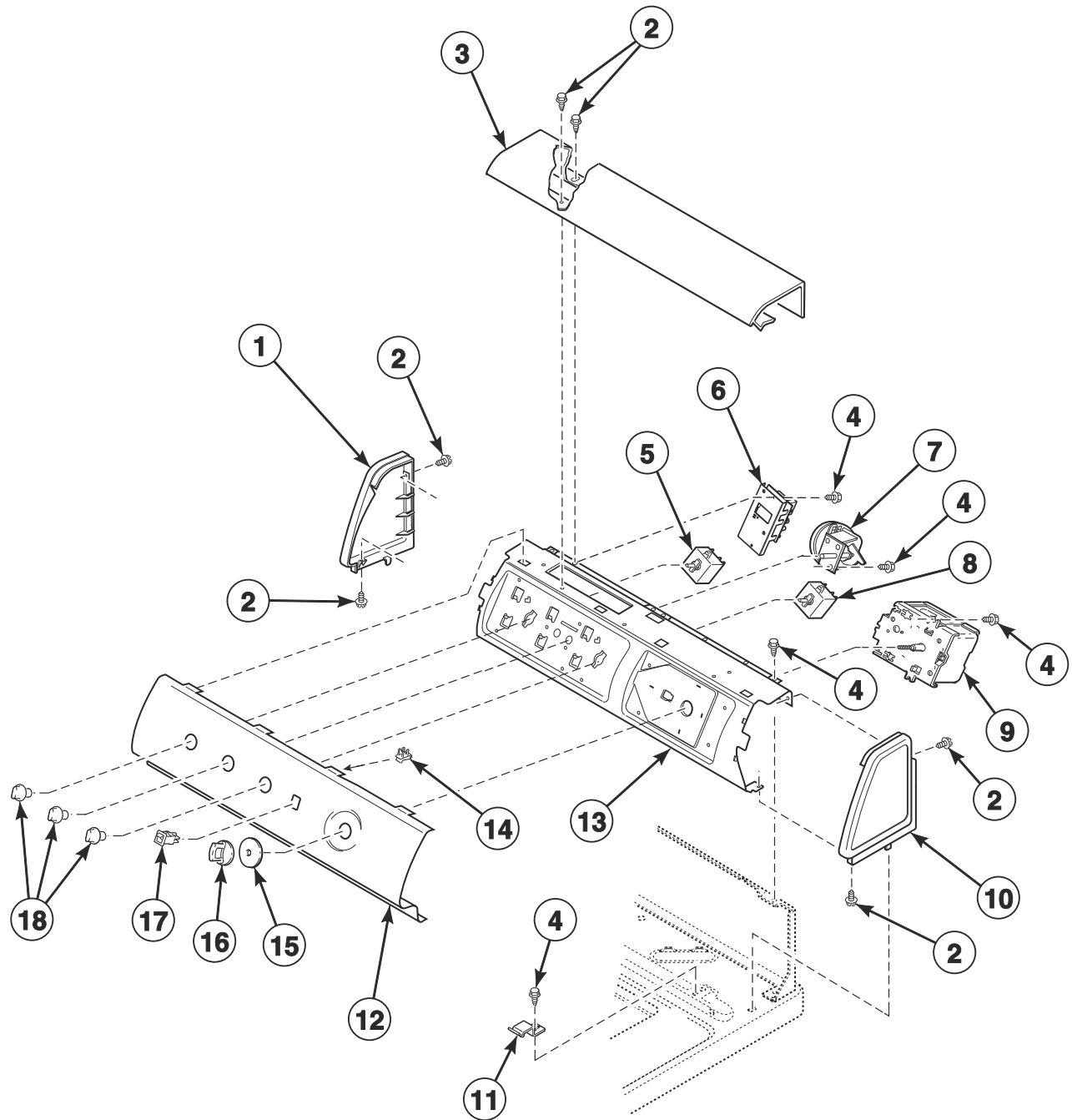
Model Identification

Information in this manual is applicable to these washer models:

AWN311SP111TW01
AWN402PP111TW01
AWN412SP111TW01
AWN432SP111TW01
AWN542SP111TW01
AWN542SP111TWAH
AWNA11SP111TW01
AWS01NW
AWS17NW
AWS44NW
AWS45NW
AWS48NW
AWS51NW
AWS52NW
AWS53NW
AWS75NW
AWS76NW

Graphic Panel, Control Support Panel and Controls

All Models Except AWWA11SP111TW01



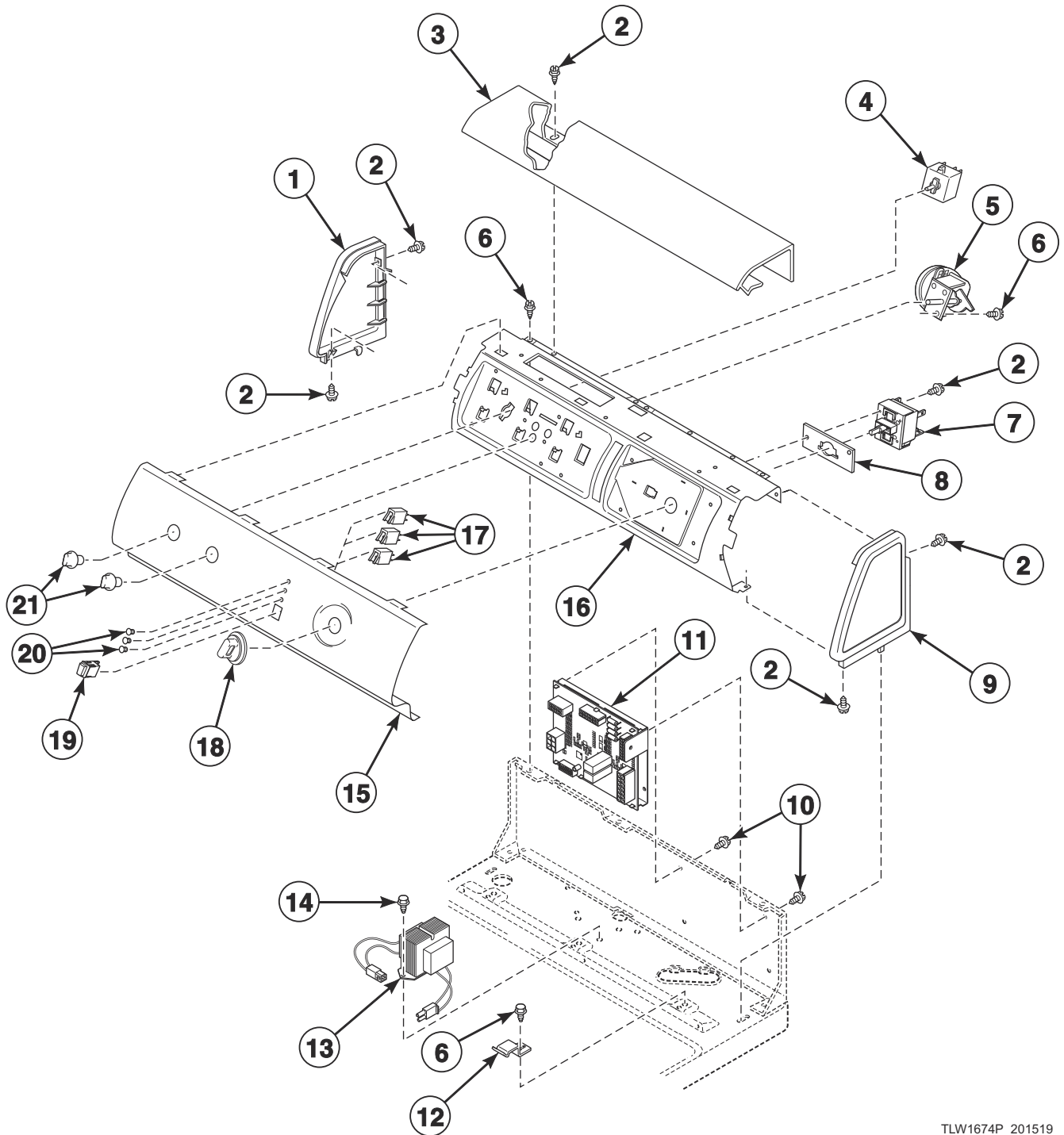
TLW1532P_201519

Graphic Panel, Control Support Panel and Controls

REF	PART NO.	DESCRIPTION	COMMENTS
1	D504009WP	End Panel	Left
2	D501086	Screw	
3	39905W	Top Cover	
4	23962	Screw	
5	36335	Temperature Switch	Models AWS45NW, AWS52NW, AWS53NW and AWS75NW; 4 position
	35115	Temperature Switch	All other models; 3 position
6	201279P	Temperature Control	Models AWS48NW and AWS53NW
7	201609P	Pressure Switch	Models AWN311SP111TW01, AWN402PP111TW01, AWN412SP111TW01, AWN432SP111TW01, AWN542SP111TW01, AWN542SP111TWAH and AWS53NW
	39035P	Pressure Switch	Model AWS01NW
	201927P	Pressure Switch	All other models
8	35118	Speed Switch	Models AWN542SP111TW01, AWN542SP111TWAH, AWS75NW and AWS76NW
9	38881P	Timer	Models through serial nos. beginning 1412; Models AWN432SP111TW01, AWS51NW, AWS52NW and AWS53NW
	37927P	Timer	Models AWN402PP111TW01, AWN412SP111TW01, AWS44NW, AWS45NW and AWS48NW
	200927P	Timer	Models AWN311SP111TW01, AWS01NW and AWS17NW
	37922P	Timer	Models AWN542SP111TW01, AWN542SP111TWAH, AWS75NW and AWS76NW
10	D504008WP	End Panel	Right
11	205340	Hold-Down Clip	
12	201474W	Graphic Panel	Model AWS52NW
	201478W	Graphic Panel	Model AWS48NW
	201481W	Graphic Panel	Model AWS45NW
	201655W	Graphic Panel	Model AWS17NW through Serial Nos. beginning 0612
	201591W	Graphic Panel	Model AWS75NW
	201648W	Graphic Panel	Model AWS01NW
	201592	Graphic Panel	Model AWS53NW
	201817W	Graphic Panel	Model AWS44NW
	201836W	Graphic Panel	Model AWS51NW
	201837W	Graphic Panel	Model AWS76NW
	201835W	Graphic Panel	Model AWS17NW starting Serial Nos. beginning 0701
	202074W	Graphic Panel	Model AWN311SP111TW01
	202112W	Graphic Panel	Models AWN402PP111TW01 and AWN412SP111TW01
	202075W	Graphic Panel	Model AWN432SP111TW01
	202076W	Graphic Panel	Model AWN542SP111TW01
	202848W	Control Panel	Model AWN542SP111TWAH
13	38171	Control Support Panel	Models AWN311SP111TW01, AWN402PP111TW01, AWN412SP111TW01, AWS01NW, AWS17NW, AWS44NW, AWS45NW and AWS48NW
	38565	Control Support Panel	Models AWN432SP111TW01, AWS51NW, AWS52NW and AWS53NW
	201654	Control Support Panel	Models AWN542SP111TW01, AWN542SP111TWAH, AWS75NW and AWS76NW
14	00161	Grounding Clip	
15	803116	Timer Skirt Assembly	Models AWN311SP111TW01, AWN402PP111TW01, AWN412SP111TW01, AWN432SP111TW01, AWN542SP111TW01 and AWN542SP111TWAH
	36700W	Timer Skirt Assembly	All other models
16	202133	Timer Knob Assembly	Models AWN311SP111TW01, AWN402PP111TW01, AWN412SP111TW01, AWN432SP111TW01, AWN542SP111TW01 and AWN542SP111TWAH
	201501W	Timer Knob	All other models
17	38424W	Rocker Switch	Models AWN432SP111TW01, AWN542SP111TW01, AWN542SP111TWAH, AWS51NW, AWS52NW, AWS53NW, AWS75NW and AWS76NW
18	803119P	Control Knob Assembly	Models AWN311SP111TW01, AWN402PP111TW01, AWN412SP111TW01, AWN432SP111TW01 and AWN542SP111TW01
	804719	Control Knob Assembly	Model AWN542SP111TWAH
	36701W	Knob Assembly	All other models

Control Panel, Control Support Panel and Controls

Model AWNA11SP111TW01

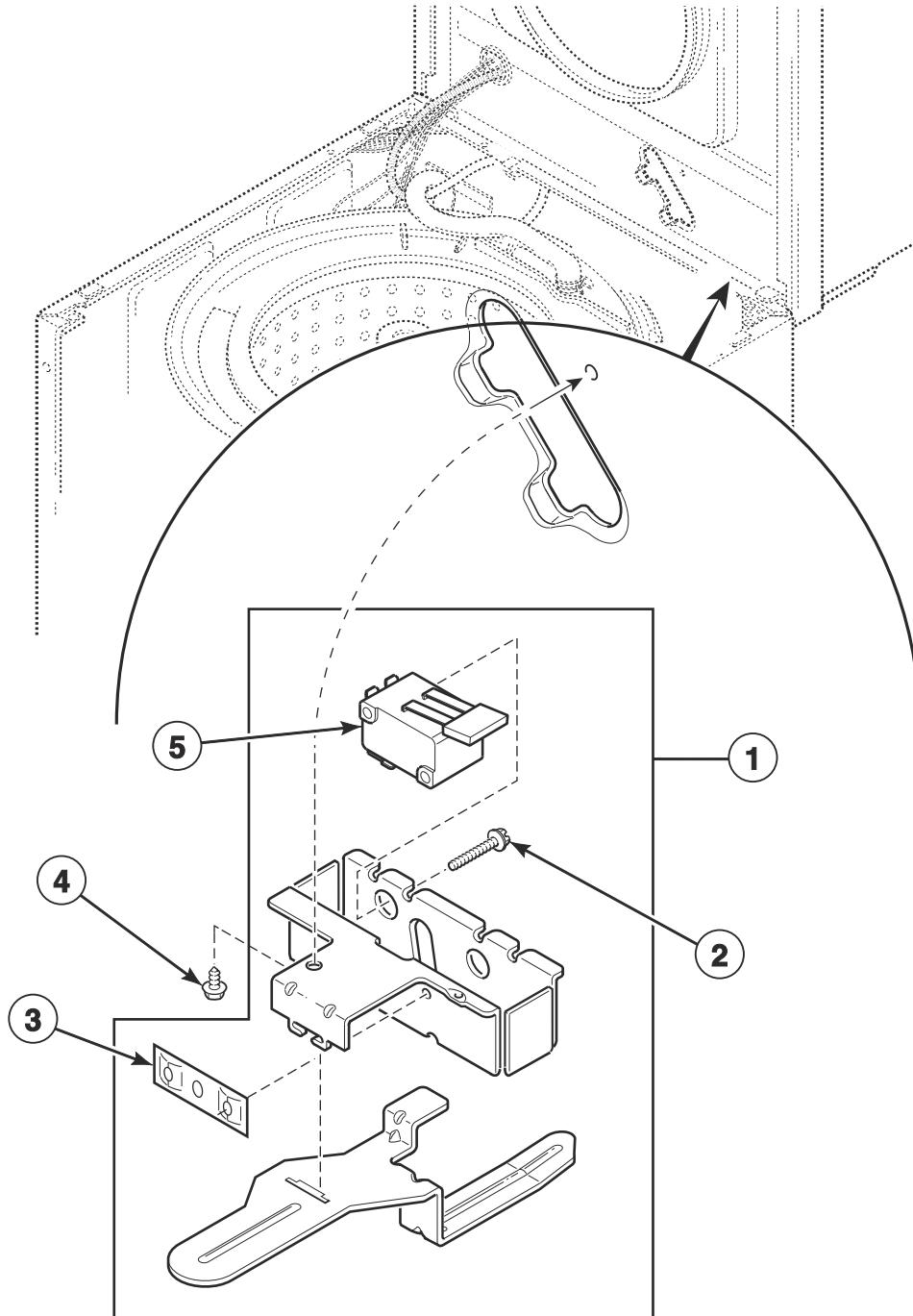


TLW1674P_201519

Control Panel, Control Support Panel and Controls

REF	PART NO.	DESCRIPTION	COMMENTS
1	D504009WP	End Panel	Left
2	D501086	Screw	
3	39905W	Top Cover	
4	35115	Temperature Switch	
5	201609P	Pressure Switch	
6	23962	Screw	
7	801240	Cycle Switch	
8	801390	Cycle Switch Bracket	
9	D504008WP	End Panel	Right
10	D501524	Screw	
11	202320P	Control Assembly	
12	35358	Hold-Down Clip	
13	201587P	Transformer	
14	D503661	Screw	
15	202440W	Control Panel	
16	38171	Control Support Panel	
17	801356	Indicator Light	
18	803168P	Knob Assembly	
19	801434W	Push-to-Start Switch	
20	801435	Indicator Light Lens	
21	803119P	Control Knob Assembly	

Lid Switch Assembly

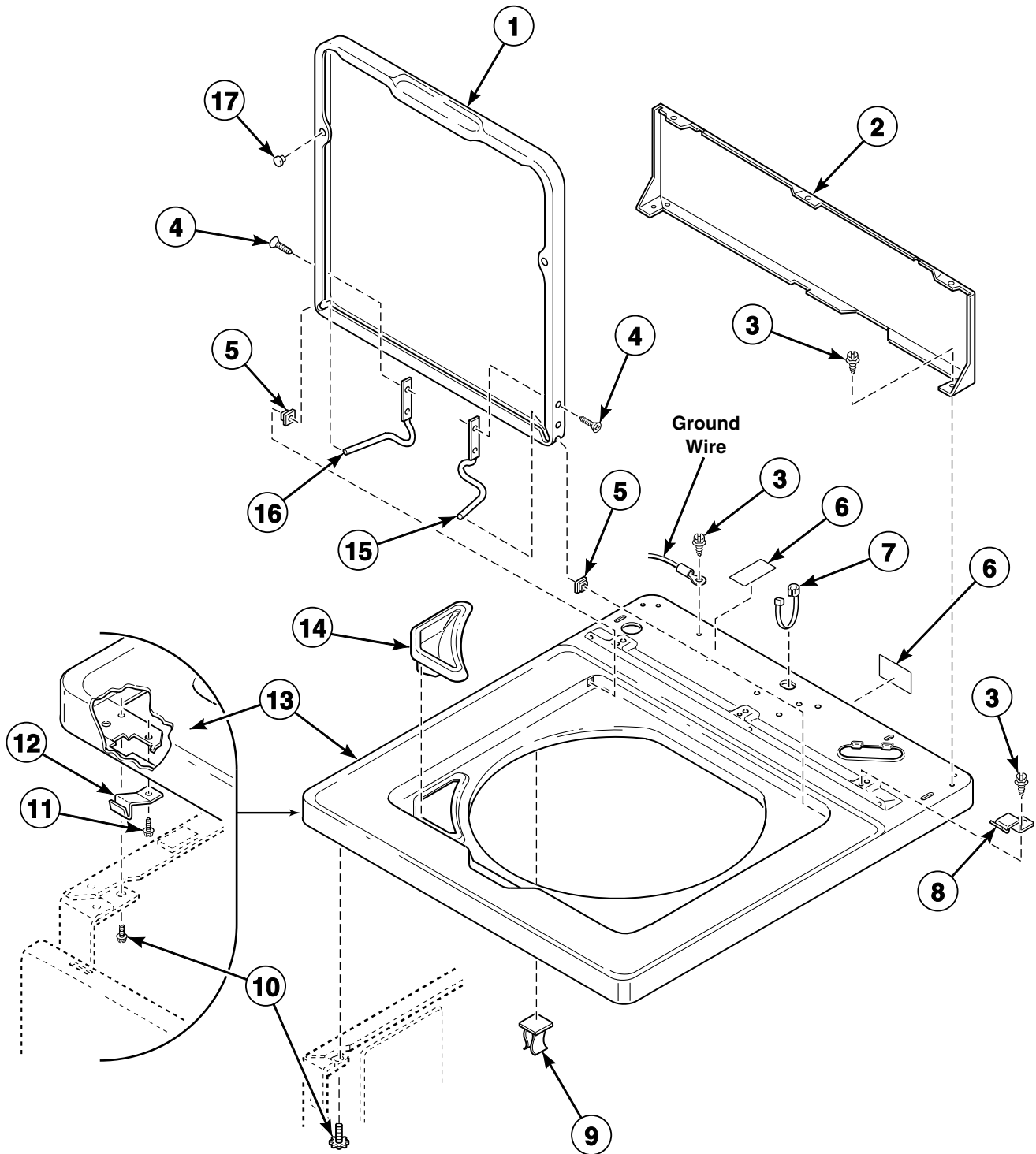


TLW1893P

Lid Switch Assembly

REF	PART NO.	DESCRIPTION	COMMENTS
1	204979	Lid Switch Assembly	
2	M402574	Screw	
3	M400981	Nut	
4	23962	Screw	
5	33445	Switch	

Top, Lid and Hood Back Panel

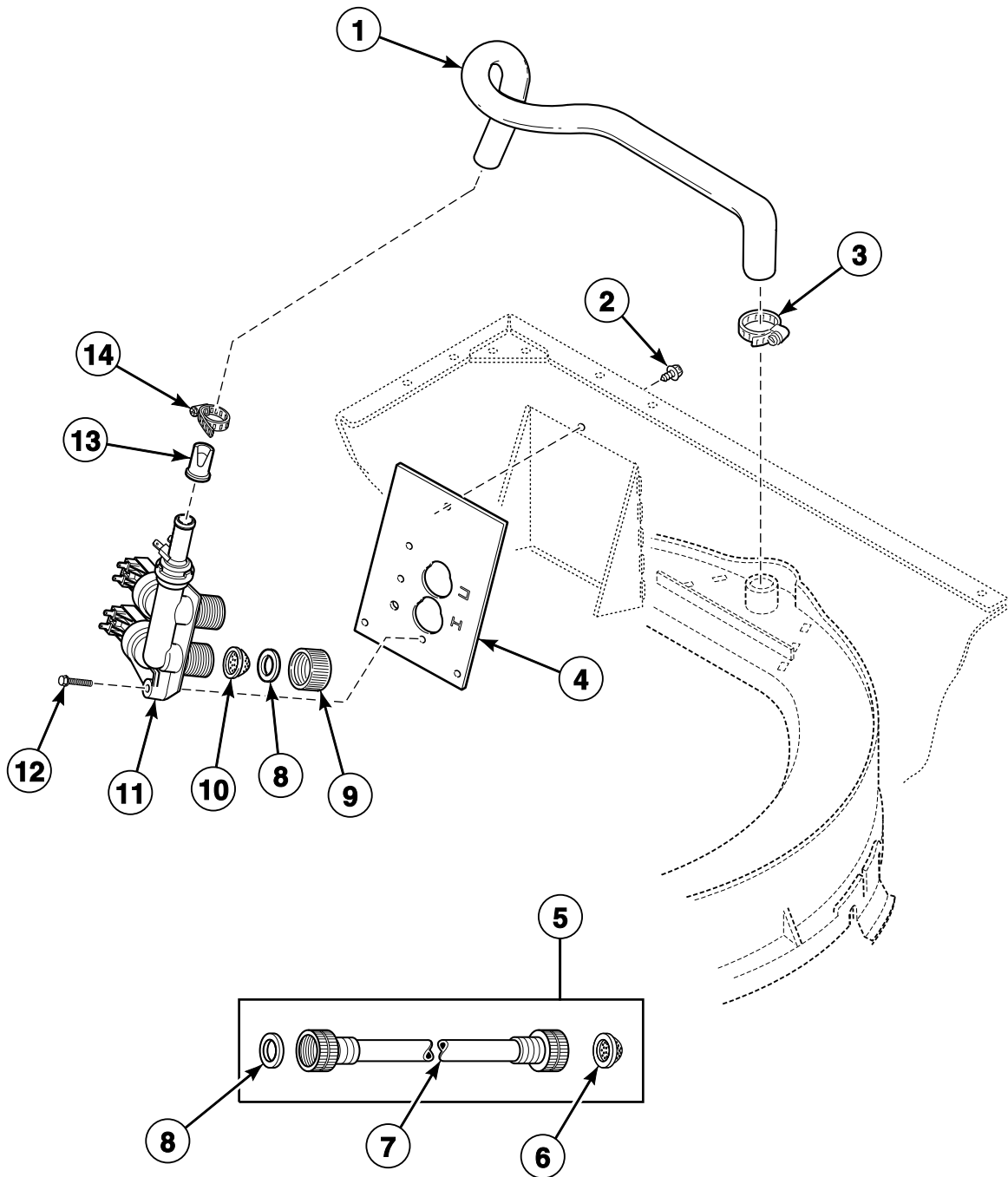


TLW1477P_201519

Top, Lid and Hood Back Panel

REF	PART NO.	DESCRIPTION	COMMENTS
1	202441W	Lid	Model AWNA11SP111TW01
	37395WP	Lid	All other models
2	202319	Rear Panel Assembly	Model AWNA11SP111TW01
	37782	Hood Back Panel	All other models
3	23962	Screw	
4	34337	Screw	
5	33446	Bushing	
6	D505281	Disconnect Power Warning Label	
7	38384	Strain Relief	
8	35358	Hold-Down Clip	
9	36519	Hinge Stop Clip	
10	33562	Screw	
11	D501086	Screw	
12	38271	Hold-Down Clip	Use for older style panel attachment
13	202326WP	Top Assembly	Model AWNA11SP111TW01
	37992WP	Top	All other models
14	38382	Bleach Dispenser	All models except AWNA11SP111TW01
15	36437	Lid Hinge	Right
16	36513	Lid Hinge	Left
17	21685	Bumper	

Fill Hose, Mixing Valve-to-Tub Cover Hose, Mixing Valve and Bracket - Models AWS48NW and AWS53NW

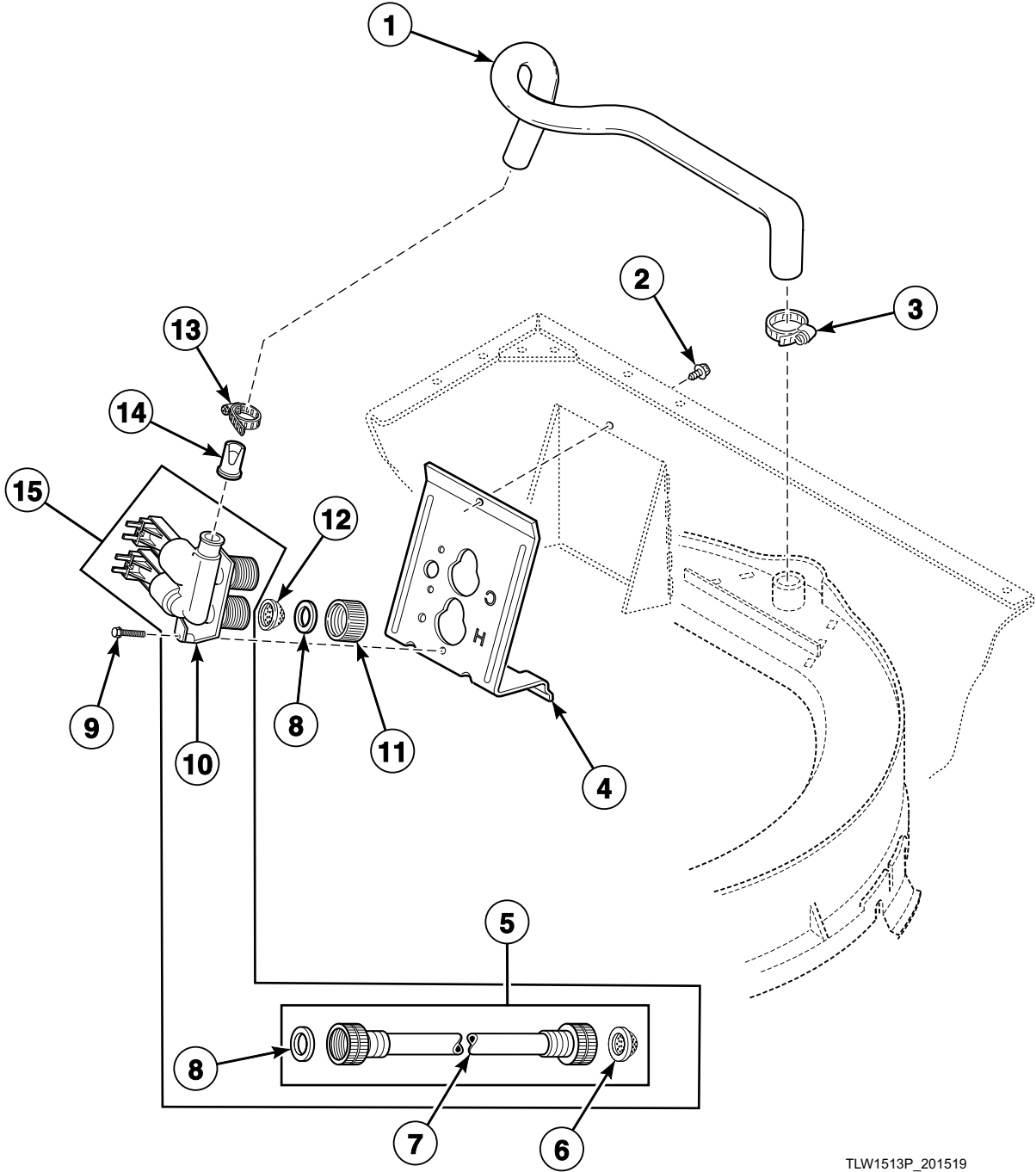


TLW1512P_201519

Fill Hose, Mixing Valve-to-Tub Cover Hose, Mixing Valve and Bracket - Models AWS48NW and AWS53NW

REF	PART NO.	DESCRIPTION	COMMENTS
1	201302P	Mixing Valve-to-Tub Cover Hose	
2	33562	Screw	
3	36801	Hose Clamp	
4	201303	Mixing Valve Bracket	
5	F200116	Fill Hose	5 feet; Includes items 6 and 8
6	803615	Washer	Filter screen
	802254	Washer	Water pressure reducer; Available for water pressure up to but not exceeding 120 psi
7	20617	Fill Hose	8 feet
	20618	Fill Hose	10 feet
8	20290	Washer	
9	F8597201	Cap	Use to cap off hot water side of mixing valve on certain models
10	24122	Mixing Valve Screen	Steel mesh
	F8161201	Mixing Valve Screen	Plastic
11	201304P	Mixing Valve	
12	39397	Screw	
13	34500	Backflow Preventer	
14	36801	Hose Clamp	

Fill Hose, Mixing Valve-to-Tub Cover Hose, Mixing Valve and Bracket - All Models Except AWS48NW and AWS53NW

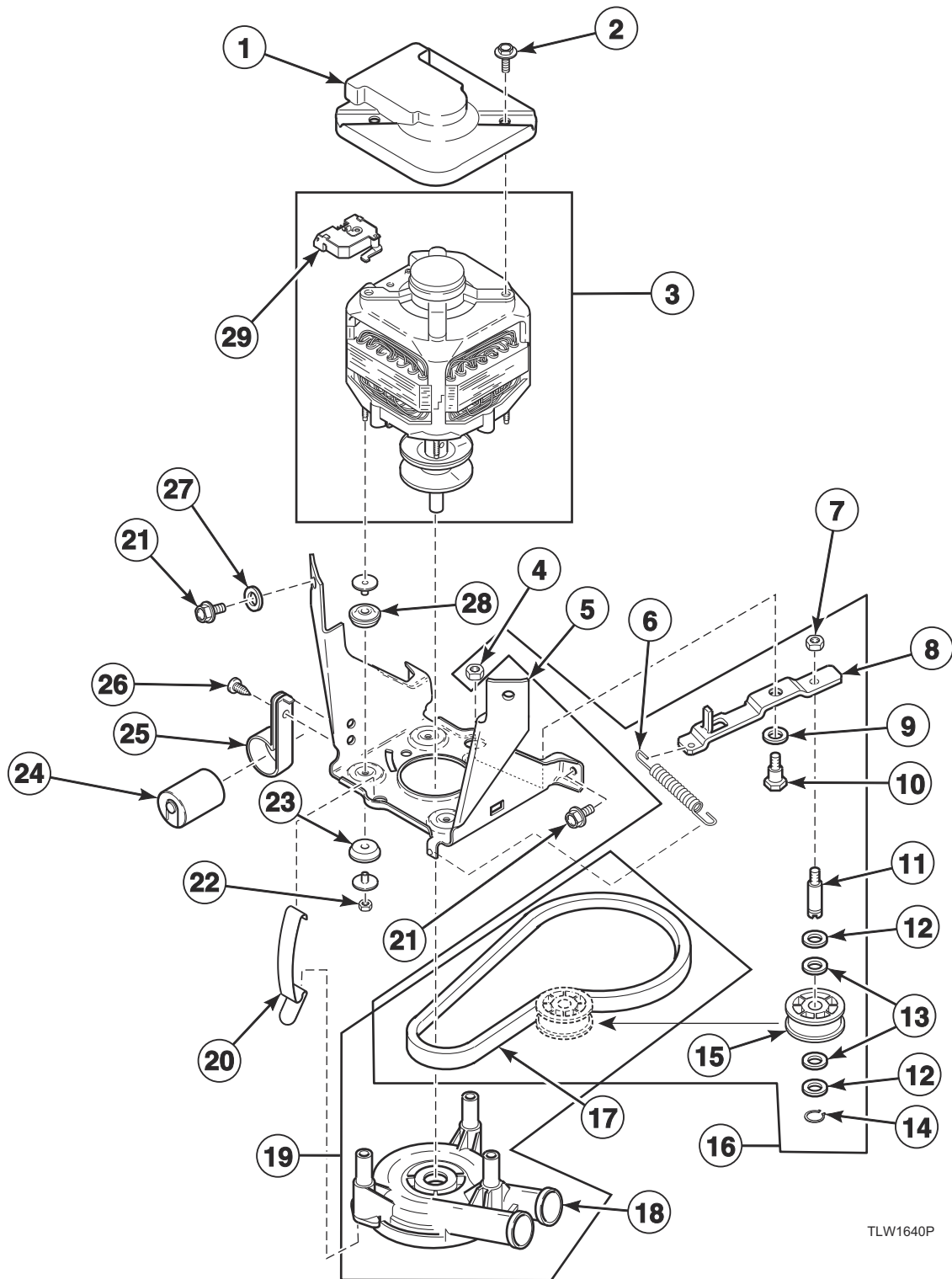


TLW1513P_201519

Fill Hose, Mixing Valve-to-Tub Cover Hose, Mixing Valve and Bracket - All Models Except AWS48NW and AWS53NW

REF	PART NO.	DESCRIPTION	COMMENTS
1	38155	Mixing Valve-to-Tub Cover Hose	
2	33562	Screw	
3	36801	Hose Clamp	
4	39407	Mixing Valve Mounting Bracket	
5	F200116	Fill Hose	5 feet; Includes items 6 and 8
6	803615	Washer	Filter screen
	802254	Washer	Flow restrictor; Water pressure reducer; Available for water pressure up to but not exceeding 120 psi
7	20617	Fill Hose	8 feet
	20618	Fill Hose	10 feet
8	20290	Washer	
9	39397	Screw	
10	201468P	Mixing Valve	Model AWS17NW starting Serial Nos. beginning 0701; Models AWN311SP111TW01, AWN402PP111TW01, AWN412SP111TW01, AWN432SP111TW01, AWN542SP111TW01, AWN542SP111TWAH, AWNA11SP111TW01, AWS44NW, AWS51NW and AWS76NW
	201402P	Mixing Valve	Model AWS17NW through Serial Nos. beginning 0612; Models AWS01NW, AWS45NW, AWS52NW and AWS75NW
11	F8597201	Cap	Use to cap off hot water side of mixing valve on certain models
12	24122	Mixing Valve Screen	Steel mesh
	F8161201	Mixing Valve Screen	Plastic
13	36801	Hose Clamp	
14	34500	Backflow Preventer	
15	RB150001	Mixing Valve Kit	Includes 201402P Mixing Valve and F200116 Fill Hose; Model AWS17NW through Serial Nos. beginning 0612; Models AWS01NW, AWS45NW, AWS52NW and AWS75NW

Motor, Mounting Bracket, Belt, Pump and Idler Assembly



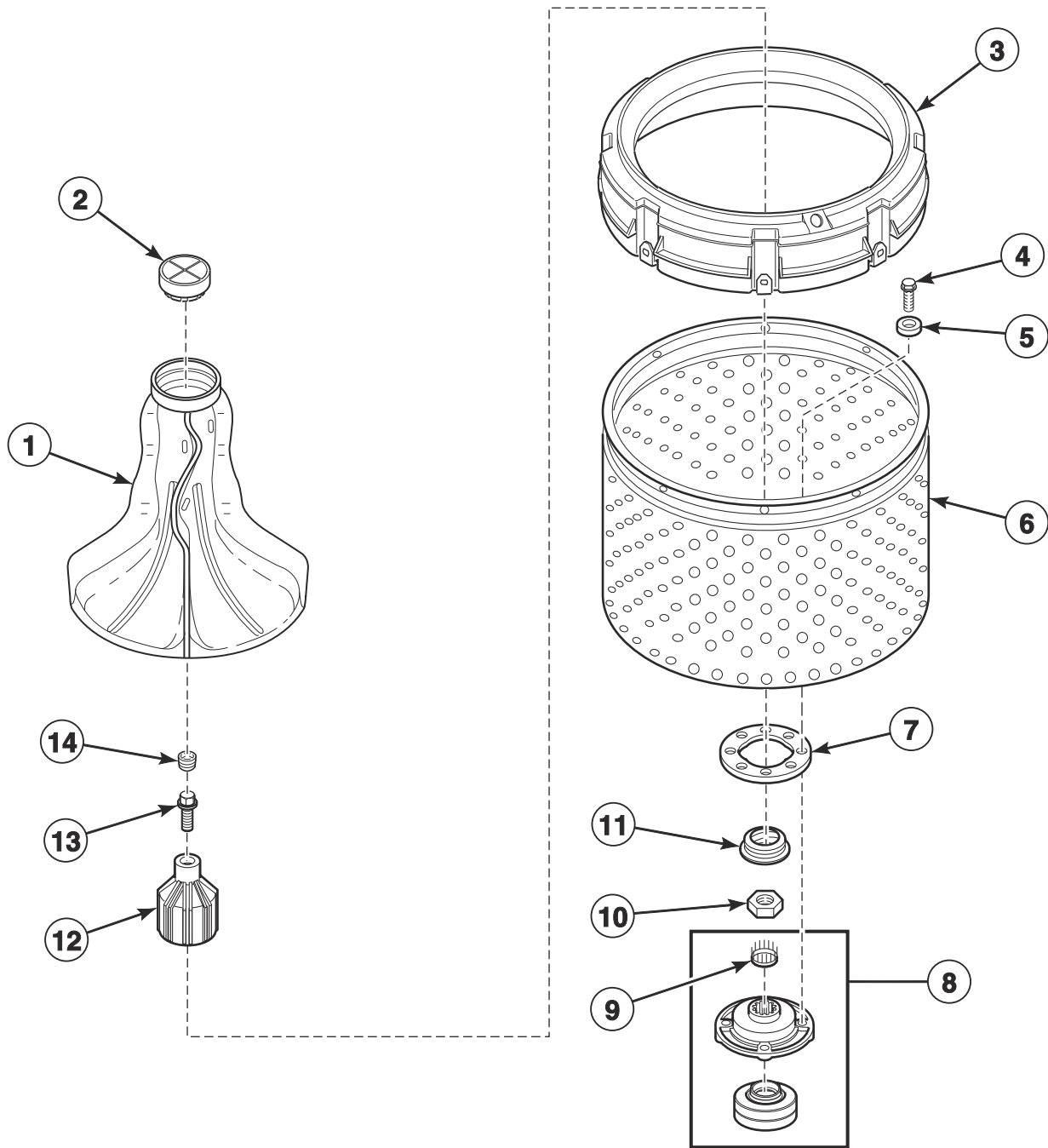
TLW1640P

Motor, Mounting Bracket, Belt, Pump and Idler Assembly

REF	PART NO.	DESCRIPTION	COMMENTS
1	34754	Motor Shield	
2	31645	Screw	
3	202322P	Motor Assembly	1 speed; 115 Volt/60 Hertz; Model AWNA11SP111TW01
	201615P	Motor Kit	2 speed; 120 Volt/60 Hertz; Models AWS45NW, AWS48NW, AWS52NW, AWS53NW and AWS75NW; Models AWS44NW, AWS51NW and AWS76NW through Serial Nos. beginning 0903
	38034P	Motor Kit	2 speed; 120 Volt/60 Hertz; Includes item 25; Models AWN402PP111TW01, AWN412SP111TW01, AWN432SP111TW01, AWN542SP111TW01 and AWN542SP111TWAH; Models AWS44NW, AWS51NW and AWS76NW starting Serial Nos. beginning 0904
	38036P	Motor Kit	1 speed; 115 Volt/60 Hertz; Models AWN311SP111TW01, AWS01NW and AWS17NW
4	52566	Nut	
5	200941	Motor Mount Bracket	
6	205365	Idler Lever Spring	
	202032	Idler Lever Spring	Use on units experiencing low RPM
7	28803	Nut	
8	38011	Idler Lever	
9	81392	Washer	
10	27229	Screw	
11	210186	Idler Shaft	
12	D504082	Washer	
13	52549	Washer	Nylatron
14	23748	Retaining Ring	
15	38225P	Idler Pulley	
16	959P3	Idler Lever Kit	Includes items 4, 7-15, 17 and 201189 Idler Lever Spring
17	200923	Agitate and Spin Belt	Model AWNA11SP111TW01
	38174	Agitate and Spin Belt	All other models
18	205217P	Pump Assembly Kit	
19	RB150003	Belt and Pump Kit	Includes item 17 and 18 (38174 Belt)
20	210202	Spring Clip	
21	35369	Screw	
22	685846	Nut	
23	204062	Motor Mount and Isolator Assembly	
24	37377	Capacitor	Models AWN402PP111TW01, AWN412SP111TW01, AWN432SP111TW01, AWN542SP111TW01, AWN542SP111TWAH and AWNA11SP111TW01; Models AWS44NW, AWS51NW and AWS76NW starting Serial Nos. beginning 0904
25	37535	Capacitor Clamp	Models AWN402PP111TW01, AWN412SP111TW01, AWN432SP111TW01, AWN542SP111TW01, AWN542SP111TWAH and AWNA11SP111TW01; Models AWS44NW, AWS51NW and AWS76NW starting Serial Nos. beginning 0904
26	52909	Screw	Models AWN402PP111TW01, AWN412SP111TW01, AWN432SP111TW01, AWN542SP111TW01, AWN542SP111TWAH and AWNA11SP111TW01; Models AWS44NW, AWS51NW and AWS76NW starting Serial Nos. beginning 0904
27	37772	Washer	
28	204449	Motor Mounts and Isolators Kit	Includes isolator post
29	35632P	Motor Switch	

Agitator, Drive Bell, Hub and Lip Seal Kit and Washtub

Models AWNA11SP111TW01 and AWS01NW



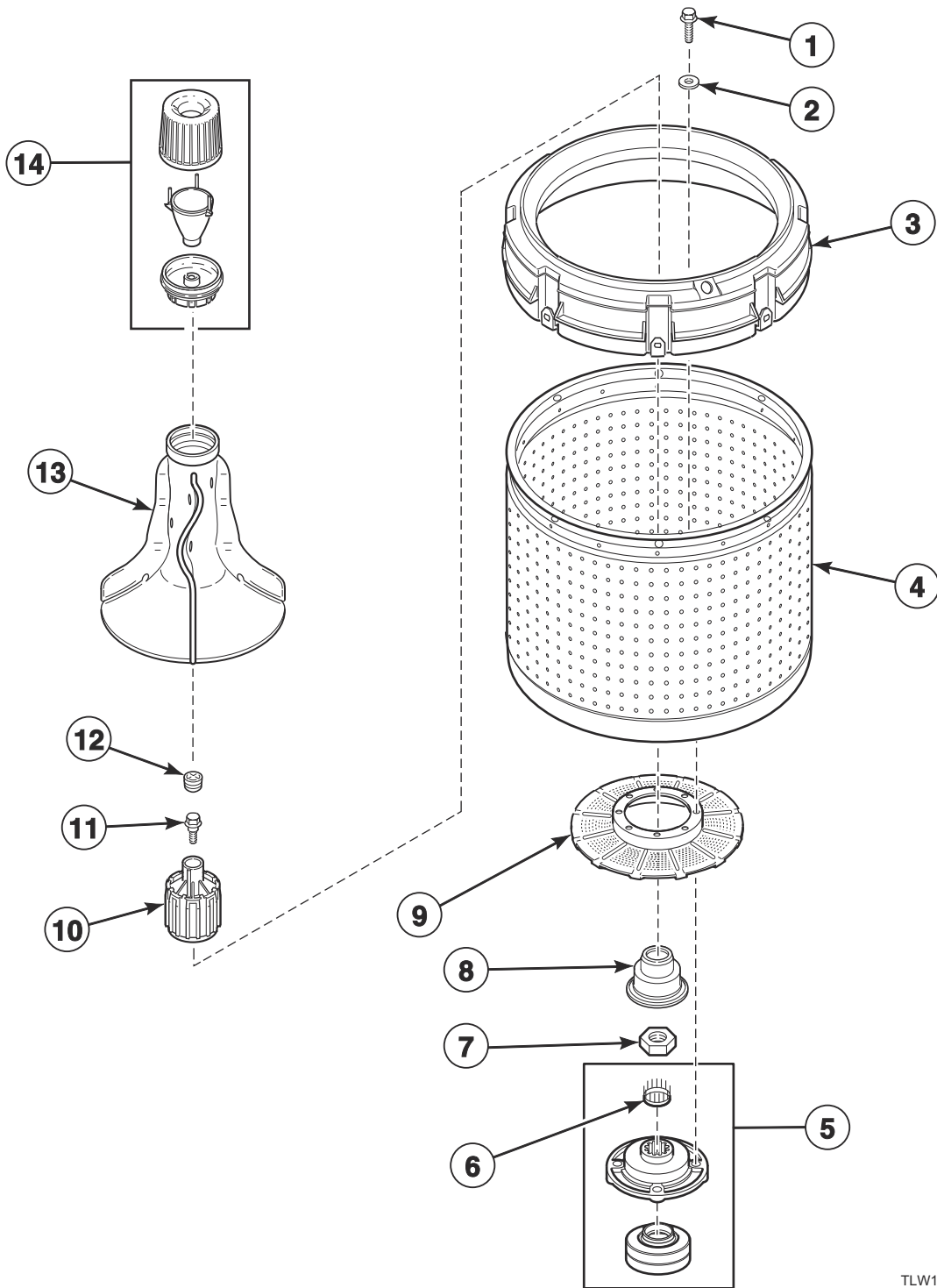
TLW1483P

Agitator, Drive Bell, Hub and Lip Seal Kit and Washtub

REF	PART NO.	DESCRIPTION	COMMENTS
1	33174	Agitator	
2	36515	Agitator Cap	
3	39836	Balance Ring Assembly	Model AWNA11SP111TW01
	39837	Balance Ring Assembly	Model AWS01NW
4	27202	Screw	
5	28094	Washer	Rubber; Model AWS01NW
6	204451	Tub Assembly	Stainless steel; Model AWNA11SP111TW01
	204429P	Tub Assembly	Blue porcelain; Model AWS01NW
7	39122	Washtub Gasket	
8	766P3A	Hub and Lip Seal Kit	DO NOT use any sealant other than 200996P Sealant; Includes installation tool
	200996P	Sealant	Use with hub and lip seal kit
9	29728	Spline Insert	
10	29220	Nut	
11	36425	Bell and Transmission Tube Seal	
12	39508P	Drive Bell and Seal Kit	Includes items 11, 13 and 14
13	39432	Screw	
14	36511	Bell Plug	

Agitator, Fabric Softener Dispenser, Drive Bell, Hub and Lip Seal Kit and Washtub

All Models Except AUNA11SP111TW01 and AWS01NW



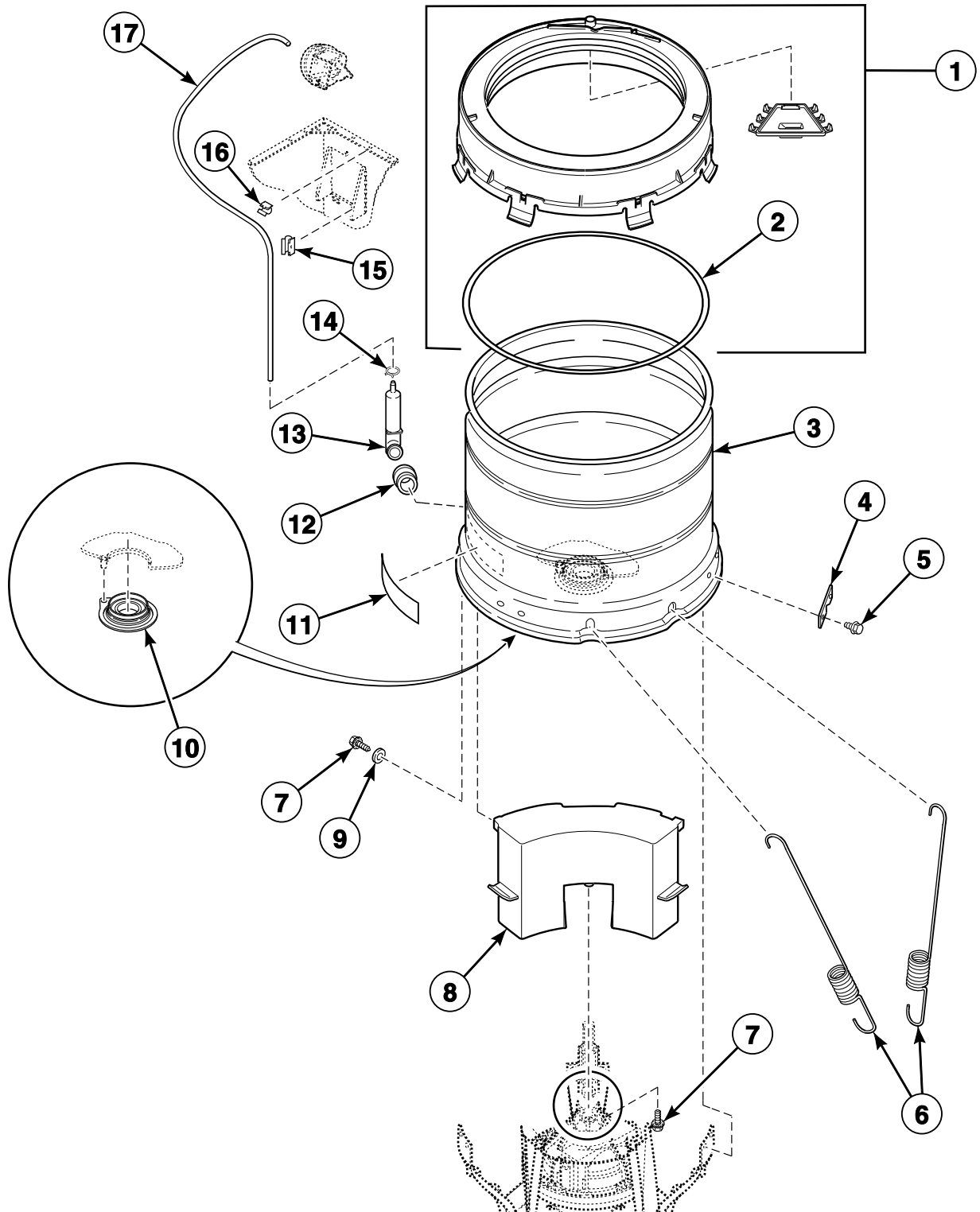
TLW1828P

Agitator, Fabric Softener Dispenser, Drive Bell, Hub and Lip Seal Kit and Washtub

REF	PART NO.	DESCRIPTION	COMMENTS
1	27202	Screw	
2	28094	Washer	Rubber; Use with porcelain washtub
3	39837	Balance Ring Assembly	
4	203882P	Tub Assembly	Stainless steel; Model AWN402PP111TW01
	719P3	Washtub Kit	Stainless steel; All other models
5	766P3A	Hub and Lip Seal Kit	DO NOT use any sealant other than 200996P Sealant; Includes installation tool
	200996P	Sealant	Use with hub and lip seal kit
6	29728	Spline Insert	
7	29220	Nut	
8	36425	Bell and Transmission Tube Seal	
9	39371	Lint Filter	
10	39508P	Drive Bell and Seal Kit	Includes items 8, 11 and 12
11	39432	Screw	
12	36511	Bell Plug	
13	36507	Flex Vane Agitator	
14	205225	Fabric Softener Dispenser Assembly	

Outer Tub, Cover, Bearing and Seal Housing, Pressure Hose and Counterweight

All Models Except AWWA11SP111TW01



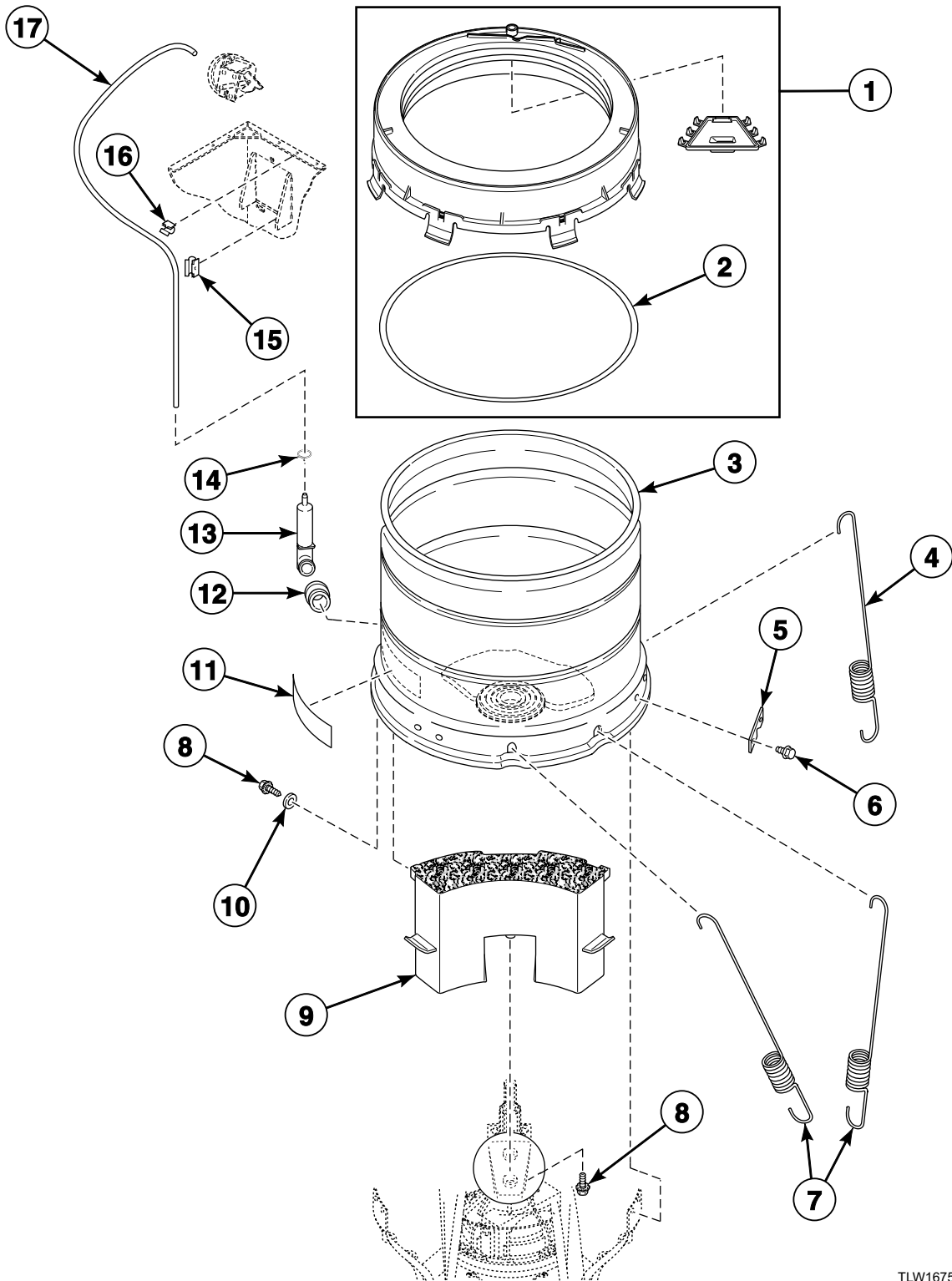
TLW1464P_201519

Outer Tub, Cover, Bearing and Seal Housing, Pressure Hose and Counterweight

REF	PART NO.	DESCRIPTION	COMMENTS
1	39169	Tub Cover Assembly	Includes item 2
2	38359	Tub Cover Gasket	
3	203604P	Outer Tub Assembly	Model AWS01NW
	203603P	Outer Tub Assembly	All other models
4	27926	Leg Plate	
5	35369	Screw	
6	37576	Leg Spring	Model AWS01NW
	37575	Leg Spring	All other models
7	39566	Screw	
8	205612	Counterweight Assembly	
9	39249	Washer	
10	766P3A	Hub and Lip Seal Kit	
	200996P	Sealant	Use with hub and lip seal kit
11	D500049	Warning Label	
12	29175	Grommet	
13	205241	Pressure Bulb Assembly	
14	39282	Hose Clamp	
15	36985	Hose Clip	
16	21036	Cable Clip	
17	202700	Tubing	

Outer Tub, Cover, Pressure Hose and Counterweight

Model AWNA11SP111TW01

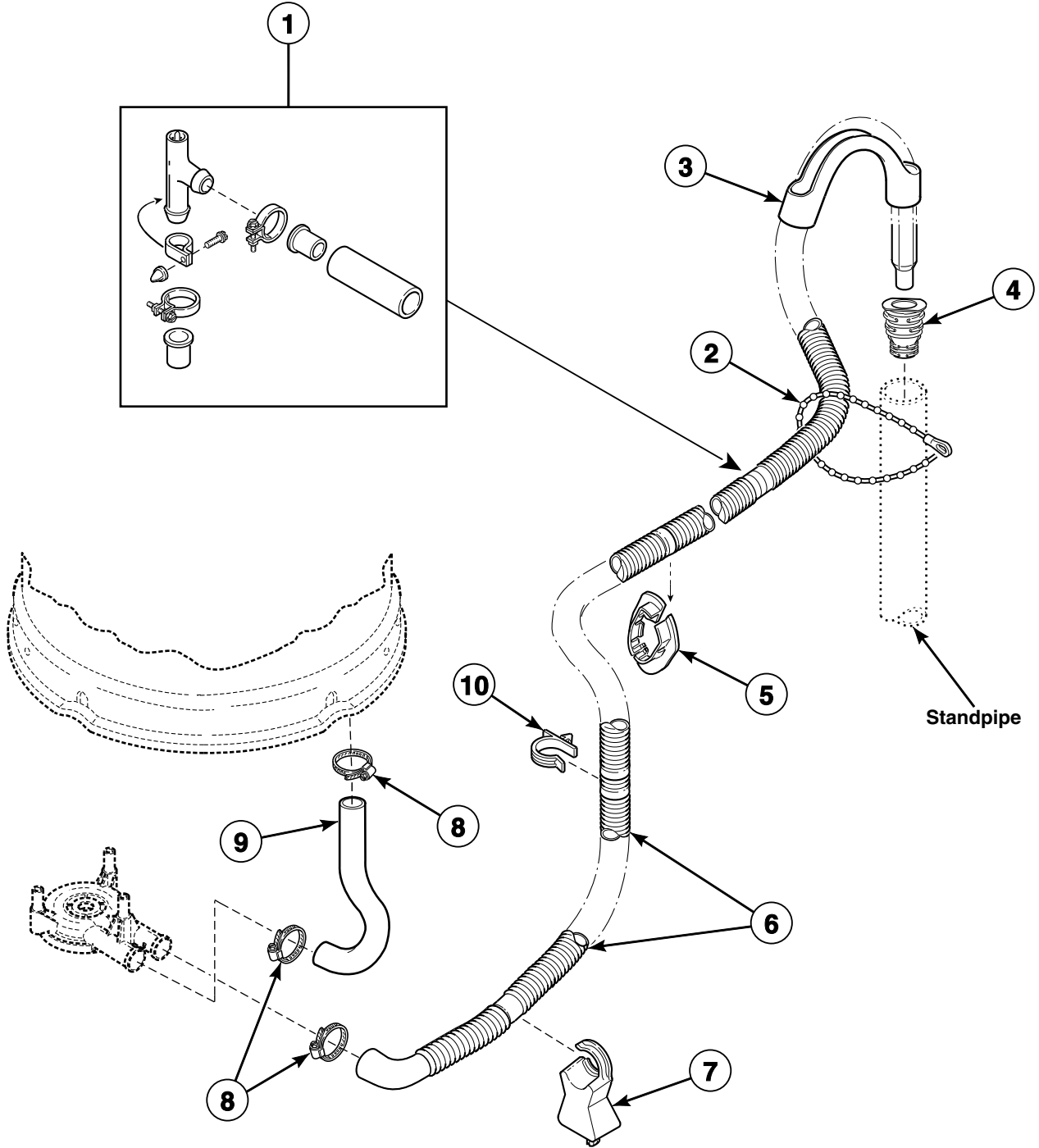


TLW1675P_201519

Outer Tub, Cover, Pressure Hose and Counterweight

REF	PART NO.	DESCRIPTION	COMMENTS
1	201430	Tub Cover and Gasket Assembly	Includes item 2
2	38359	Tub Cover Gasket	
3	204452P	Tub Assembly	
4	201521	Leg Spring	Use to replace two rear springs (closest to counterweight)
5	27926	Leg Plate	
6	35369	Screw	
7	37575	Leg Spring	
8	39566	Screw	
9	205612	Counterweight Assembly	
10	39249	Washer	
11	D500049	Warning Label	
12	29175	Grommet	
13	205241	Pressure Bulb Assembly	
14	39282	Hose Clamp	
15	36985	Hose Clip	
16	21036	Cable Clip	
17	202700	Tubing	

Drain Hose and Siphon Break Kit

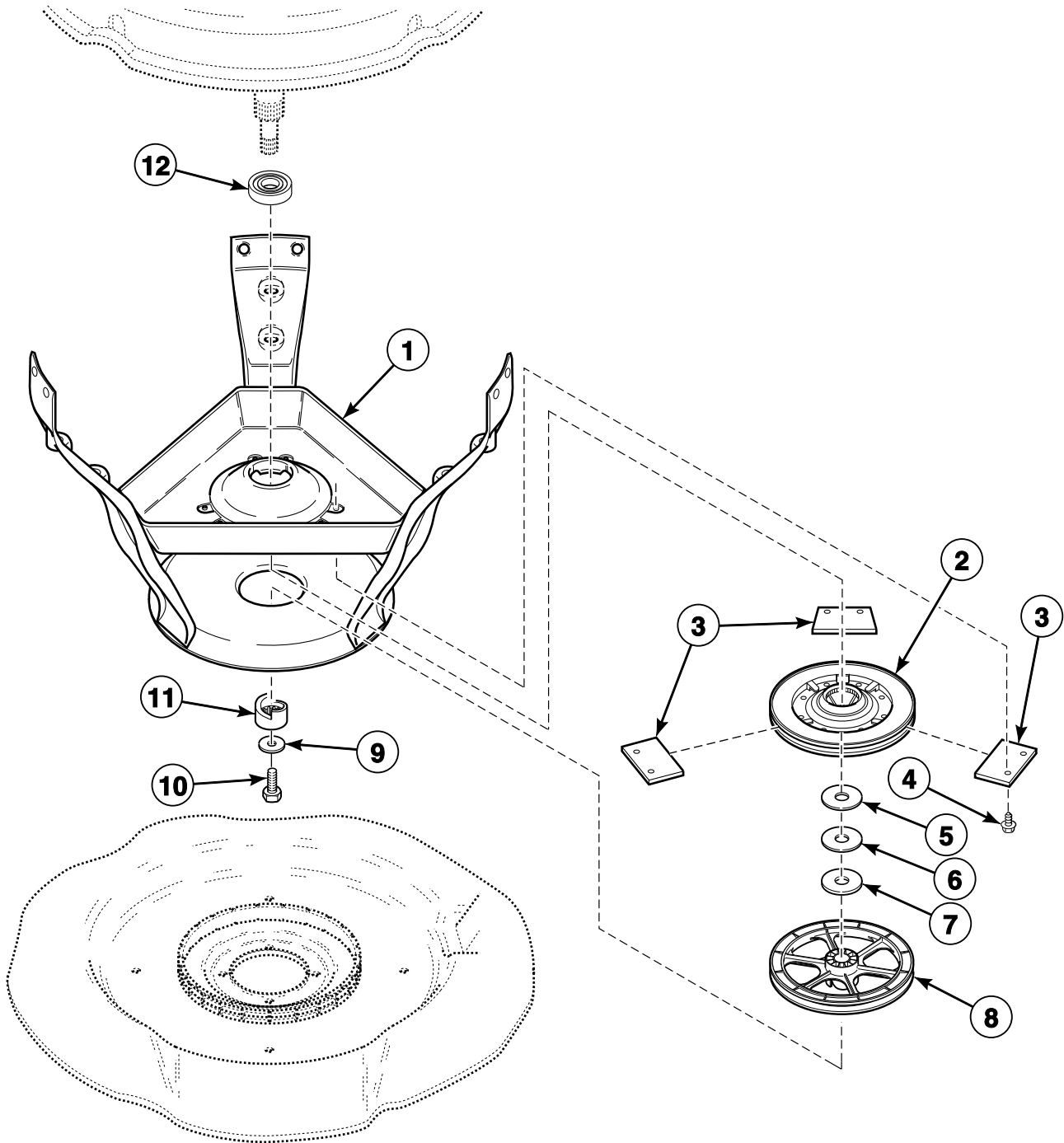


W329P_201519

Drain Hose and Siphon Break Kit

REF	PART NO.	DESCRIPTION	COMMENTS
	451P3	Drain Extension Kit	
1	562P3	Siphon Break Kit	Siphon break kit MUST be installed in drain hose if drain receptacle is lower than cabinet top of washer
2	33489	Standpipe Strap	
3	33615	Drain Hose Sleeve	
4	36878	Standpipe Adapter	Models AWN311SP111TW01, AWN402PP111TW01, AWN412SP111TW01, AWN432SP111TW01, AWN542SP111TW01, AWN542SP111TWAH, AWS17NW, AWS44NW, AWS45NW, AWS48NW, AWS51NW, AWS52NW, AWS53NW, AWS75NW and AWS76NW
5	32219	Strain Relief	
6	39893	Drain Hose	
7	38732	Hose Stand	
8	F200204	Hose Clamp	
9	38351	Tub-to-Pump Hose	
10	36014	Retainer Clip	

Weldment and Bearing Assembly, Brake and Pulley

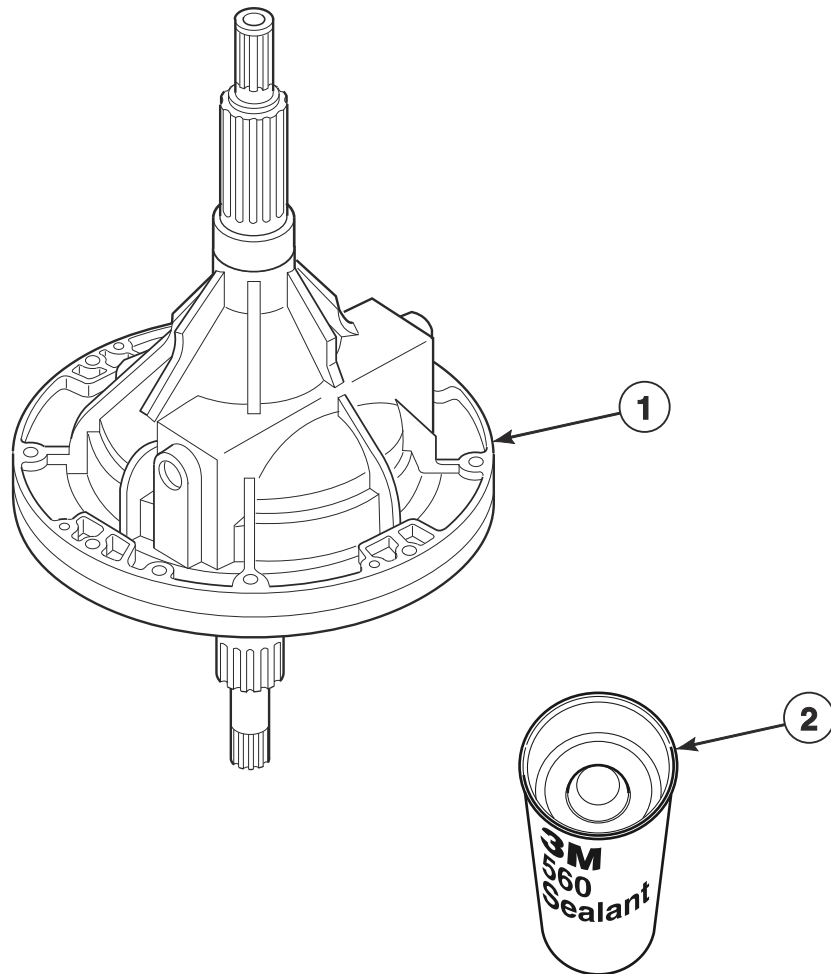


TLW1841P_201519

Weldment and Bearing Assembly, Brake and Pulley

REF	PART NO.	DESCRIPTION	COMMENTS
1	39254	Weldment and Bearing Assembly	Model AWS01NW
	39253	Weldment and Bearing Assembly	All other models
2	38505P	Brake Kit	
3	735P3	Brake Pad Kit	Includes 3 pads
	204253	Silicone Grease	Apply small amount to each new brake pad
4	39739	Screw	
5	35535	Washer	Thin
6	27015	Washer	Thick
7	35535	Washer	For machines experiencing squeaking during agitation
	204253	Silicone Grease	Apply small amount to washer
8	204486	Pulley Kit	
9	26509	Washer	
10	27220	Screw	
11	38008	Helix	
12	28944RP	Lower Bearing	

Transmission Assembly

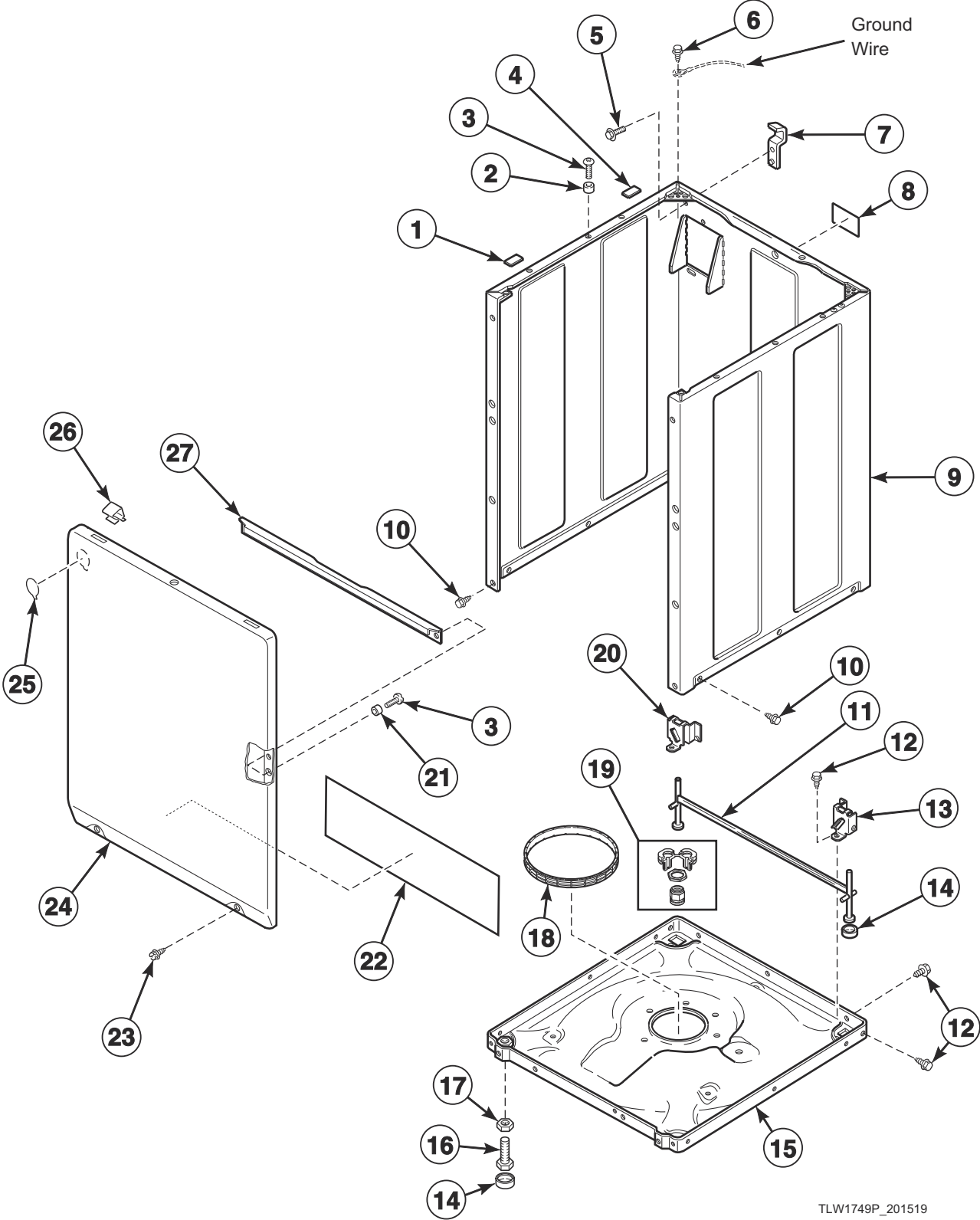


TLW1838P_201519

Transmission Assembly

REF	PART NO.	DESCRIPTION	COMMENTS
	27604P	Anti-Seize Compound	Apply to smooth area of both the upper and lower transmission tube that will be contacting the upper and lower bearings and apply to spline area of upper and lower transmission tube that will be contacting the washtub
1	38165P	Transmission Assembly	Model AWNA11SP111TW01
	203768	Transmission Assembly	All other models; Includes item 2 and Hub and Lip Seal Kit; Lip seal units only
2	200996P	Sealant	

Front Panel, Base Assembly and Cabinet Kit

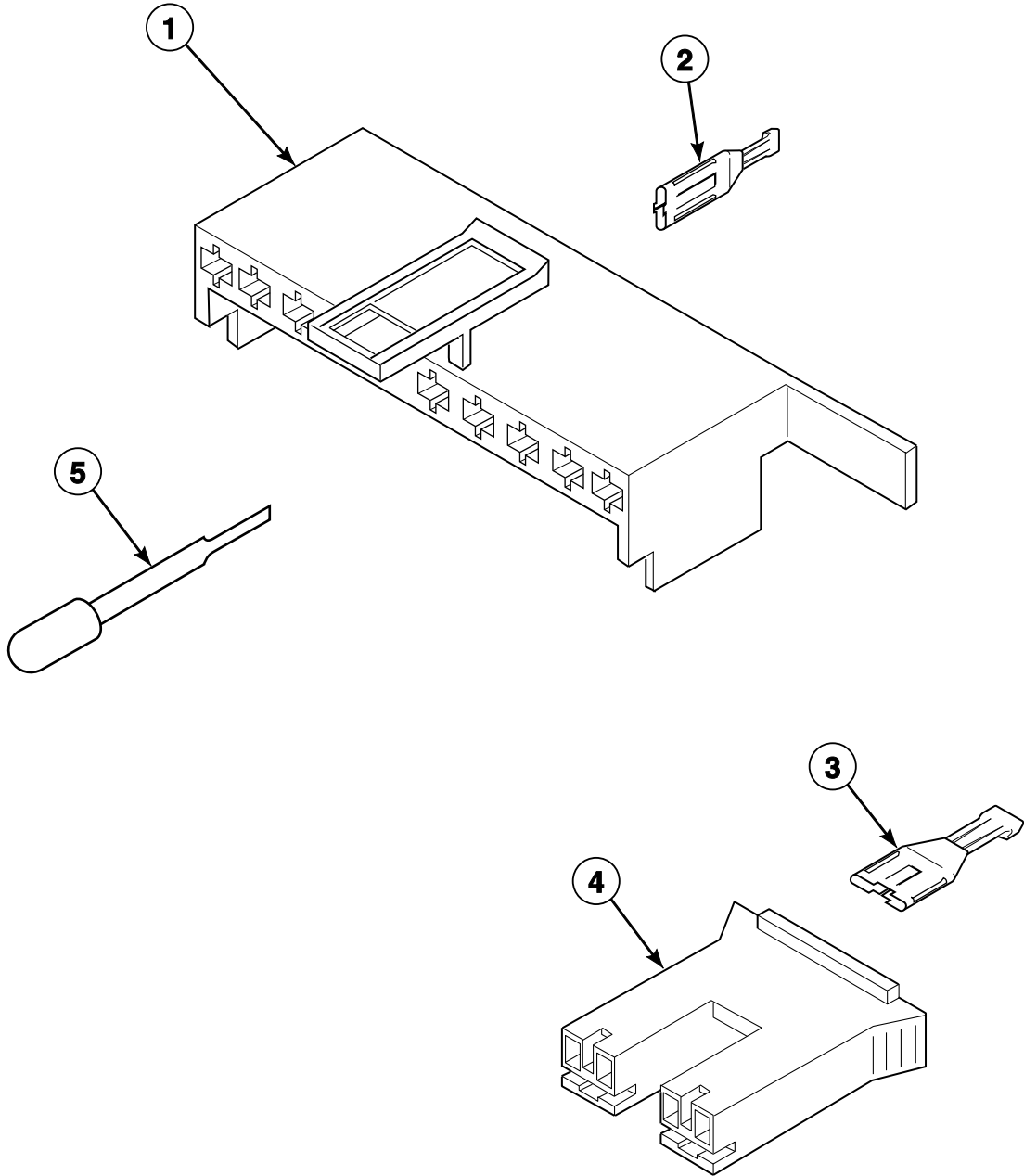


TLW1749P_201519

Front Panel, Base Assembly and Cabinet Kit

REF	PART NO.	DESCRIPTION	COMMENTS
	122P4P	Porcelain Touch-Up Paint	
1	56128	Bumper Pad	
2	56079	Panel Locator	
3	39733	Screw	
4	36226	Bumper Pad	
5	D501524	Screw	
6	D501086	Screw	
7	204155	Hold-Down Lug Hinge	
8	803260	Warning Label	
9	38612WP	Service Cabinet Kit	
10	27196	Screw	
11	34443	Leg and Stabilizer Assembly	
12	35148	Screw	
13	36036	Bracket	Right
14	34318	Rubber Foot	
15	39788	Base Assembly	
16	34319	Leveling Leg	
17	21899	Nut	
18	37937	Friction Ring	
19	566P3	Adjustable Leg Extension Kit	
20	36037	Bracket	Left
21	28102	Panel Locator	
22	204552	Front Panel Pad	
23	38272	Screw	
24	204870	Front Panel Kit	
25	201495	Sticker	Models AWS01NW, AWS17NW, AWS44NW, AWS45NW, AWS48NW, AWS51NW, AWS52NW, AWS53NW, AWS75NW and AWS76NW
26	35865	Hold-Down Clip	New style panel attachment
27	35097	Front Panel Brace	

Mixing Valve and Motor Connection Blocks, Terminals and Extractor Tool

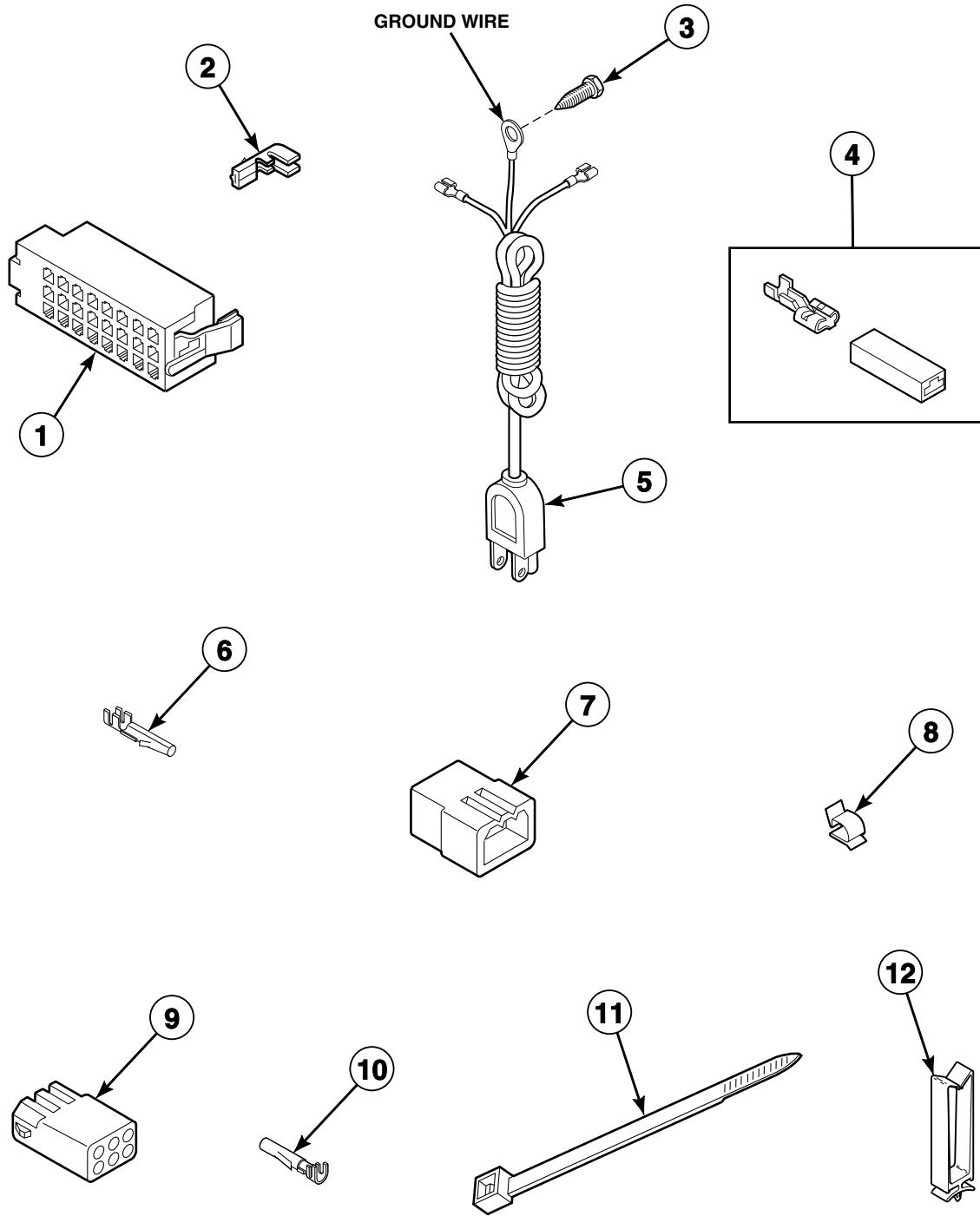


W134PZ3A_201519

Mixing Valve and Motor Connection Blocks, Terminals and Extractor Tool

REF	PART NO.	DESCRIPTION	COMMENTS
1	34677	10 Circuit Plug	Motor
2	00188	Female Terminal	For 1 or 2 wire application
3	00121	Female Spade Terminal	1/4 inch
4	34675	Mixing Valve Plug	Natural
	34676	Mixing Valve Plug	Red
5	283P4	Terminal Extractor Tool	

Lead-In Cord and Terminals

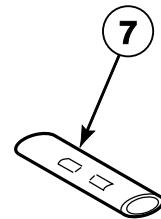
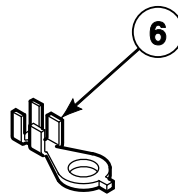
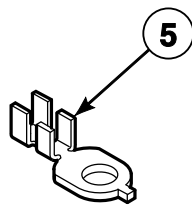
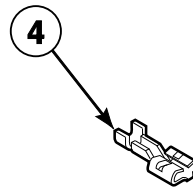
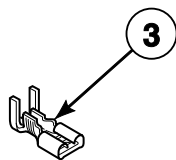
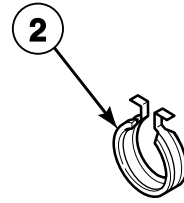
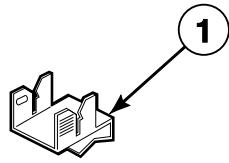


TLW1518P_201519

Lead-In Cord and Terminals

REF	PART NO.	DESCRIPTION	COMMENTS
1	32746	24 Position Housing	Right; Black
2	00188	Female Terminal	For 1 or 2 wire application
3	D503688	Screw	
4	00359	Insulated Female Spade Terminal	
5	34458	Lead-In Cord	
6	00116	Male Pin Terminal	
7	23033	9 Circuit Plug	
8	21036	Cable Clip	
9	26163	9 Circuit Receptacle	
10	00117	Female Pin Terminal	
11	55881	Harness Strap	
12	70366201	Wire Clip	

Terminals



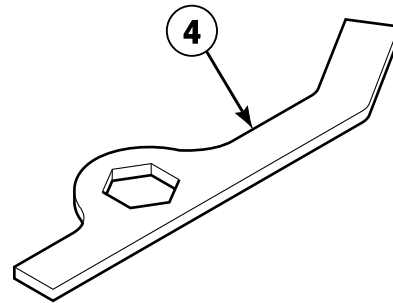
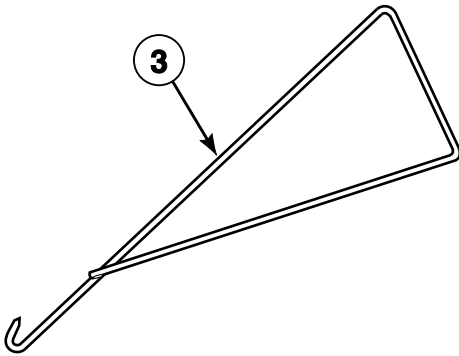
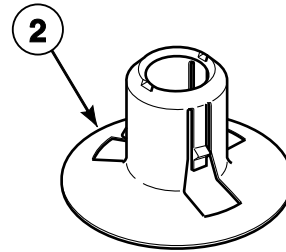
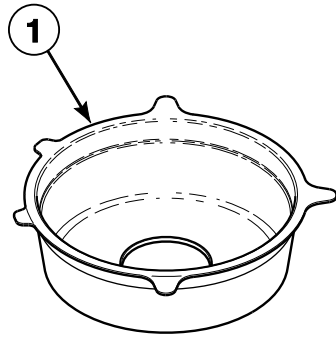
TLW1519P_201519

Terminals

REF	PART NO.	DESCRIPTION	COMMENTS
1	00161	Grounding Clip	
2	D504034	Wire Clip	
3	N/A	Female Spade Terminal	Small spade
4	00223	Female Spade Terminal	Large spade
5	N/A	Ring Terminal	1/4 inch
6	00110	Ring Terminal	Small shank
7	21091	Connector	(2) 1/4 inch male spades

N/A = Part no longer available

Shipping Brace, Plug and Special Tools

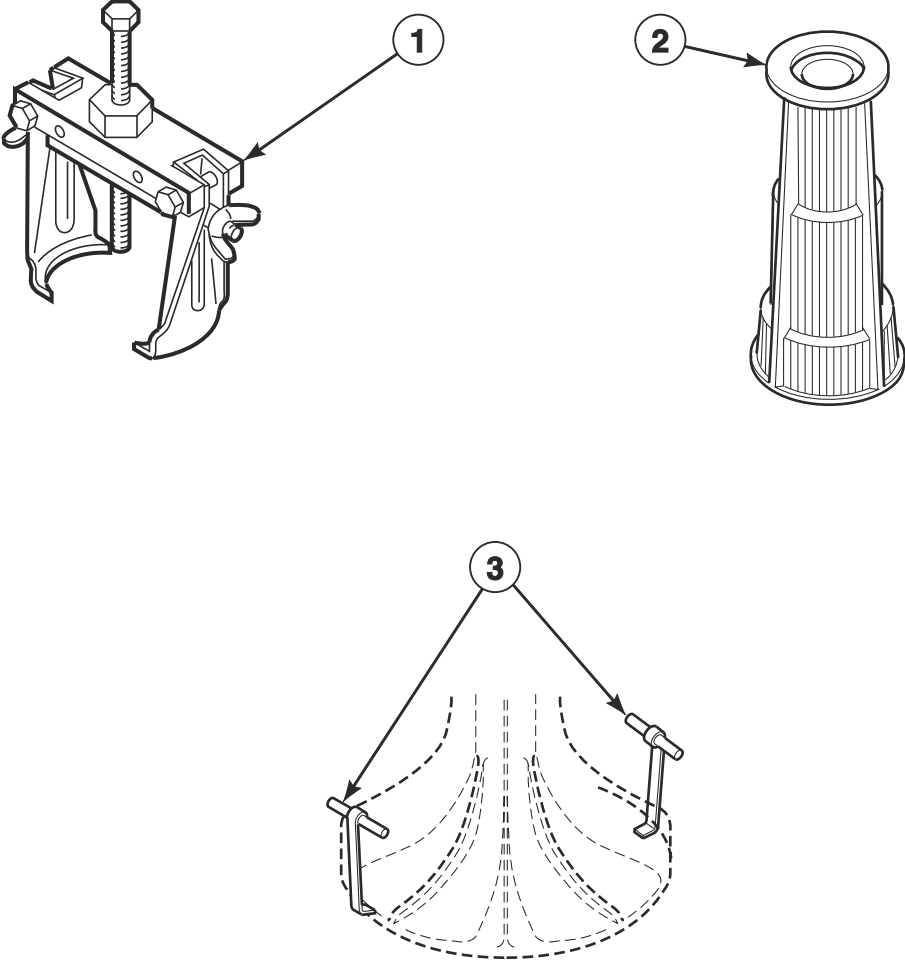


TLW1661P_201519

Shipping Brace, Plug and Special Tools

REF	PART NO.	DESCRIPTION	COMMENTS
	725P3	Tool Kit	Includes items 3, 4, drive bell seal tool, tub cover removal tool, agitator hook and torx bit
1	200553	Shipping Brace	Install whenever moving washer; Remove before use
2	38149	Shipping Plug	Install before moving washer to prevent tub from damaging cabinet
3	321P4	Spring Hook Tool	For removal of module springs from outer tub
4	306P4	Hex Wrench Tool	For removal of locknut from washtub hub

Special Tools

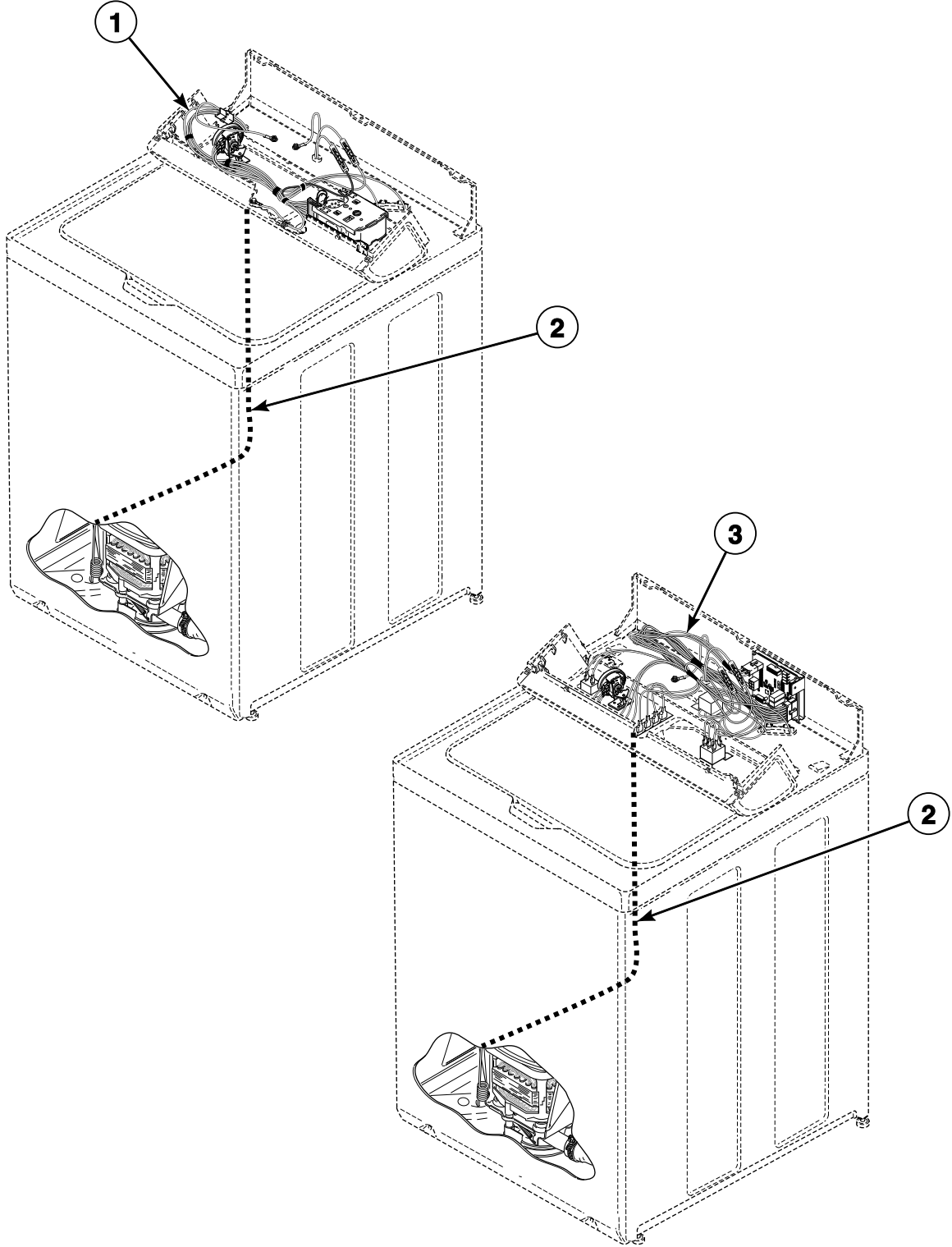


TLW1534P_201519

Special Tools

REF	PART NO.	DESCRIPTION	COMMENTS
	725P3	Tool Kit	Includes items 4, 5, spring hook, hex wrench, tub cover removal tool and Torx bit
1	294P4	Agitator Drive Bell Puller	For removal and installation of drive bell to transmission shaft
2	293P4	Drive Bell Seal Tool	For installation of 36425 Bell and Transmission Tube Seal
3	254P4P	Agitator Hook	Set of 2; Use to remove agitator from drive bell

Wire Harnesses and Wires



TLW1677P_201519

Wire Harnesses and Wires

REF	PART NO.	DESCRIPTION	COMMENTS
	45001	18 Gauge Wire	Black; Order wire by foot and terminals as required
	45380	12 Gauge Wire	Orange; Order wire by foot and terminals as required
1	38879	Hood Wire Harness Assembly	Model AWS52NW
	201491P	Harness Assembly	Hood; Model AWS48NW
	39499P	Hood Harness Assembly	Model AWS45NW
	38657P	Hood Wire Harness Assembly	Models AWN311SP111TW01, AWS01NW and AWS17NW
	201602P	Hood Wire Harness Assembly	Model AWS75NW
	201607P	Harness Assembly	Hood; Model AWS53NW
	38651	Hood Wire Harness Assembly	Models AWN402PP111TW01, AWN412SP111TW01 and AWS44NW
	201851P	Hood Wire Harness Assembly	Models AWN432SP111TW01 and AWS51NW
	201853	Hood Wire Harness Assembly	Models AWN542SP111TW01, AWN542SP111TWAH and AWS76NW
2	201328P	Base Harness Assembly	Models AWS48NW and AWS53NW
	38660P	Base Wire Harness Assembly	Models AWS45NW, AWS52NW and AWS75NW; Models AWS44NW, AWS51NW and AWS76NW through Serial Nos. beginning 0903
	38661P	Wire Harness Assembly	Base; Models AWN402PP111TW01, AWN412SP111TW01, AWN432SP111TW01, AWN542SP111TW01 and AWNA11SP111TW01; Models AWS44NW, AWS51NW and AWS76NW starting Serial Nos. beginning 0904
	38772P	Base Wire Harness Assembly	Models AWN311SP111TW01, AWS01NW and AWS17NW
3	202338	Hood Harness	Model AWNA11SP111TW01

NOTE: Individual wires are not available separately. Order complete wire harness, or order wire by the foot. When applying terminals to wires, it is recommended that the terminals be soldered to the wires.

Parts Index

A

Adjustable Leg Extension Kit 566P3	33
Agitate and Spin Belt 200923	17
38174	17
Agitator 33174	19
Agitator Cap 36515	19
Agitator Drive Bell Puller 294P4	43
Agitator Hook 254P4P	43
Anti-Seize Compound 27604P	31

B

Backflow Preventer 34500	13, 15
Balance Ring Assembly 39836	19
39837	19, 21
Base Assembly 39788	33
Base Harness Assembly 201328P	45
Base Wire Harness Assembly 38660P	45
38772P	45
Bell and Transmission Tube Seal 36425	19, 21
Bell Plug 36511	19, 21
Belt and Pump Kit RB150003	17
Bleach Dispenser 38382	11
Bracket 36036	33
36037	33
Brake Kit 38505P	29
Brake Pad Kit 735P3	29
Bumper 21685	11
Bumper Pad 36226	33
56128	33
Bushing 33446	11

C

Cable Clip 21036	23, 25, 37
Cap F8597201	13, 15
Capacitor 37377	17
Capacitor Clamp 37535	17
Connector 21091	39
Control Assembly 202320P	7
Control Knob Assembly 803119P	5, 7
804719	5
Control Panel 202440W	7
202848W	5
Control Support Panel 201654	5
38171	5, 7
38565	5
Counterweight Assembly 205612	23, 25
Cycle Switch 801240	7
Cycle Switch Bracket 801390	7

D

Disconnect Power Warning Label D505281	11
Drain Extension Kit 451P3	27
Drain Hose 39893	27
Drain Hose Sleeve 33615	27
Drive Bell and Seal Kit 39508P	19, 21
Drive Bell Seal Tool 293P4	43

E

End Panel D504008WP	5, 7
D504009WP	5, 7

F

Fabric Softener Dispenser Assembly 205225	21
--	----

N/A items do not appear in index.

Female Pin Terminal	
00117	37
Female Spade Terminal	
00121	35
00223	39
Female Terminal	
00188	35, 37
Fill Hose	
F200116	13, 15
20617	13, 15
20618	13, 15
Flex Vane Agitator	
36507	21
Friction Ring	
37937	33
Front Panel Brace	
35097	33
Front Panel Kit	
204870	33
Front Panel Pad	
204552	33

G

Graphic Panel	
201474W	5
201478W	5
201481W	5
201591W	5
201592	5
201648W	5
201655W	5
201817W	5
201835W	5
201836W	5
201837W	5
202074W	5
202075W	5
202076W	5
202112W	5
Grommet	
29175	23, 25
Grounding Clip	
00161	5, 39

H

Harness Assembly	
201491P	45
201607P	45
Harness Strap	
55881	37
Helix	
38008	29
Hex Wrench Tool	
306P4	41
Hinge Stop Clip	
36519	11
Hold-Down Clip	
205340	5
35358	7, 11
35865	33
38271	11

Hold-Down Lug Hinge	
204155	33
Hood Back Panel	
37782	11
Hood Harness	
202338	45
Hood Harness Assembly	
39499P	45
Hood Wire Harness Assembly	
201602P	45
201851P	45
201853	45
38651	45
38657P	45
38879	45
Hose Clamp	
F200204	27
36801	13, 15
39282	23, 25
Hose Clip	
36985	23, 25
Hose Stand	
38732	27
Housing, 24 Position	
32746	37
Hub and Lip Seal Kit	
766P3A	19, 21, 23

I

Idler Lever	
38011	17
Idler Lever Kit	
959P3	17
Idler Lever Spring	
202032	17
205365	17
Idler Pulley	
38225P	17
Idler Shaft	
210186	17
Indicator Light	
801356	7
Indicator Light Lens	
801435	7
Insulated Female Spade Terminal	
00359	37

K

Knob Assembly	
36701W	5
803168P	7

L

Lead-In Cord	
34458	37
Leg and Stabilizer Assembly	
34443	33

N/A items do not appear in index.

Leg Plate	
27926	23, 25
Leg Spring	
201521	25
37575	23, 25
37576	23
Leveling Leg	
34319	33
Lid	
202441W	11
37395WP	11
Lid Hinge	
36437	11
36513	11
Lid Switch Assembly	
204979	9
Lint Filter	
39371	21
Lower Bearing	
28944RP	29

M

Male Pin Terminal	
00116	37
Mixing Valve	
201304P	13
201402P	15
201468P	15
Mixing Valve Bracket	
201303	13
Mixing Valve Kit	
RB150001	15
Mixing Valve Mounting Bracket	
39407	15
Mixing Valve Plug	
34675	35
34676	35
Mixing Valve Screen	
F8161201	13, 15
24122	13, 15
Mixing Valve-to-Tub Cover Hose	
201302P	13
38155	15
Motor Assembly	
202322P	17
Motor Kit	
201615P	17
38034P	17
38036P	17
Motor Mount and Isolator Assembly	
204062	17
Motor Mount Bracket	
200941	17
Motor Mounts and Isolators Kit	
204449	17
Motor Shield	
34754	17
Motor Switch	
35632P	17

N

Nut	
M400981	9
21899	33
28803	17
29220	19, 21
52566	17
685846	17

O

Outer Tub Assembly	
203603P	23
203604P	23

P

Panel Locator	
28102	33
56079	33
Plug, 10 Circuit	
34677	35
Plug, 9 Circuit	
23033	37
Porcelain Touch-Up Paint	
122P4P	33
Pressure Bulb Assembly	
205241	23, 25
Pressure Switch	
201609P	5, 7
201927P	5
39035P	5
Pulley Kit	
204486	29
Pump Assembly Kit	
205217P	17
Push-to-Start Switch	
801434W	7

R

Rear Panel Assembly	
202319	11
Receptacle, 9 Circuit	
26163	37
Retainer Clip	
36014	27
Retaining Ring	
23748	17
Ring Terminal	
00110	39
Rocker Switch	
38424W	5
Rubber Foot	
34318	33

N/A items do not appear in index.

S

Screw

D501086	5, 7, 11, 33
D501524	7, 33
D503661	7
D503688	37
M402574	9
23962	5, 7, 9, 11
27196	33
27202	19, 21
27220	29
27229	17
31645	17
33562	11, 13, 15
34337	11
35148	33
35369	17, 23, 25
38272	33
39397	13, 15
39432	19, 21
39566	23, 25
39733	33
39739	29
52909	17

Sealant

200996P	19, 21, 23, 31
---------	----------------

Service Cabinet Kit

38612WP	33
---------	----

Shipping Brace

200553	41
--------	----

Shipping Plug

38149	41
-------	----

Silicone Grease

204253	29
--------	----

Siphon Break Kit

562P3	27
-------	----

Speed Switch

35118	5
-------	---

Spline Insert

29728	19, 21
-------	--------

Spring Clip

210202	17
--------	----

Spring Hook Tool

321P4	41
-------	----

Standpipe Adapter

36878	27
-------	----

Standpipe Strap

33489	27
-------	----

Sticker

201495	33
--------	----

Strain Relief

32219	27
-------	----

38384	11
-------	----

Switch

33445	9
-------	---

T

Temperature Control

201279P	5
---------	---

Temperature Switch

35115	5, 7
-------	------

36335	5
-------	---

Terminal Extractor Tool

283P4	35
-------	----

Timer

200927P	5
---------	---

37922P	5
--------	---

37927P	5
--------	---

38881P	5
--------	---

Timer Knob

201501W	5
---------	---

Timer Knob Assembly

202133	5
--------	---

Timer Skirt Assembly

36700W	5
--------	---

803116	5
--------	---

Tool Kit

725P3	41, 43
-------	--------

Top

37992WP	11
---------	----

Top Assembly

202326WP	11
----------	----

Top Cover

39905W	5, 7
--------	------

Transformer

201587P	7
---------	---

Transmission Assembly

203768	31
--------	----

38165P	31
--------	----

Tub Assembly

203882P	21
---------	----

204429P	19
---------	----

204451	19
--------	----

204452P	25
---------	----

Tub Cover and Gasket Assembly

201430	25
--------	----

Tub Cover Assembly

39169	23
-------	----

Tub Cover Gasket

38359	23, 25
-------	--------

Tubing

202700	23, 25
--------	--------

Tub-to-Pump Hose

38351	27
-------	----

W

Warning Label

D500049	23, 25
---------	--------

803260	33
--------	----

Washer

D504082	17
---------	----

20290	13, 15
-------	--------

26509	29
-------	----

27015	29
-------	----

28094	19, 21
-------	--------

35535	29
-------	----

37772	17
-------	----

39249	23, 25
-------	--------

52549	17
-------	----

802254	13, 15
--------	--------

803615	13, 15
--------	--------

81392	17
-------	----

Washtub Gasket

39122	19
-------	----

N/A items do not appear in index.

Washtub Kit	
719P3	21
Weldment and Bearing Assembly	
39253	29
39254	29
Wire Clip	
D504034	39
70366201	37
Wire Harness Assembly	
38661P	45
Wire, 12 Gauge	
45380	45
Wire, 18 Gauge	
45001	45
