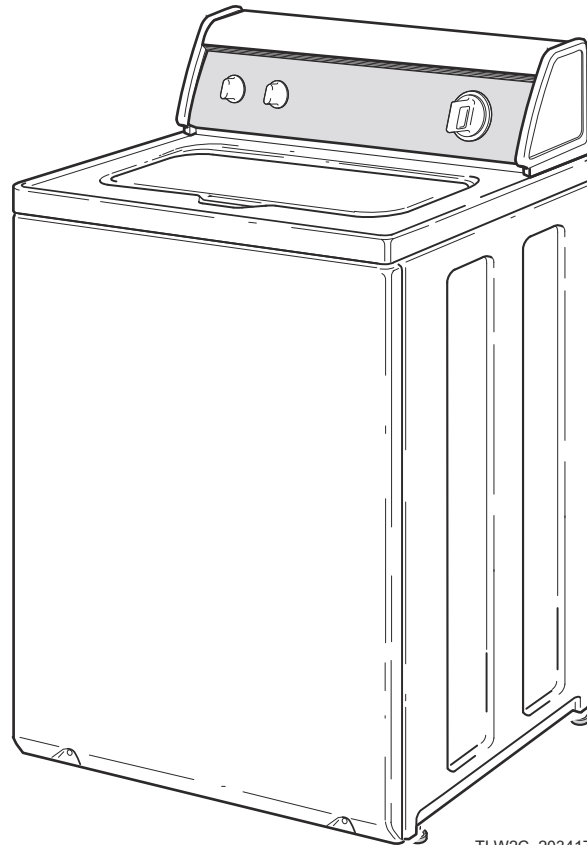


# Residential and Non-Vend Topload Washers

Refer to Page 3 for Model Numbers



TLW2C\_203417





# Table of Contents

Title	Page
Parts Ordering Information.....	2
Serial Plate Location .....	2
Model Identification .....	3
Graphic Panel, Control Support Panel and Controls (Drawing 1 of 5).....	4
Graphic Panel, Control Support Panel and Controls (Drawing 2 of 5).....	6
Graphic Panel, Control Support Panel and Controls (Drawing 3 of 5).....	8
Graphic Panel, Control Support Panel and Controls (Drawing 4 of 5).....	10
Graphic Panel, Control Support Panel and Controls (Drawing 5 of 5).....	12
Lid Switch Assembly .....	14
Top, Lid and Hood Back Panel .....	16
Junction Box .....	18
Fill Hose, Mixing Valve-to-Tub Cover Hose, Mixing Valve and Bracket.....	20
Motor, Mounting Bracket, Belt, Pump and Idler Assembly.....	22
Motor, Mounting Bracket, Belt, and Idler Assembly .....	24
Agitator, Fabric Softener Dispenser, Drive Bell, Hub and Lip Seal Kit and Washtub.....	26
Outer Tub, Cover, Bearing and Seal Housing, Pressure Hose and Counterweight.....	28
Drain Hose and Siphon Break Kit .....	30
Electric Drain Pump, Drain Hose and Siphon Break Kit (Drawing 1 of 3).....	32
Electric Drain Pump, Drain Hose and Siphon Break Kit (Drawing 2 of 3).....	34
Electric Drain Pump, Drain Hose and Siphon Break Kit (Drawing 3 of 3).....	36
Weldment and Bearing Assembly, Brake and Pulley.....	38
Transmission Assembly .....	40
Front Panel, Base Assembly and Cabinet Kit.....	42
Mixing Valve and Motor Connection Blocks, Terminals and Extractor Tool.....	44
Lead-In Cord and Terminals .....	46
Terminals .....	48
Shipping Brace, Plug and Special Tools.....	50
Special Tools .....	52
Output Board, Wire Harnesses and Wires .....	54
Wire Harnesses and Wires .....	56
Parts Index.....	59

© Copyright 2024, Alliance Laundry Systems LLC

All rights reserved. No part of the contents of this book may be reproduced or transmitted in any form or by any means without the expressed written consent of the publisher.

## Parts Ordering Information

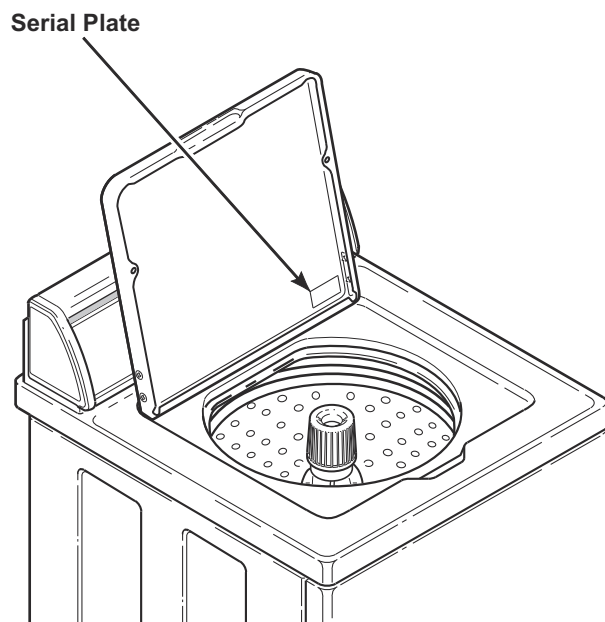
If literature or replacement parts are required, contact the source from whom the machine was purchased or contact Alliance Laundry Systems at (920) 748-3121 for the name and address of the nearest authorized parts distributor.

For technical assistance, call the number listed below:

(920) 748-3121 Ripon, Wisconsin

## Serial Plate Location

When calling or writing about your product, be sure to mention model and serial numbers. Model and serial numbers are located on serial plate(s) as shown.



W429S\_203417

## Model Identification

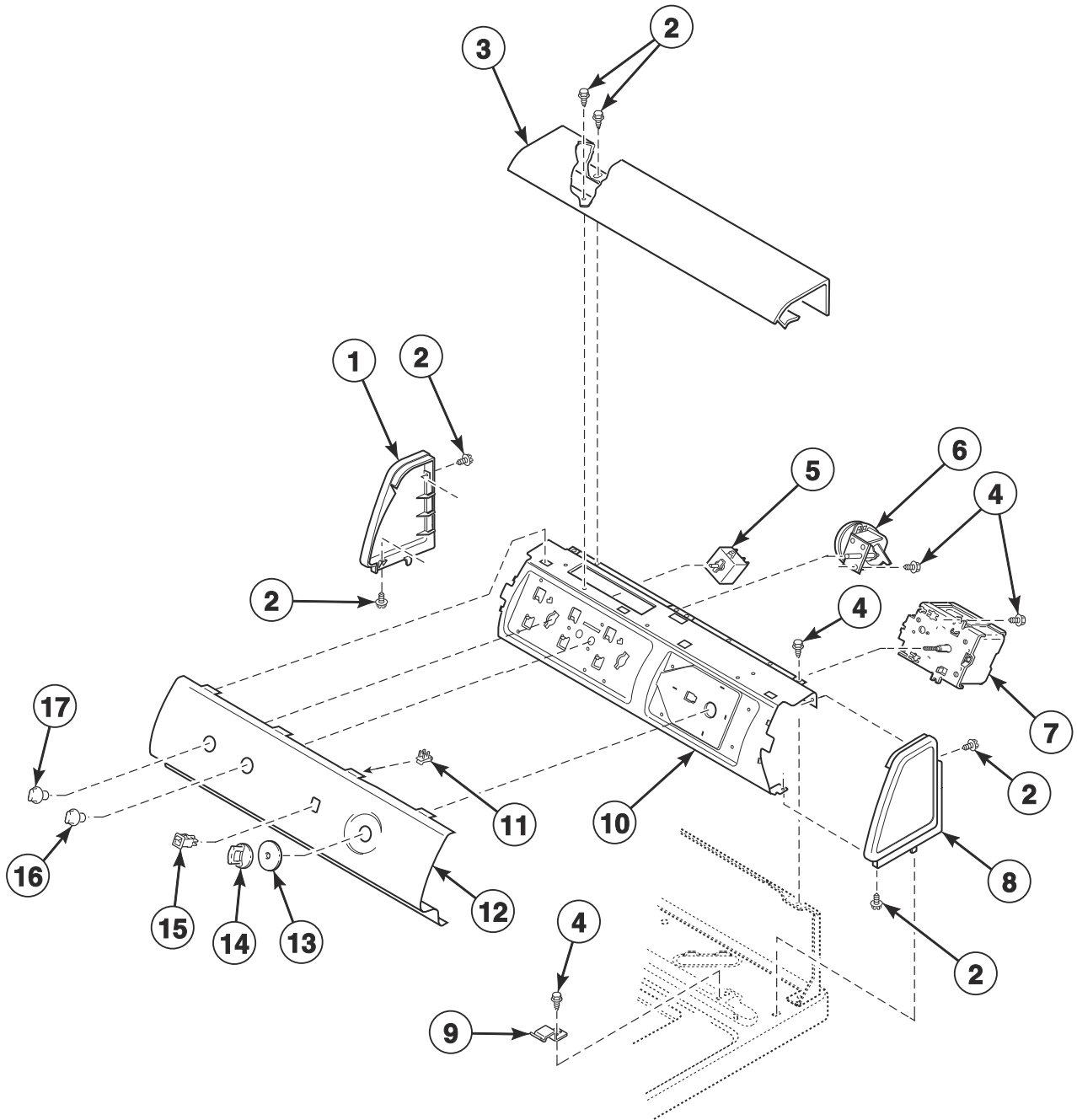
Information in this manual is applicable to these washer models:

AWN432SP113TW01  
AWN432SP113TW04  
AWNA62SN303AW01  
AWNA62SN305AW01  
AWNE82SN303AW01  
AWNE82SP113TW01  
AWNE92SN303AW01  
AWNE92SN305AB01  
AWNE92SN305AW01  
AWNE92SP113TW01

LWNA62SP303LW01  
LWNA62SP305AW01

# Graphic Panel, Control Support Panel and Controls (Drawing 1 of 5)

Models AWN432SP113TW01 and AWN432SP113TW04



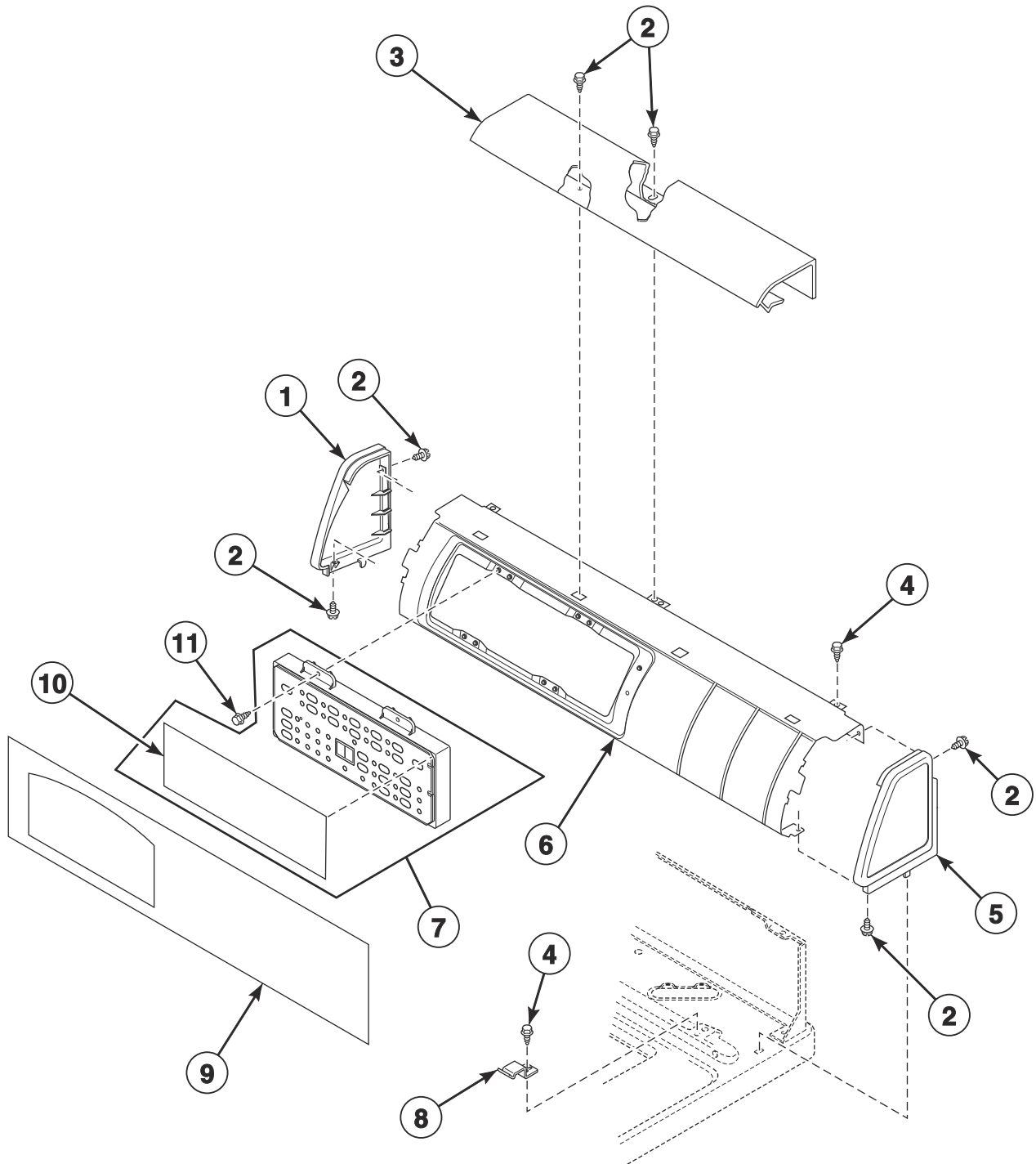
TLW1774P\_203417

## Graphic Panel, Control Support Panel and Controls (Drawing 1 of 5)

REF	PART NO.	DESCRIPTION	COMMENTS
1	D504009WP	End Panel	Left
2	D501086	Screw	
3	39905W	Top Cover	
4	23962	Screw	
5	35115	Temperature Switch	3 position
6	202937	Pressure Switch	
7	202705P	Timer	Model AWN432SP113TW01
	203387P	Timer	Model AWN432SP113TW04
8	D504008WP	End Panel	Right
9	205340	Hold-Down Clip	
10	38565	Control Support Panel	
11	00161	Grounding Clip	
12	203606W	Graphic Panel	
13	803116	Timer Skirt Assembly	
14	202133	Timer Knob Assembly	
15	38424W	Rocker Switch	
16	803118P	Knob Assembly	
17	803119P	Control Knob Assembly	

# Graphic Panel, Control Support Panel and Controls (Drawing 2 of 5)

Models AWNE82SN303AW01, AWNE82SP113TW01, AWNE92SN303AW01 and AWNE92SP113TW01



TLW1772P\_203417

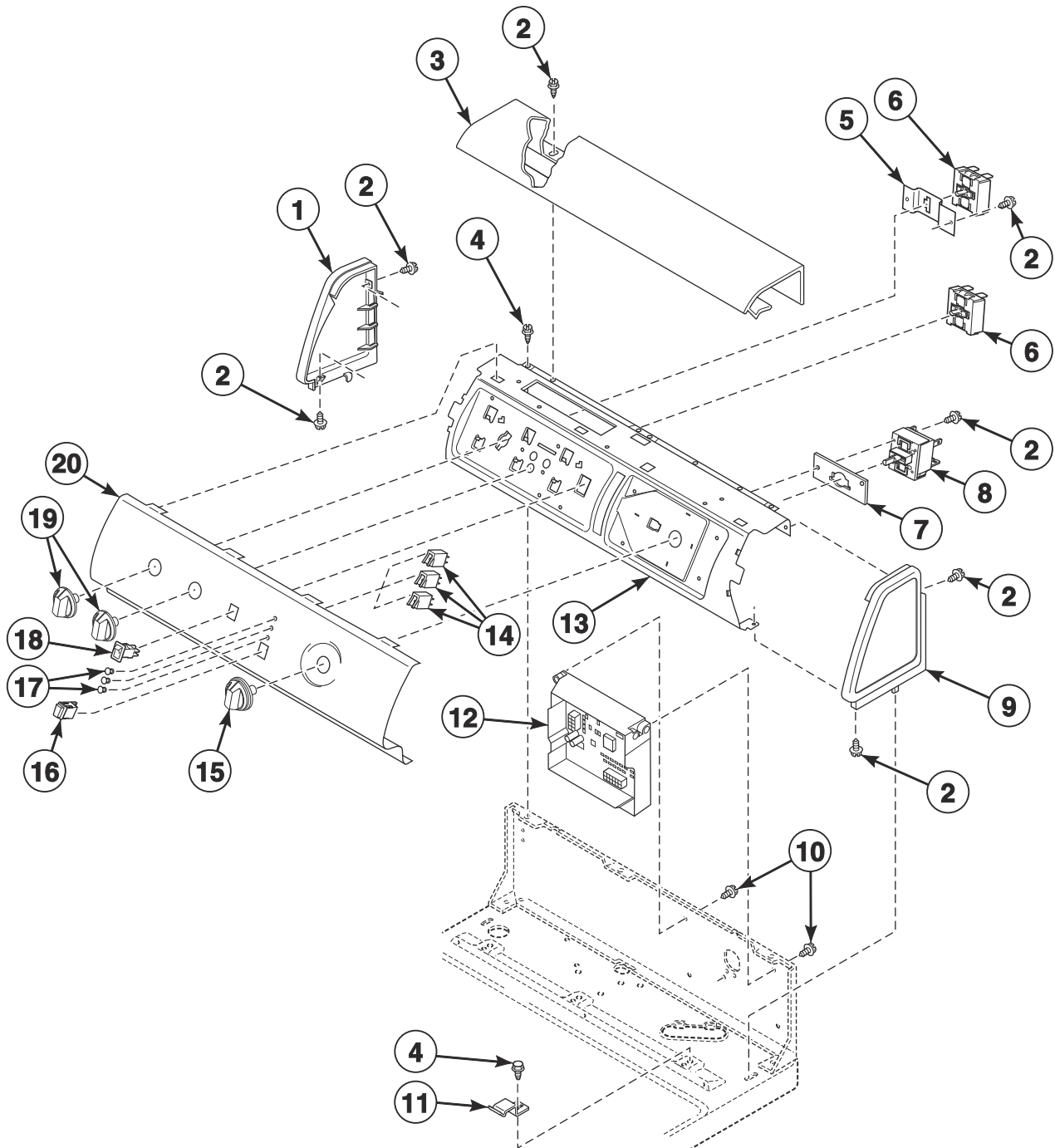


## Graphic Panel, Control Support Panel and Controls (Drawing 2 of 5)

REF	PART NO.	DESCRIPTION	COMMENTS
	203111P	EMI Filter Assembly	Models AWNE82SN303AW01 and AWNE92SN303AW01; Includes 29787 Nut, 80262 Grommet, 203068 Junction Box, 800258 Screw and 804864 Line Filter
1	D504009WP	End Panel	Left
2	D501086	Screw	
3	39905W	Top Cover	
4	23962	Screw	
5	D504008WP	End Panel	Right
6	202942	Control Support Panel	
7	202771P	Control Assembly	Model AWNE92SN303AW01; Includes item 10
	202769P	Control Assembly	Model AWNE92SP113TW01; Includes item 10
	202772P	Control Assembly	Model AWNE82SN303AW01; Includes item 10
	202770P	Control Assembly	Model AWNE82SP113TW01; Includes item 10
8	205340	Hold-Down Clip	
9	202797P	Graphic Panel	
10	202628	Overlay	Models AWNE92SN303AW01 and AWNE92SP113TW01
	202751	Control Overlay	Models AWNE82SN303AW01 and AWNE82SP113TW01
11	804667	Screw	

# Graphic Panel, Control Support Panel and Controls (Drawing 3 of 5)

Models AWNA62SN303AW01, LWNA62SP303LW01 and LWNA62SP305AW01



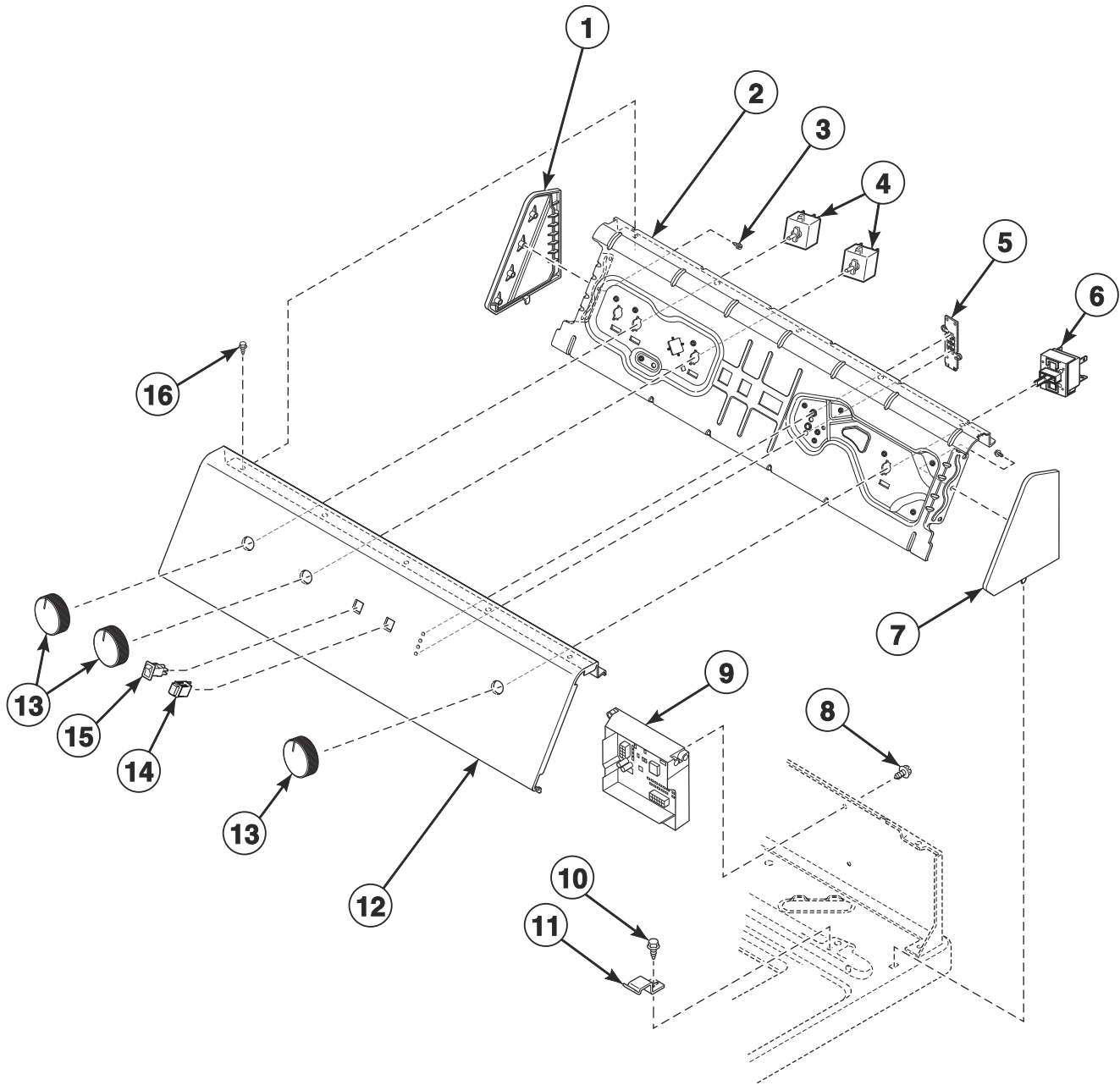
TLW1874P\_203417

## Graphic Panel, Control Support Panel and Controls (Drawing 3 of 5)

REF	PART NO.	DESCRIPTION	COMMENTS
1	D504009WP	End Panel	Left
2	D501086	Screw	
3	39905W	Top Cover	
4	23962	Screw	
5	203483	Bracket	
6	35115	Temperature Switch	3 position
7	801390	Cycle Switch Bracket	
8	801240	Cycle Switch	
9	D504008WP	End Panel	Right
10	804608	Screw	
11	205340	Hold-Down Clip	
12	202792P	Control Assembly	
13	38565	Control Support Panel	
14	801356	Indicator Light	
15	803168P	Knob Assembly	Model AWNA62SN303AW01
	D512117W	Timer Knob Assembly	Models LWNA62SP303LW01 and LWNA62SP305AW01
16	801434W	Push-to-Start Switch	
17	801435	Indicator Light Lens	
18	38424W	Rocker Switch	Model AWNA62SN303AW01
19	803119P	Control Knob Assembly	Model AWNA62SN303AW01
	36701W	Knob Assembly	Models LWNA62SP303LW01 and LWNA62SP305AW01
20	203495W	Graphic Panel	Model AWNA62SN303AW01
	204341W	Graphic Panel	Models LWNA62SP303LW01 and LWNA62SP305AW01

# Graphic Panel, Control Support Panel and Controls (Drawing 4 of 5)

Model AWWA62SN305AW01



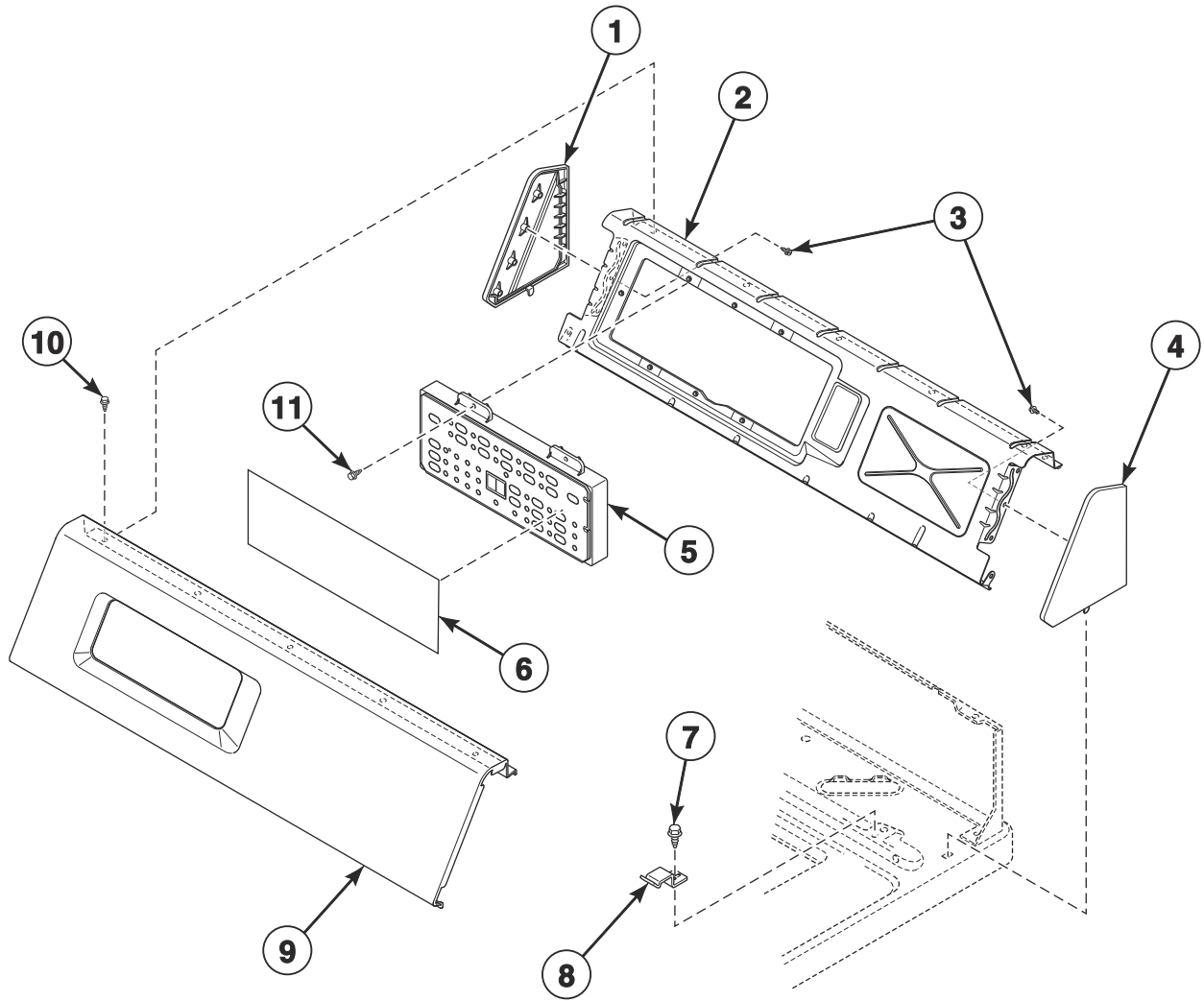
TLW1881P\_203417

## Graphic Panel, Control Support Panel and Controls (Drawing 4 of 5)

REF	PART NO.	DESCRIPTION	COMMENTS
1	203962	End Cap	Left
2	203840	Control Support Panel	
3	203799	Screw	
4	35115	Temperature Switch	
5	205130	LED Display Assembly	
6	203976	Cycle Selector Switch	
7	203961	End Cap	Right
8	804608	Screw	
9	202792P	Control Assembly	
10	23962	Screw	
11	205340	Hold-Down Clip	
12	204595	Graphic Panel	
13	204046	Knob Assembly	
14	203935	Push Button Switch	
15	203934	Rocker Switch	
16	807075	Screw	

# Graphic Panel, Control Support Panel and Controls (Drawing 5 of 5)

Models AWNE92SN305AB01 and AWNE92SN305AW01

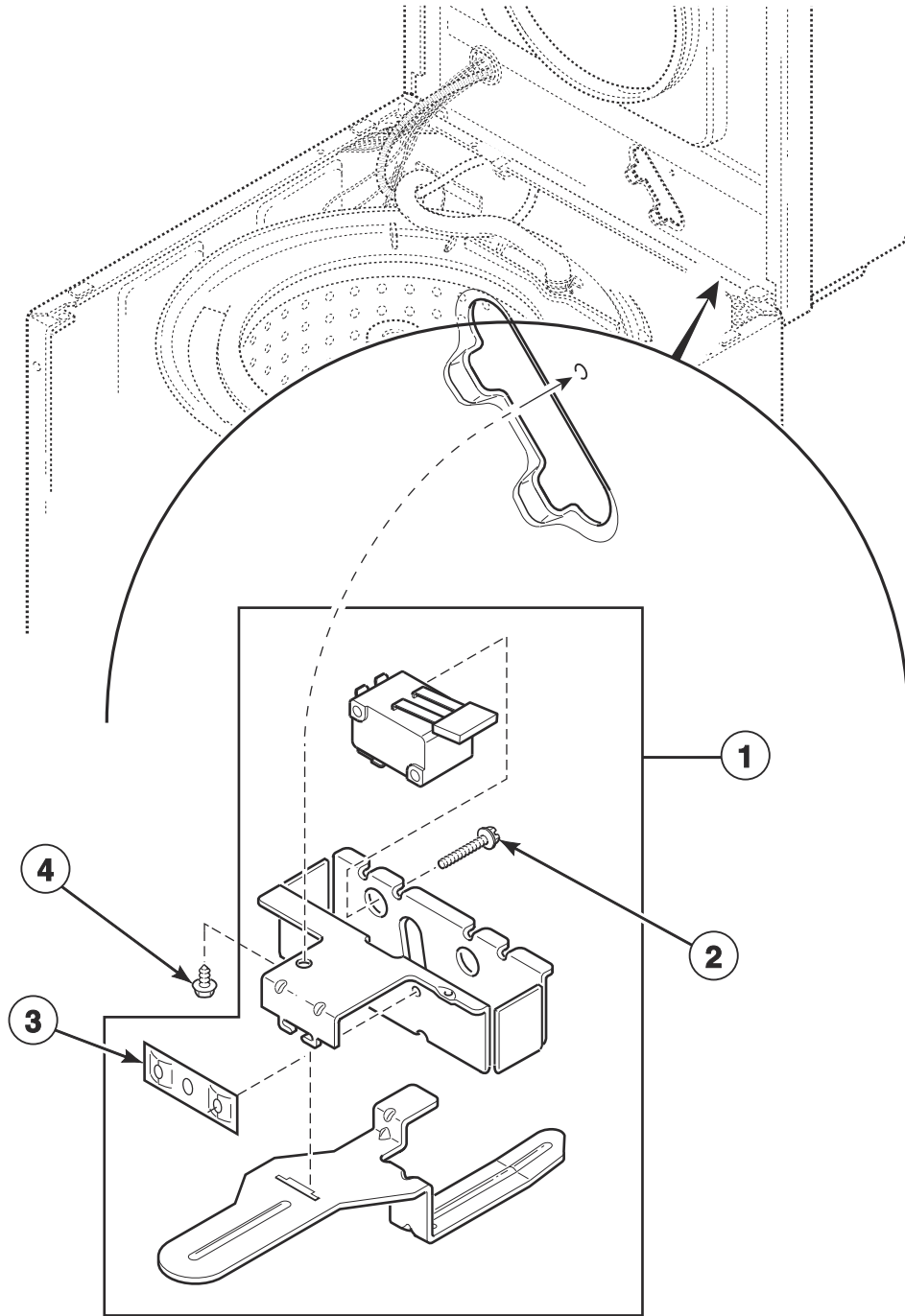


TLW1852P\_203417

## Graphic Panel, Control Support Panel and Controls (Drawing 5 of 5)

REF	PART NO.	DESCRIPTION	COMMENTS
1	203962	End Cap	Left
2	203708	Control Support Panel	
3	203799	Screw	
4	203961	End Cap	Right
5	204637	Control Assembly	Includes item 6
6	204596	Overlay	
7	23962	Screw	
8	205340	Hold-Down Clip	
9	203712	Graphic Panel	
10	807075	Screw	
11	804667	Screw	

# Lid Switch Assembly



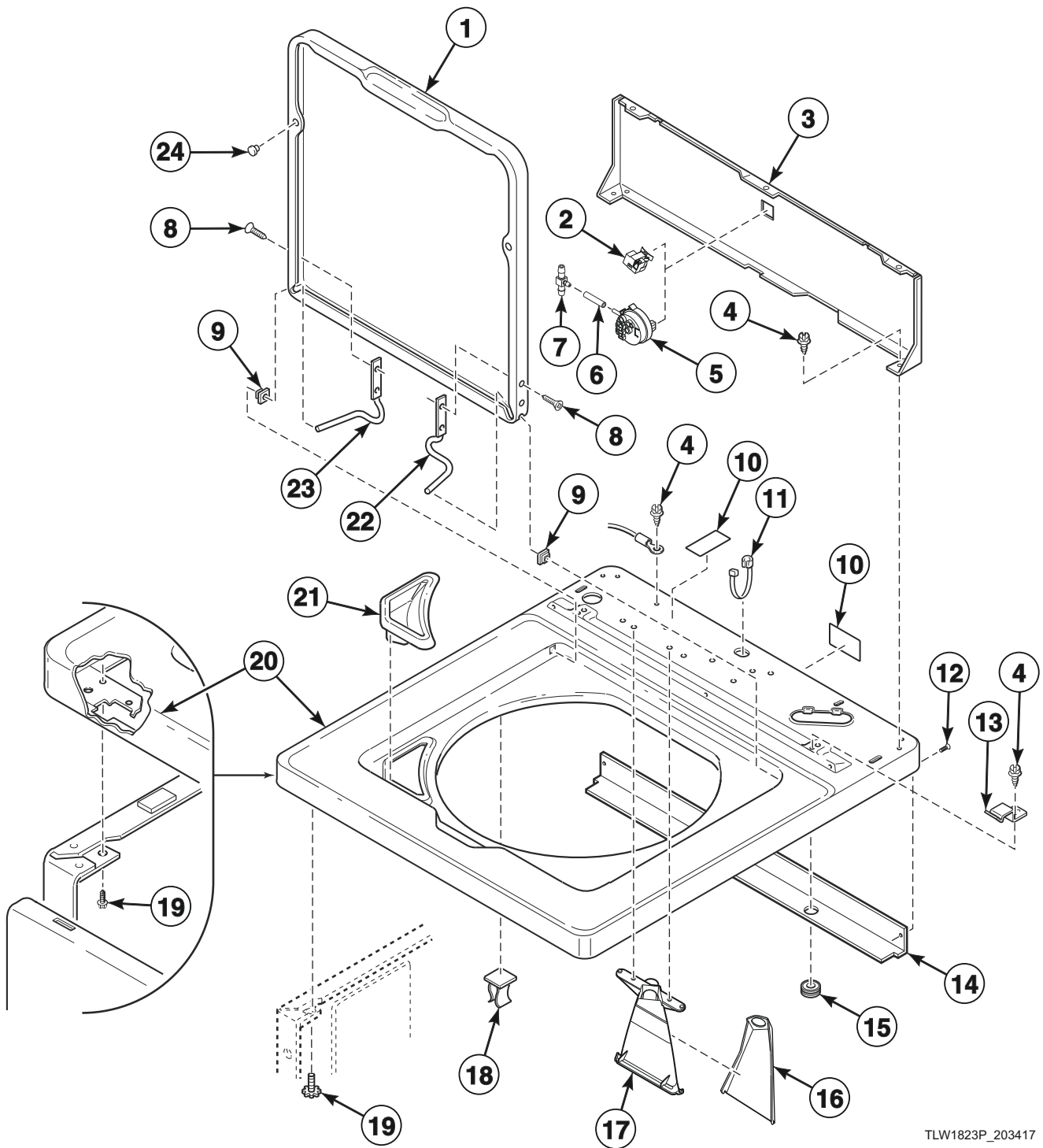
TLW1893P\_203417



# Lid Switch Assembly

REF	PART NO.	DESCRIPTION	COMMENTS
	204538	Lid Switch Shield	Models AWNA62SN303AW01, AWNA62SN305AW01, AWNE82SN303AW01, AWNE92SN303AW01, AWNE92SN305AB01, AWNE92SN305AW01, LWNA62SP303LW01 and LWNA62SP305AW01
1	204696	Lid Switch Kit	
2	M402574	Screw	Use with single switch
	204656	Screw	Use with dual switch
3	M400981	Nut	Use with single switch
	M400979	Nut	Use with dual switch
4	23962	Screw	

# Top, Lid and Hood Back Panel



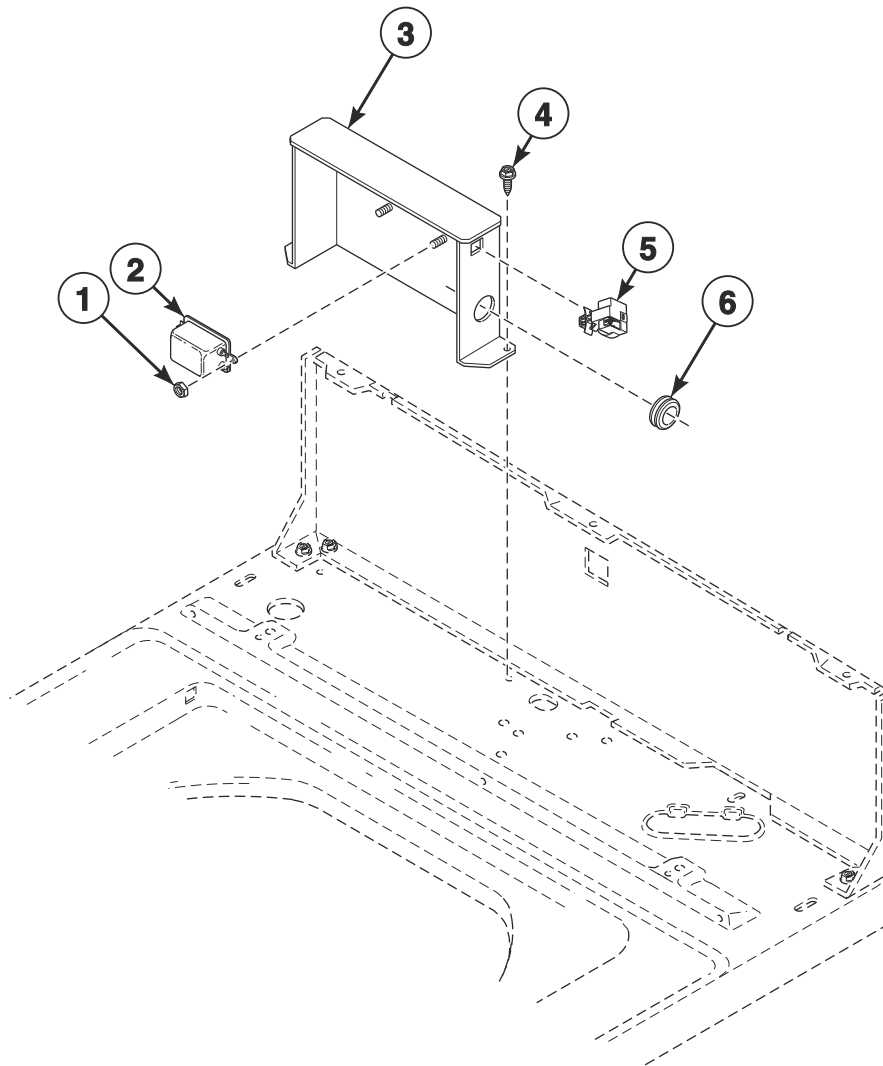
TLW1823P\_203417

## Top, Lid and Hood Back Panel

REF	PART NO.	DESCRIPTION	COMMENTS
1	37395B	Lid	Black
	37395WP	Lid	White
	205608	Lid Warning Label	
2	203843	Pressure Sensor	Models AWNE82SP113TW01, AWNE92SN305AB01, AWNE92SN305AW01 and AWNE92SP113TW01
3	203525	Hood Back Panel	Models AWNA62SN303AW01, LWNA62SP303LW01 and LWNA62SP305AW01
	203110	Hood Back Panel	Models AWNE82SN303AW01 and AWNE92SN303AW01
	37782	Hood Back Panel	Model AWN432SP113TW01
	204665	Hood Back Panel	Model AWNA62SN305AW01
	204664	Hood Back Panel	Models AWNE92SN305AB01 and AWNE92SN305AW01
	202549	Hood Back Panel	All other models
4	23962	Screw	
5	B12548401	Pressure Switch	Model AWN432SP113TW04
6	203511	Tubing	Model AWN432SP113TW04
7	203464	Barbed Tee	Model AWN432SP113TW04
8	34337	Screw	
9	33446	Bushing	
10	D505281	Disconnect Power Warning Label	
11	38384	Strain Relief	
12	431287	Screw	Models AWNA62SN303AW01, AWNA62SN305AW01, AWNE82SN303AW01, AWNE92SN303AW01, AWNE92SN305AB01, AWNE92SN305AW01, LWNA62SP303LW01 and LWNA62SP305AW01
13	205340	Hold-Down Clip	
14	203946	Top Shield	Models AWNA62SN303AW01, AWNA62SN305AW01, AWNE82SN303AW01, AWNE92SN303AW01, AWNE92SN305AB01, AWNE92SN305AW01, LWNA62SP303LW01 and LWNA62SP305AW01
15	80262	Grommet	Models AWNA62SN303AW01, AWNA62SN305AW01, AWNE82SN303AW01, AWNE92SN303AW01, AWNE92SN305AB01, AWNE92SN305AW01, LWNA62SP303LW01 and LWNA62SP305AW01
16	202894	Inlet Cover	
17	202900	Inlet Deflector	
18	36519	Hinge Stop Clip	
19	33562	Screw	
20	37992B	Top	Black
	37992WP	Top	White
21	38382	Bleach Dispenser	
22	36437	Lid Hinge	Right
23	36513	Lid Hinge	Left
24	21685	Bumper	

# Junction Box

Models AWNA62SN303AW01, AWNA62SN305AW01, AWNE82SN303AW01, AWNE92SN303AW01, AWNE92SN305AB01, AWNE92SN305AW01, LWNA62SP303LW01 and LWNA62SP305AW01

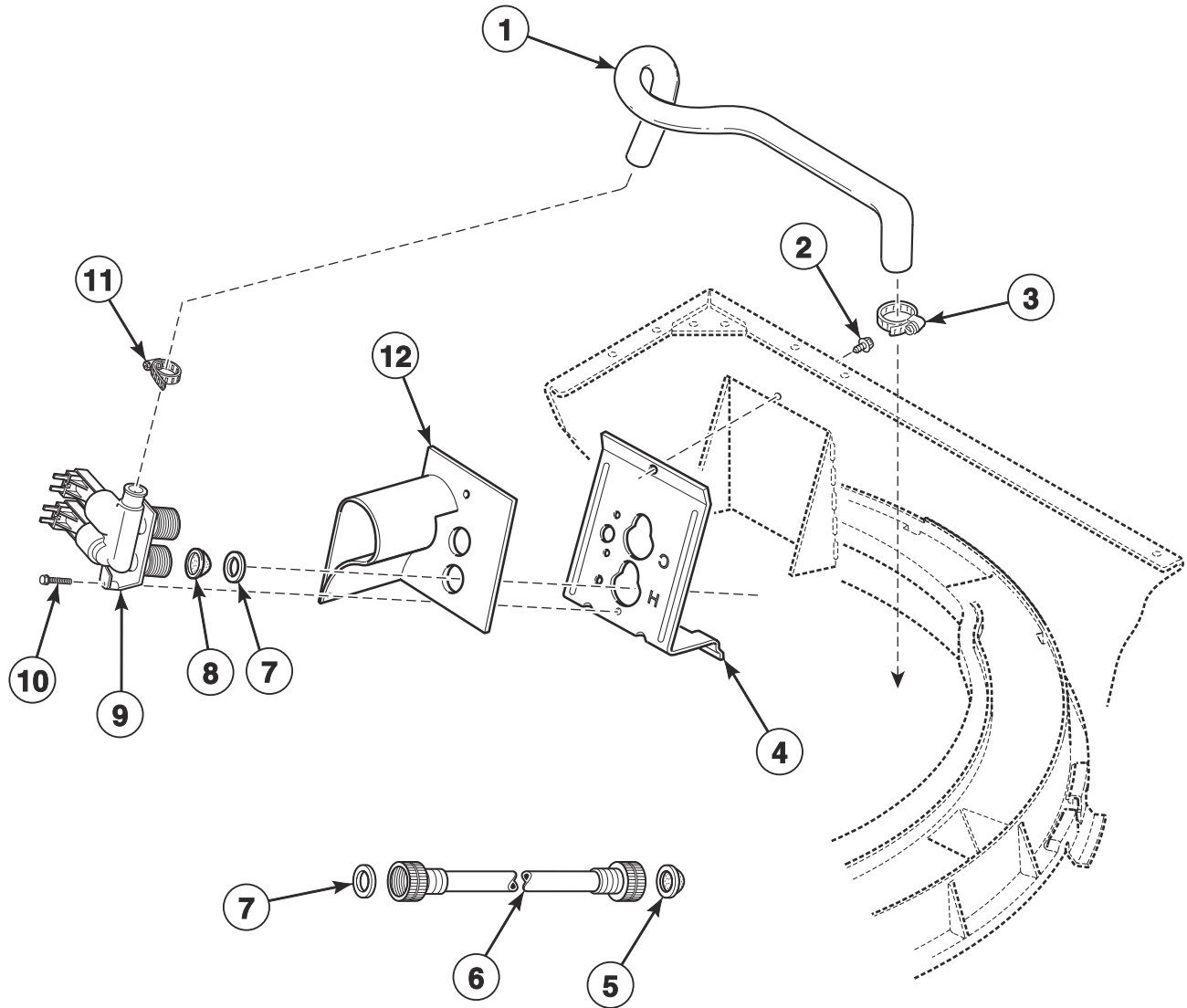


TLW1875P\_203417

# Junction Box

REF	PART NO.	DESCRIPTION	COMMENTS
	804724	Cable Tie	
<b>1</b>	29787	Nut	
<b>2</b>	804864	Line Filter	
<b>3</b>	203068	Junction Box	Models AWNA62SN303AW01, AWNE82SN303AW01, AWNE92SN303AW01, LWNA62SP303LW01 and LWNA62SP305AW01
<b>4</b>	800258	Screw	Models AWNA62SN303AW01, AWNE82SN303AW01, AWNE92SN303AW01, LWNA62SP303LW01 and LWNA62SP305AW01
<b>5</b>	203843	Pressure Sensor	Models AWNA62SN303AW01, AWNA62SN305AW01, AWNE82SN303AW01, AWNE92SN303AW01, LWNA62SP303LW01 and LWNA62SP305AW01
<b>6</b>	80262	Grommet	Models AWNA62SN303AW01, AWNE82SN303AW01, AWNE92SN303AW01, LWNA62SP303LW01 and LWNA62SP305AW01

# Fill Hose, Mixing Valve-to-Tub Cover Hose, Mixing Valve and Bracket



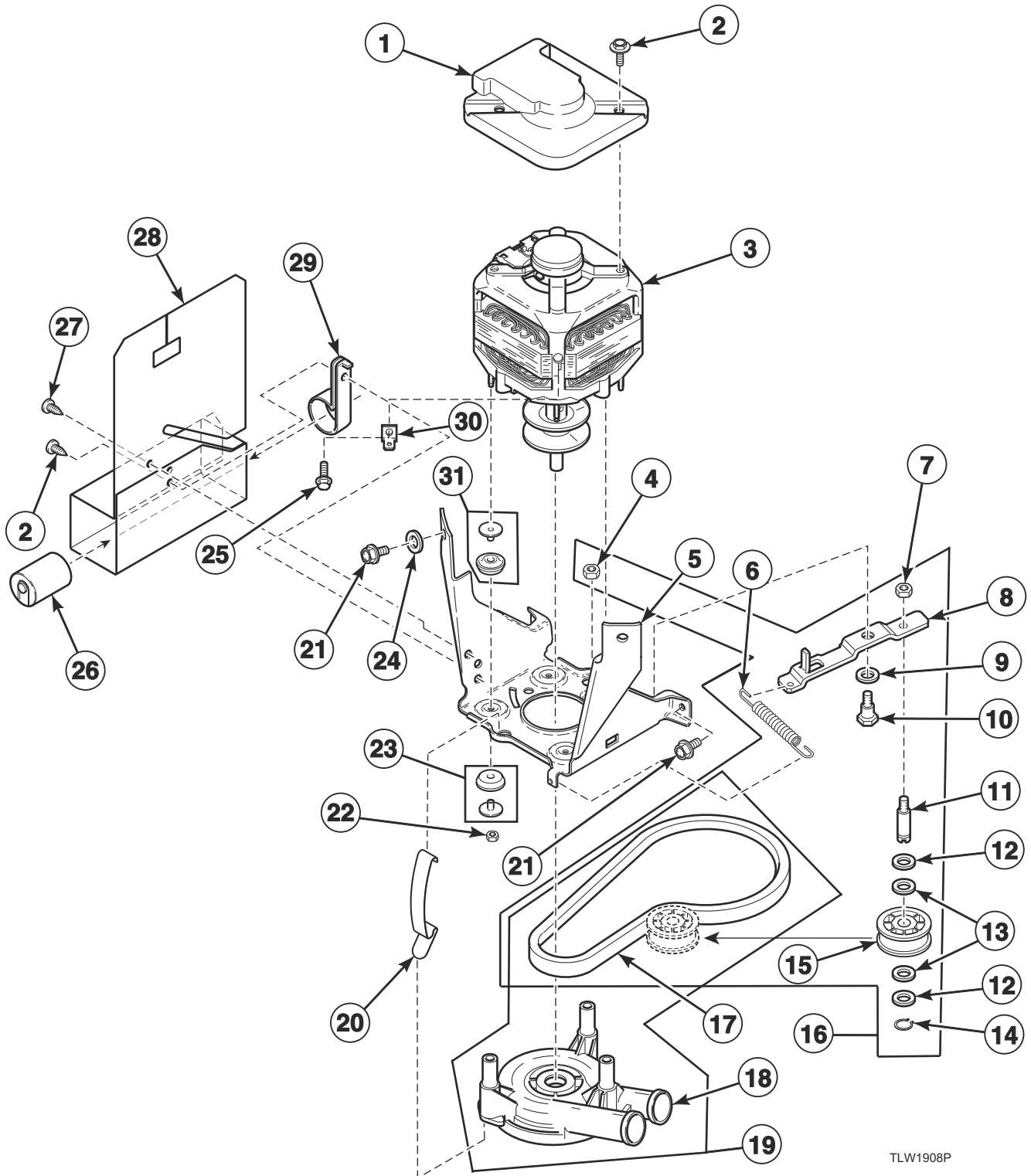
TLW1798P\_203417

## Fill Hose, Mixing Valve-to-Tub Cover Hose, Mixing Valve and Bracket

REF	PART NO.	DESCRIPTION	COMMENTS
1	202884	Valve to Inlet Hose	Models AWN432SP113TW01, AWN432SP113TW04, AWNE82SP113TW01 and AWNE92SP113TW01 through Serial No. 1812016076; All other models through Serial No. 1809999999
	204400	Valve to Inlet Hose	Models AWN432SP113TW01, AWN432SP113TW04, AWNE82SP113TW01 and AWNE92SP113TW01 starting Serial No. 1812016077; All other models starting Serial No. 1810000001
2	33562	Screw	
3	36801	Hose Clamp	
4	39407	Mixing Valve Mounting Bracket	Models AWN432SP113TW01, AWN432SP113TW04, AWNE82SP113TW01 and AWNE92SP113TW01 through Serial No. 1812016076; All other models through Serial No. 1809999999
	203558	Mixing Valve Mounting Bracket	Models AWN432SP113TW01, AWN432SP113TW04, AWNE82SP113TW01 and AWNE92SP113TW01 starting Serial No. 1812016077; All other models starting Serial No. 1810000001
5	803615	Washer	Filter screen
	802254	Washer	Flow restrictor; Water pressure reducer; Available for water pressure up to but not exceeding 120 psi
6	F200116	Fill Hose	5 feet; GHT thread hose coupling
	204108	Fill Hose	10 feet; BSPP thread hose coupling
	203720	Fill Hose	Marked for cold water; 4 feet; 2 GHT thread hose couplings
	203719	Fill Hose	Marked for hot water; 4 feet; 2 GHT thread hose couplings
	203750	Fill Hose	Marked for cold water; 4 feet; 1 BSPP thread hose coupling and 1 GHT thread hose coupling
	203718	Fill Hose	Marked for hot water; 4 feet; 1 BSPP thread hose coupling and 1 GHT thread hose coupling
	204103	Fill Hose	Marked for cold water; 4 feet; 2 BSPP thread hose couplings and 1 GHT thread hose coupling
	204102	Fill Hose	Marked for hot water; 4 feet; 2 BSPP thread hose couplings and 1 GHT thread hose coupling
7	20290	Washer	
8	24122	Mixing Valve Screen	Steel mesh
	F8161201	Mixing Valve Screen	Plastic
9	202396P	Mixing Valve	Models AWNA62SN303AW01, AWNA62SN305AW01, AWNE82SN303AW01, AWNE92SN303AW01, AWNE92SN305AW01, LWNA62SP303LW01 and LWNA62SP305AW01 through Serial No. 1809999999
	203928	Mixing Valve	Models AWNA62SN303AW01, AWNA62SN305AW01, AWNE82SN303AW01, AWNE92SN303AW01, AWNE92SN305AB01, AWNE92SN305AW01, LWNA62SP303LW01 and LWNA62SP305AW01 starting Serial No. 1810000001
	202395P	Mixing Valve	All other models through Serial No. 1812016076
	203741	Mixing Valve	All other models starting Serial No. 1812016077
10	39397	Screw	
11	36801	Hose Clamp	
12	202899	Mixing Valve Shield	Models AWNA62SN303AW01, AWNA62SN305AW01, AWNE82SN303AW01, AWNE92SN303AW01, AWNE92SN305AB01, AWNE92SN305AW01, LWNA62SP303LW01 and LWNA62SP305AW01

# Motor, Mounting Bracket, Belt, Pump and Idler Assembly

Models AWN432SP113TW01, AWN432SP113TW04, AWNE82SP113TW01, AWNE92SP113TW01, LWNA62SP303LW01 and LWNA62SP305AW01



TLW1908P

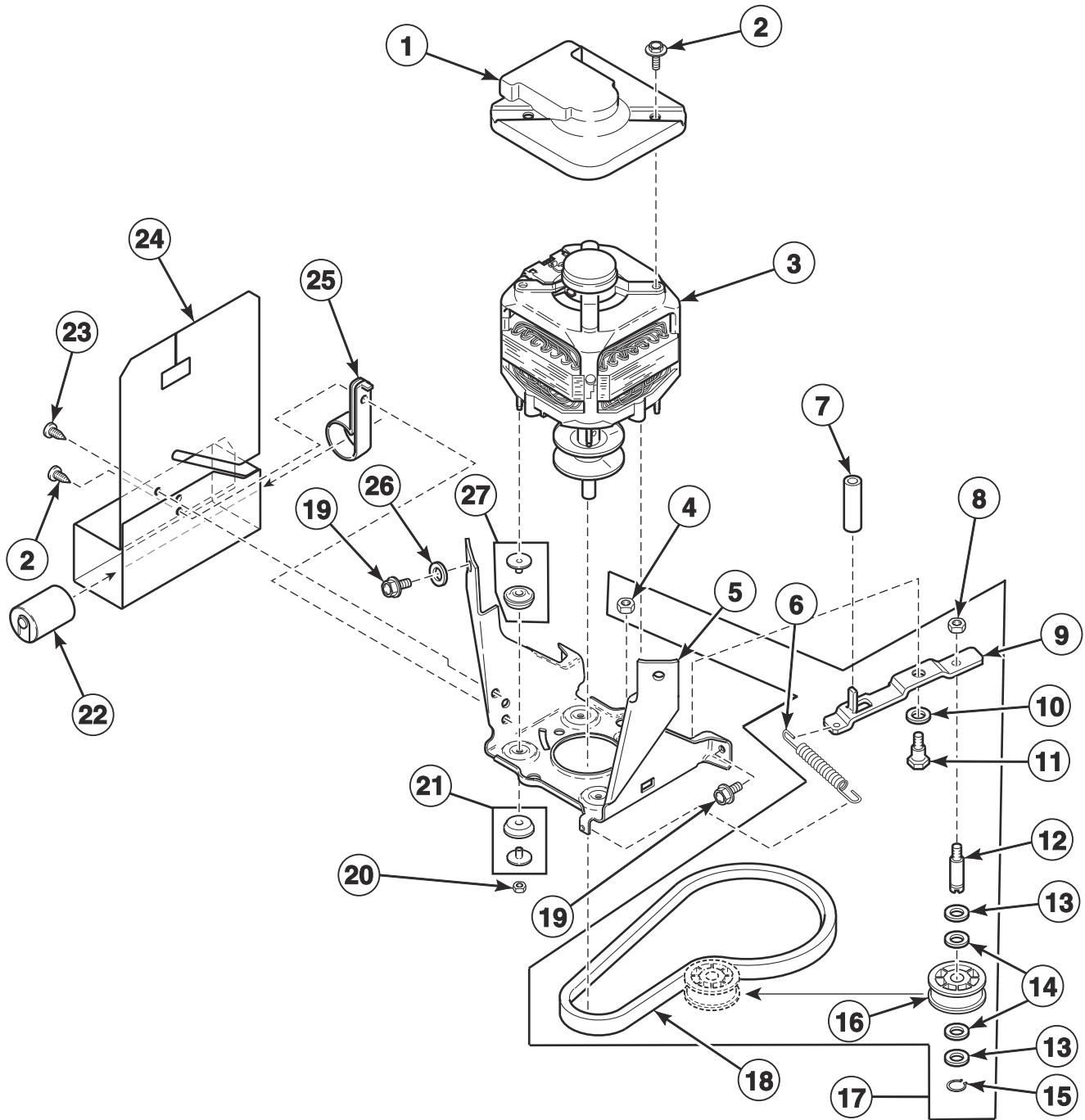


# Motor, Mounting Bracket, Belt, Pump and Idler Assembly

REF	PART NO.	DESCRIPTION	COMMENTS
1	34754	Motor Shield	
2	31645	Screw	
3	202544P	Motor Assembly	Models LWNA62SP303LW01 and LWNA62SP305AW01; 2 Speed; 240 Volt/50 Hertz
	38034P	Motor Kit	All other models; Includes 37377 Capacitor
4	52566	Nut	
5	200941	Motor Mount Bracket	
6	201189	Idler Lever Spring	Models LWNA62SP303LW01 and LWNA62SP305AW01
	202032	Idler Lever Spring	All other models
7	28803	Nut	
8	38011	Idler Lever	
	202333	Tube	Models LWNA62SP303LW01 and LWNA62SP305AW01
9	81392	Washer	
10	27229	Screw	
11	210186	Idler Shaft	
12	D504082	Washer	
13	52549	Washer	Nylatron
14	23748	Retaining Ring	
15	38225P	Idler Pulley	
16	202972	Idler Lever and Belt Kit	Models LWNA62SP303LW01 and LWNA62SP305AW01; Includes items 4, 6, 7-15 and 17
	959P3	Idler Lever Kit	All other models; Includes items 4, 6, 7-15 and 17
17	200923	Agitate and Spin Belt	Models LWNA62SP303LW01 and LWNA62SP305AW01
	38174	Agitate and Spin Belt	All other models
18	205217P	Pump Assembly Kit	
19	RB150003	Belt and Pump Kit	Includes items 17 and 18; All models except LWNA62SP303LW01 and LWNA62SP305AW01
20	210202	Spring Clip	
21	35369	Screw	
22	35423	Nut	
23	204062	Motor Mount and Isolator Assembly	Lower
24	37772	Washer	
25	20530	Screw	
26	203140	Capacitor	Models LWNA62SP303LW01 and LWNA62SP305AW01
	37377	Capacitor	All other models
27	52909	Screw	
28	203053	Motor Drip Shield	Through Serial No. 181100001
29	37535	Capacitor Clamp	
30	00177	Male Tab Terminal	
31	204063	Motor Mount and Isolator Assembly	Upper

# Motor, Mounting Bracket, Belt, and Idler Assembly

Models AWNA62SN303AW01, AWNA62SN305AW01, AWNE82SN303AW01, AWNE92SN303AW01, AWNE92SN305AB01 and AWNE92SN305AW01

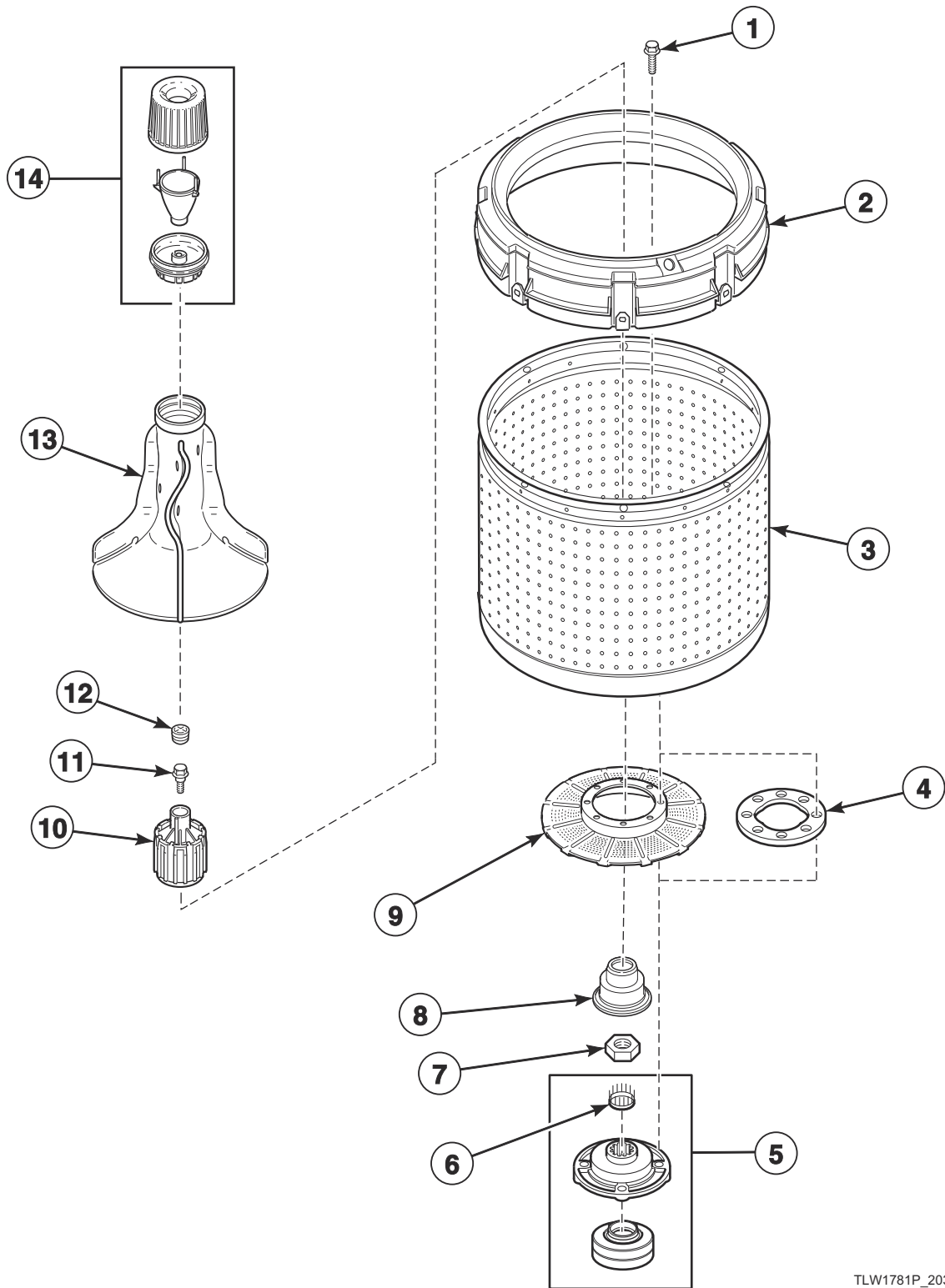


TLW1820P

## Motor, Mounting Bracket, Belt, and Idler Assembly

REF	PART NO.	DESCRIPTION	COMMENTS
1	34754	Motor Shield	
2	31645	Screw	
3	202544P	Motor Assembly	2 speed; 240Volt/50 Hertz
4	52566	Nut	
5	200941	Motor Mount Bracket	
6	202032	Idler Lever Spring	Models AWNA62SN305AW01, AWNE92SN305AB01 and AWNE92SN305AW01
	201189	Idler Lever Spring	All other models
7	202333	Tube	
8	28803	Nut	
9	38011	Idler Lever	
10	81392	Washer	
11	27229	Screw	
12	210186	Idler Shaft	
13	D504082	Washer	
14	52549	Washer	Nylatron
15	23748	Retaining Ring	
16	38225P	Idler Pulley	
17	202972	Idler Lever and Belt Kit	Includes items 4, 6, 8-16 and 18
18	200923	Agitate and Spin Belt	
19	35369	Screw	
20	35423	Nut	
21	204062	Motor Mount and Isolator Assembly	Lower
22	203140	Capacitor	
23	52909	Screw	
24	203053	Motor Drip Shield	Through Serial No. 1811000001
25	37535	Capacitor Clamp	
26	37772	Washer	
27	204063	Motor Mount and Isolator Assembly	Upper

# Agitator, Fabric Softener Dispenser, Drive Bell, Hub and Lip Seal Kit and Washtub

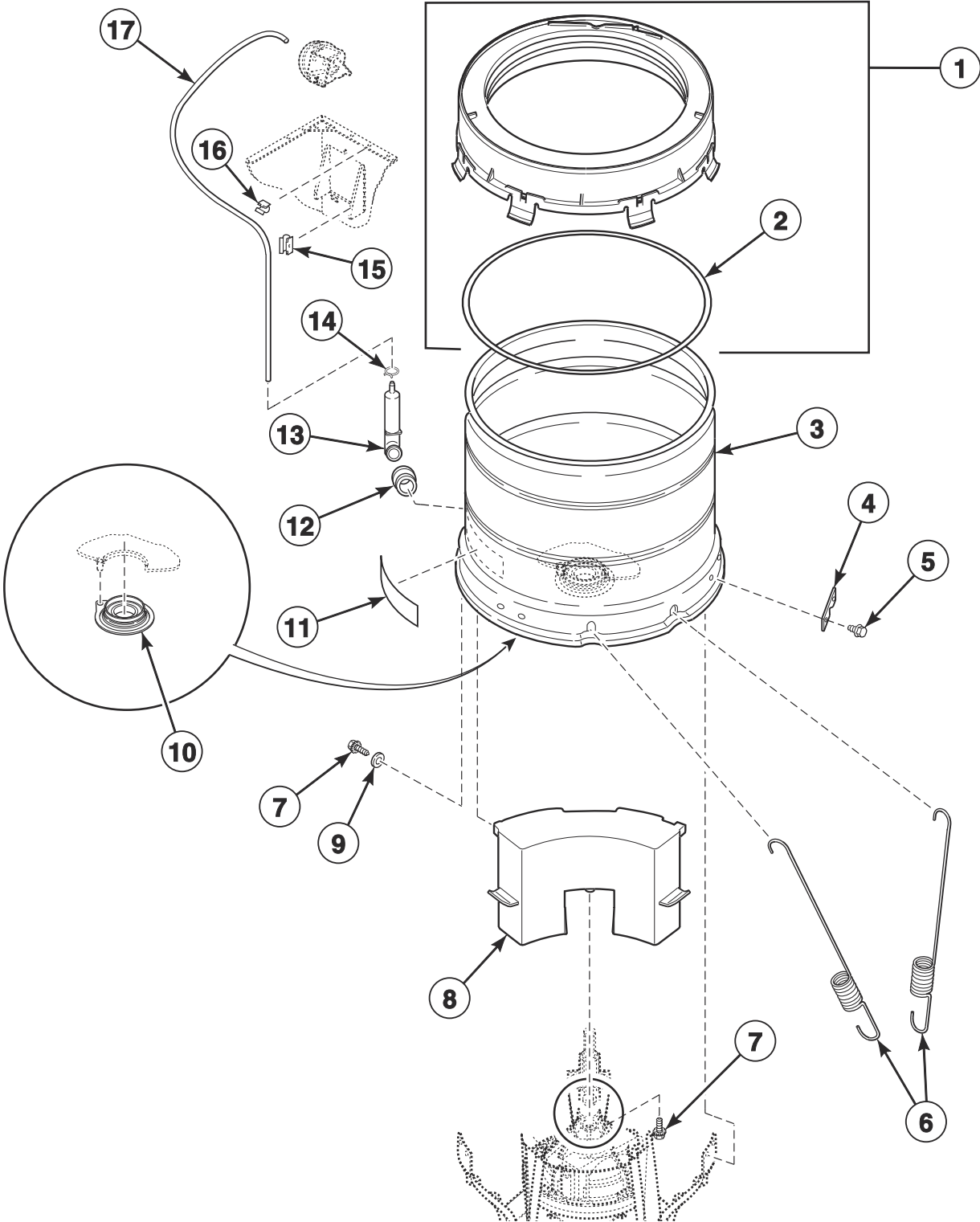


TLW1781P\_203417

## Agitator, Fabric Softener Dispenser, Drive Bell, Hub and Lip Seal Kit and Washtub

REF	PART NO.	DESCRIPTION	COMMENTS
1	27202	Screw	
2	39837	Balance Ring Assembly	
3	719P3	Washtub Kit	Stainless steel
4	39122	Washtub Gasket	
5	766P3A	Hub and Lip Seal Kit	<b>DO NOT</b> use any sealant other than 200996P Sealant; Includes installation tool
	200996P	Sealant	Use with hub and lip seal kit
6	29728	Spline Insert	
7	29220	Nut	
8	36425	Bell and Transmission Tube Seal	
9	39371	Lint Filter	Models AWNE92SN303AW01, AWNE92SN305AW01 and AWNE92SP113TW01; Models through Serial Nos. beginning 1503
10	39508P	Drive Bell and Seal Kit	Includes items 8, 11 and 12
11	39432	Screw	
12	36511	Bell Plug	
13	33174	Agitator	Models LWNA62SP303LW01 and LWNA62SP305AW01
	36507	Flex Vane Agitator	All other models
14	205225	Fabric Softener Dispenser Assembly	

# Outer Tub, Cover, Bearing and Seal Housing, Pressure Hose and Counterweight



TLW1807P\_203417

## Outer Tub, Cover, Bearing and Seal Housing, Pressure Hose and Counterweight

REF	PART NO.	DESCRIPTION	COMMENTS
1	202888	Tub Cover Assembly	Includes item 2
2	38359	Tub Cover Gasket	
3	203603P	Outer Tub Assembly	
	204383	Outer Tub Kit	Includes item 10 installed
	204568	Outer Tub and Transmission Kit	Includes item 10 installed and transmission
4	27926	Leg Plate	
5	35369	Screw	
6	37575	Leg Spring	
7	39566	Screw	
8	205612	Counterweight Assembly	
9	39249	Washer	
10	766P3A	Hub and Lip Seal Kit	
	200996P	Sealant	Use with hub and lip seal kit
11	D500049	Warning Label	
12	29175	Grommet	
13	205241	Pressure Bulb Assembly	
14	39282	Hose Clamp	
15	36985	Hose Clip	
16	21036	Cable Clip	
17	203478	Tubing	Model AWN432SP113TW04
	202700	Tubing	All other models



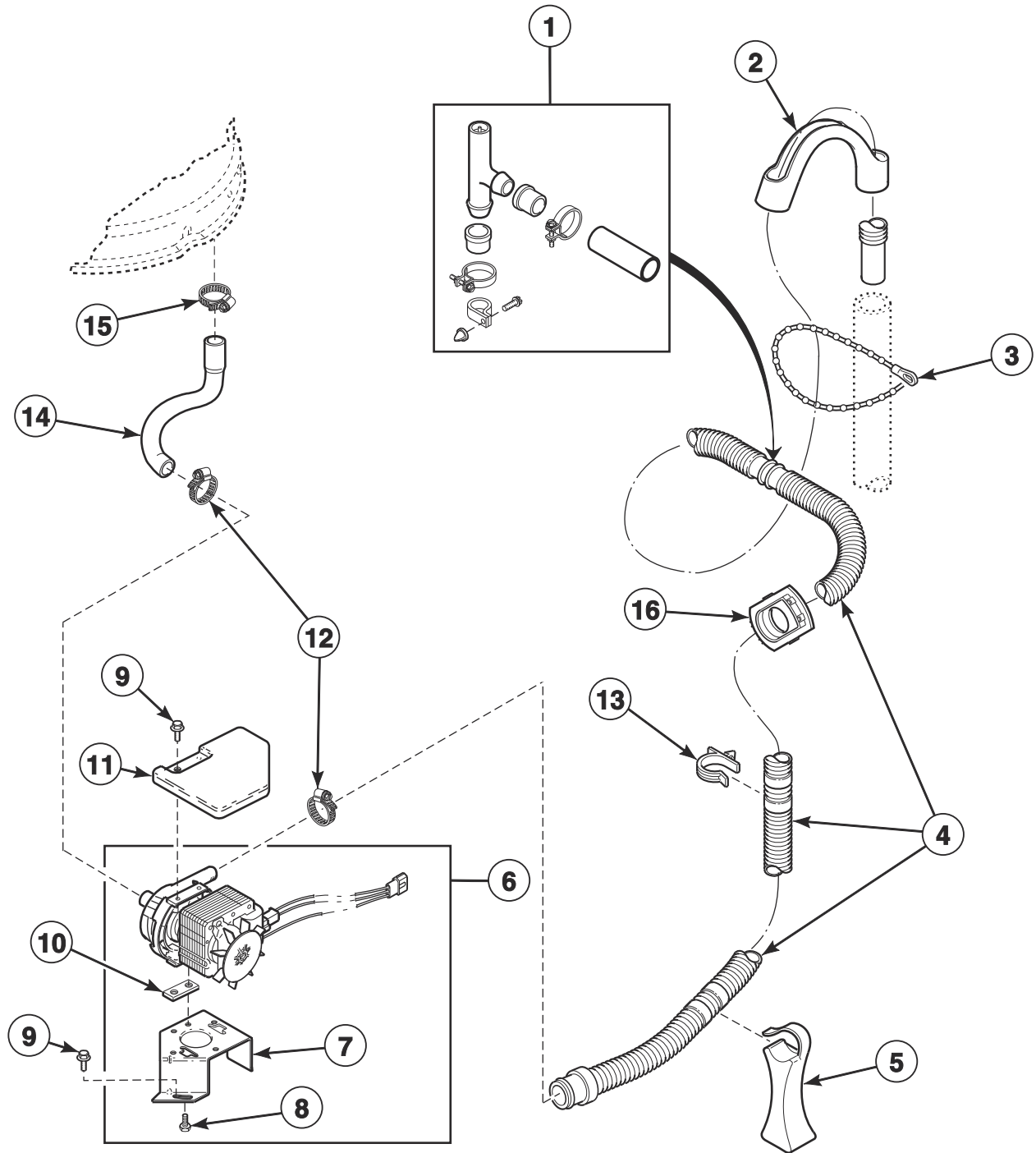


## Drain Hose and Siphon Break Kit

REF	PART NO.	DESCRIPTION	COMMENTS
	451P3	Drain Extension Kit	
1	562P3	Siphon Break Kit	Siphon break kit <b>MUST</b> be installed in drain hose if drain receptacle is lower than cabinet top of washer; Optional
2	33489	Standpipe Strap	
3	33615	Drain Hose Sleeve	
4	36878	Standpipe Adapter	
5	32219	Strain Relief	
6	39894	Drain Hose	Models LWNA62SP303LW01 and LWNA62SP305AW01
	39893	Drain Hose	All other models
7	38732	Hose Stand	
8	F200204	Hose Clamp	
9	38351	Tub-to-Pump Hose	
10	36014	Retainer Clip	

# Electric Drain Pump, Drain Hose and Siphon Break Kit (Drawing 1 of 3)

Models AWNA62SN303AW01, AWNE82SN303AW01, AWNE92SN303AW01



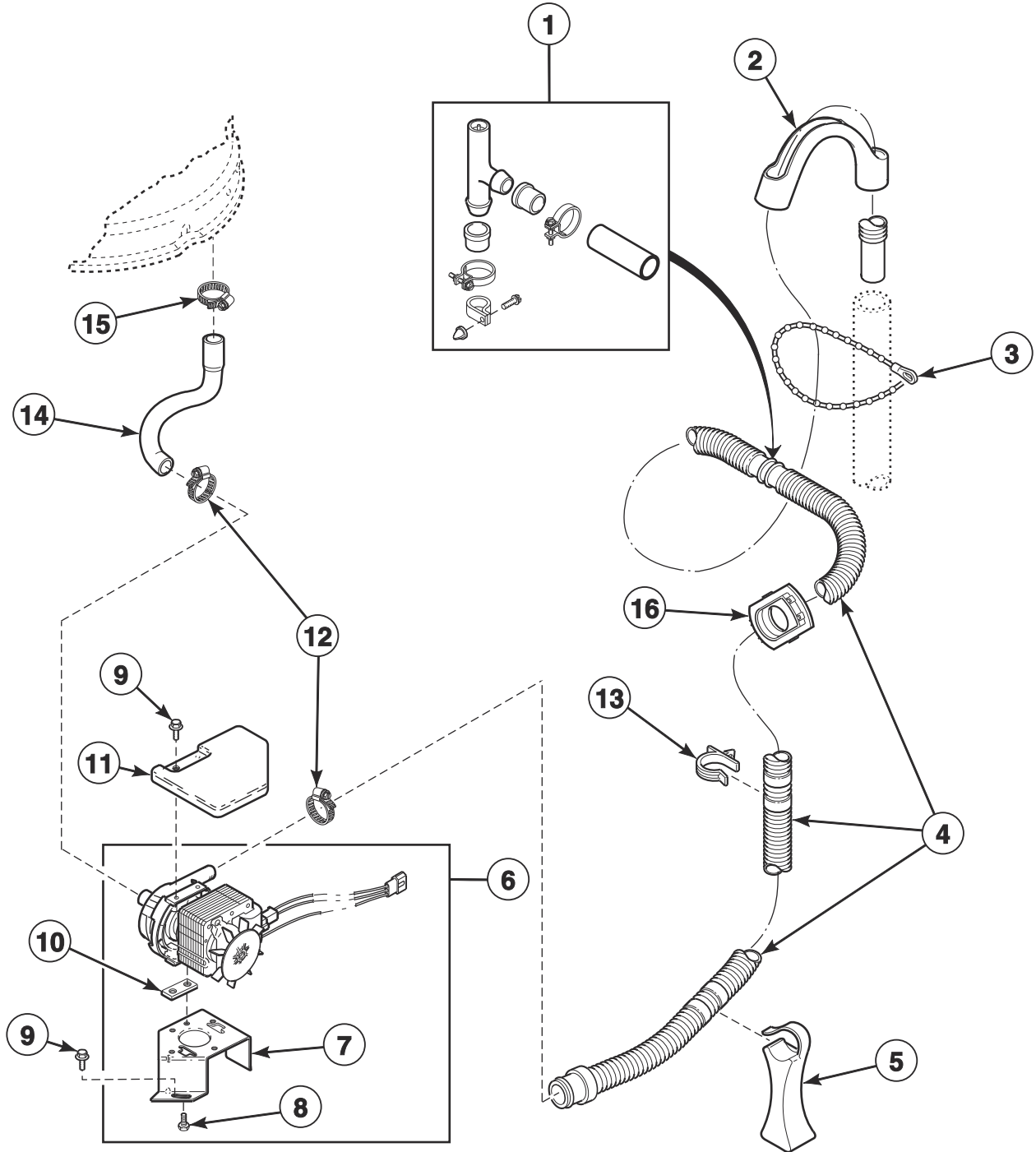
W378P\_203417

## Electric Drain Pump, Drain Hose and Siphon Break Kit (Drawing 1 of 3)

REF	PART NO.	DESCRIPTION	COMMENTS
	451P3	Drain Extension Kit	
1	562P3	Siphon Break Kit	Siphon break kit <b>MUST</b> be installed in drain hose if drain receptacle is lower than cabinet top of washer
2	33615	Drain Hose Sleeve	
3	33489	Standpipe Strap	
4	39864	Drain Hose	
5	38732	Hose Stand	
6	39255P	Drain Pump	
7	38789	Pump Bracket	
8	38096	Screw	Metric
9	D503661	Screw	
10	38095	Pump Isolator	
11	38768	Pump Shield	
12	20391	Hose Clamp	
13	36014	Retainer Clip	
14	38759	Tub-to-Pump Hose	
15	F200204	Hose Clamp	
16	32219	Strain Relief	

# Electric Drain Pump, Drain Hose and Siphon Break Kit (Drawing 2 of 3)

Models AWNA62SN305AW01 and AWNE92SN305AW01  
Through Serial No. 191299999



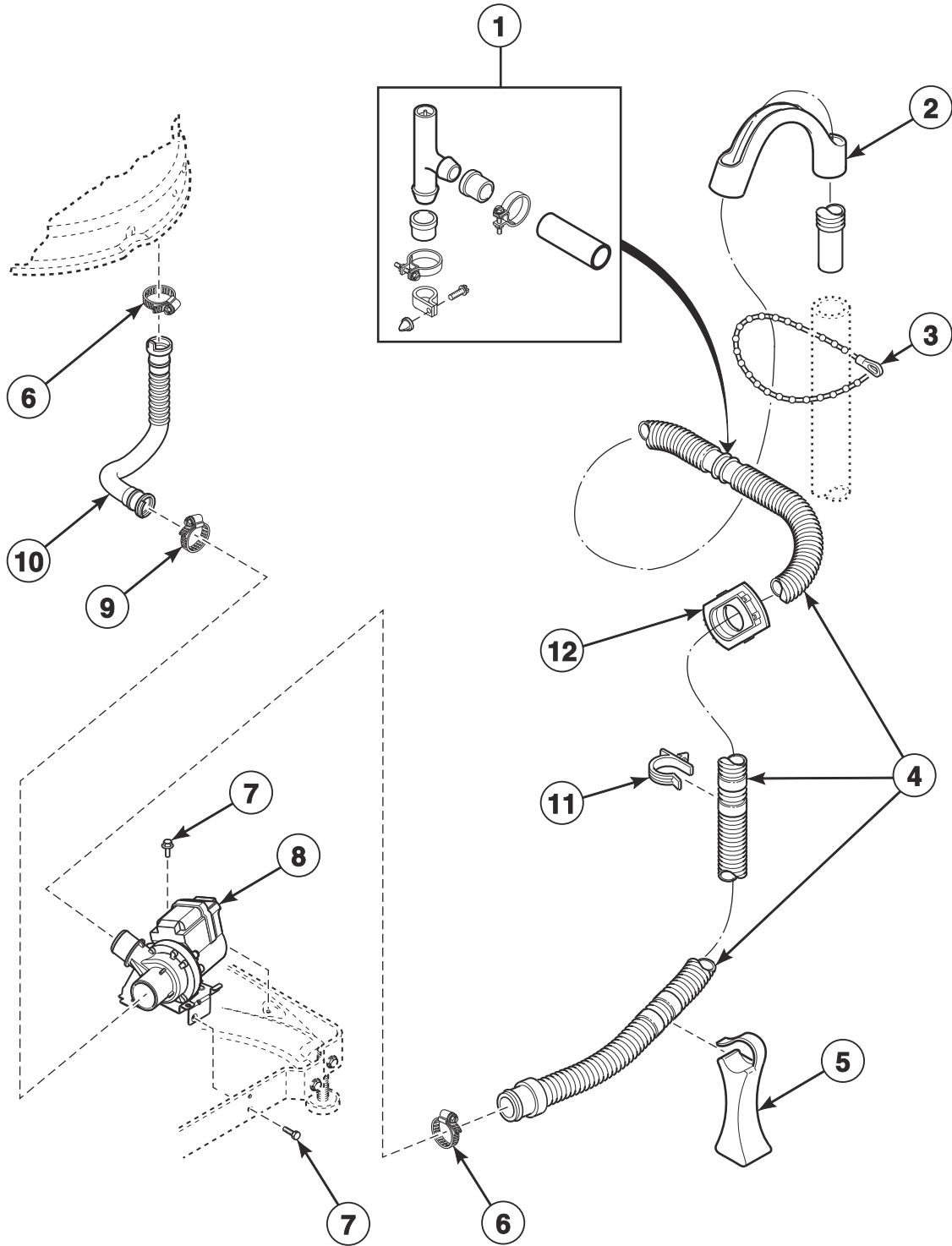
W378P\_203417

## Electric Drain Pump, Drain Hose and Siphon Break Kit (Drawing 2 of 3)

REF	PART NO.	DESCRIPTION	COMMENTS
	451P3	Drain Extension Kit	
1	562P3	Siphon Break Kit	Siphon break kit <b>MUST</b> be installed in drain hose if drain receptacle is lower than cabinet top of washer
2	33615	Drain Hose Sleeve	
3	33489	Standpipe Strap	
4	39864	Drain Hose	
5	38732	Hose Stand	
6	39255P	Drain Pump	
7	38789	Pump Bracket	
8	38096	Screw	Metric
9	D503661	Screw	
10	38095	Pump Isolator	
11	38768	Pump Shield	
12	20391	Hose Clamp	
13	36014	Retainer Clip	
14	38759	Tub-to-Pump Hose	
15	F200204	Hose Clamp	
16	32219	Strain Relief	

# Electric Drain Pump, Drain Hose and Siphon Break Kit (Drawing 3 of 3)

Models AWNA62SN305AW01, AWNE92SN305AB01 and AWNE92SN305AW01  
Starting Serial No. 2001000001

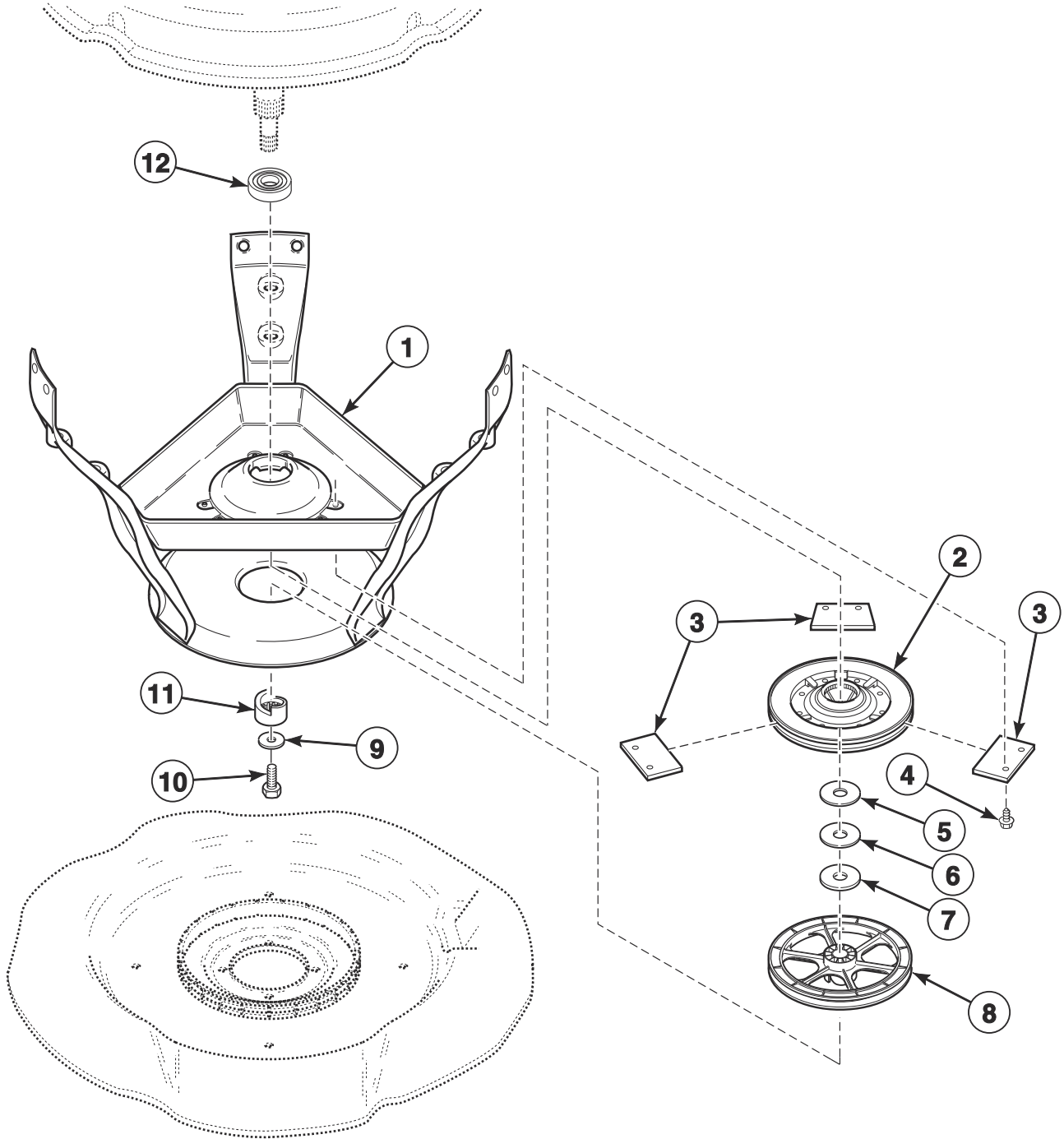


TLW1857P\_203417

## Electric Drain Pump, Drain Hose and Siphon Break Kit (Drawing 3 of 3)

REF	PART NO.	DESCRIPTION	COMMENTS
	204512	Drain Extension Kit	
1	562P3	Siphon Break Kit	Siphon break kit <b>MUST</b> be installed in drain hose if drain receptacle is lower than cabinet top of washer
2	33615	Drain Hose Sleeve	
3	33489	Standpipe Strap	
4	203588	Drain Hose	
5	38732	Hose Stand	
6	F200204	Hose Clamp	
7	31645	Screw	
8	203886	Pump and Bracket	
9	90554	Hose Clamp	
10	203560	Tub-to-Pump Hose	
11	36014	Retainer Clip	
12	32219	Strain Relief	

# Weldment and Bearing Assembly, Brake and Pulley



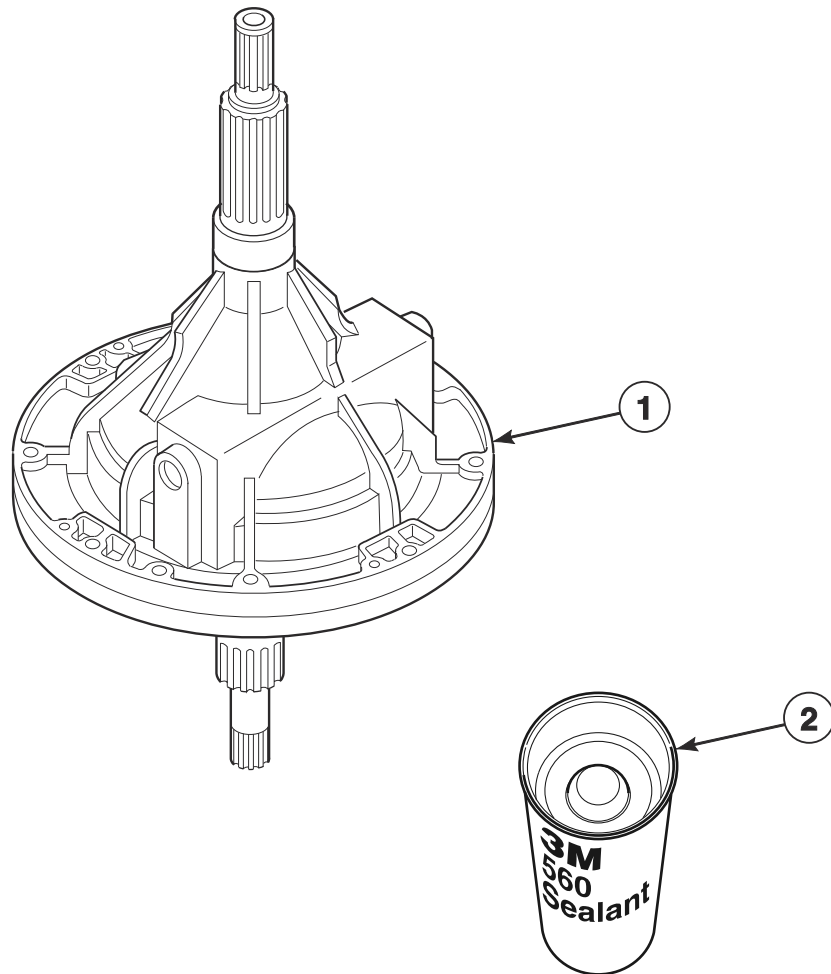
TLW1841P\_203417



## Weldment and Bearing Assembly, Brake and Pulley

REF	PART NO.	DESCRIPTION	COMMENTS
1	39253	Weldment and Bearing Assembly	
2	38505P	Brake Kit	
3	735P3	Brake Pad Kit	Includes 3 pads
	204253	Silicone Grease	Apply small amount to each new brake pad
4	39739	Screw	
5	35535	Washer	Thin
6	27015	Washer	Thick
7	35535	Washer	For machines experiencing squeaking during agitation; Through Serial Nos. beginning 1612
	203950	Washer	Starting Serial Nos. beginning 1701
	204253	Silicone Grease	Apply small amount to washer
8	204942	Pulley	Models AWNA62SN303AW01, AWNA62SN305AW01, AWNE82SN303AW01, AWNE92SN303AW01, AWNE92SN305AB01, AWNE92SN305AW01, LWNA62SP303LW01 and LWNA62SP305AW01
	204486	Pulley Kit	All other models
9	26509	Washer	
10	27220	Screw	
11	38008	Helix	
12	28944RP	Lower Bearing	

# Transmission Assembly

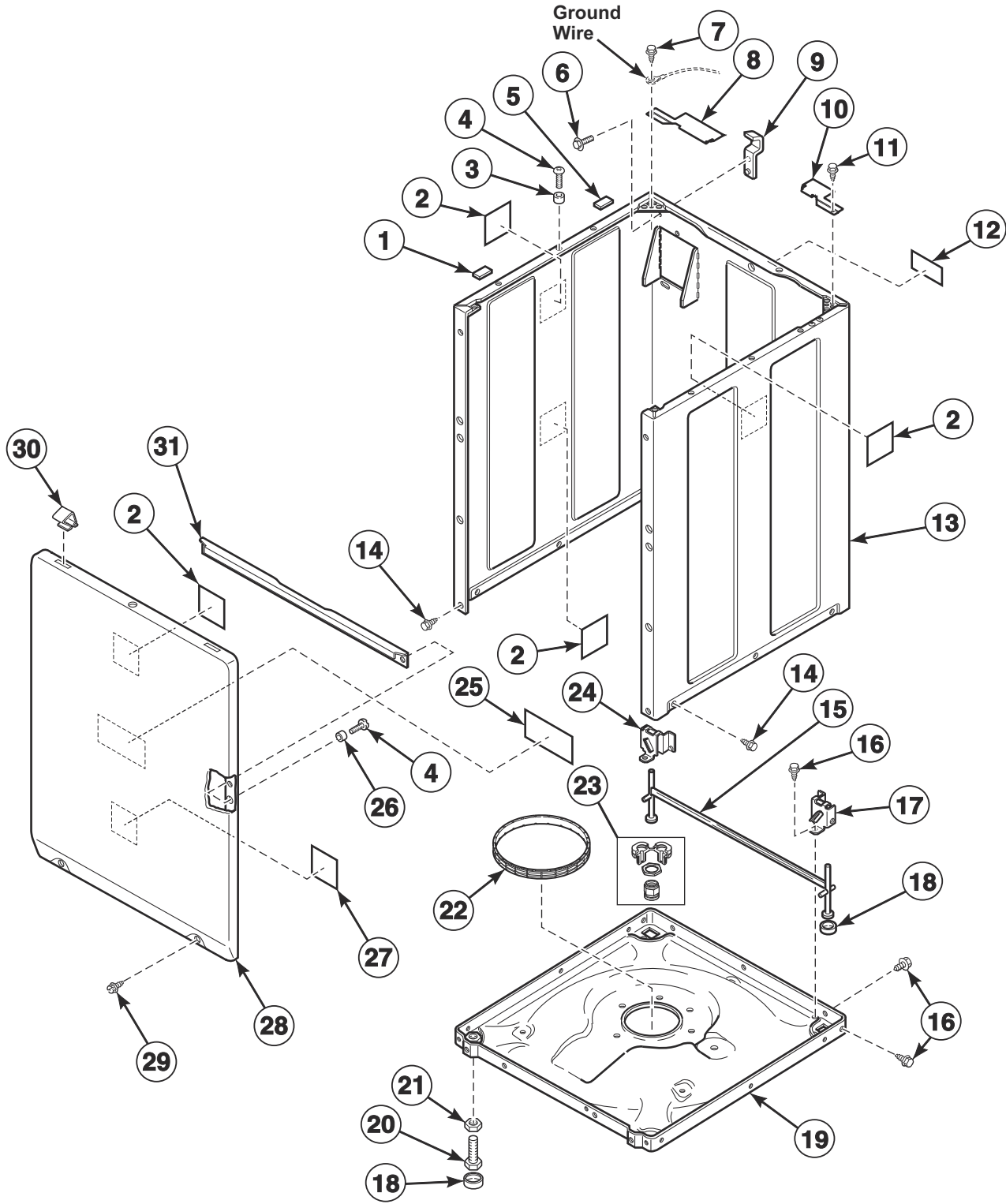


TLW1838P\_203417

# Transmission Assembly

REF	PART NO.	DESCRIPTION	COMMENTS
	27604P	Anti-Seize Compound	Apply to smooth area of both the upper and lower transmission tube that will be contacting the upper and lower bearings and apply to spline area of upper and lower transmission tube that will be contacting the washtub
1	203768	Transmission Assembly	Includes item 2 and Hub and Lip Seal Kit; Lip seal models only
2	200996P	Sealant	

# Front Panel, Base Assembly and Cabinet Kit

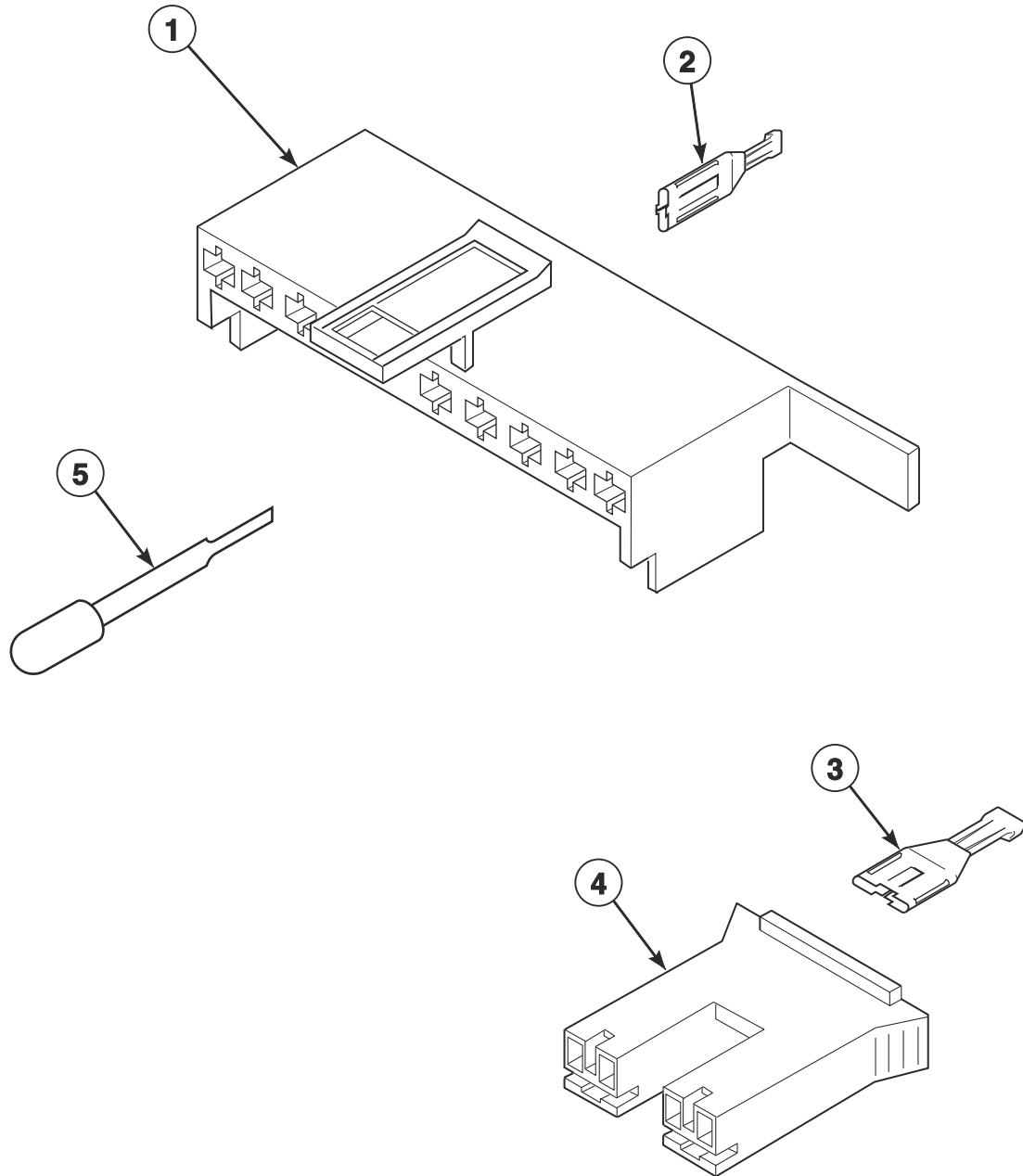


TLW1898P\_203417

## Front Panel, Base Assembly and Cabinet Kit

REF	PART NO.	DESCRIPTION	COMMENTS
	122P4P	Porcelain Touch-Up Paint	
1	56128	Bumper Pad	
2	39480	Foam Pad	
3	56079	Panel Locator	
4	39733	Screw	
5	36226	Bumper Pad	
6	D501524	Screw	
7	D501086	Screw	
8	204245	EMI Bracket	Left; Models AWNA62SN305AW01, AWNE92SN305AB01, AWNE92SN305AW01, LWNA62SP303LW01 and LWNA62SP305AW01 starting Serial No. 2001000001
9	204155	Hold-Down Lug Hinge	
10	204246	EMI Bracket	Right; Models AWNA62SN305AW01, AWNE92SN305AB01, AWNE92SN305AW01, LWNA62SP303LW01 and LWNA62SP305AW01 starting Serial No. 2001000001
11	D501086	Screw	Models AWNA62SN305AW01, AWNE92SN305AB01, AWNE92SN305AW01, LWNA62SP303LW01 and LWNA62SP305AW01 starting Serial No. 2001000001
12	803260	Warning Label	
13	38612BP	Service Cabinet Kit	Black
	38612WP	Service Cabinet Kit	White
14	27196	Screw	
15	34443	Leg and Stabilizer Assembly	
16	35148	Screw	
17	36036	Bracket	Right
18	34318	Rubber Foot	
19	39788	Base Assembly	
20	34319	Leveling Leg	
21	21899	Nut	
22	37937	Friction Ring	
23	566P3	Adjustable Leg Extension Kit	
24	36037	Bracket	Left
25	204552	Front Panel Pad	
26	28102	Panel Locator	
27	203484	Foam Pad	
28	205620	Front Panel Kit	Black
	204870	Front Panel Kit	White
29	38272	Screw	
30	35865	Hold-Down Clip	
31	35097	Front Panel Brace	

# Mixing Valve and Motor Connection Blocks, Terminals and Extractor Tool

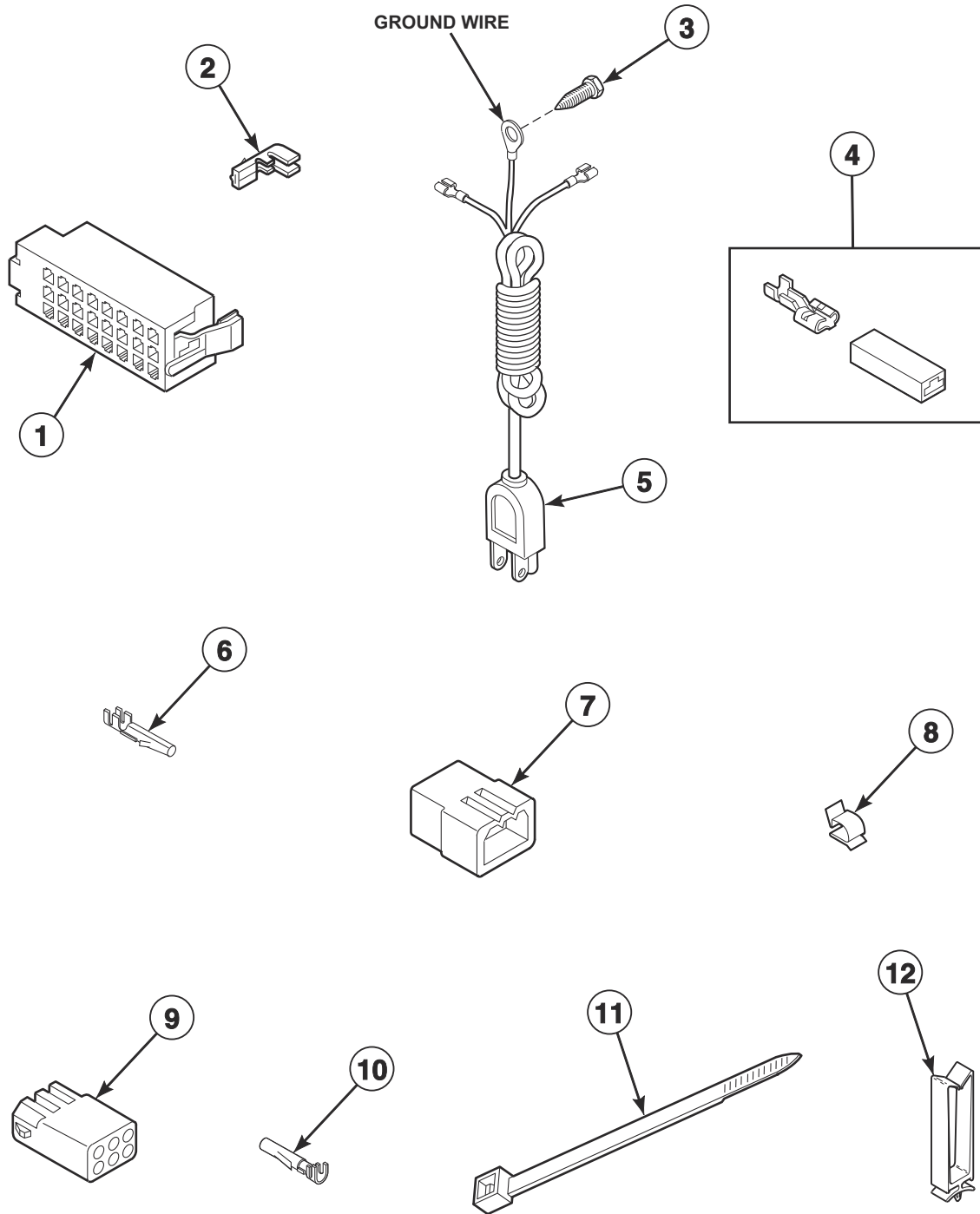


W134PZ3A\_203417

## Mixing Valve and Motor Connection Blocks, Terminals and Extractor Tool

REF	PART NO.	DESCRIPTION	COMMENTS
1	34677	10 Circuit Plug	Motor
2	00188	Female Terminal	For 1 or 2 wire application
3	00121	Female Spade Terminal	1/4 inch
4	34675	Mixing Valve Plug	Natural
	34676	Mixing Valve Plug	Red
5	283P4	Terminal Extractor Tool	

# Lead-In Cord and Terminals



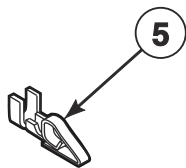
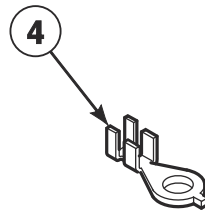
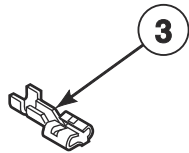
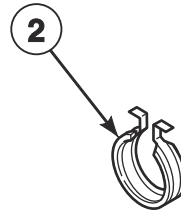
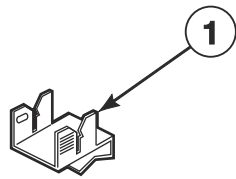
TLW1518P\_203417



## Lead-In Cord and Terminals

REF	PART NO.	DESCRIPTION	COMMENTS
1	32746	24 Position Housing	Right; Black
2	00188	Female Terminal	For 1 or 2 wire application
3	D503688	Screw	
4	00359	Insulated Female Spade Terminal	
5	203120	Lead-In Cord	Models AWNA62SN303AW01, AWNA62SN305AW01, AWNE82SN303AW01, AWNE92SN303AW01, AWNE92SN305AB01, AWNE92SN305AW01 and LWNA62SP305AW01
	203315	Lead-In Cord	Model LWNA62SP303LW01
	202777	Lead-In Cord	All other models
6	00116	Male Pin Terminal	
7	23033	9 Circuit Plug	
8	21036	Cable Clip	
9	26163	9 Circuit Receptacle	
10	00574SG	Female Pin Terminal	
11	55881	Harness Strap	
12	70296701	Wire Tie	

# Terminals

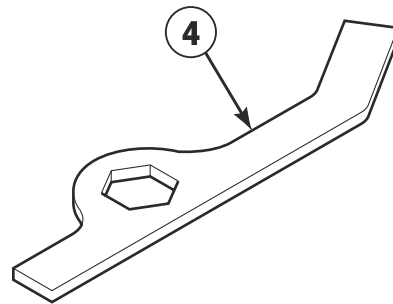
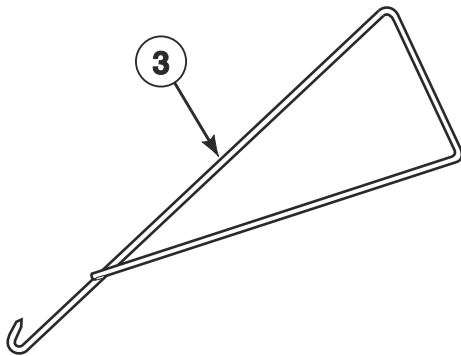
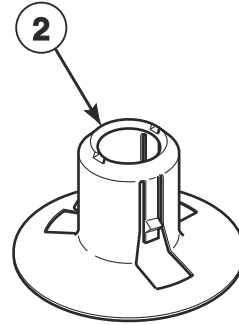
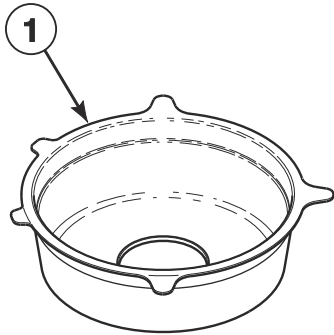


TLW1780P\_203417

# Terminals

REF	PART NO.	DESCRIPTION	COMMENTS
1	00161	Grounding Clip	
	00569SG	Terminal Grounding Clip	
2	D504034	Wire Clip	
3	00223	Female Spade Terminal	Large spade
	00577	Terminal Tab	
4	00319	Ring Terminal	Small shank
5	00257	Pressure Switch Terminal	

# Shipping Brace, Plug and Special Tools

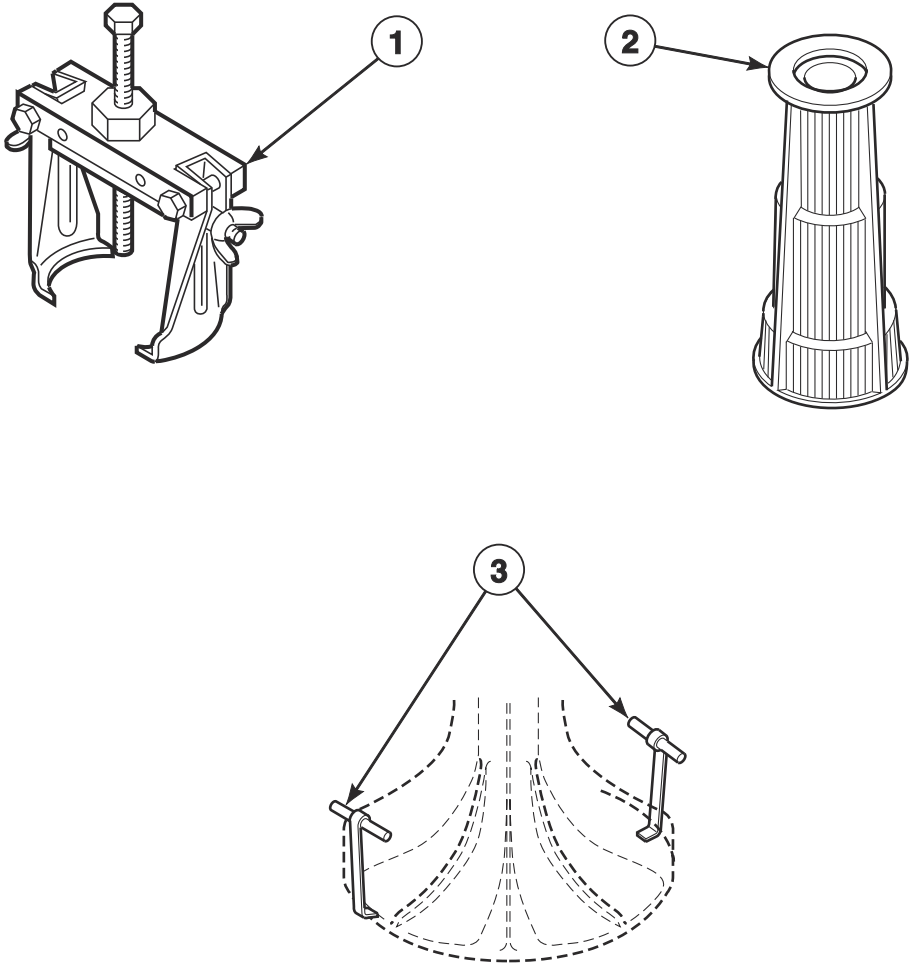


TLW1661P\_203417

## Shipping Brace, Plug and Special Tools

REF	PART NO.	DESCRIPTION	COMMENTS
	725P3	Tool Kit	Includes items 3, 4, drive bell seal tool, tub cover removal tool, agitator hook and torx bit
	202890	Foam Shipping Brace	Install before moving washer
1	204678	Shipping Brace	Install whenever moving washer; Remove before use
2	38149	Shipping Plug	Install before moving washer to prevent tub from damaging cabinet
3	321P4	Spring Hook Tool	For removal of module springs from outer tub
4	306P4	Hex Wrench Tool	For removal of locknut from washtub hub

# Special Tools



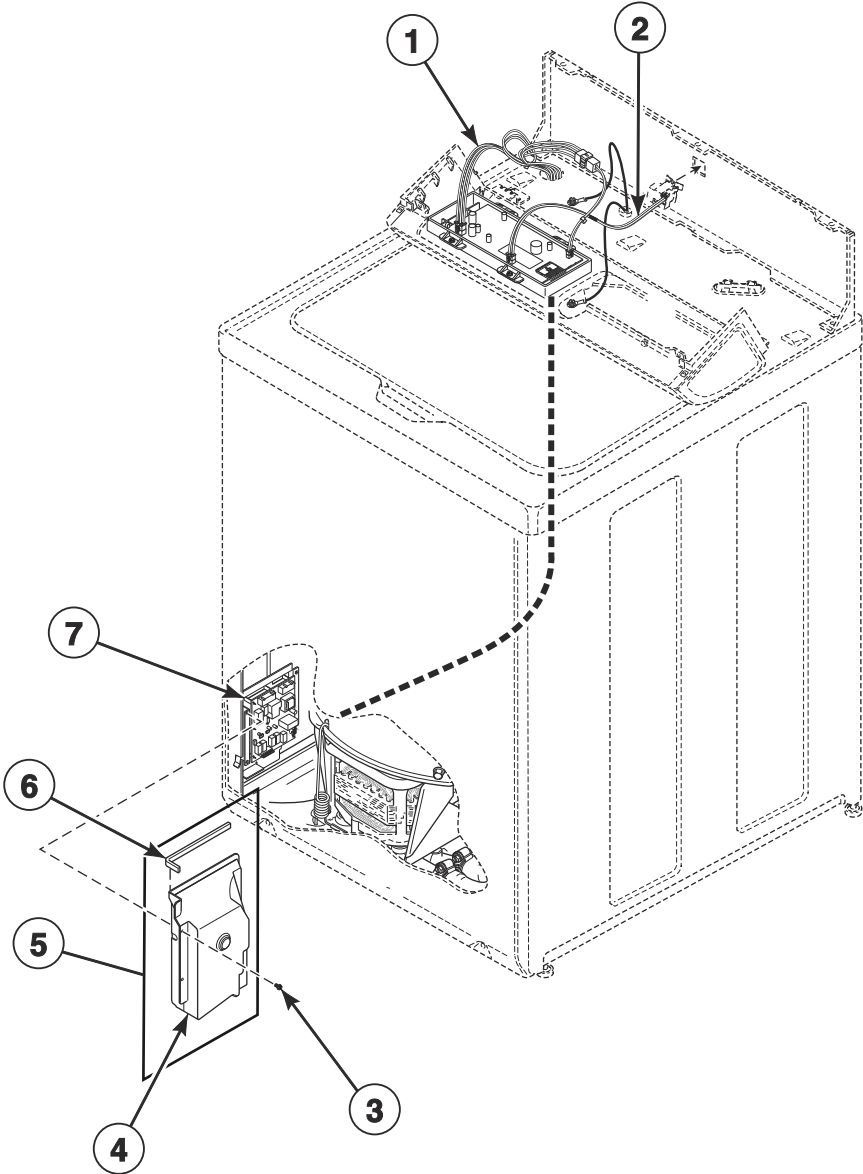
TLW1534P\_203417

## Special Tools

REF	PART NO.	DESCRIPTION	COMMENTS
	725P3	Tool Kit	Includes items 4, 5, spring hook, hex wrench, tub cover removal tool and Torx bit
1	294P4	Agitator Drive Bell Puller	For removal and installation of drive bell to transmission shaft
2	293P4	Drive Bell Seal Tool	For installation of 36425 Bell and Transmission Tube Seal
3	254P4P	Agitator Hook	Set of 2; Use to remove agitator from drive bell

# Output Board, Wire Harnesses and Wires

Models AWNA62SN303AW01, AWNA62SN305AW01, AWNE82SN303AW01, AWNE82SP113TW01, AWNE92SN303AW01, AWNE92SN305AB01, AWNE92SN305AW01, AWNE92SP113TW01, LWNA62SP303LW01 and LWNA62SP305AW01



TLW1776P\_203417



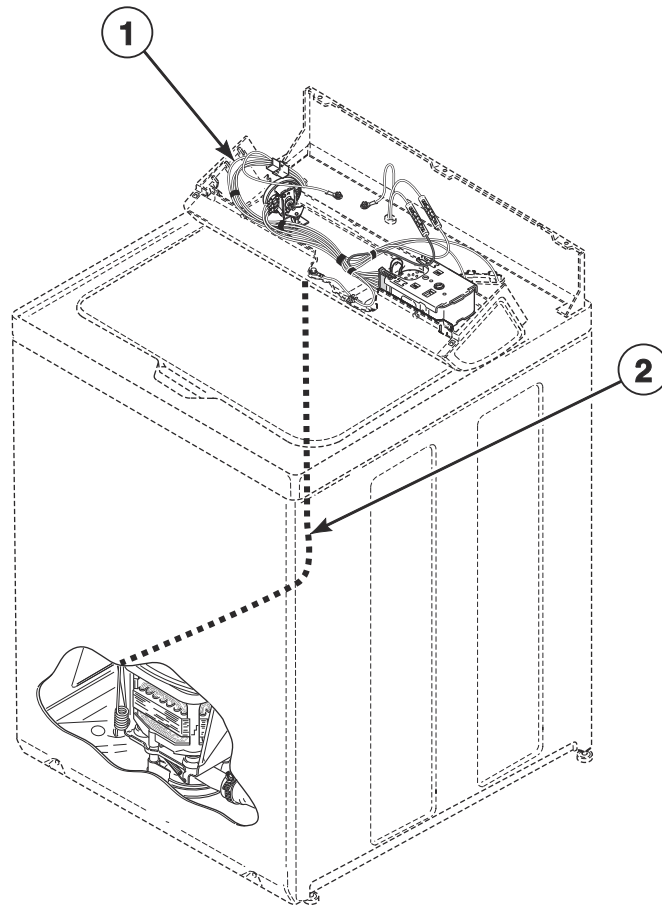
## Output Board, Wire Harnesses and Wires

REF	PART NO.	DESCRIPTION	COMMENTS
	45001	18 Gauge Wire	Black; Order wire by foot and terminals as required
	45380	12 Gauge Wire	Orange; Order wire by foot and terminals as required
	203014	Hood Harness	Model AWNA62SN303AW01
	204348	Hood Harness	Models LWNA62SP303LW01 and LWNA62SP305AW01
	203808	Hood Harness	Model AWNA62SN305AW01 through Serial No. 1903999999
	204836	Hood Harness	Model AWNA62SN305AW01 starting Serial No. 1904000001
<b>1</b>	202685	Control Harness	Models AWNA62SN303AW01, AWNA62SN305AW01, AWNE82SN303AW01, AWNE92SN303AW01 and AWNE92SN305AW01 through Serial No. 1912999999
	204710	Control Harness	Models AWNE82SP113TW01 and AWNE92SP113TW01 through Serial No. 1912999999
	204711	Control Harness	Model LWNA62SP305AW01; Models AWNA62SN303AW01, AWNE82SN303AW01, AWNE92SN303AW01, LWNA62SP303LW01 and LWNA62SP305AW01 starting Serial No. 2001000001
	204712	Control Harness	Models AWNA62SN305AW01, AWNE92SN305AB01 and AWNE92SN305AW01 starting Serial No. 2001000001
	204714	Control Harness	Models AWNE82SP113TW01 and AWNE92SP113TW01 starting Serial No. 2001000001
<b>2</b>	804432	Pressure Sensor Harness	
<b>3</b>	804667	Screw	
<b>4</b>	202939	Output Control Shield	
<b>5</b>	202965	Shield Assembly	Includes items 4 and 6
<b>6</b>	202964	Output Board Cover Gasket	
<b>7</b>	202508P	Output Board Control Assembly	Models AWNA62SN305AW01, AWNE92SN305AW01 and LWNA62SP305AW01 through Serial No. 1912999999; All other models
	204783	Output Board Control Assembly	Models AWNA62SN305AW01, AWNE92SN305AB01, AWNE92SN305AW01 and LWNA62SP305AW01 starting Serial No. 2001000001

**NOTE: Individual wires are not available separately. Order complete wire harness, or order wire by the foot. When applying terminals to wires, it is recommended that the terminals be soldered to the wires.**

# Wire Harnesses and Wires

Models AWN432SP113TW01 and AWN432SP113TW04



TLW1777P\_203417

## Wire Harnesses and Wires

REF	PART NO.	DESCRIPTION	COMMENTS
	45001	18 Gauge Wire	Black; Order wire by foot and terminals as required
	45380	12 Gauge Wire	Orange; Order wire by foot and terminals as required
1	203035	Hood Timer Harness	Model AWN432SP113TW01
	203428	Hood Timer Harness	Model AWN432SP113TW04
2	38661P	Wire Harness Assembly	

**NOTE:** Individual wires are not available separately. Order complete wire harness, or order wire by the foot. When applying terminals to wires, it is recommended that the terminals be soldered to the wires.



# Parts Index

## A

Adjustable Leg Extension Kit 566P3 .....	43
Agitate and Spin Belt 200923 .....	23, 25
38174 .....	23
Agitator 33174 .....	27
Agitator Drive Bell Puller 294P4 .....	53
Agitator Hook 254P4P .....	53
Anti-Seize Compound 27604P .....	41

## B

Balance Ring Assembly 39837 .....	27
Barbed Tee 203464 .....	17
Base Assembly 39788 .....	43
Bell and Transmission Tube Seal 36425 .....	27
Bell Plug 36511 .....	27
Belt and Pump Kit RB150003 .....	23
Bleach Dispenser 38382 .....	17
Bracket 203483 .....	9
36036 .....	43
36037 .....	43
Brake Kit 38505P .....	39
Brake Pad Kit 735P3 .....	39
Bumper 21685 .....	17
Bumper Pad 36226 .....	43
56128 .....	43
Bushing 33446 .....	17

## C

Cable Clip 21036 .....	29, 47
Cable Tie 804724 .....	19
Capacitor 203140 .....	23, 25
37377 .....	23

Capacitor Clamp 37535 .....	23, 25
Control Assembly 202769P .....	7
202770P .....	7
202771P .....	7
202772P .....	7
202792P .....	9, 11
204637 .....	13
Control Harness 202685 .....	55
204710 .....	55
204711 .....	55
204712 .....	55
204714 .....	55
Control Knob Assembly 803119P .....	5, 9
Control Support Panel 202942 .....	7
203708 .....	13
203840 .....	11
38565 .....	5, 9
Counterweight Assembly 205612 .....	29
Cycle Selector Switch 203976 .....	11
Cycle Switch 801240 .....	9
Cycle Switch Bracket 801390 .....	9

## D

Disconnect Power Warning Label D505281 .....	17
Drain Extension Kit 204512 .....	37
451P3 .....	31, 33, 35
Drain Hose 203588 .....	37
39864 .....	33, 35
39893 .....	31
39894 .....	31
Drain Hose Sleeve 33615 .....	31, 33, 35, 37
Drain Pump 39255P .....	33, 35
Drive Bell and Seal Kit 39508P .....	27
Drive Bell Seal Tool 293P4 .....	53

## E

EMI Bracket 204245 .....	43
204246 .....	43
EMI Filter Assembly 203111 .....	7

N/A items do not appear in index.

End Cap	
203961 .....	11, 13
203962 .....	11, 13
End Panel	
D504008WP .....	5, 7, 9
D504009WP .....	5, 7, 9

## F

Fabric Softener Dispenser Assembly	
205225 .....	27
Female Pin Terminal	
00574SG .....	47
Female Spade Terminal	
00121 .....	45
00223 .....	49
Female Terminal	
00188 .....	45, 47
Fill Hose	
F200116 .....	21
203718 .....	21
203719 .....	21
203720 .....	21
203750 .....	21
204102 .....	21
204103 .....	21
204108 .....	21
Flex Vane Agitator	
36507 .....	27
Foam Pad	
203484 .....	43
39480 .....	43
Foam Shipping Brace	
202890 .....	51
Friction Ring	
37937 .....	43
Front Panel Brace	
35097 .....	43
Front Panel Kit	
204870 .....	43
205620 .....	43
Front Panel Pad	
204552 .....	43

## G

Graphic Panel	
202797P .....	7
203495W .....	9
203606W .....	5
203712 .....	13
204341W .....	9
204595 .....	11
Grommet	
29175 .....	29
80262 .....	17, 19
Grounding Clip	
00161 .....	5, 49

## H

Harness Strap	
55881 .....	47
Helix	
38008 .....	39
Hex Wrench Tool	
306P4 .....	51
Hinge Stop Clip	
36519 .....	17
Hold-Down Clip	
205340 .....	5, 7, 9, 11, 13, 17
35865 .....	43
Hold-Down Lug Hinge	
204155 .....	43
Hood Back Panel	
202549 .....	17
203110 .....	17
203525 .....	17
204664 .....	17
204665 .....	17
37782 .....	17
Hood Harness	
203014 .....	55
203808 .....	55
204348 .....	55
204836 .....	55
Hood Wire Harness Assembly	
203035 .....	57
203428 .....	57
Hose Clamp	
F200204 .....	31, 33, 35, 37
20391 .....	33, 35
36801 .....	21
39282 .....	29
90554 .....	37
Hose Clip	
36985 .....	29
Hose Stand	
38732 .....	31, 33, 35, 37
Housing, 24 Position	
32746 .....	47
Hub and Lip Seal Kit	
766P3A .....	27, 29

## I

Idler Lever	
38011 .....	23, 25
Idler Lever and Belt Kit	
202972 .....	23, 25
Idler Lever Kit	
959P3 .....	23
Idler Lever Spring	
201189 .....	23, 25
202032 .....	23, 25
Idler Pulley	
38225P .....	23, 25
Idler Shaft	
210186 .....	23, 25
Indicator Light	
801356 .....	9

N/A items do not appear in index.

Indicator Light Lens 801435 .....	9
Inlet Cover 202894 .....	17
Inlet Deflector 202900 .....	17
Insulated Female Spade Terminal 00359 .....	47

## J

Junction Box 203068 .....	19
------------------------------	----

## K

Knob Assembly 204046 .....	11
36701W .....	9
803118P .....	5
803168P .....	9

## L

Lead-In Cord 202777 .....	47
203120 .....	47
203315 .....	47
LED Display Assembly 205130 .....	11
Leg and Stabilizer Assembly 34443 .....	43
Leg Plate 27926 .....	29
Leg Spring 37575 .....	29
Leveling Leg 34319 .....	43
Lid 37395B .....	17
37395WP .....	17
Lid Hinge 36437 .....	17
36513 .....	17
Lid Switch Kit 204696 .....	15
Lid Switch Shield 204538 .....	15
Lid Warning Label 205608 .....	17
Line Filter 804864 .....	19
Lint Filter 39371 .....	27
Lower Bearing 28944RP .....	39

## M

Male Pin Terminal 00116 .....	47
Male Tab Terminal 00177 .....	23
Mixing Valve 202395P .....	21
202396P .....	21
203741 .....	21
203928 .....	21
Mixing Valve Mounting Bracket 203558 .....	21
39407 .....	21
Mixing Valve Plug 34675 .....	45
34676 .....	45
Mixing Valve Screen F8161201 .....	21
24122 .....	21
Mixing Valve Shield 202899 .....	21
Motor Assembly 202544P .....	25
38034 .....	23
Motor Drip Shield 203053 .....	23, 25
Motor Mount and Isolator Assembly 204062 .....	23, 25
204063 .....	23, 25
Motor Mount Bracket 200941 .....	23, 25
Motor Shield 34754 .....	23, 25

## N

Nut M400979 .....	15
M400981 .....	15
21899 .....	43
28803 .....	23, 25
29220 .....	27
29787 .....	19
35423 .....	23, 25
52566 .....	23, 25

## O

Outer Tub and Transmission Kit 204568 .....	29
Outer Tub Assembly 203603P .....	29
Outer Tub Kit 204383 .....	29
Output Board Control Assembly 202508P .....	55
204783 .....	55
Output Board Cover Gasket 202964 .....	55

N/A items do not appear in index.

Output Control Shield	
202939 .....	55
Overlay	
202628 .....	7
202751 .....	7
204596 .....	13

## P

Panel Locator	
28102 .....	43
56079 .....	43
Plug, 10 Circuit	
34677 .....	45
Plug, 9 Circuit	
23033 .....	47
Porcelain Touch-Up Paint	
122P4P .....	43
Pressure Bulb Assembly	
205241 .....	29
Pressure Sensor	
203843 .....	17, 19
Pressure Sensor Harness	
804432 .....	55
Pressure Switch	
B12548401 .....	17
202937 .....	5
Pressure Switch Terminal	
00257 .....	49
Pulley	
204942 .....	39
Pulley Kit	
204486 .....	39
Pump and Bracket	
203886 .....	37
Pump Assembly Kit	
205217P .....	23
Pump Bracket	
38789 .....	33, 35
Pump Isolator	
38095 .....	33, 35
Pump Shield	
38768 .....	33, 35
Push Button Switch	
203935 .....	11
Push-to-Start Switch	
801434W .....	9

## R

Receptacle, 9 Circuit	
26163 .....	47
Retainer Clip	
36014 .....	31, 33, 35, 37
Retaining Ring	
23748 .....	23, 25
Ring Terminal	
00319 .....	49
Rocker Switch	
203934 .....	11
38424W .....	5, 9

Rubber Foot	
34318 .....	43

## S

Screw	
D501086 .....	5, 7, 9, 43
D501524 .....	43
D503661 .....	33, 35
D503688 .....	47
M402574 .....	15
203799 .....	11, 13
204656 .....	15
20530 .....	23
23962 .....	5, 7, 9, 11, 13, 15, 17
27196 .....	43
27202 .....	27
27220 .....	39
27229 .....	23, 25
31645 .....	23, 25, 37
33562 .....	17, 21
34337 .....	17
35148 .....	43
35369 .....	23, 25, 29
38096 .....	33, 35
38272 .....	43
39397 .....	21
39432 .....	27
39566 .....	29
39733 .....	43
39739 .....	39
431287 .....	17
52909 .....	23, 25
800258 .....	19
804608 .....	9, 11
804667 .....	7, 13, 55
807075 .....	11, 13
Sealant	
200996P .....	27, 29, 41
Service Cabinet Kit	
38612BP .....	43
38612WP .....	43
Shield Assembly	
202965 .....	55
Shipping Brace	
204678 .....	51
Shipping Plug	
38149 .....	51
Silicone Grease	
204253 .....	39
Siphon Break Kit	
562P3 .....	31, 33, 35, 37
Spline Insert	
29728 .....	27
Spring Clip	
210202 .....	23
Spring Hook Tool	
321P4 .....	51
Standpipe Adapter	
36878 .....	31
Standpipe Strap	
33489 .....	31, 33, 35, 37
Strain Relief	
32219 .....	31, 33, 35, 37
38384 .....	17

N/A items do not appear in index.



---

## T

Temperature Switch	
35115 .....	5, 9, 11
Terminal Extractor Tool	
283P4 .....	45
Terminal Grounding Clip	
00569SG .....	49
Terminal Tab	
00577 .....	49
Timer	
202705P .....	5
203387P .....	5
Timer Knob Assembly	
D512117W .....	9
202133 .....	5
Timer Skirt Assembly	
803116 .....	5
Tool Kit	
725P3 .....	51, 53
Top	
37992B .....	17
37992WP .....	17
Top Cover	
39905W .....	5, 7, 9
Top Shield	
203946 .....	17
Transmission Assembly	
203768 .....	41
Tub Cover Assembly	
202888 .....	29
Tub Cover Gasket	
38359 .....	29
Tube	
202333 .....	23, 25
Tubing	
202700 .....	29
203478 .....	29
203511 .....	17
Tub-to-Pump Hose	
203560 .....	37
38351 .....	31
38759 .....	33, 35

---

## V

Valve to Inlet Hose	
202884 .....	21
204400 .....	21

---

## W

Warning Label	
D500049 .....	29
803260 .....	43
Washer	
D504082 .....	23, 25
20290 .....	21
203950 .....	39
26509 .....	39
27015 .....	39

35535 .....	39
37772 .....	23, 25
39249 .....	29
52549 .....	23, 25
802254 .....	21
803615 .....	21
81392 .....	23, 25
Washtub Gasket	
39122 .....	27
Washtub Kit	
719P3 .....	27
Weldment and Bearing Assembly	
39253 .....	39
Wire Clip	
D504034 .....	49
Wire Harness Assembly	
38661 .....	57
Wire Tie	
70296701 .....	47
Wire, 12 Gauge	
45380 .....	55, 57
Wire, 18 Gauge	
45001 .....	55, 57

---

N/A items do not appear in index.

