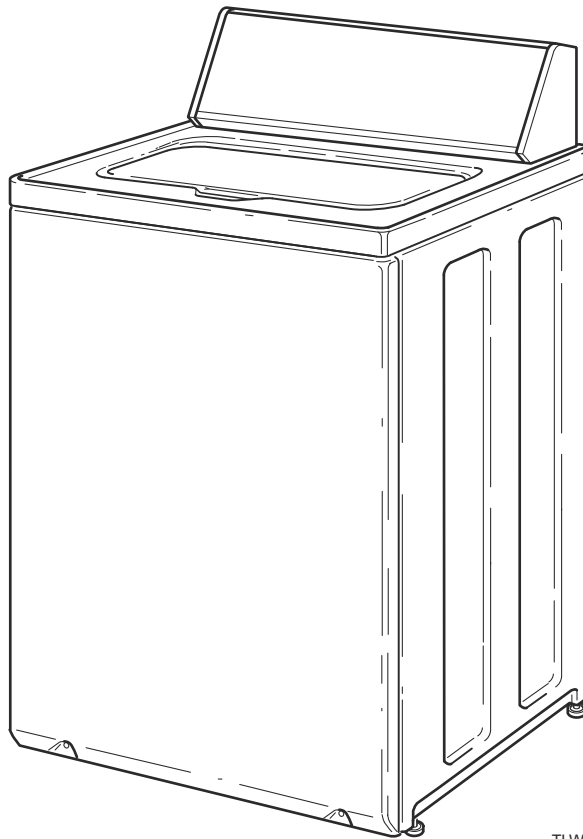


# Residential and Non-Vend Topload Washers

Refer to Page 3 for Model Numbers



TLW24C\_204240





# Table of Contents

Title	Page
Parts Ordering Information.....	2
Serial Plate Location .....	2
Model Identification .....	3
Graphic Panel, Control Support Panel and Controls Through Serial Nos. Beginning 1809.....	4
Graphic Panel, Control Support Panel and Controls Starting Serial No. 1810000001 .....	6
Graphic Panel, Control Support Panel and Controls and Electronic.....	8
Lid Switch Assembly .....	10
Top, Lid and Hood Back Panel .....	12
Fill Hose, Mixing Valve-to-Tub Cover Hose, Mixing Valve and Bracket.....	14
Motor, Mounting Bracket and Belt.....	16
Agitator, Fabric Softener Dispenser, Drive Bell, Hub and Lip Seal Kit and Washtub.....	18
Outer Tub, Cover, Bearing and Seal Housing, Pressure Hose and Counterweight.....	20
Drain Pump, Drain Hose and Siphon Break Kit .....	22
Weldment and Bearing Assembly, Drive Shaft and Pulley .....	24
Front Panel, Base Assembly and Cabinet Kit .....	26
Lead-In Cord and Cable Ties .....	28
Shipping Brace, Plug and Special Tools .....	30
Output Board, Wire Harnesses and Wires .....	32
Drive Control, Wire Harnesses and Wires .....	34
Parts Index.....	37

© Copyright 2025, Alliance Laundry Systems LLC

All rights reserved. No part of the contents of this book may be reproduced or transmitted in any form or by any means without the expressed written consent of the publisher.

## Parts Ordering Information

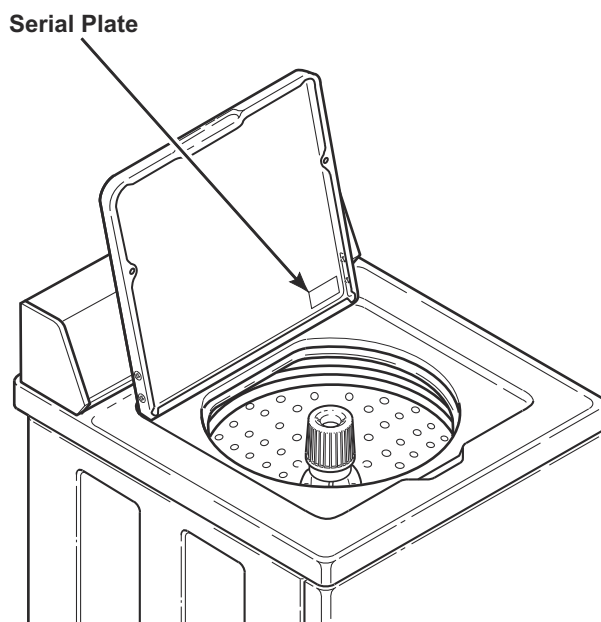
If literature or replacement parts are required, contact the source from whom the machine was purchased or contact Alliance Laundry Systems at (920) 748-3950 for the name and address of the nearest authorized parts distributor.

For technical assistance, call the number listed below:

(920) 748-3121 Ripon, Wisconsin

## Serial Plate Location

When calling or writing about your product, be sure to mention model and serial numbers. Model and serial numbers are located on serial plate(s) as shown.



TLW1851P\_204240

## Model Identification

Information in this manual is applicable to these washer models:

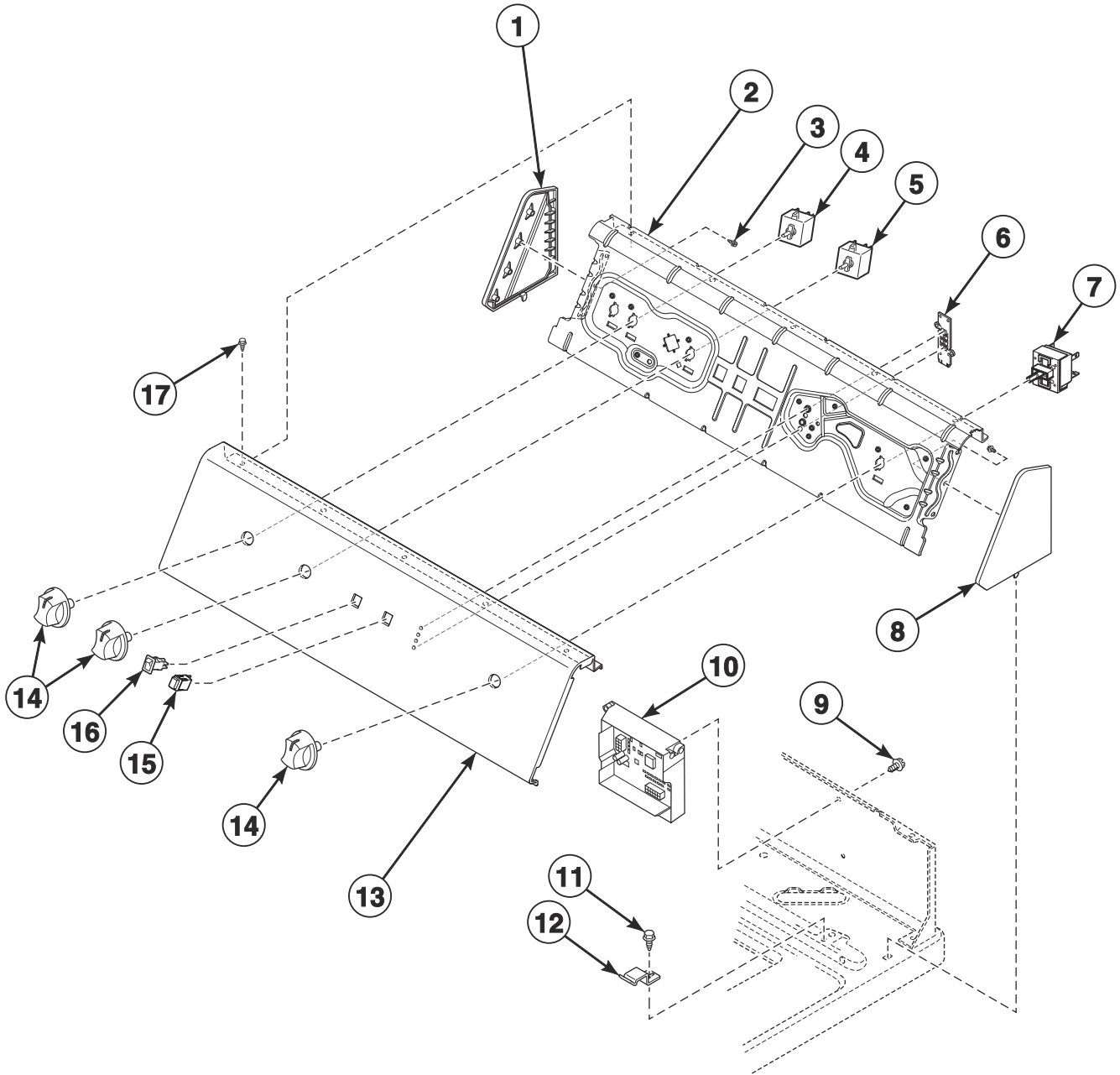
AWN43RSN115CW01  
AWN43RSN115CW14  
AWN43RSN115TW01  
AWN43RSN116TW01  
AWN43RSN116TW02  
AWN63RSN115CW01  
AWN63RSN115CW14  
AWN63RSN115TW01  
AWN63RSN116TW01  
AWNE9RSN115CW01  
AWNE9RSN115CW14  
AWNE9RSN115TW01  
AWNE9RSN116TB01  
AWNE9RSN116TW01

FWN6ZRSN116TW01  
LWN63RSN116TW01  
LWN6ZRSN116TW01

ZWN43RSN115CW01  
ZWN43RSN116CW01  
ZWN63RSN115CW01  
ZWN63RSN116CW01  
ZWNE9RSN115CW01  
ZWNE9RSN116CW01

# Graphic Panel, Control Support Panel and Controls Through Serial Nos. Beginning 1809

Models AWN43RSN115CW01, AWN43RSN115CW14, AWN43RSN115TW01, AWN63RSN115CW01, AWN63RSN115CW14  
and AWN63RSN115TW01



TLW1862P\_204240

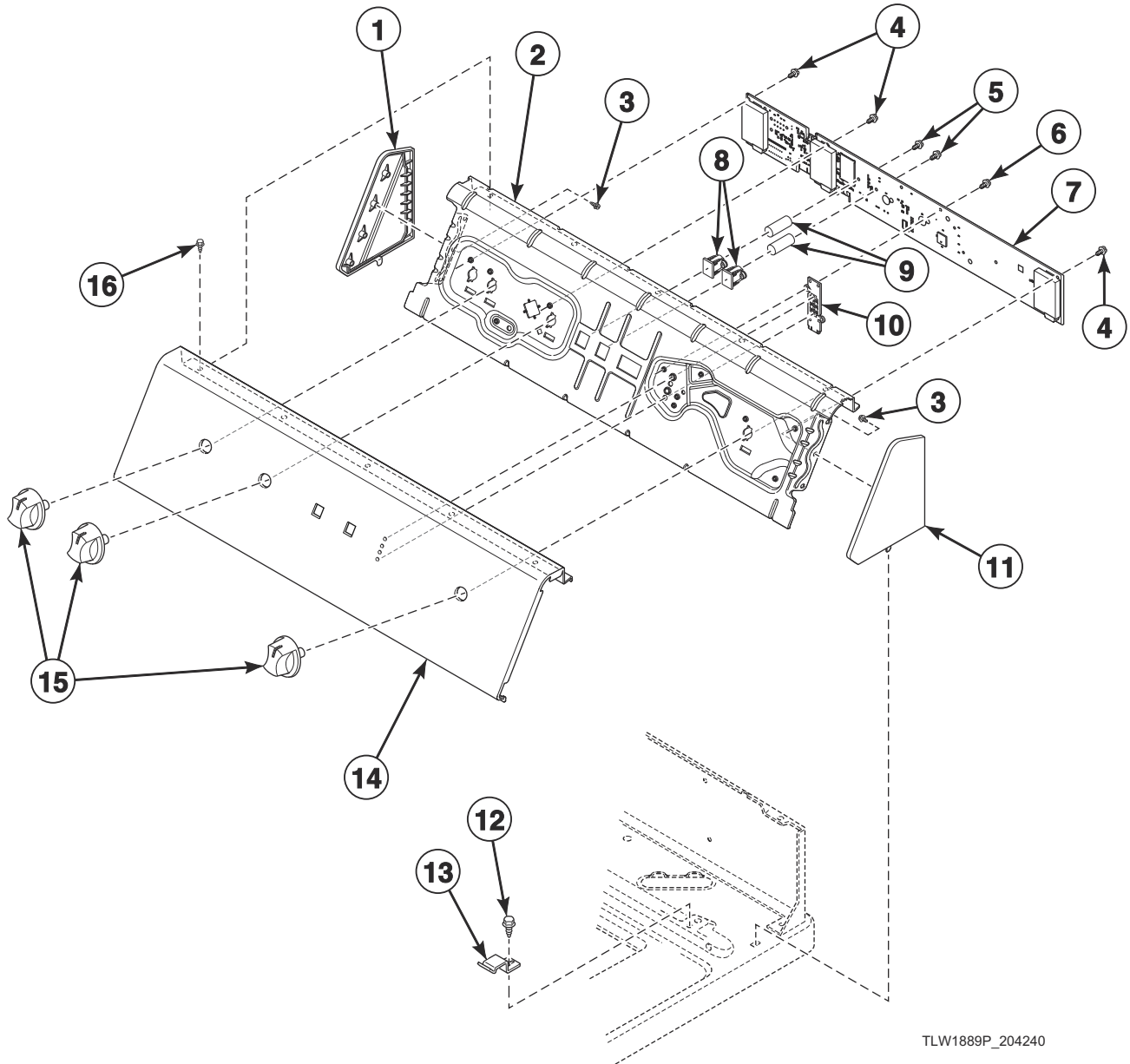
## Graphic Panel, Control Support Panel and Controls Through Serial Nos. Beginning 1809

REF	PART NO.	DESCRIPTION	COMMENTS
1	203730W	End Cap	Left
2	203840	Control Support Panel	
3	203799	Screw	
4	35115	Temperature Switch	Model AWN43RSN115TW01
	36335	Temperature Switch	Model AWN63RSN115TW01
5	36335	Temperature Switch	For load size knob
6	204396	LED Display Assembly	
7	203977	Cycle Selector Switch	Models AWN43RSN115CW01, AWN43RSN115CW14 and AWN43RSN115TW01
	203976	Cycle Selector Switch	Models AWN63RSN115CW01, AWN63RSN115CW14 and AWN63RSN115TW01
8	203729W	End Cap	Right
9	804608	Screw	
10	204141P	Control Assembly	Models AWN43RSN115CW01, AWN43RSN115CW14 and AWN43RSN115TW01
	204163P	Control Assembly	Models AWN63RSN115CW01, AWN63RSN115CW14 and AWN63RSN115TW01
11	23962	Screw	
12	35358	Hold-Down Clip	
13	203989	Graphic Panel	Models AWN43RSN115CW01 and AWN43RSN115TW01
	203735	Graphic Panel	Models AWN63RSN115CW01 and AWN63RSN115TW01
	204010	Graphic Panel	Model AWN43RSN115CW14
	204009	Graphic Panel	Model AWN63RSN115CW14
14	806597	Knob Assembly	
15	203935	Push Button Switch	
16	203934	Rocker Switch	
17	D501086	Screw	

# Graphic Panel, Control Support Panel and Controls

## Starting Serial No. 1810000001

Models AWN43RSN115CW01, AWN43RSN115CW14, AWN43RSN115TW01, AWN43RSN116TW01, AWN43RSN116TW02, AWN63RSN115CW01, AWN63RSN115CW14, AWN63RSN115TW01, AWN63RSN116TW01, FWN6ZRSN116TW01, LWN63RSN116TW01, LWN6ZRSN116TW01, ZWN43RSN115CW01, ZWN43RSN116CW01, ZWN63RSN115CW01 and ZWN63RSN116CW01



TLW1889P\_204240

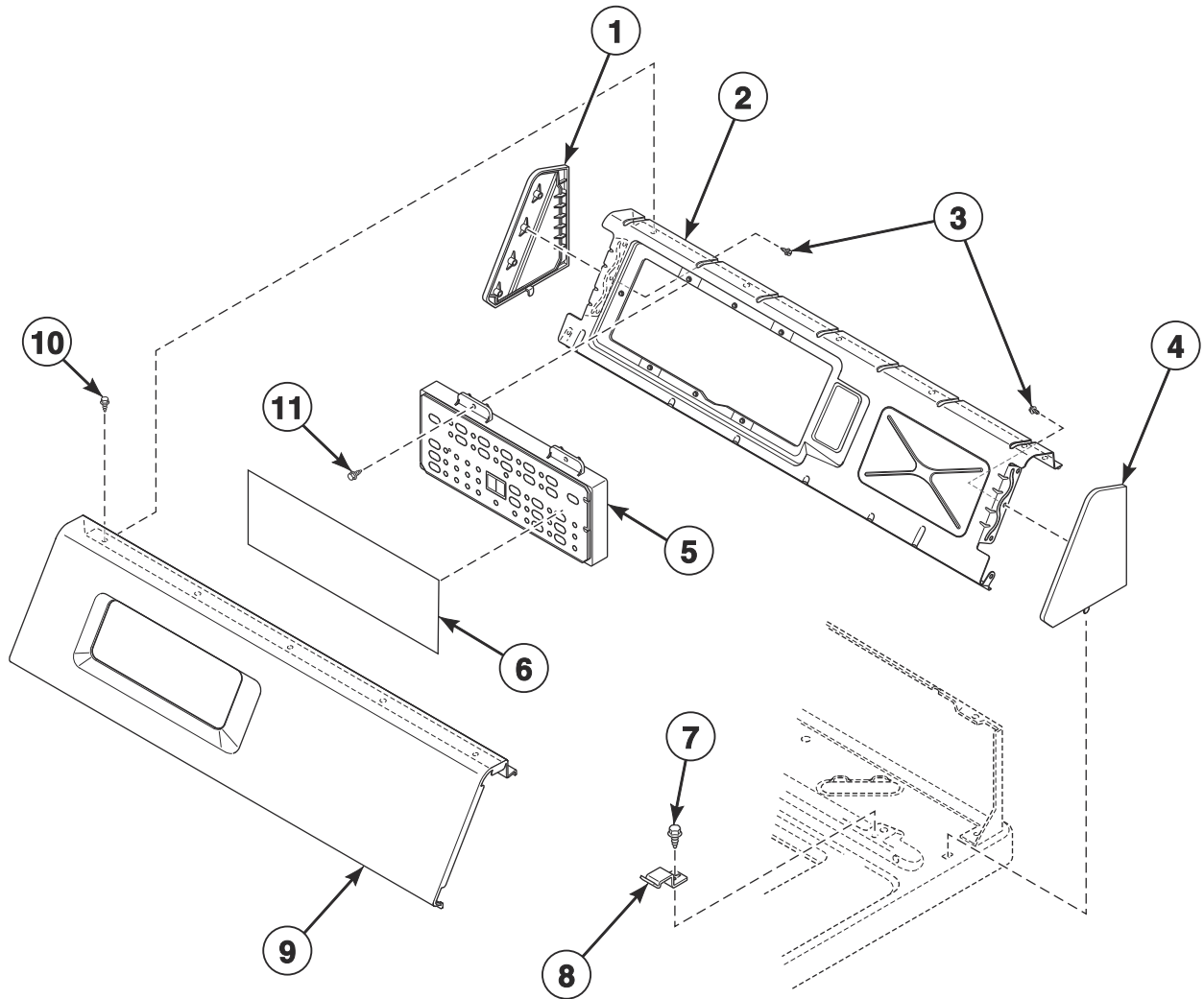


## Graphic Panel, Control Support Panel and Controls Starting Serial No. 1810000001

REF	PART NO.	DESCRIPTION	COMMENTS
1	203730W	End Cap	Left
2	203840	Control Support Panel	
3	203799	Screw	
4	204342	Screw	
5	800548	Screw	
6	204503	Screw	
7	204064P	Control Assembly	Models AWN43RSN115CW01, AWN43RSN115CW14, AWN43RSN115TW01 and ZWN43RSN115CW01
	205076P	Control Assembly	Models AWN43RSN116TW01, AWN43RSN116TW02 and ZWN43RSN116CW01
	205078P	Control Assembly	Models AWN63RSN116TW01, LWN63RSN116TW01 and ZWN63RSN116CW01
	205337	Control Assembly	Model FWN6ZRSN116TW01 through Serial No. 2107999999
	205351	Control Assembly	Model FWN6ZRSN116TW01 starting Serial No. 2108000001
	205202P	Control Assembly	Model LWN6ZRSN116TW01 through Serial No. 2107999999
	205353	Control Assembly	Model LWN6ZRSN116TW01 starting Serial No. 2108000001
	204065P	Control Assembly	All other models
8	204266	Capacitive Touch Switch	
9	204365	Foam	
10	204488	LED Display Assembly	
11	203729W	End Cap	Right
12	23962	Screw	
13	35358	Hold-Down Clip	
14	204586	Graphic Panel	Models AWN43RSN115CW01 and AWN43RSN115TW01
	204610	Graphic Panel	Model AWN43RSN115CW14
	204609	Graphic Panel	Model AWN63RSN115CW14
	204996	Graphic Panel	Model AWN43RSN116TW01
	204997	Graphic Panel	Model AWN63RSN116TW01
	204998	Graphic Panel	Model ZWN43RSN116CW01
	204999	Graphic Panel	Model ZWN63RSN116CW01
	204910	Graphic Panel	Model ZWN43RSN115CW01
	204912	Graphic Panel	Model ZWN63RSN115CW01
	205182	Graphic Panel	Model FWN6ZRSN116TW01 through Serial No. 2107999999
	205355	Graphic Panel	Model FWN6ZRSN116TW01 starting Serial No. 2108000001
	205183	Graphic Panel	Model LWN6ZRSN116TW01 through serial No. 2107999999
	205356	Graphic Panel	Model LWN6ZRSN116TW01 starting Serial No. 2108000001
	205418	Graphic Panel	Model AWN43RSN116TW02
	205109	Graphic Panel	Model LWN63RSN116TW01
	204587	Graphic Panel	All other models
15	205106	Knob Assembly	Models FWN6ZRSN116TW01 and LWN6ZRSN116TW01
	806597	Knob Assembly	All other models
16	807075	Screw	

# Graphic Panel, Control Support Panel and Controls and Electronic

Models AWNE9RSN115CW01, AWNE9RSN115CW14, AWNE9RSN115TW01, AWNE9RSN116TB01, AWNE9RSN116TW01, ZWNE9RSN115CW01 and ZWNE9RSN116CW01

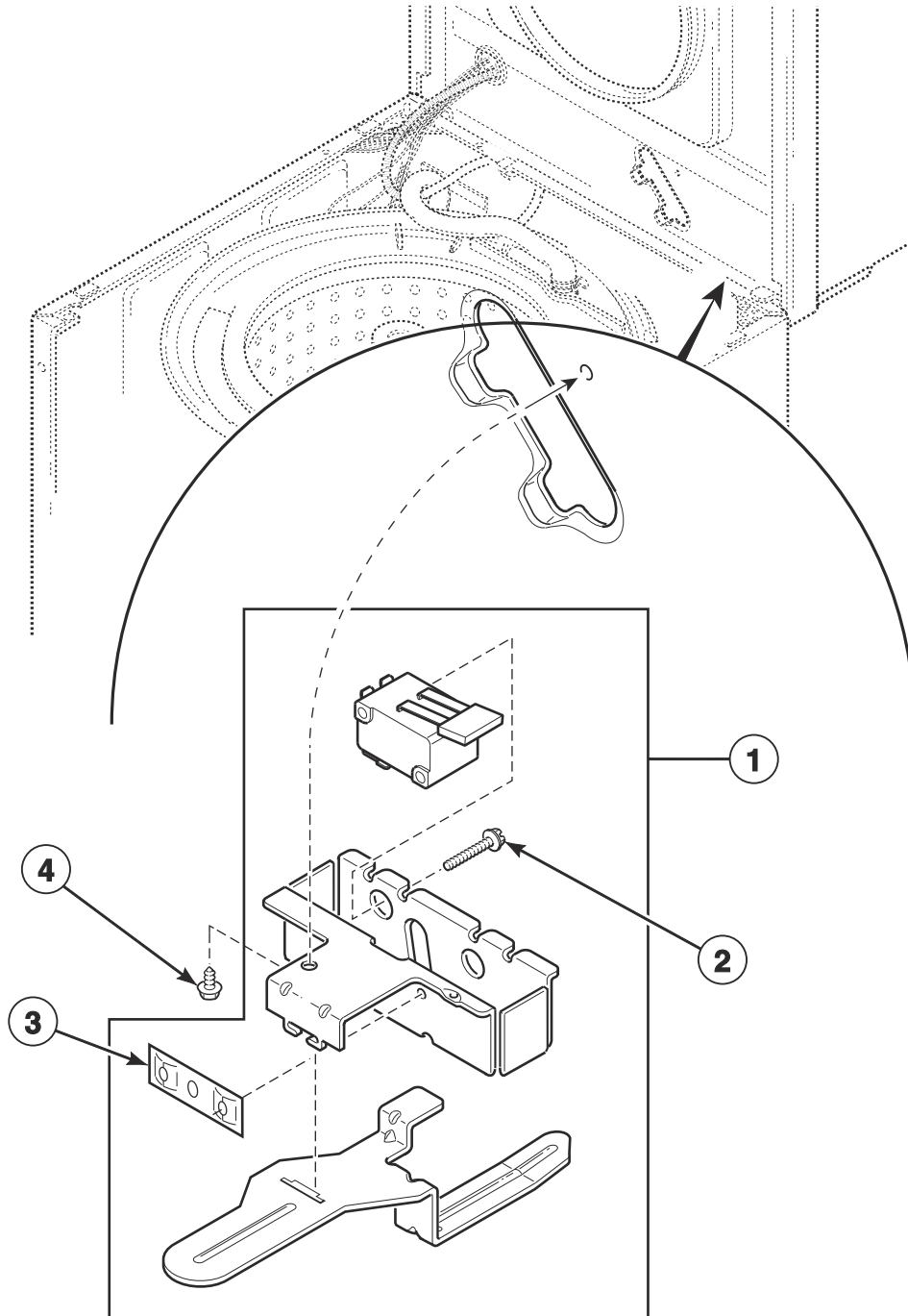


TLW1852P\_204240

# Graphic Panel, Control Support Panel and Controls and Electronic

REF	PART NO.	DESCRIPTION	COMMENTS
1	203962	End Cap	Left; Model AWNE9RSN116TB01
	203730W	End Cap	Left; All other models
2	203708	Control Support Panel	
3	203799	Screw	
4	203961	End Cap	Right; Model AWNE9RSN116TB01
	203729W	End Cap	Right; All other models
5	204852	Control Assembly	Models AWNE9RSN116TB01, AWNE9RSN116TW01 and ZWNE9RSN116CW01; Includes item 6
	204074P	Control Assembly	Includes item 6; All other models
6	204405	Overlay	Model AWNE9RSN115CW14
	204404	Overlay	All other models
7	23962	Screw	
8	35358	Hold-Down Clip	
9	204051	Graphic Panel	Models ZWNE9RSN115CW01 and ZWNE9RSN116CW01
	205576	Graphic Panel	Model AWNE9RSN116TB01
	203712	Graphic Panel	All other models
10	D501086	Screw	
11	804667	Screw	

# Lid Switch Assembly

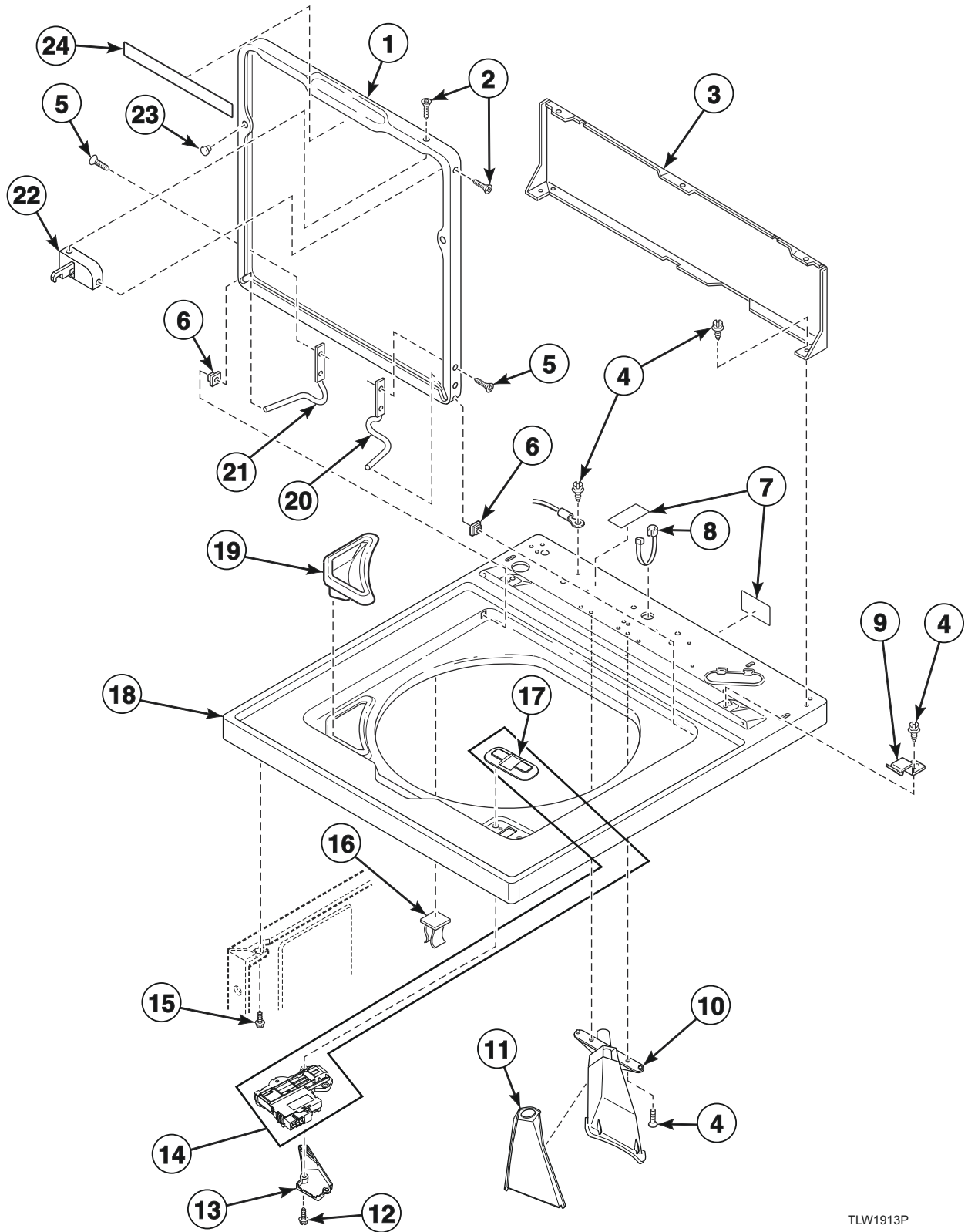


TLW1893P

# Lid Switch Assembly

REF	PART NO.	DESCRIPTION	COMMENTS
1	204696	Lid Switch Kit	
2	M402574	Screw	Use with single switch
	204656	Screw	Use with dual switch
3	M400981	Nut	Use with single switch
	M400979	Nut	Use with dual switch
4	23962	Screw	

# Top, Lid and Hood Back Panel

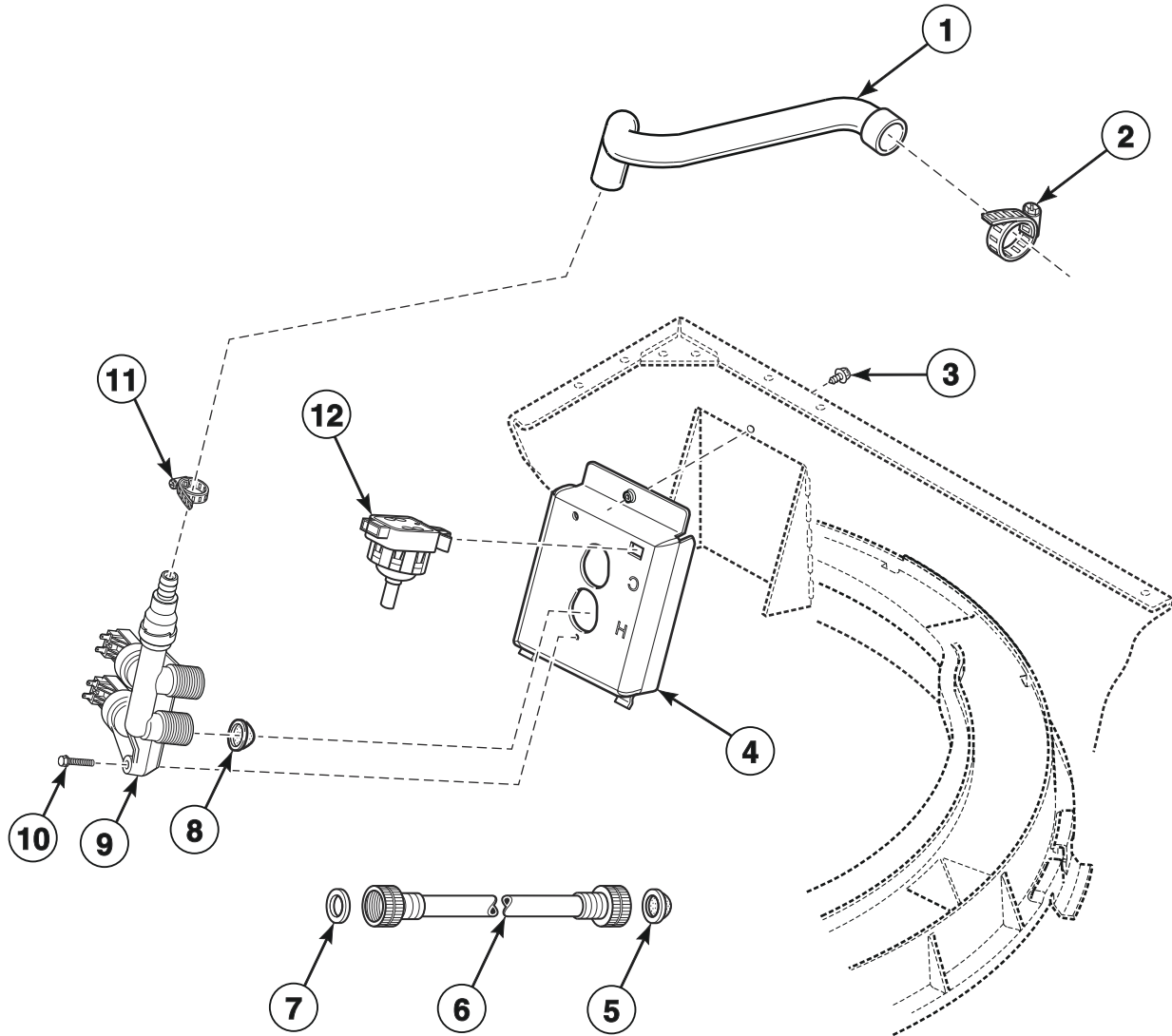


TLW1913P

## Top, Lid and Hood Back Panel

REF	PART NO.	DESCRIPTION	COMMENTS
1	203575BP	Lid	Black; Model AWNE9RSN116TB01
	203575WP	Lid	White; All other models
2	203755	Screw	
3	203733	Hood Back Panel	Models AWNE9RSN115CW01, AWNE9RSN115CW14, AWNE9RSN115TW01 and AWNE9RSN116TB01; All other models starting Serial No. 1810000001
	203915	Hood Back Panel	All other models through Serial Nos. beginning 1809
4	23962	Screw	
5	34337	Screw	
6	33446	Bushing	
7	807561	Warning Label	Models AWN43RSN115TW01, AWN43RSN116TW01, AWN43RSN116TW02, AWN63RSN115TW01, AWN63RSN116TW01, AWNE9RSN115TW01, AWNE9RSN116TB01, AWNE9RSN116TW01, FWN6ZRSN116TW01, LWN63RSN116TW01 and LWN6ZRSN116TW01
	D500316	Warning Label	English/French; All other models
8	38384	Strain Relief	
9	35358	Hold-Down Clip	
10	202900	Inlet Deflector	
11	202894	Inlet Cover	
12	800548	Screw	
13	204038	Drip Tray	
14	205222	Lid Lock Kit	Includes items 17
15	33562	Screw	
16	36519	Hinge Stop Clip	
17	203643	Lid Lock Bezel	
18	203632BP	Top Panel	Black; Model AWNE9RSN116TB01
	203632WP	Top Panel	White; All other models
19	202996	Bleach Dispenser	
20	36437	Lid Hinge	Right
21	36513	Lid Hinge	Left
22	203573	Lid Lock Catch	
23	21685	Bumper	
24	205608	Lid Warning Label	

# Fill Hose, Mixing Valve-to-Tub Cover Hose, Mixing Valve and Bracket



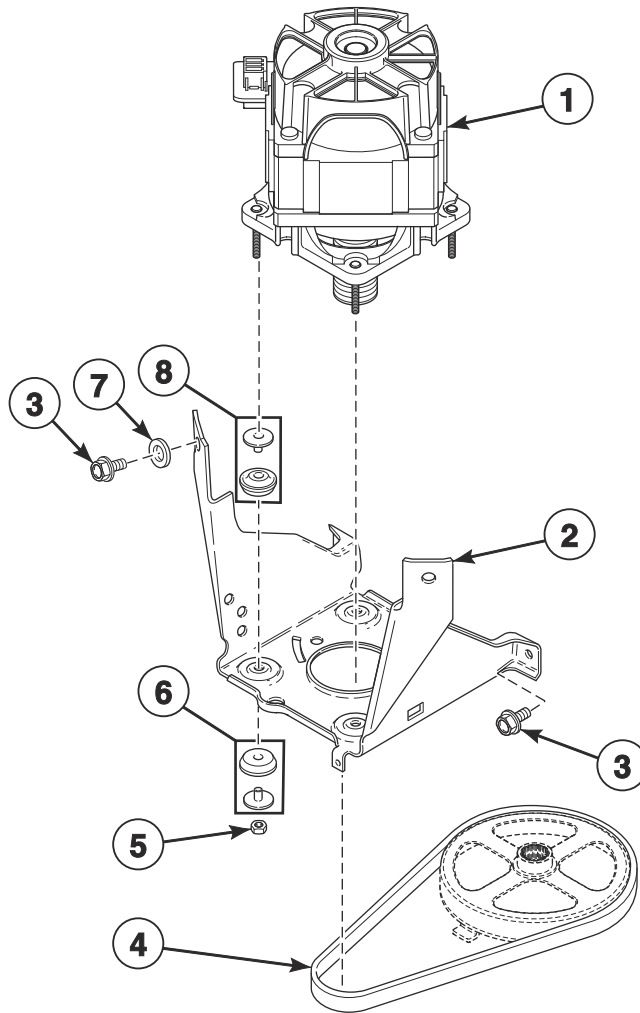
TLW1861P\_204240



## Fill Hose, Mixing Valve-to-Tub Cover Hose, Mixing Valve and Bracket

REF	PART NO.	DESCRIPTION	COMMENTS
1	202884	Valve to Inlet Hose	Through Serial No. 1812016076
	205703	Valve to Inlet Hose	Starting Serial No. 1812016077
2	36801	Hose Clamp	
3	33562	Screw	
4	204117	Mixing Valve Mounting Bracket	Through Serial No. 1812016076
	203558	Mixing Valve Mounting Bracket	Starting Serial No. 1812016077
5	803615	Washer	Filter screen
	802254	Washer	Flow restrictor; Water pressure reducer; Available for water pressure up to but not exceeding 120 psi
6	203719	Fill Hose	4 feet; Marked red for hot water
	203720	Fill Hose	4 feet; Marked blue for cold water
7	20290	Washer	
8	24122	Mixing Valve Screen	Steel mesh
	F8161201	Mixing Valve Screen	Plastic
9	205547P	Mixing Valve	Through Serial No. 1812016076
	203741	Mixing Valve	Starting Serial No. 1812016077
	205765	Dual Filter Mixing Valve Kit	Includes mounting bracket; Can be used in place of 202395P and 203741
10	39397	Screw	
11	36801	Hose Clamp	
12	203843	Pressure Sensor	

# Motor, Mounting Bracket and Belt

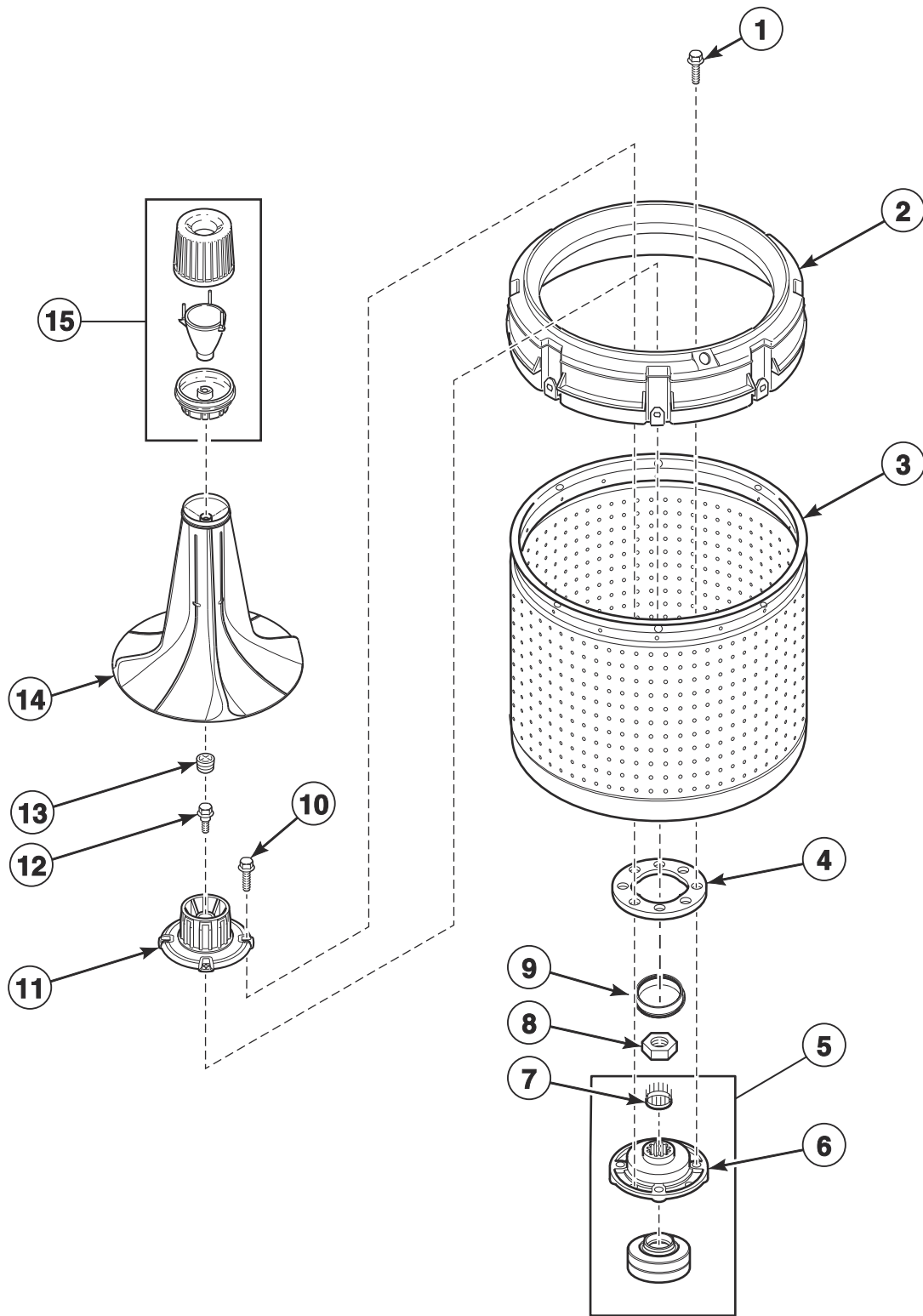


TLW1854P\_204240

## Motor, Mounting Bracket and Belt

REF	PART NO.	DESCRIPTION	COMMENTS
1	204556P	Motor	Models AWN43RSN116TW01, AWN43RSN116TW02, AWN63RSN116TW01, AWNE9RSN116TB01, AWNE9RSN116TW01, FWN6ZRSN116TW01, LWN63RSN116TW01, LWN6ZRSN116TW01, ZWN43RSN116CW01, ZWN63RSN116CW01 and ZWNE9RSN116CW01
	204011P	Motor	All other models
2	200941	Motor Mount Bracket	
3	35369	Screw	
4	204690	Belt	
5	35423	Nut	
6	205402	Motor Mounts and Isolators Kit	Includes lower and upper; Model LWN6ZRSN116TW01
	204062	Motor Mount and Isolator Assembly	Lower; All other models
7	37772	Washer	
8	205402	Motor Mounts and Isolators Kit	Includes lower and upper; Model LWN6ZRSN116TW01
	204063	Motor Mount and Isolator Assembly	Upper; All other models

# Agitator, Fabric Softener Dispenser, Drive Bell, Hub and Lip Seal Kit and Washtub

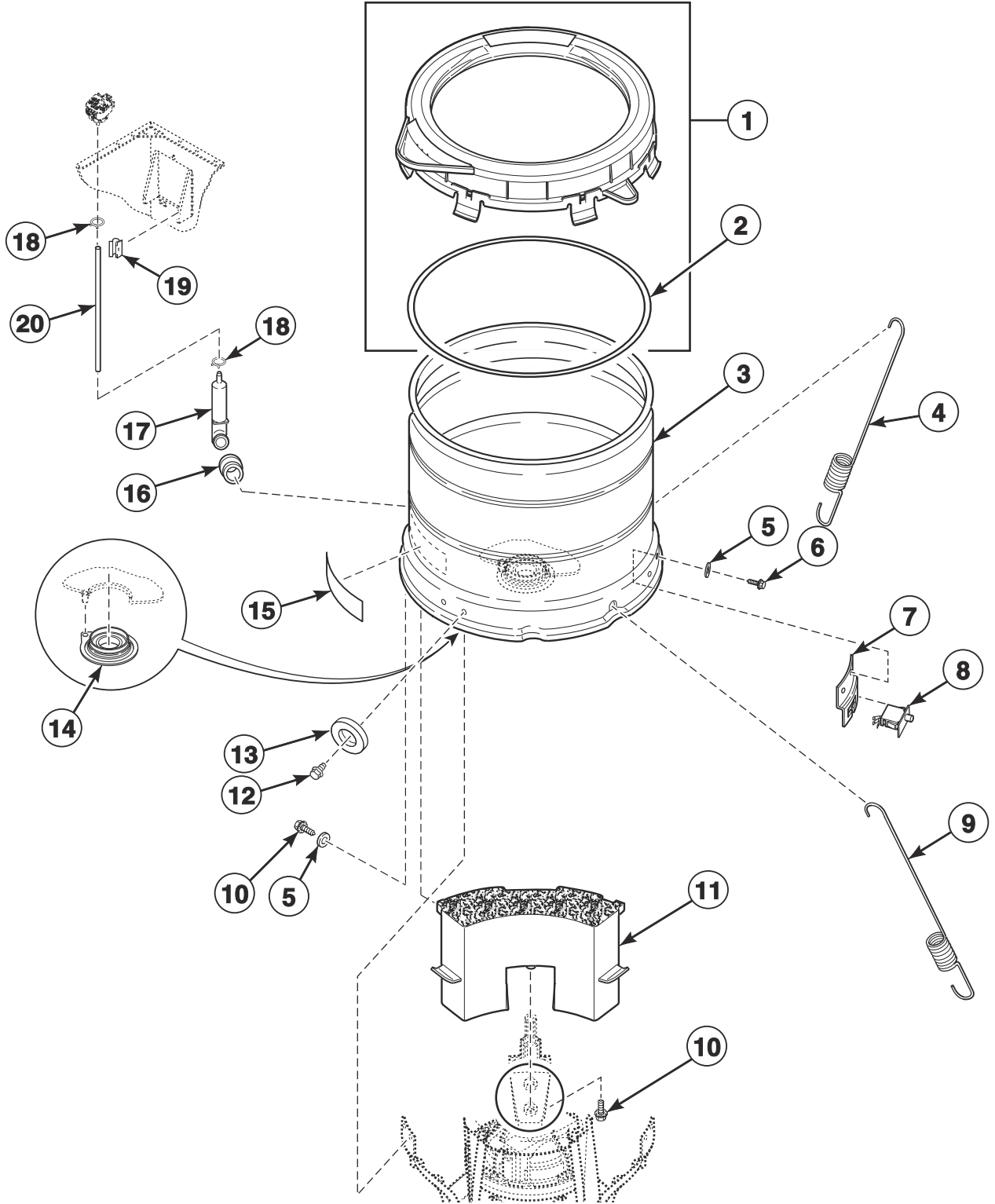


TLW1906P

## Agitator, Fabric Softener Dispenser, Drive Bell, Hub and Lip Seal Kit and Washtub

REF	PART NO.	DESCRIPTION	COMMENTS
	200996P	Sealant	Use with hub and lip seal kit
1	27202	Screw	
2	39837	Balance Ring Assembly	
3	719P3	Washtub Kit	Stainless steel; Includes 39122 Washtub Gasket
4	39122	Washtub Gasket	
5	766P3A	Hub and Lip Seal Kit	<b>DO NOT</b> use any sealant other than 200996P Sealant; Includes installation tool
6	205306	Washtub Hub	
7	29728	Spline Insert	
8	29220	Nut	
9	205061	Drive Bell and Seal Kit	Includes item 11
10	203792	Screw	
11	203851	Drive Bell	
12	39432	Screw	
13	36511	Bell Plug	
14	203852	Straight Agitator	
15	205225	Fabric Softener Dispenser Assembly	

# Outer Tub, Cover, Bearing and Seal Housing, Pressure Hose and Counterweight

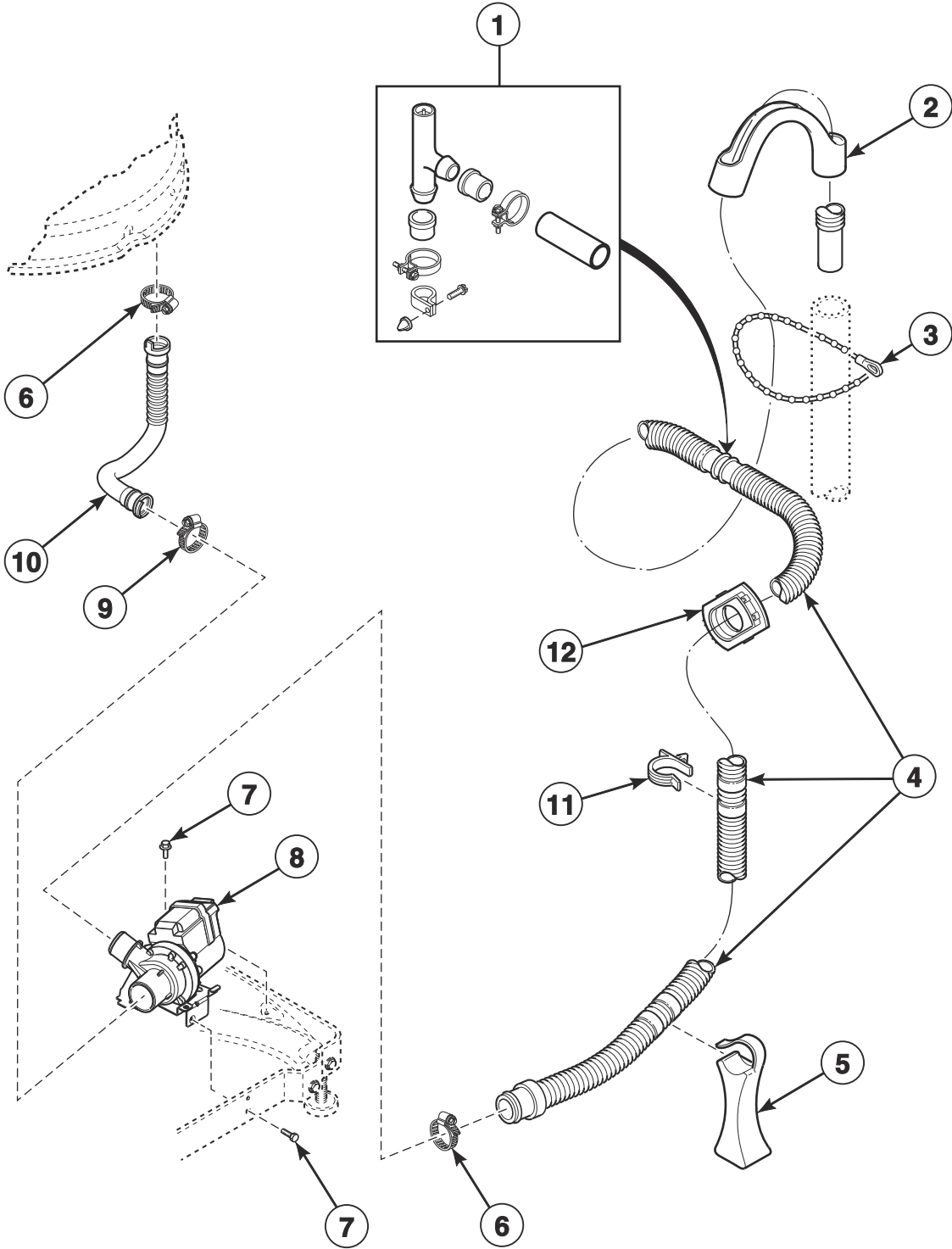


TLW1899P\_204240

## Outer Tub, Cover, Bearing and Seal Housing, Pressure Hose and Counterweight

REF	PART NO.	DESCRIPTION	COMMENTS
1	203968	Tub Cover Assembly	Includes item 2
2	38359	Tub Cover Gasket	
3	203603P	Outer Tub Assembly	
	204383	Outer Tub Kit	Includes item 14 installed
4	37575	Leg Spring	Marked with blue paint; Use to replace four rear springs
5	39249	Washer	
6	35148	Screw	
7	203599	Bracket	Through Serial No. 1905999999
	204661	Bracket	Starting Serial No. 1906000001
8	803415	Out-of-Balance Switch Assembly	Through Serial No. 1905999999
	807384	Out-of-Balance Switch Assembly	Starting Serial No. 1906000001
9	37575	Leg Spring	Marked with blue paint; Use to replace two front springs; If either of two front springs are marked with green paint, must replace BOTH green springs
10	39566	Screw	
11	205612	Counterweight Assembly	
12	35369	Screw	
13	37772	Washer	
14	766P3A	Hub and Lip Seal Kit	
	200996P	Sealant	Use with hub and lip seal kit
15	D500049	Warning Label	Models AWN43RSN115TW01, AWN43RSN116TW01, AWN43RSN116TW02, AWN63RSN115TW01, AWN63RSN116TW01, AWNE9RSN115TW01, AWNE9RSN116TB01, AWNE9RSN116TW01, FWN6ZRSN116TW01, LWN63RSN116TW01 and LWN6ZRSN116TW01
	D500314	Warning Label	English/French; All other models
16	29175	Grommet	
17	205241	Pressure Bulb Assembly	
18	39282	Hose Clamp	
19	21036	Cable Clip	
20	203802	Tubing	

# Drain Pump, Drain Hose and Siphon Break Kit



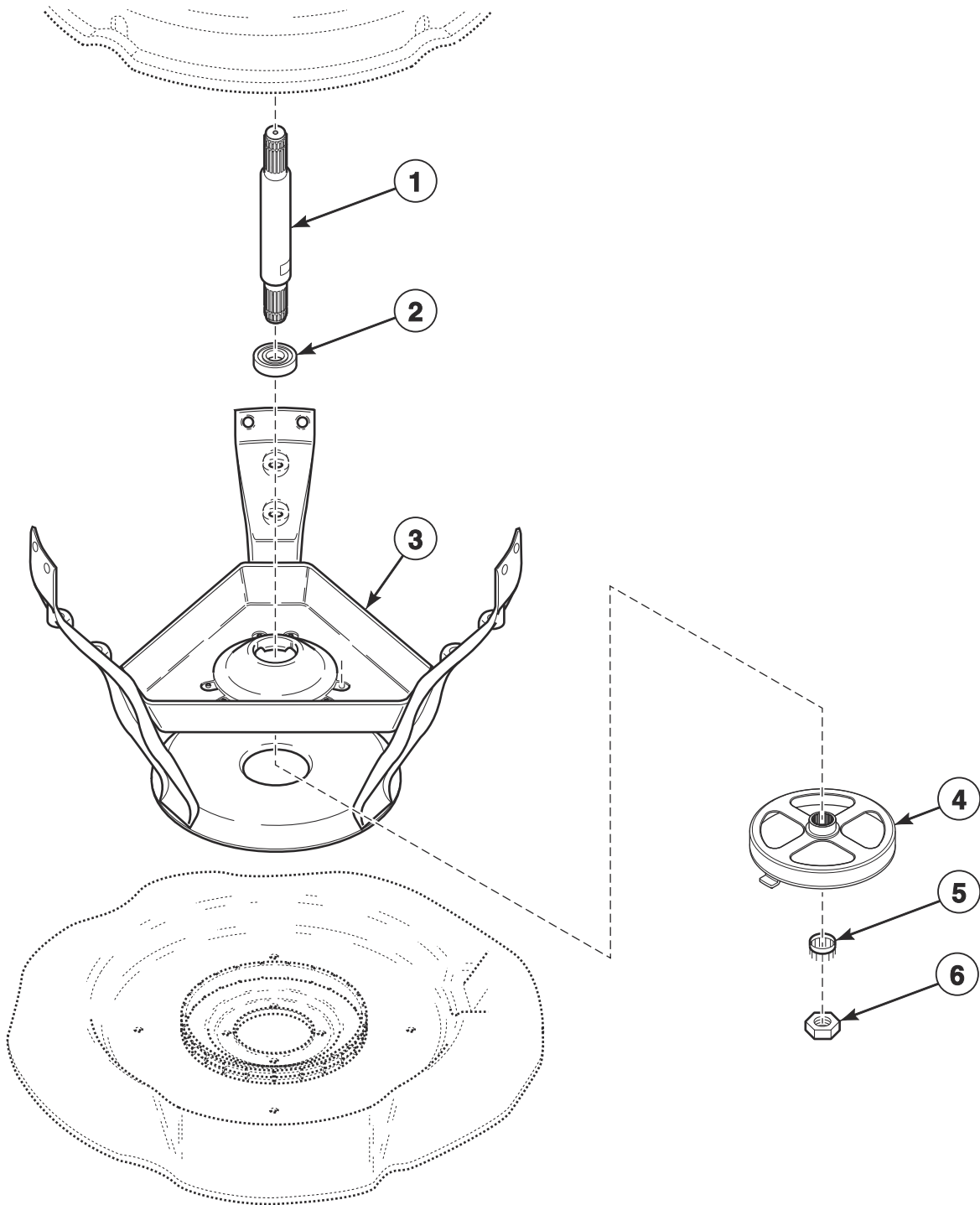
TLW1857P\_204240



## Drain Pump, Drain Hose and Siphon Break Kit

REF	PART NO.	DESCRIPTION	COMMENTS
	204512	Drain Extension Kit	
1	562P3	Siphon Break Kit	Siphon break kit <b>MUST</b> be installed in drain hose if drain receptacle is lower than cabinet top of washer
2	33615	Drain Hose Sleeve	
3	33489	Standpipe Strap	
4	203588	Drain Hose	
5	38732	Hose Stand	
6	F200204	Hose Clamp	
7	31645	Screw	
8	203885	Pump and Bracket	
9	90554	Hose Clamp	
10	203560	Tub-to-Pump Hose	
11	36014	Retainer Clip	
12	32219	Strain Relief	

# Weldment and Bearing Assembly, Drive Shaft and Pulley

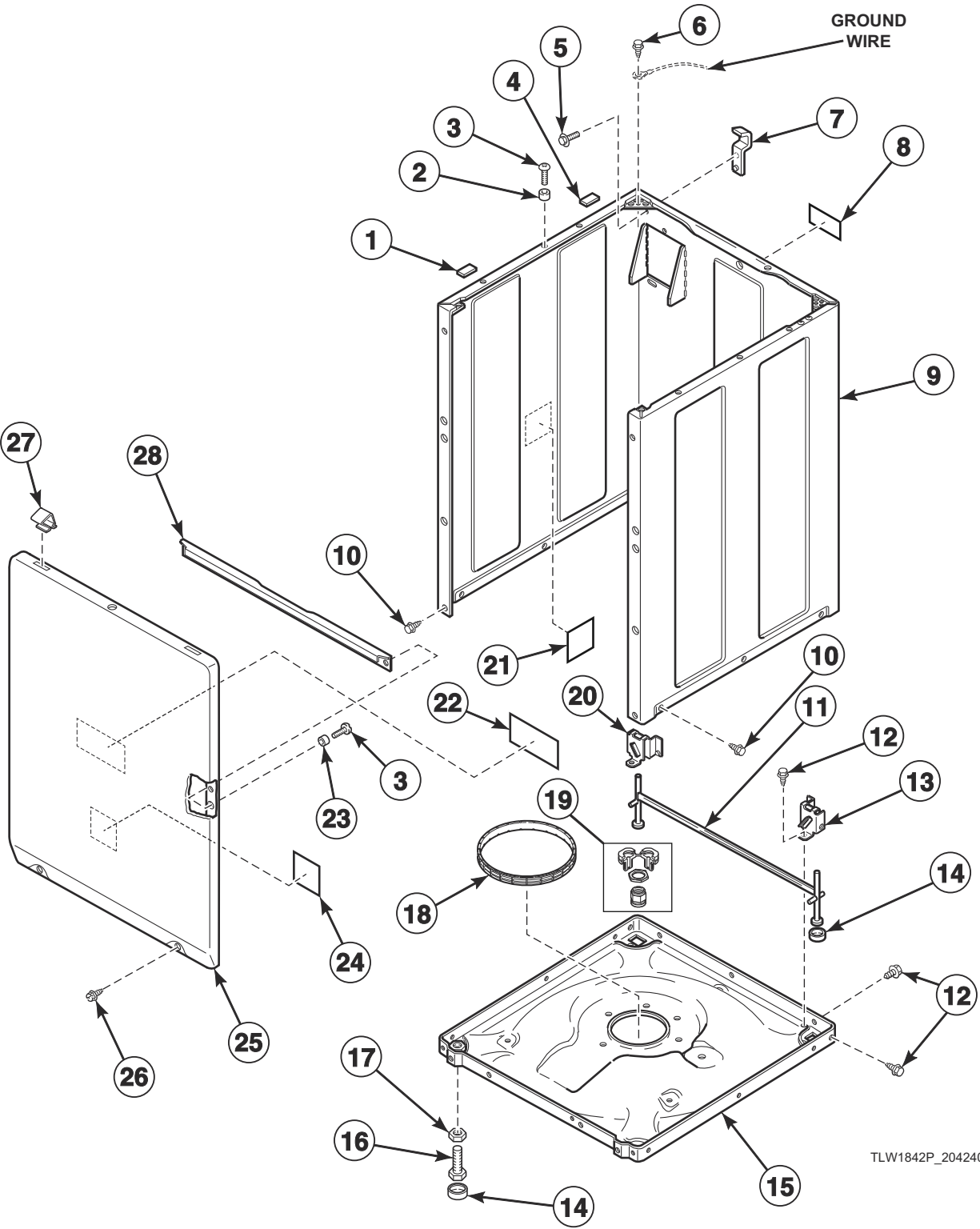


TLW1858P\_204240

## Weldment and Bearing Assembly, Drive Shaft and Pulley

REF	PART NO.	DESCRIPTION	COMMENTS
1	204901	Drive Shaft	
2	28944RP	Lower Bearing	
3	39253	Weldment and Bearing Assembly	
4	204667	Drive Pulley	
5	29728	Spline Insert	
6	29220	Nut	

# Front Panel, Base Assembly and Cabinet Kit

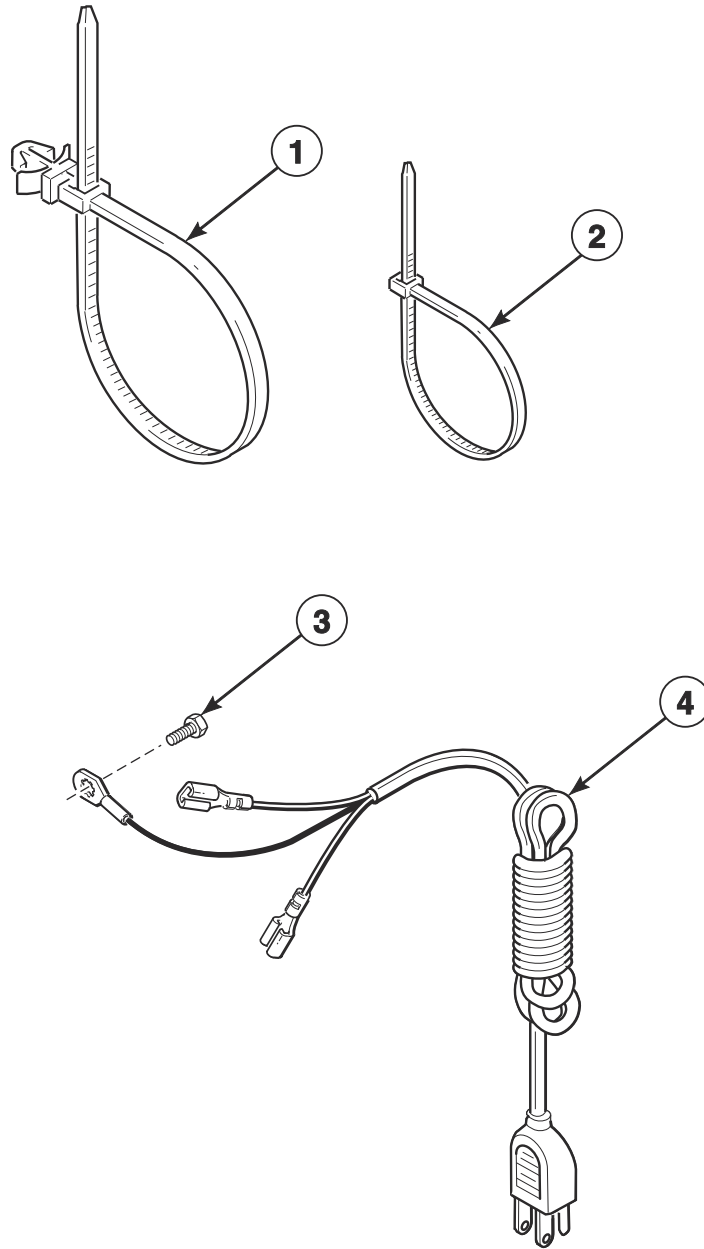


TLW1842P\_204240

## Front Panel, Base Assembly and Cabinet Kit

REF	PART NO.	DESCRIPTION	COMMENTS
	122P4P	Porcelain Touch-Up Paint	White
	205627P	Liquid Touch-Up Paint	Black
1	56128	Bumper Pad	
2	56079	Panel Locator	
3	39733	Screw	
4	36226	Bumper Pad	
5	D501524	Screw	
6	D501086	Screw	
7	204155	Hold-Down Lug Hinge	
8	803260	Warning Label	
9	38612BP	Service Cabinet Kit	Black; Model AWNE9RSN116TB01
	38612WP	Service Cabinet Kit	White; All other models
10	27196	Screw	
11	34443	Leg and Stabilizer Assembly	
12	35148	Screw	
13	36036	Bracket	Right
14	34318	Rubber Foot	
15	39788	Base Assembly	
16	34319	Leveling Leg	
17	21899	Nut	
18	37937	Friction Ring	
19	566P3	Adjustable Leg Extension Kit	
20	36037	Bracket	Left
21	39480	Foam Pad	
22	204552	Front Panel Pad	
23	28102	Panel Locator	
24	203484	Foam Pad	
25	204870	Front Panel Kit	White; Includes pads
	205620	Front Panel Kit	Black; Includes pads
26	38272	Screw	
27	35865	Hold-Down Clip	
28	35097	Front Panel Brace	

# Lead-In Cord and Cable Ties

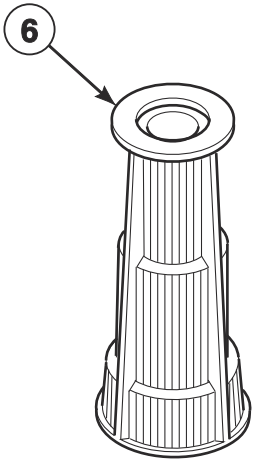
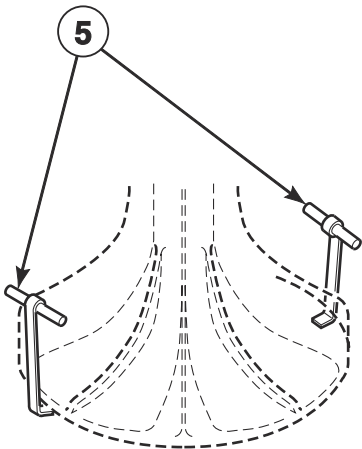
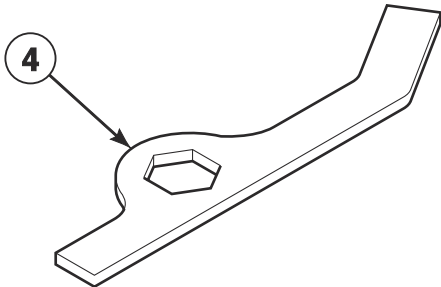
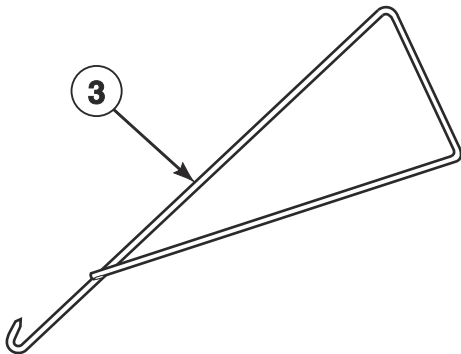
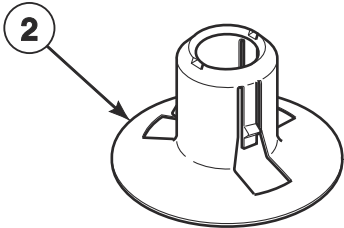
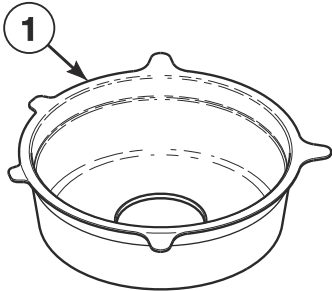


TLW1865P\_204240

## Lead-In Cord and Cable Ties

REF	PART NO.	DESCRIPTION	COMMENTS
1	804724	Cable Tie	6 inches: Push mount
2	F140605	Cable Tie	6 inches
3	D503688	Screw	
4	202777	Lead-In Cord	

# Shipping Brace, Plug and Special Tools



TLW1859P\_204240

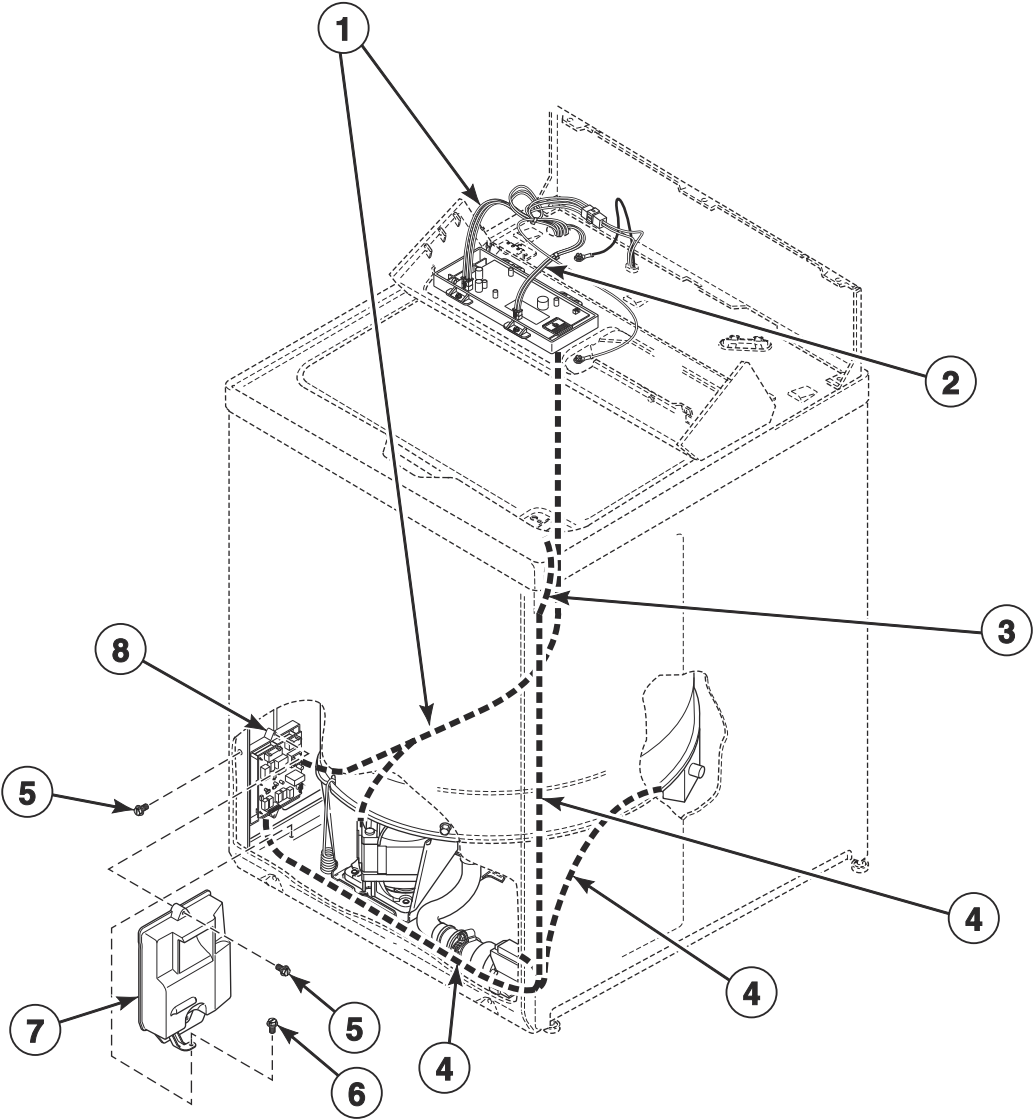


## Shipping Brace, Plug and Special Tools

REF	PART NO.	DESCRIPTION	COMMENTS
	392P4	Shock Adjusting Wrench	
1	204678	Shipping Brace	Install whenever moving washer; Remove before use
2	38149	Shipping Plug	Install before moving washer to prevent tub from damaging cabinet
3	321P4	Spring Hook Tool	For removal of module springs from outer tub
4	306P4	Hex Wrench Tool	For removal of locknut from washtub hub
5	254P4P	Agitator Hook	Set of 2; Use to remove agitator from drive bell
6	293P4	Drive Bell Seal Tool	For installation of 36425 Bell and Transmission Tube Seal

# Output Board, Wire Harnesses and Wires

Models AWNE9RSN115CW01, AWNE9RSN115CW14, AWNE9RSN115TW01, AWNE9RSN116TB01, AWNE9RSN116TW01, ZWNE9RSN115CW01 and ZWNE9RSN116CW01



TLW1860P\_204240

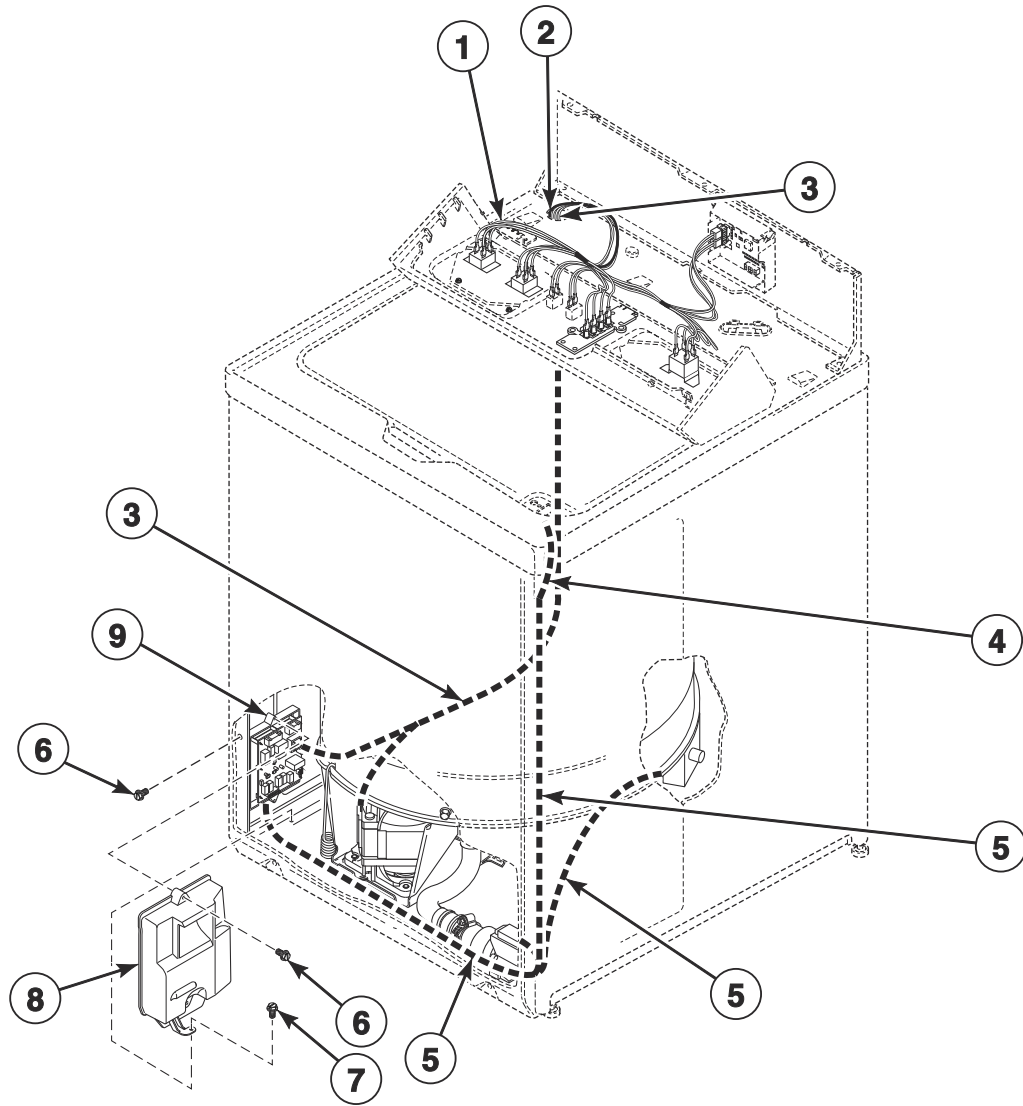
## Output Board, Wire Harnesses and Wires

REF	PART NO.	DESCRIPTION	COMMENTS
1	204715	Control Drive Harness	
2	204572	Pressure Sensor Harness	
3	203664	Lid Lock Harness	Through Serial No. 1905999999
	204717	Lid Lock Harness	Starting Serial No. 1906000001
4	203661	Drain Pump Harness	Through Serial No. 1905999999
	204770	Drain Pump Harness	Starting Serial No. 1906000001
5	203799	Screw	
6	31645	Screw	
7	203612	Drive Cover	
8	203657P	Drive Control Assembly	Through Serial No. 2001999999
	204659P	Drive Control Assembly	Starting Serial No. 2002000001

**NOTE: Individual wires are not available separately. Order complete wire harness, or order wire by the foot. When applying terminals to wires, it is recommended that the terminals be soldered to the wires.**

# Drive Control, Wire Harnesses and Wires

Models AWN43RSN115CW01, AWN43RSN115CW14, AWN43RSN115TW01, AWN43RSN116TW01, AWN43RSN116TW02, AWN63RSN115CW01, AWN63RSN115CW14, AWN63RSN115TW01, AWN63RSN116TW01, FWN6ZRSN116TW01, LWN63RSN116TW01, LWN6ZRSN116TW01, ZWN43RSN115CW01, ZWN43RSN116CW01, ZWN63RSN115CW01 and ZWN63RSN116CW01



TLW1863P\_204240

## Drive Control, Wire Harnesses and Wires

REF	PART NO.	DESCRIPTION	COMMENTS
	45001	18 Gauge Wire	Black; Order wire by foot and terminals as required
	45380	12 Gauge Wire	Orange; Order wire by foot and terminals as required
1	203808	Hood Harness	Used through Serial No. 1809999999
2	204572	Pressure Sensor Harness	Through Serial No. 1809999999
	204113	Pressure Sensor Harness	Starting Serial No. 1810000001
3	204715	Control Drive Harness	
4	203664	Lid Lock Harness	Through Serial No. 1905999999
	204717	Lid Lock Harness	Starting Serial No. 1906000001
5	203661	Drain Pump Harness	Through Serial No. 1905999999
	204770	Drain Pump Harness	Starting Serial No. 1906000001
6	203799	Screw	
7	31645	Screw	
8	203612	Drive Cover	
9	204659P	Drive Control Assembly	Models AWN43RSN116TW01, AWN43RSN116TW02, AWN63RSN116TW01, FWN6ZRSN116TW01, LWN63RSN116TW01, LWN6ZRSN116TW01, ZWN43RSN116CW01 and ZWN63RSN116CW01
	203657P	Drive Control Assembly	All other models

**NOTE: Individual wires are not available separately. Order complete wire harness, or order wire by the foot. When applying terminals to wires, it is recommended that the terminals be soldered to the wires.**



# Parts Index

## A

Adjustable Leg Extension Kit 566P3 .....	27
Agitator Hook 254P4P .....	31

## B

Balance Ring Assembly 39837 .....	19
Base Assembly 39788 .....	27
Bell Plug 36511 .....	19
Belt 204690 .....	17
Bleach Dispenser 202996 .....	13
Bracket 203599 .....	21
204661 .....	21
36036 .....	27
36037 .....	27
Bumper 21685 .....	13
Bumper Pad 36226 .....	27
56128 .....	27
Bushing 33446 .....	13

## C

Cable Clip 21036 .....	21
Cable Tie F140605 .....	29
804724 .....	29
Capacitive Touch Switch 204266 .....	7
Control Assembly 204064P .....	7
204065P .....	7
204074P .....	9
204141P .....	5
204163P .....	5
204852 .....	9
205076P .....	7
205078P .....	7
205202P .....	7
205337 .....	7
205351 .....	7
205353 .....	7
Control Drive Harness 204715 .....	33, 35
Control Support Panel 203708 .....	9

203840 .....	5, 7
Counterweight Assembly 205612 .....	21
Cycle Selector Switch 203976 .....	5
203977 .....	5

## D

Drain Extension Kit 204512 .....	23
Drain Hose 203588 .....	23
Drain Hose Sleeve 33615 .....	23
Drain Pump Harness 203661 .....	33, 35
204770 .....	33, 35
Drip Tray 204038 .....	13
Drive Bell 203851 .....	19
Drive Bell and Seal Kit 205061 .....	19
Drive Bell Seal Tool 293P4 .....	31
Drive Control Assembly 203657P .....	33, 35
204659P .....	33, 35
Drive Cover 203612 .....	33, 35
Drive Pulley 204667 .....	25
Drive Shaft 204901 .....	25
Dual Filter Mixing Valve Kit 205765 .....	15

## E

End Cap 203729W .....	5, 7, 9
203730W .....	5, 7, 9
203961 .....	9
203962 .....	9

## F

Fabric Softener Dispenser Assembly 205225 .....	19
Fill Hose 203719 .....	15
203720 .....	15
Foam 204365 .....	7
Foam Pad 203484 .....	27

N/A items do not appear in index.

39480 .....	27
Friction Ring 37937 .....	27
Front Panel Brace 35097 .....	27
Front Panel Kit 204870 .....	27
205620 .....	27
Front Panel Pad 204552 .....	27

## G

Graphic Panel 203712 .....	9
203735 .....	5
203989 .....	5
204009 .....	5
204010 .....	5
204051 .....	9
204586 .....	7
204587 .....	7
204609 .....	7
204610 .....	7
204910 .....	7
204912 .....	7
204996 .....	7
204997 .....	7
204998 .....	7
204999 .....	7
205109 .....	7
205182 .....	7
205183 .....	7
205355 .....	7
205356 .....	7
205418 .....	7
205576 .....	9
Grommet 29175 .....	21

## H

Hex Wrench Tool 306P4 .....	31
Hinge Stop Clip 36519 .....	13
Hold-Down Clip 35358 .....	5, 7, 9, 13
35865 .....	27
Hold-Down Lug Hinge 204155 .....	27
Hood Back Panel 203733 .....	13
203915 .....	13
Hood Harness 203808 .....	35
Hose Clamp F200204 .....	23
36801 .....	15
39282 .....	21
90554 .....	23
Hose Stand 38732 .....	23

Hub and Lip Seal Kit 766P3A .....	19, 21
--------------------------------------	--------

## I

Inlet Cover 202894 .....	13
Inlet Deflector 202900 .....	13

## K

Knob Assembly 205106 .....	7
806597 .....	5, 7

## L

Lead-In Cord 202777 .....	29
LED Display Assembly 204396 .....	5
204488 .....	7
Leg and Stabilizer Assembly 34443 .....	27
Leg Spring 37575 .....	21
Leveling Leg 34319 .....	27
Lid 203575BP .....	13
203575WP .....	13
Lid Hinge 36437 .....	13
36513 .....	13
Lid Lock Bezel 203643 .....	13
Lid Lock Catch 203573 .....	13
Lid Lock Harness 203664 .....	33, 35
204717 .....	33, 35
Lid Lock Kit 205222 .....	13
Lid Switch Kit 204696 .....	11
Lid Warning Label 205608 .....	13
Liquid Touch-Up Paint 205627P .....	27
Lower Bearing 28944RP .....	25

## M

Mixing Valve 203741 .....	15
205547P .....	15

N/A items do not appear in index.



Mixing Valve Mounting Bracket	
203558 .....	15
204117 .....	15
Mixing Valve Screen	
F8161201 .....	15
24122 .....	15
Motor	
204011P .....	17
204556P .....	17
Motor Mount and Isolator Assembly	
204062 .....	17
204063 .....	17
Motor Mount Bracket	
200941 .....	17
Motor Mounts and Isolators Kit	
205402 .....	17

## N

Nut	
M400979 .....	11
M400981 .....	11
21899 .....	27
29220 .....	19, 25
35423 .....	17

## O

Outer Tub Assembly	
203603P .....	21
Outer Tub Kit	
204383 .....	21
Out-of-Balance Switch Assembly	
803415 .....	21
807384 .....	21
Overlay	
204404 .....	9
204405 .....	9

## P

Panel Locator	
28102 .....	27
56079 .....	27
Porcelain Touch-Up Paint	
122P4P .....	27
Pressure Bulb Assembly	
205241 .....	21
Pressure Sensor	
203843 .....	15
Pressure Sensor Harness	
204113 .....	35
204572 .....	33, 35
Pump and Bracket	
203885 .....	23
Push Button Switch	
203935 .....	5

## R

Retainer Clip	
36014 .....	23
Rocker Switch	
203934 .....	5
Rubber Foot	
34318 .....	27

## S

Screw	
D501086 .....	5, 9, 27
D501524 .....	27
D503688 .....	29
M402574 .....	11
203755 .....	13
203792 .....	19
203799 .....	5, 7, 9, 33, 35
204342 .....	7
204503 .....	7
204656 .....	11
23962 .....	5, 7, 9, 11, 13
27196 .....	27
27202 .....	19
31645 .....	23, 33, 35
33562 .....	13, 15
34337 .....	13
35148 .....	21, 27
35369 .....	17, 21
38272 .....	27
39397 .....	15
39432 .....	19
39566 .....	21
39733 .....	27
800548 .....	7, 13
804608 .....	5
804667 .....	9
807075 .....	7
Sealant	
200996P .....	19, 21
Service Cabinet Kit	
38612BP .....	27
38612WP .....	27
Shipping Brace	
204678 .....	31
Shipping Plug	
38149 .....	31
Shock Adjusting Wrench	
392P4 .....	31
Siphon Break Kit	
562P3 .....	23
Spline Insert	
29728 .....	19, 25
Spring Hook Tool	
321P4 .....	31
Standpipe Strap	
33489 .....	23
Straight Agitator	
203852 .....	19
Strain Relief	
32219 .....	23
38384 .....	13

N/A items do not appear in index.

---

## T

Temperature Switch	
35115 .....	5
36335 .....	5
Top Panel	
203632BP .....	13
203632WP .....	13
Tub Cover Assembly	
203968 .....	21
Tub Cover Gasket	
38359 .....	21
Tubing	
203802 .....	21
Tub-to-Pump Hose	
203560 .....	23

---

## V

Valve to Inlet Hose	
202884 .....	15
205703 .....	15

---

## W

Warning Label	
D500049 .....	21
D500314 .....	21
D500316 .....	13
803260 .....	27
807561 .....	13
Washer	
20290 .....	15
37772 .....	17, 21
39249 .....	21
802254 .....	15
803615 .....	15
Washtub Gasket	
39122 .....	19
Washtub Hub	
205306 .....	19
Washtub Kit	
719P3 .....	19
Weldment and Bearing Assembly	
39253 .....	25
Wire, 12 Gauge	
45380 .....	35
Wire, 18 Gauge	
45001 .....	35

---