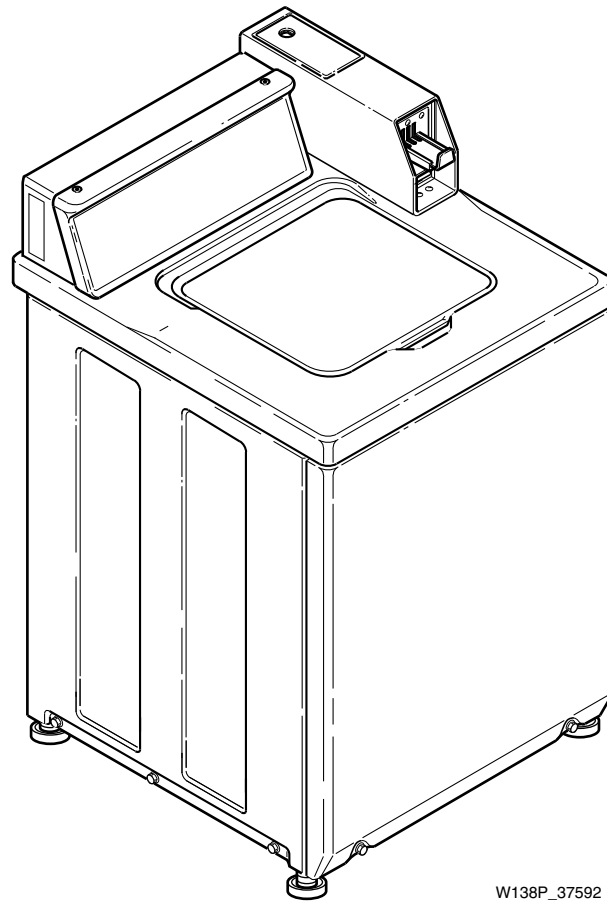


Automatic Washers

Refer to Page 3 for Model Numbers



W138P_37592

Table of Contents

Title	Page
Parts Ordering Information.....	2
Serial Plate Location	2
Model Identification	3
Timer, Case and Plate	4
Timer, Meter Case and Service Door	6
Control Panel, Control Hood and Controls.....	8
Cabinet Top and Loading Door	10
Out-of-Balance Switch	12
Inlet Hose, Fill Hose, Mixing Valve and Mounting Bracket.....	14
Agitator, Drive Bell, Seal Kit, Washtub and Hub	16
Outer Tub, Cover and Pressure Hose	18
Drain Hose and Siphon Break Kit	20
Motor, Mounting Bracket, Belt, Pump and Idler Assembly.....	22
Bearing Housing, Brake, Pulley and Pivot Dome.....	24
Transmission Assembly and Balance Ring.....	26
34526P Transmission Assembly.....	28
Front Panel, Base Assembly and Cabinet Assembly.....	30
Mixing Valve and Motor Disconnect Blocks, Terminals and Terminal Extractor Tool.....	32
Power Cord and Terminals	34
Special Tools (Drawing 1 of 2).....	36
Special Tools (Drawing 2 of 2).....	38
Wire Harnesses and Wires	40
Parts Index.....	41

© Copyright 2024, Alliance Laundry Systems LLC

All rights reserved. No part of the contents of this book may be reproduced or transmitted in any form or by any means without the expressed written consent of the publisher.

Parts Ordering Information

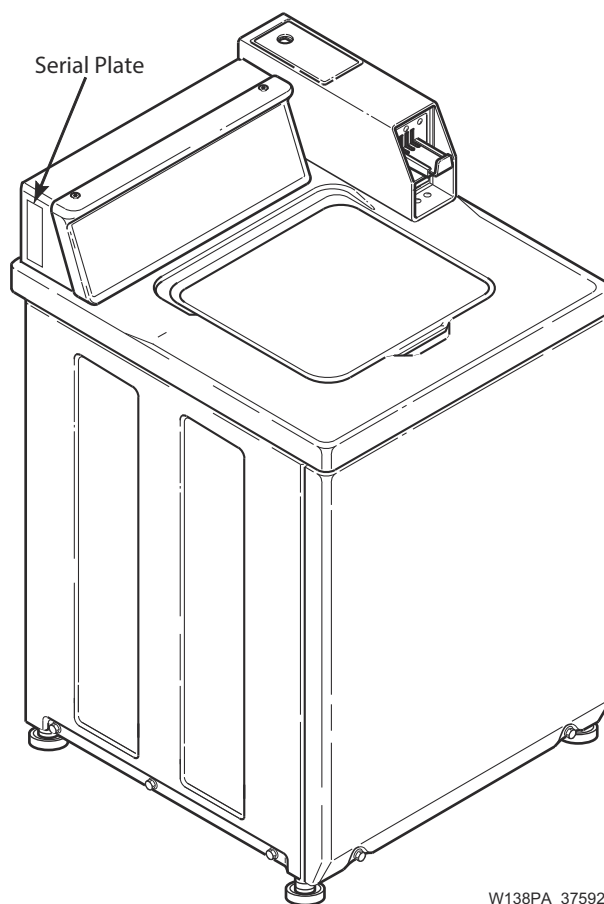
If literature or replacement parts are required, contact the source from whom the machine was purchased or contact Alliance Laundry Systems at (920) 748-3121 for the name and address of the nearest authorized parts distributor.

For technical assistance, call the number listed below:

(920) 748-3121 Ripon, Wisconsin

Serial Plate Location

When calling or writing about your product, be sure to mention model and serial numbers. Model and serial numbers are located on serial plate(s) as shown.



W138PA_37592

Model Identification

Information in this manual is applicable to these washer models:

DWA021*A

ZA2020*A

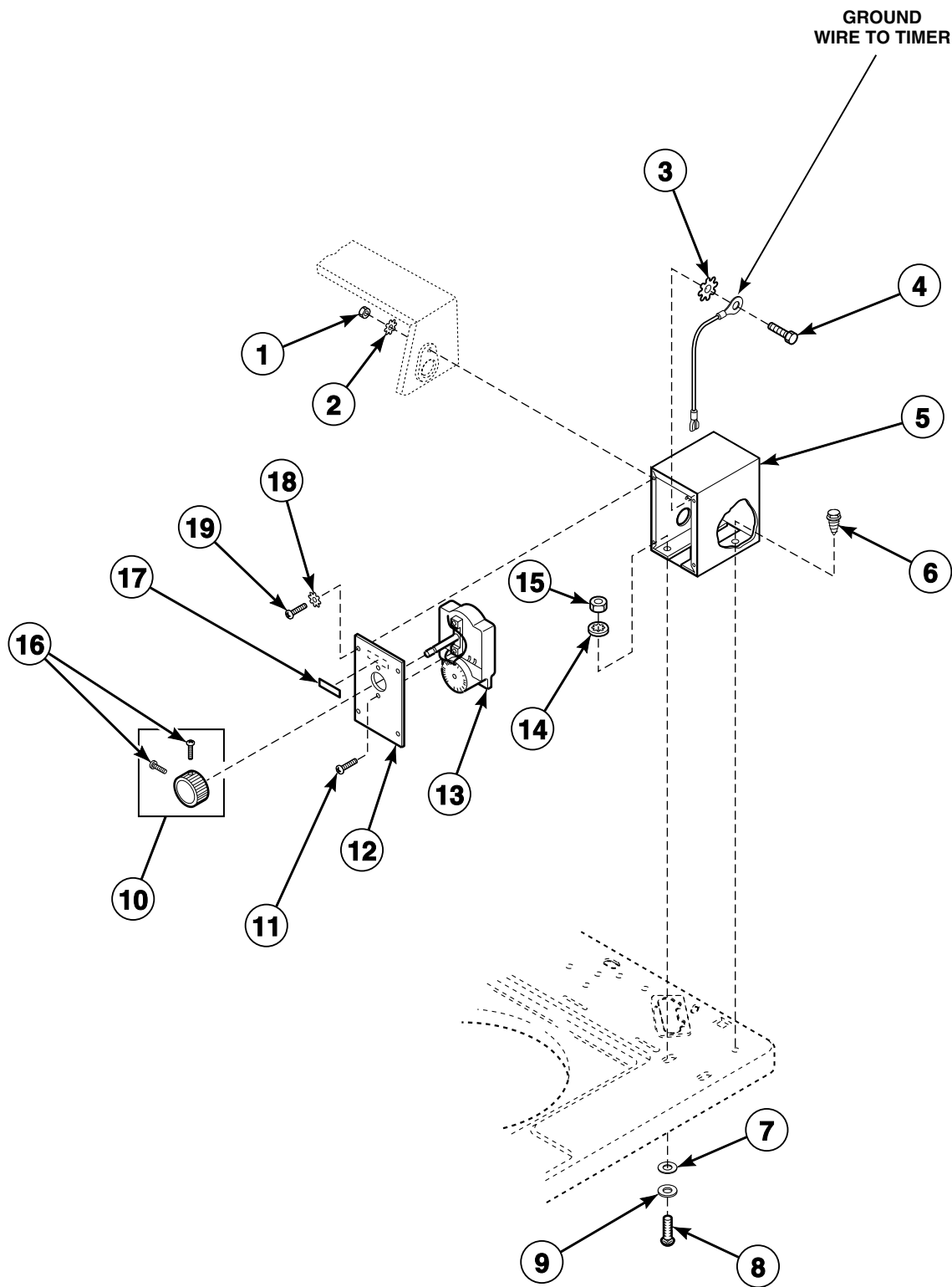
ZA2110*A

ZA2120*A

* Add Letter To Designate Color. L - Almond W - White

Timer, Case and Plate

Models DWA021*A and ZA2020*A



W116PZ3B_37592

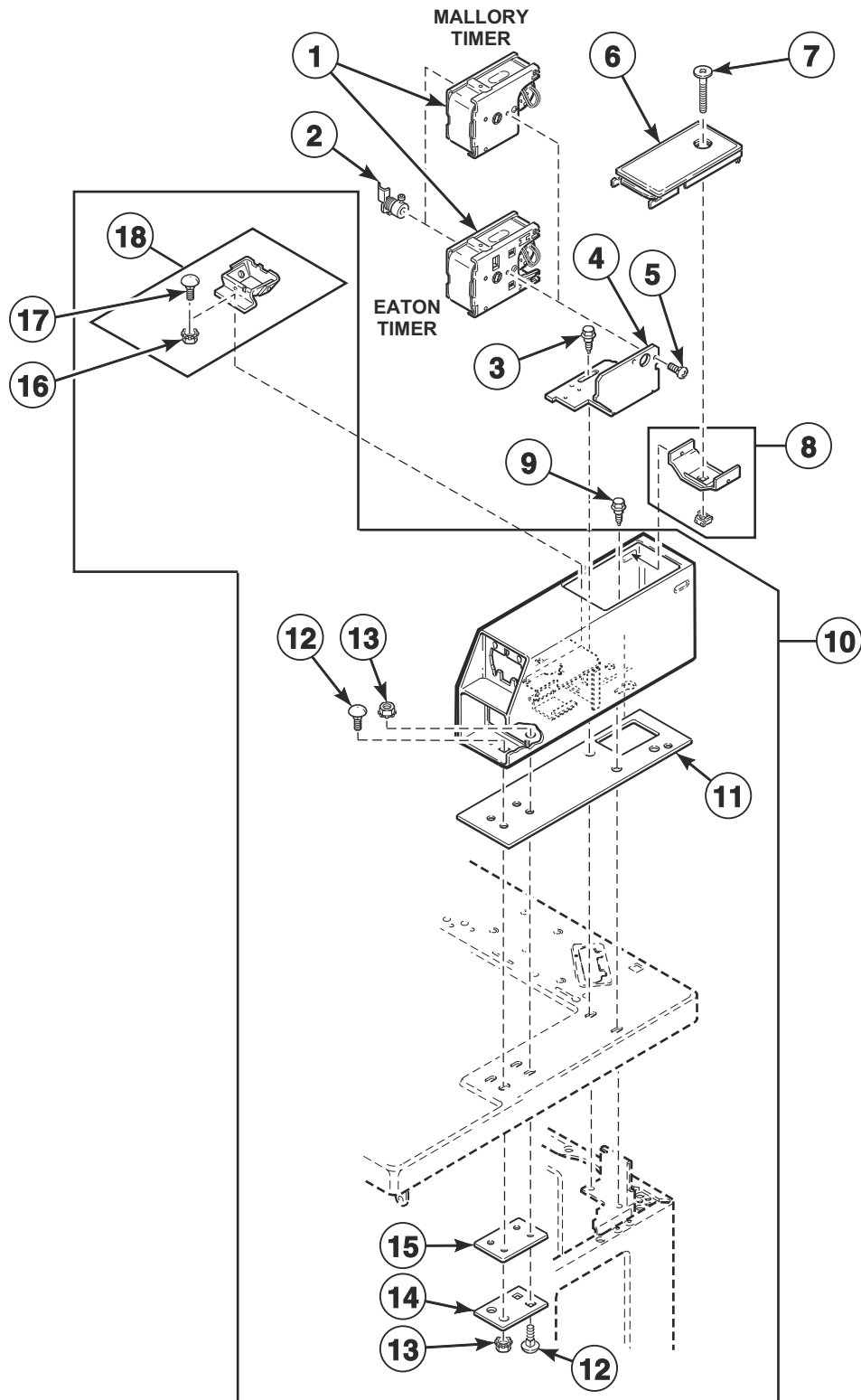
Timer, Case and Plate

REF	PART NO.	DESCRIPTION	COMMENTS
1	52566	Nut	
2	02431	Washer	
3	M400017	Washer	
4	02916	Screw	
5	37733W	Timer Case Assembly	
6	23962	Screw	
7	23225	Washer	Vinyl
8	203798	Bolt	
9	30627	Washer	
10	26256	Timer Knob Assembly	
11	27328	Screw	
12	31864W	Timer Plate	
13	28716P	Timer	
14	21456	Washer	
15	20275	Nut	
16	80399	Screw	
17	53738	Push-to-Start Sticker	
18	21734	Washer	
19	51778	Screw	

* Add Letter To Designate Color. L - Almond W - White

Timer, Meter Case and Service Door

Models ZA2110*A and ZA2120*A

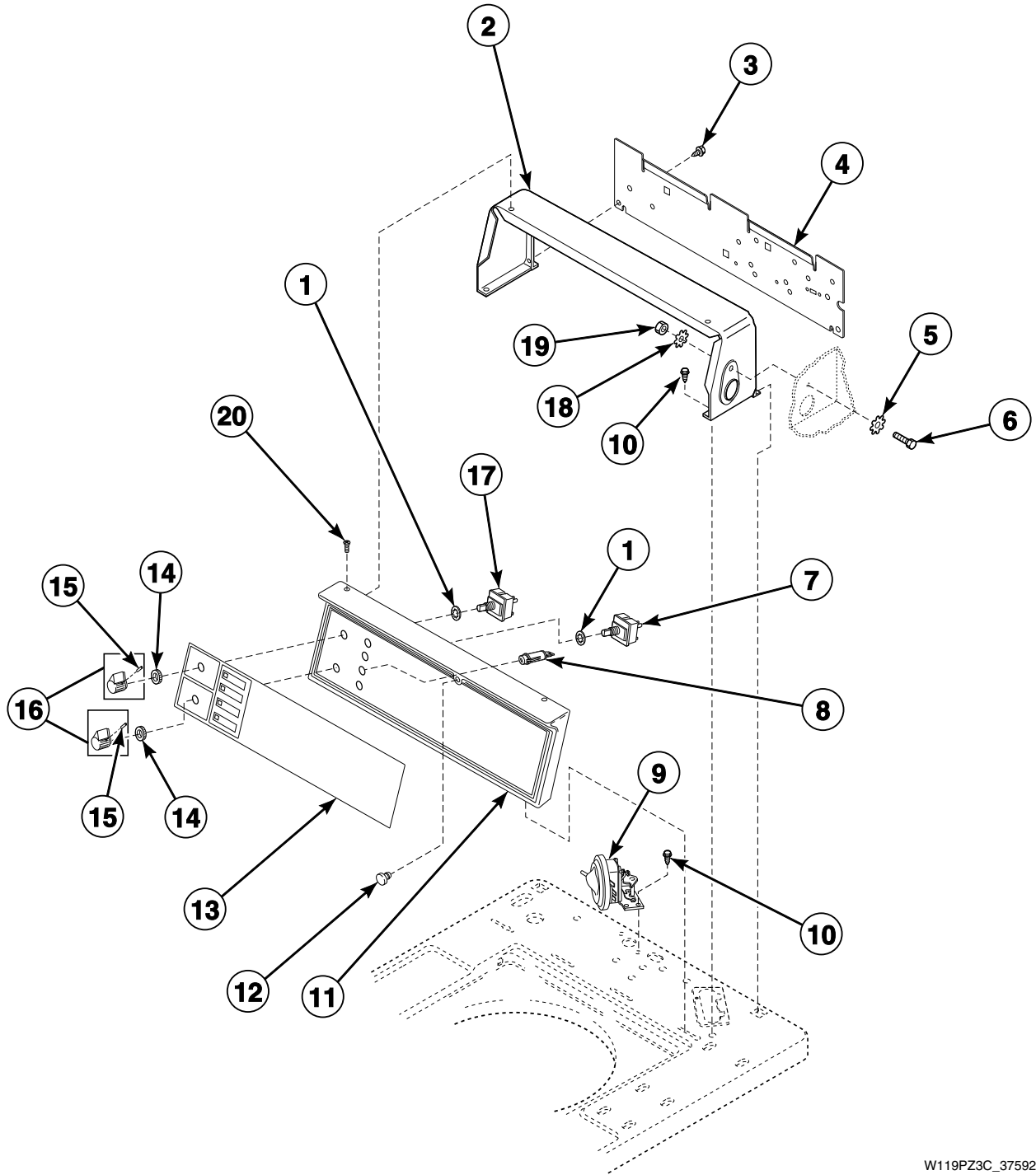


W401PZ3A_37592

Timer, Meter Case and Service Door

REF	PART NO.	DESCRIPTION	COMMENTS
1	31111P	Timer	Although these timers differ in appearance, they are completely interchangeable when identified by the same part number.
2	29503	Clutch Assembly	
3	36048	Screw	
4	35249	Timer Bracket	
5	21720	Screw	
6	35798WP	Service Door Assembly	White
	35798LP	Service Door Assembly	Almond
7	D503673	Screw	
8	204616	Meter Case Locking Bracket Kit	
9	36048	Screw	
10	524P3W	Meter Case and Funnel Kit	White; Includes items 11-15 and 18
	524P3L	Meter Case and Funnel Kit	Almond; Includes items 11-15 and 18
11	26354	Meter Case Gasket	
12	203798	Bolt	
13	29786	Nut	
14	35525	Meter Case Lockdown Bracket	
15	35526	Meter Case Bracket Gasket	
16	29796	Nut	
17	29651	Bolt	
18	523P3	Coin Funnel Kit	Includes items 16 and 17

Control Panel, Control Hood and Controls



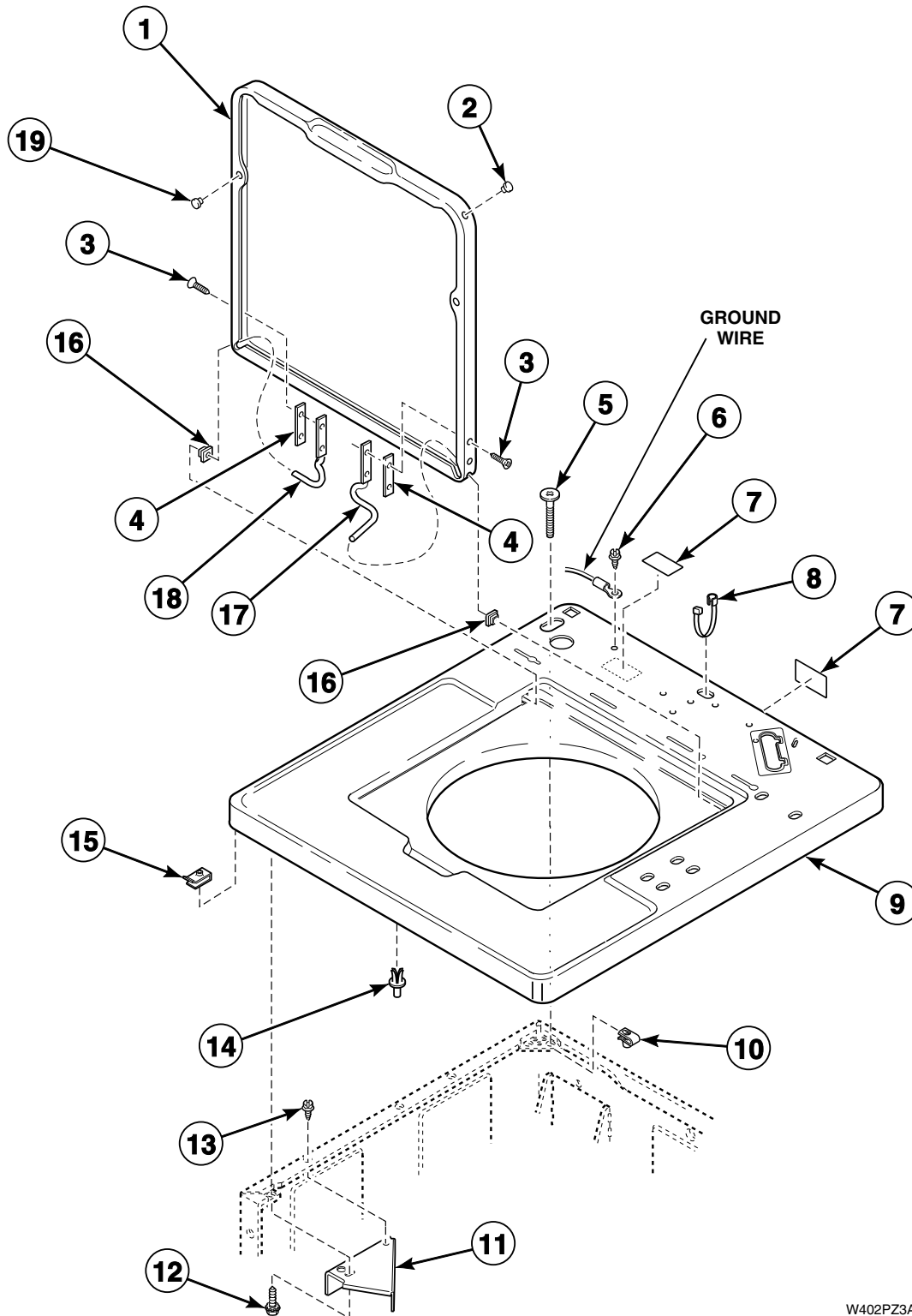
W119PZ3C_37592

Control Panel, Control Hood and Controls

REF	PART NO.	DESCRIPTION	COMMENTS
1	91029	Washer	
2	37075W	Control Hood	White
	37075L	Control Hood	Almond
3	23222	Screw	
4	38267	Hood Back Panel	
5	M400017	Washer	
6	02916	Screw	
7	27762	Switch	2 Speed Models
8	32464	Light	Models DWA021*A and ZA2020*A; 4 required
	32464	Light	All other models; Unbalanced Load
	32466	Light	All other models; In Use
	32464	Light	All other models; Rinse or Spin
9	35889P	Pressure Switch	
10	23962	Screw	
11	36521WP	Control Panel and Bracket Assembly	White
	36521LP	Control Panel and Bracket Assembly	Almond
12	202469	Control Panel Bumper	
13	N/A	Control Panel Overlay	Model DWA021*A
	35960	Graphic Overlay	Models ZA2020*A and ZA2120*A
	35961	Graphic Overlay	Model ZA2110*A
14	24205	Nut	
15	N/A	Setscrew	
16	39897	Switch Knob	
17	27761	Switch	
18	02431	Washer	
19	52566	Nut	
20	D500226	Screw	Phillips Head
	35528	Screw	Torx Head; Optional, for added security; Refer to <i>Special Tools</i> section for Torx Bit and Holder

N/A = Part no longer available

Cabinet Top and Loading Door



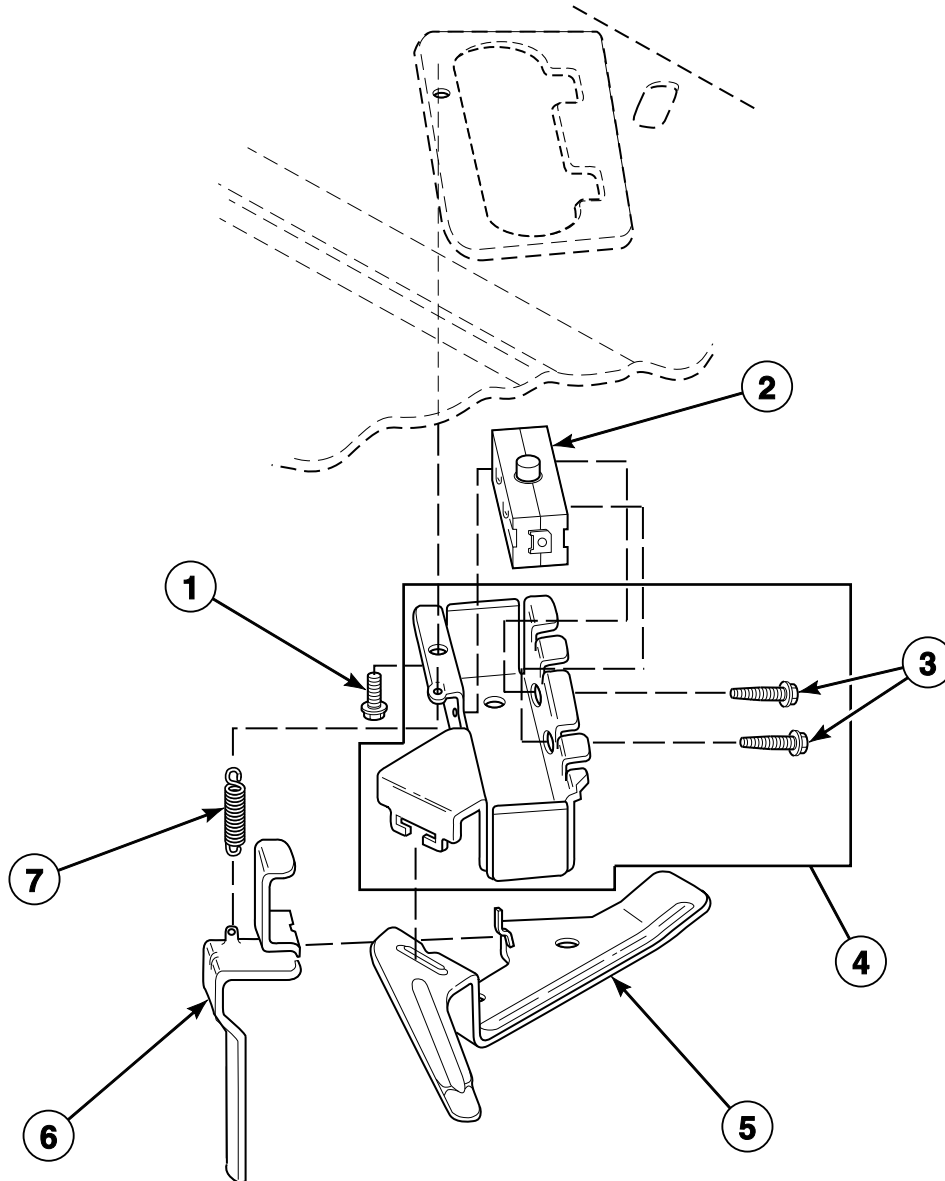
W402PZ3A_37592

Cabinet Top and Loading Door

REF	PART NO.	DESCRIPTION	COMMENTS
1	204615W	Lid	White
2	34153	Lid Plug	
3	34337	Screw	
4	34338	Hinge Gasket	
5	D503673	Screw	Optional; For added security
6	52909	Screw	
7	D505281	Disconnect Power Warning Label	
8	38384	Strain Relief	
9	36122WP	Top Assembly	White; Metered models
	36273WP	Top Assembly	White; Nonmetered models
10	27222	Nut	Optional; For added security
11	36034	Director Bracket	
12	23008	Screw	
13	N/A	Screw	
14	56534	Support Barrel	
15	36020	Nut	
16	36474	Hinge Bushing	
17	36437	Lid Hinge	Right
18	36438	Lid Hinge	Left
19	21685	Bumper	

N/A = Part no longer available

Out-of-Balance Switch

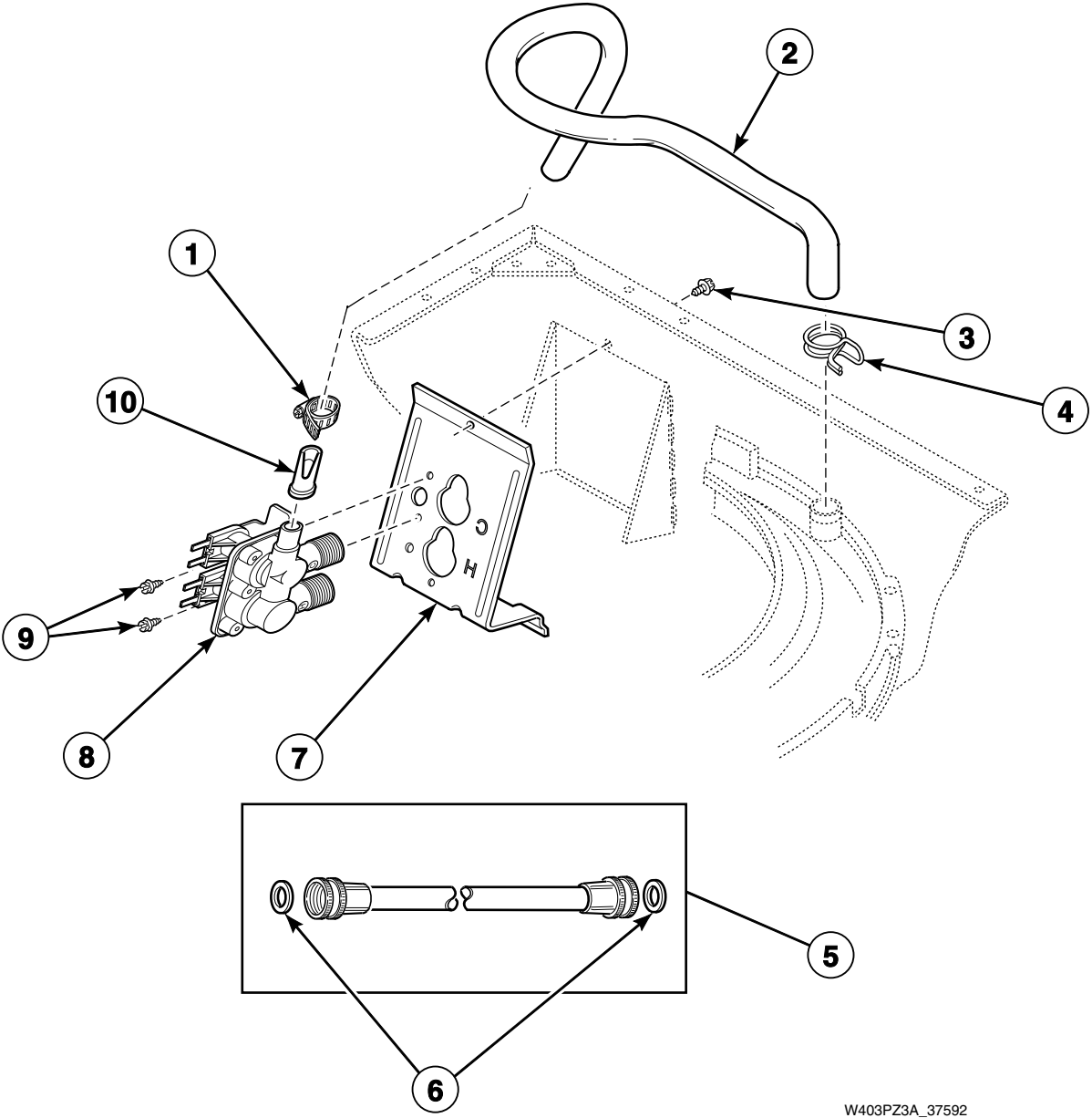


W246PZ3B_37592

Out-of-Balance Switch

REF	PART NO.	DESCRIPTION	COMMENTS
1	23962	Screw	
2	33527	Snap Switch	
3	36510	Screw	
4	36497P	Switch Holder Kit	Includes 2 of item 3
5	33441	Actuator Arm	
6	33442	Unbalanced Load Lever	
7	33443	Spring	

Inlet Hose, Fill Hose, Mixing Valve and Mounting Bracket

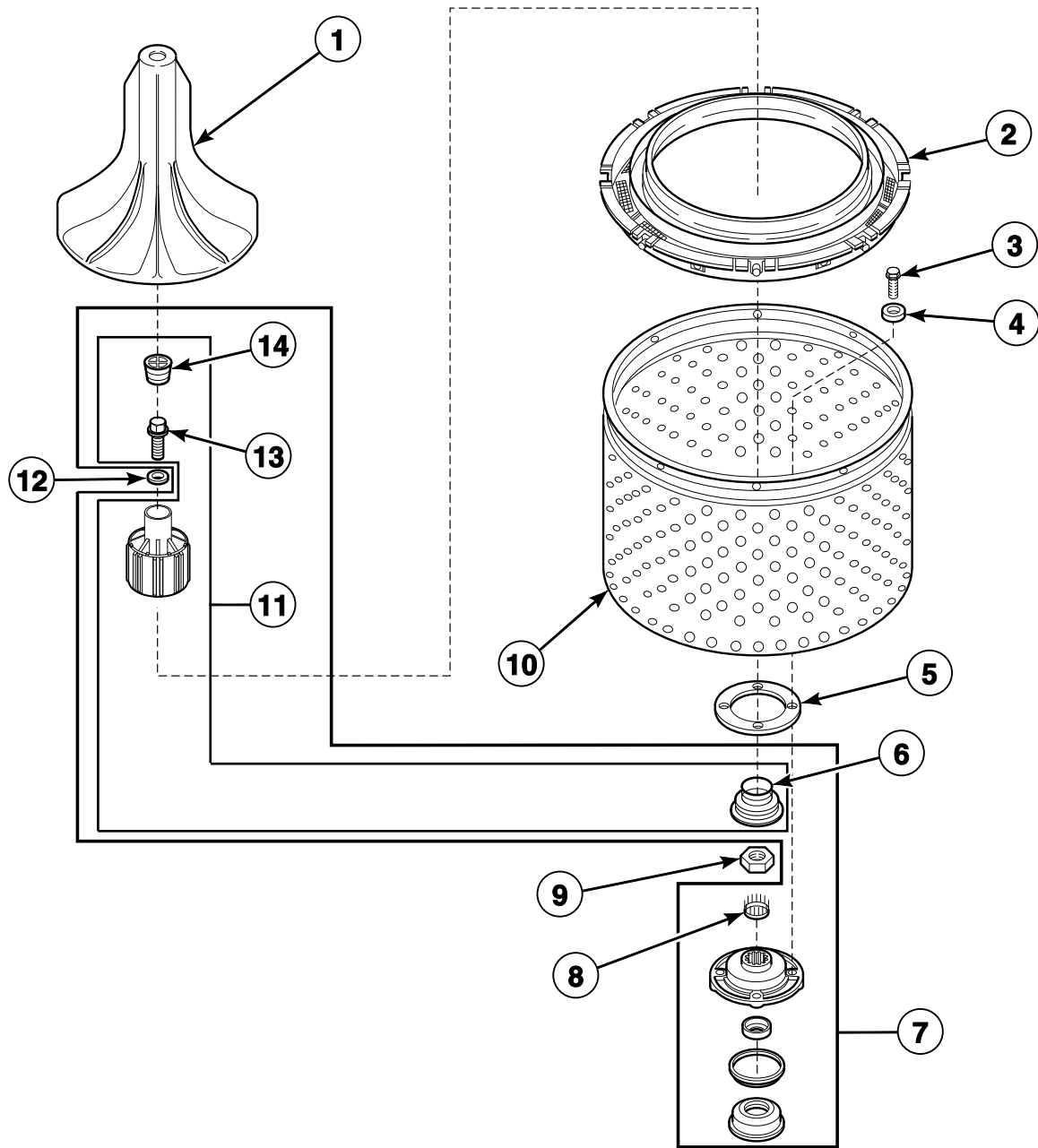


W403PZ3A_37592

Inlet Hose, Fill Hose, Mixing Valve and Mounting Bracket

REF	PART NO.	DESCRIPTION	COMMENTS
1	36801	Hose Clamp	
2	38155	Mixing Valve-to-Tub Cover Hose	
3	33562	Screw	
4	29210	Hose Clamp	Gold
5	F200116	Water Hose	
6	20290	Washer	
7	39407	Mixing Valve Mounting Bracket	
8	34963P	Mixing Valve	
9	23962	Screw	
10	34500	Backflow Preventer	

Agitator, Drive Bell, Seal Kit, Washtub and Hub

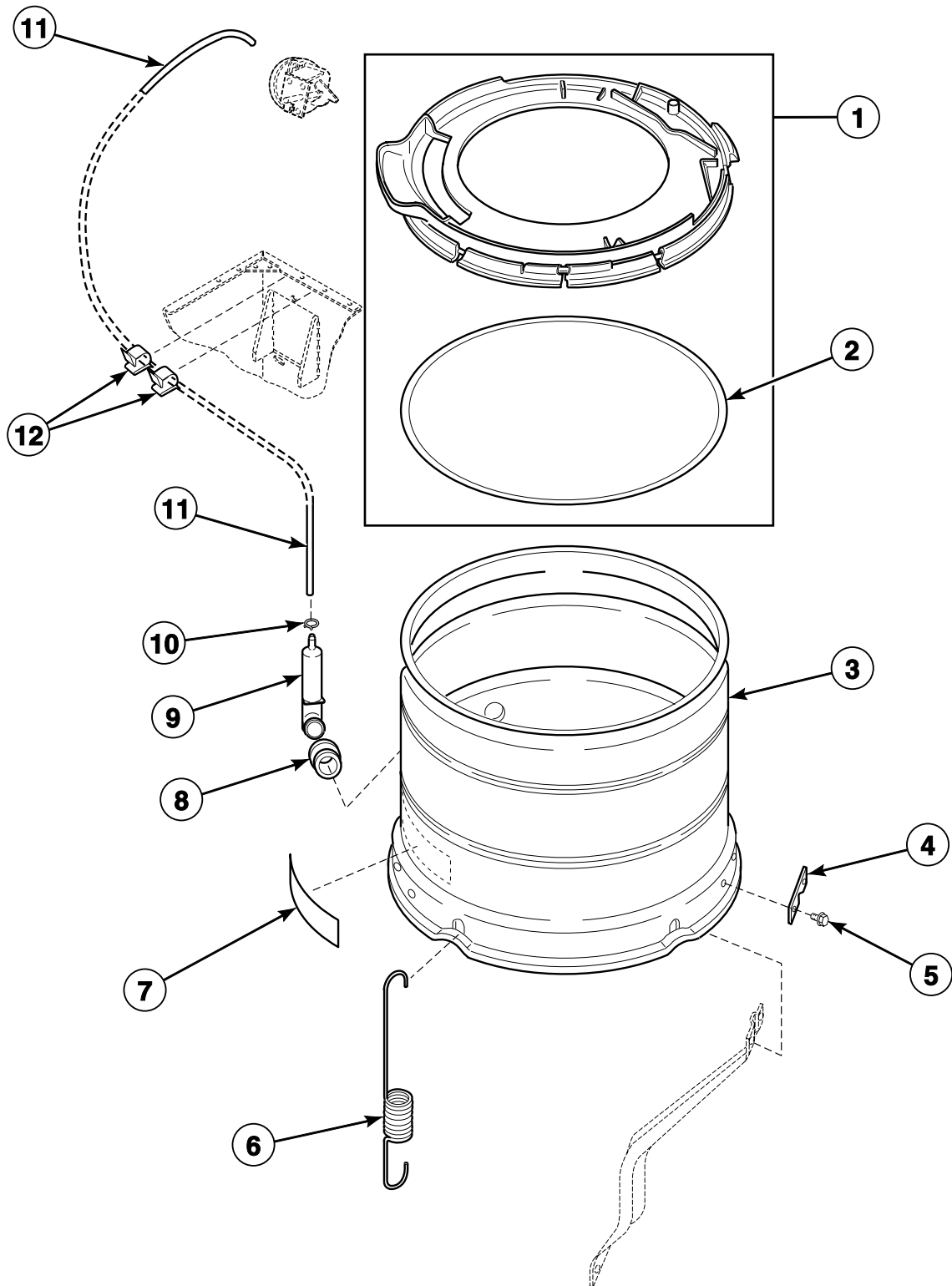


W227P_37592

Agitator, Drive Bell, Seal Kit, Washtub and Hub

REF	PART NO.	DESCRIPTION	COMMENTS
1	33513	Agitator	
2	32990	Clothes Guard	
3	27202	Screw	
4	28094	Washer	
5	39122	Washtub Gasket	
6	36425	Bell and Transmission Tube Seal	
7	495P3	Hub and Seal Kit	Includes 32857 Cover Gasket, item 8 and item 11
8	29728	Spline Insert	
9	29220	Nut	
10	39252P	Tub Assembly	Porcelain
	204429P	Tub Assembly	Stainless Steel
11	39508P	Drive Bell and Seal Kit	Includes items 6, 13 and 14
12	36472	O-Ring	
13	39432	Screw	
14	36511	Bell Plug	

Outer Tub, Cover and Pressure Hose

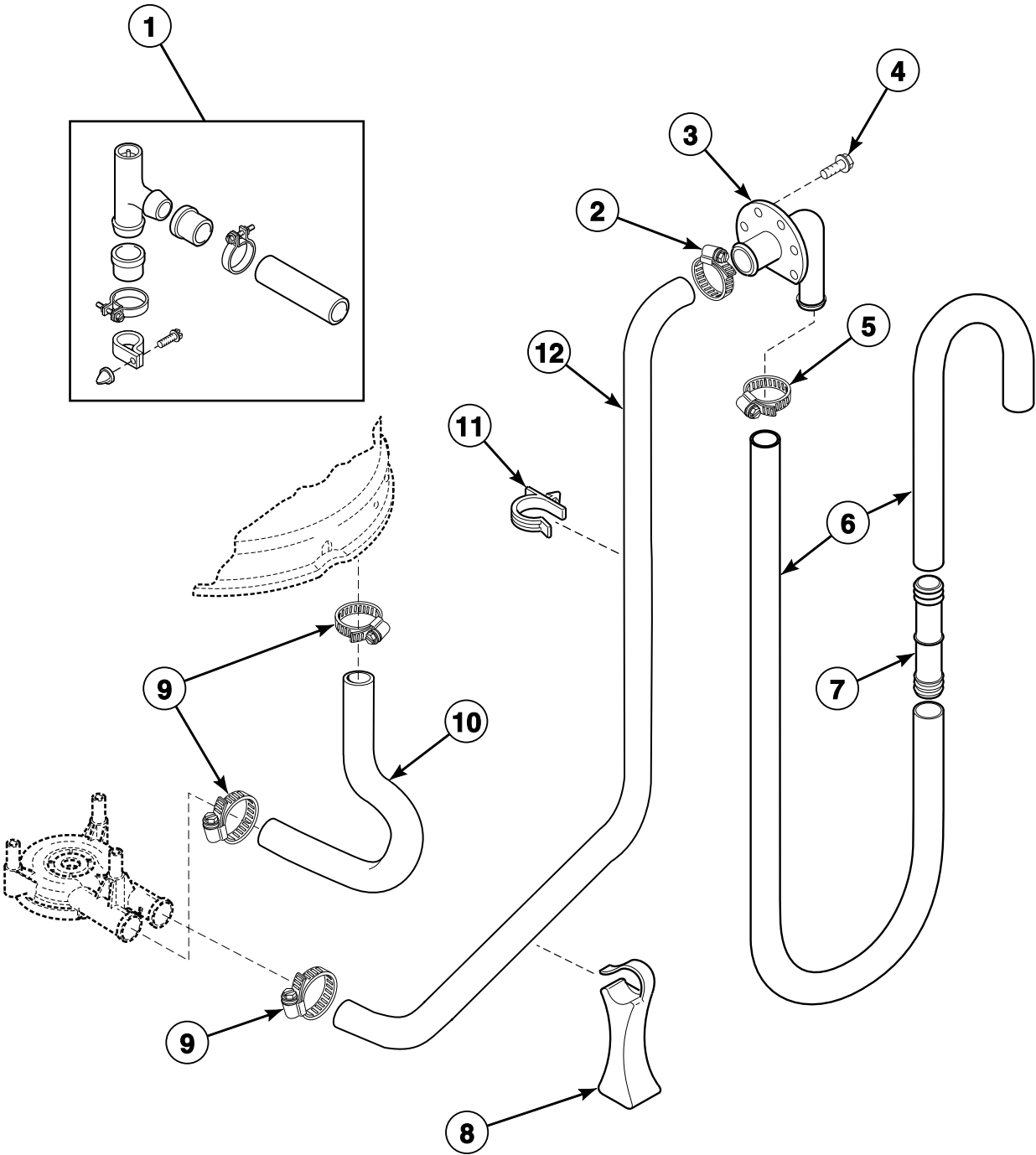


W404PZ3A_37592

Outer Tub, Cover and Pressure Hose

REF	PART NO.	DESCRIPTION	COMMENTS
1	36025P	Tub Cover Kit	Includes item 2
2	32857	Tub Cover Gasket	
3	34439P	Outer Tub Kit	
4	27926	Leg Plate	
5	35369	Screw	
6	35947	Tub Spring	
7	D500049	Warning Label	
8	29175	Grommet	
9	205241	Pressure Bulb Assembly	
10	39282	Hose Clamp	
11	39124	Tubing	
12	21036	Cable Clip	

Drain Hose and Siphon Break Kit

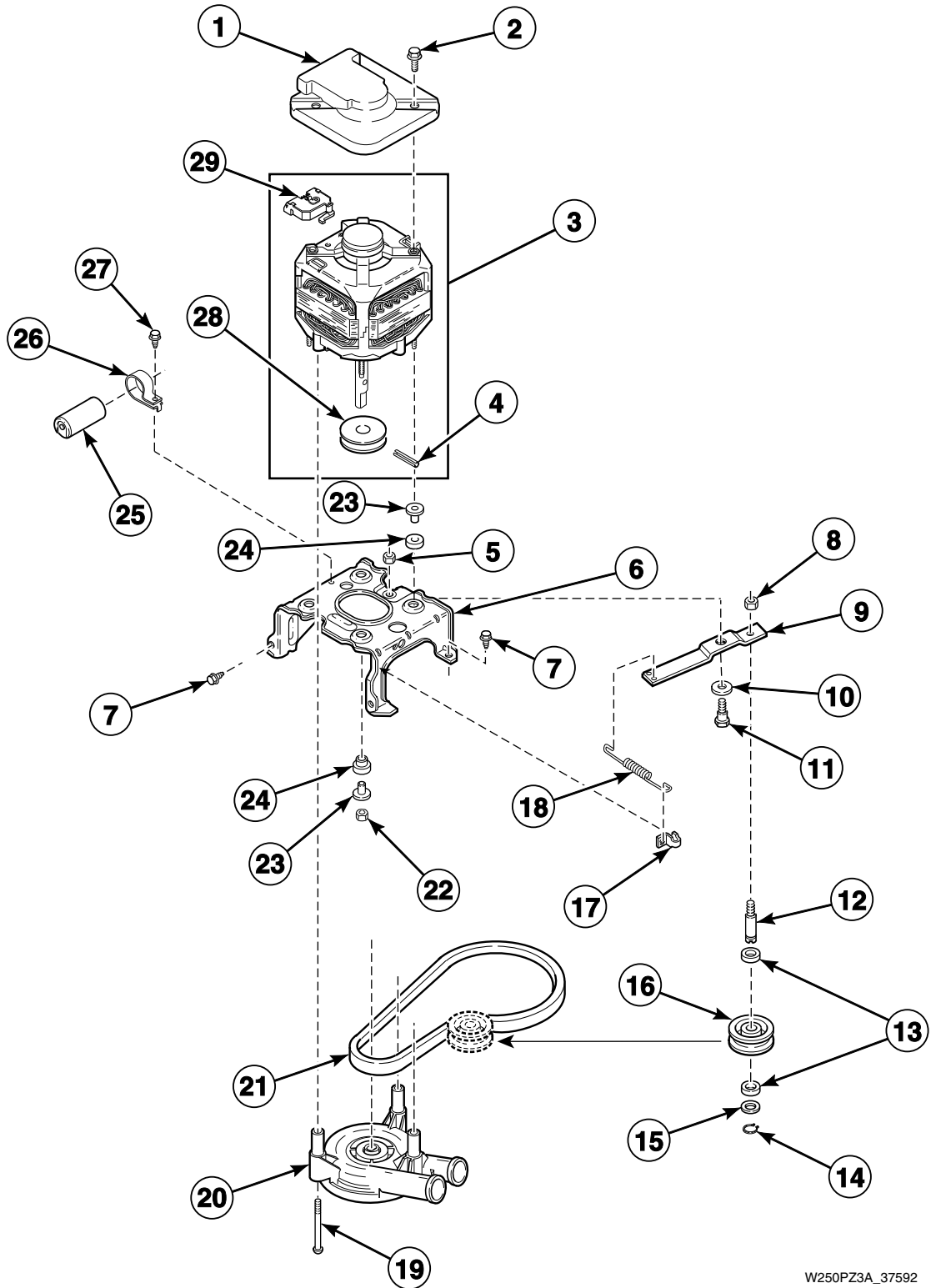


W219PZ3B_37592

Drain Hose and Siphon Break Kit

REF	PART NO.	DESCRIPTION	COMMENTS
1	562P3	Siphon Break Kit	Siphon break kit MUST be installed in drain hose if drain receptacle is lower than cabinet top of washer
2	29210	Hose Clamp	
3	36990	Drain Hose Elbow	
4	52909	Screw	
5	20391	Hose Clamp	
6	28293	Drain Hose	
7	25863	Hose Coupler	If drain hose must be shortened, cut hose between molded end and molded elbow. Use one 25863 Hose Coupler to splice hose.
8	36522	Hose Support	
9	36802	Hose Clamp	
10	35752	Tub-to-Pump Hose	
11	36014	Retainer Clip	
12	34581	Pump-to-Drain Elbow Hose	

Motor, Mounting Bracket, Belt, Pump and Idler Assembly



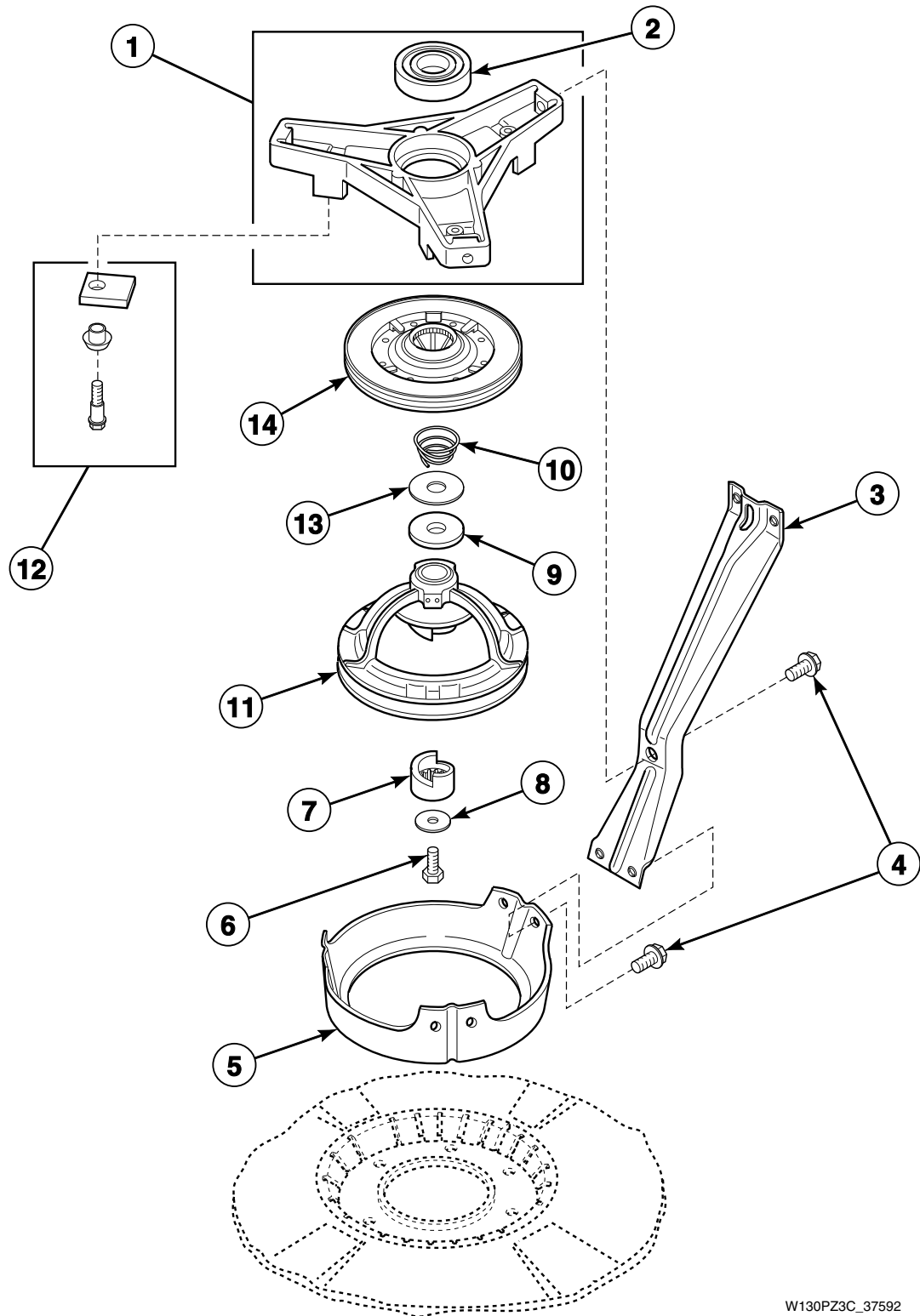
W250PZ3A_37592

Motor, Mounting Bracket, Belt, Pump and Idler Assembly

REF	PART NO.	DESCRIPTION	COMMENTS
	258P3	Capacitor Kit	For use in areas where low voltage exists
1	34754	Motor Shield	
2	31645	Screw	
3	38035P	Motor Kit	1 Speed Motor
	38034P	Motor Kit	2 Speed Motor
4	N/A	Roll Pin	
5	52566	Nut	
6	37415P	Motor Bracket and Idler Lever Kit	
7	D503661	Screw	
8	28803	Nut	
9	37443	Idler Lever	
10	81392	Washer	
11	27229	Screw	
12	28802P	Idler Shaft	
13	29443	Washer	Felt
14	23748	Retaining Ring	
15	52549	Washer	Nylatron
16	28800P	Idler Pulley	
17	28849	Spring Clip	
18	37606	Idler Lever Spring	
19	34565	Screw	
20	205217P	Pump Assembly Kit	
21	28808	Belt	Agitate and Spin
22	35423	Nut	
23	34791	Motor Mount Post	
24	34788	Motor Mount	Rubber
25	37377	Capacitor	
26	37535	Capacitor Clamp	
27	52909	Screw	
28	N/A	Motor Pulley	Gold Color
29	35632	Motor Switch	

N/A = Part no longer available

Bearing Housing, Brake, Pulley and Pivot Dome

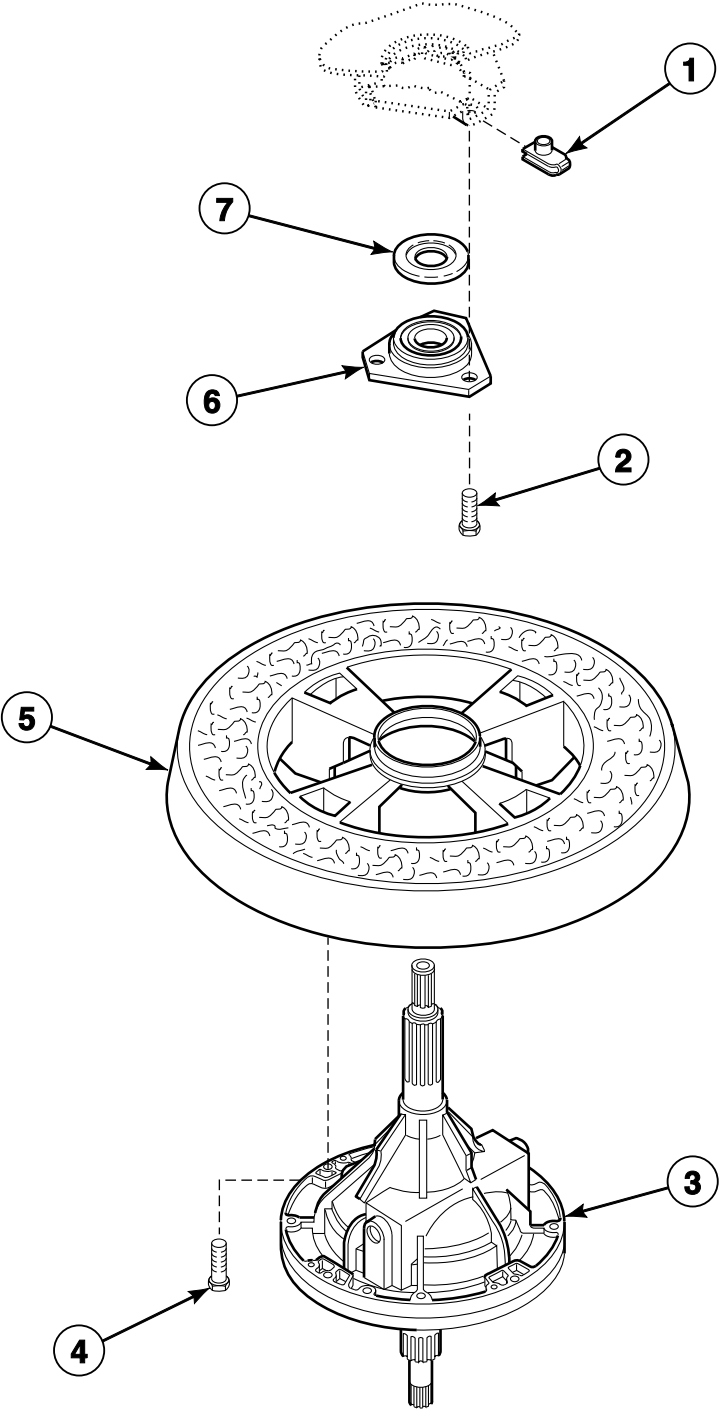


W130PZ3C_37592

Bearing Housing, Brake, Pulley and Pivot Dome

REF	PART NO.	DESCRIPTION	COMMENTS
	204253	Silicone Grease	Apply small amount to each new brake pad
1	35746	Bearing Housing Assembly	
2	28944RP	Lower Bearing	
3	34792	Support Leg	
4	35369	Screw	
5	34470	Pivot Dome	
6	27220	Screw	
7	38008	Helix	
8	26509	Washer	
9	27015	Washer	Thick
10	33435	Spring	Through Serial No. 9606029041
11	34923	Pulley Assembly	
12	548P3	Brake Pad Kit	Includes three pads, sleeves and screws
13	35535	Washer	Thin
14	38505P	Brake Kit	

Transmission Assembly and Balance Ring



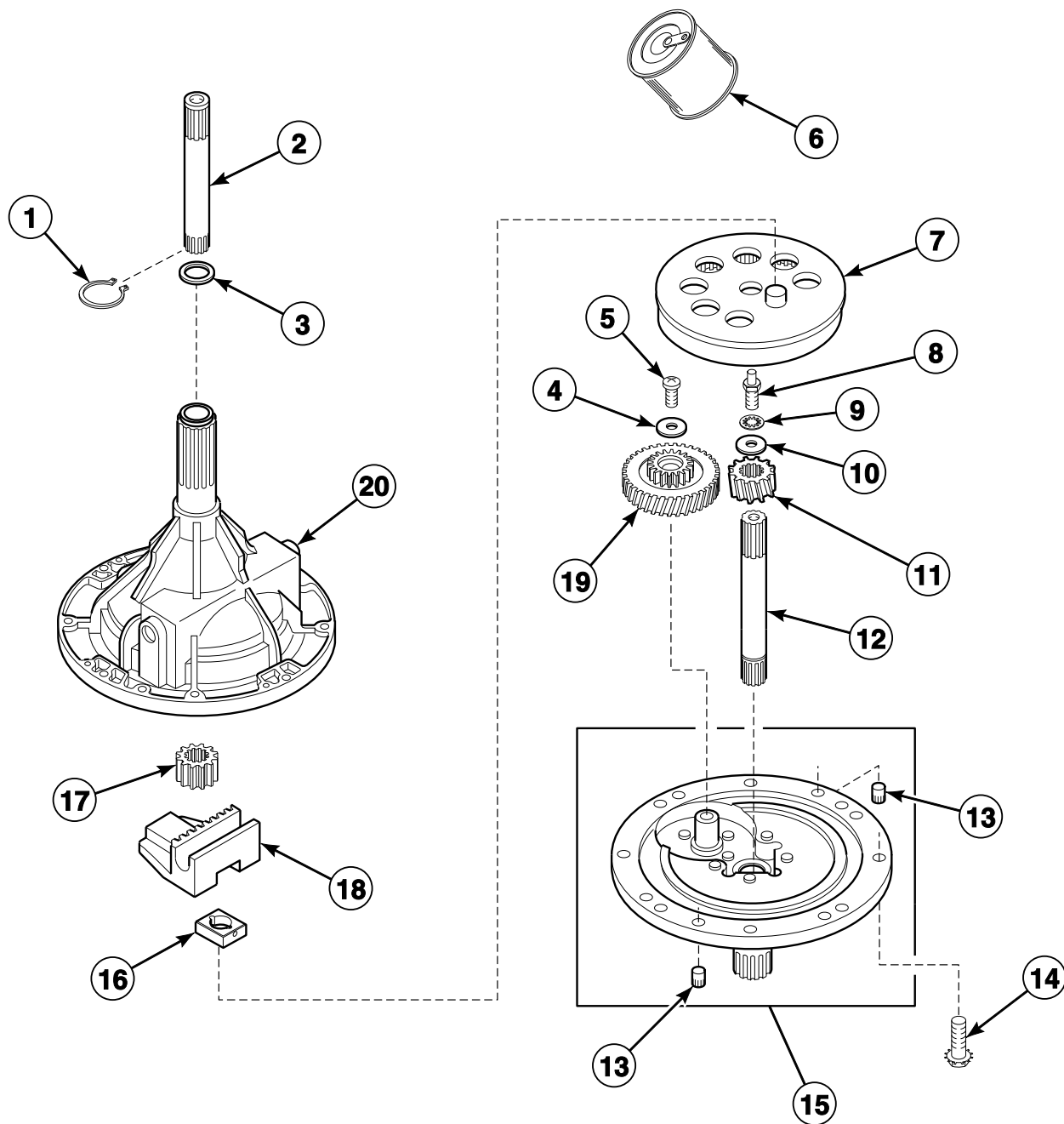
W234PZ3C_37592

Transmission Assembly and Balance Ring

REF	PART NO.	DESCRIPTION	COMMENTS
	27604P	Anti-Seize Compound	Apply to smooth area of both the upper and lower transmission shafts that will be contacting the upper and lower bearings.
1	27222	Nut	
2	M400057	Screw	
3	34526P	Transmission Assembly	Refer to <i>Transmission Assembly</i> section for component parts
4	N/A	Cap Screw	
5	34731	Balance Ring Assembly	
6	27182	Bearing Housing Assembly	
7	27187	Flinger	Through Serial No. 9510053576

N/A = Part no longer available

34526P Transmission Assembly

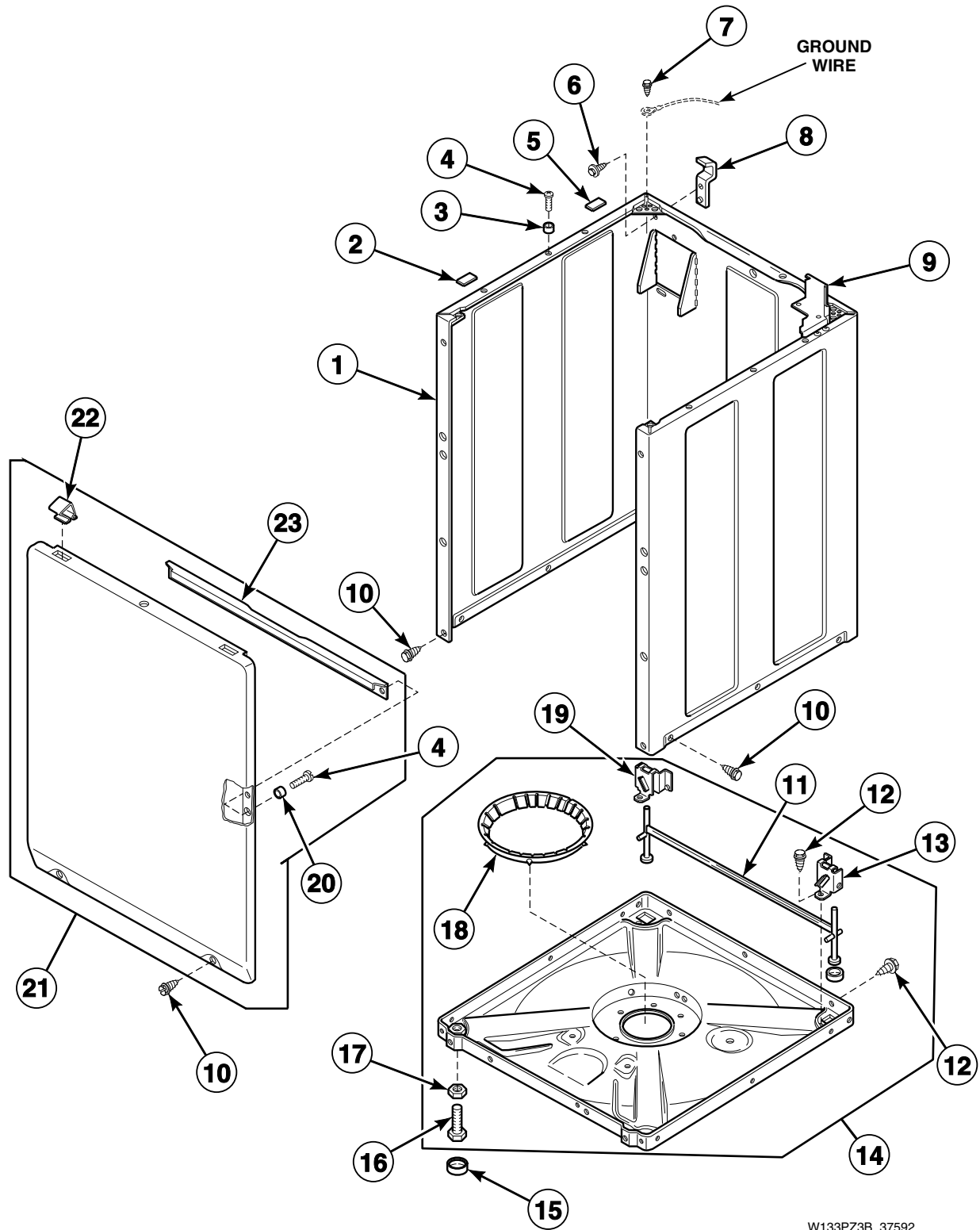


W132PZ3B_37592

34526P Transmission Assembly

REF	PART NO.	DESCRIPTION	COMMENTS
	37577P	Transmission Sealant	Use between transmission case and cover
1	27197	Retaining Ring	
2	36570P	Output Shaft	
3	35092	Washer	
4	29260	Washer	
5	29273	Screw	
6	27243P	Transmission Oil	1 Fill
7	26577	Gear and Stud Assembly	
8	27030	Screw	
9	21456	Washer	Through Serial No. 9712011370
10	26509	Washer	
11	36562P	Drive Pinion	
12	34853P	Input Shaft	
13	27172	Dowel Pin	Through Serial No. 9404069378
14	32814	Screw	
15	38290P	Transmission Cover Assembly	
16	26493	Slide	
17	27003	Agitator Pinion	
18	201664	Rack	
19	29161P	Reduction Gear	
20	33223P	Transmission Case Assembly	

Front Panel, Base Assembly and Cabinet Assembly

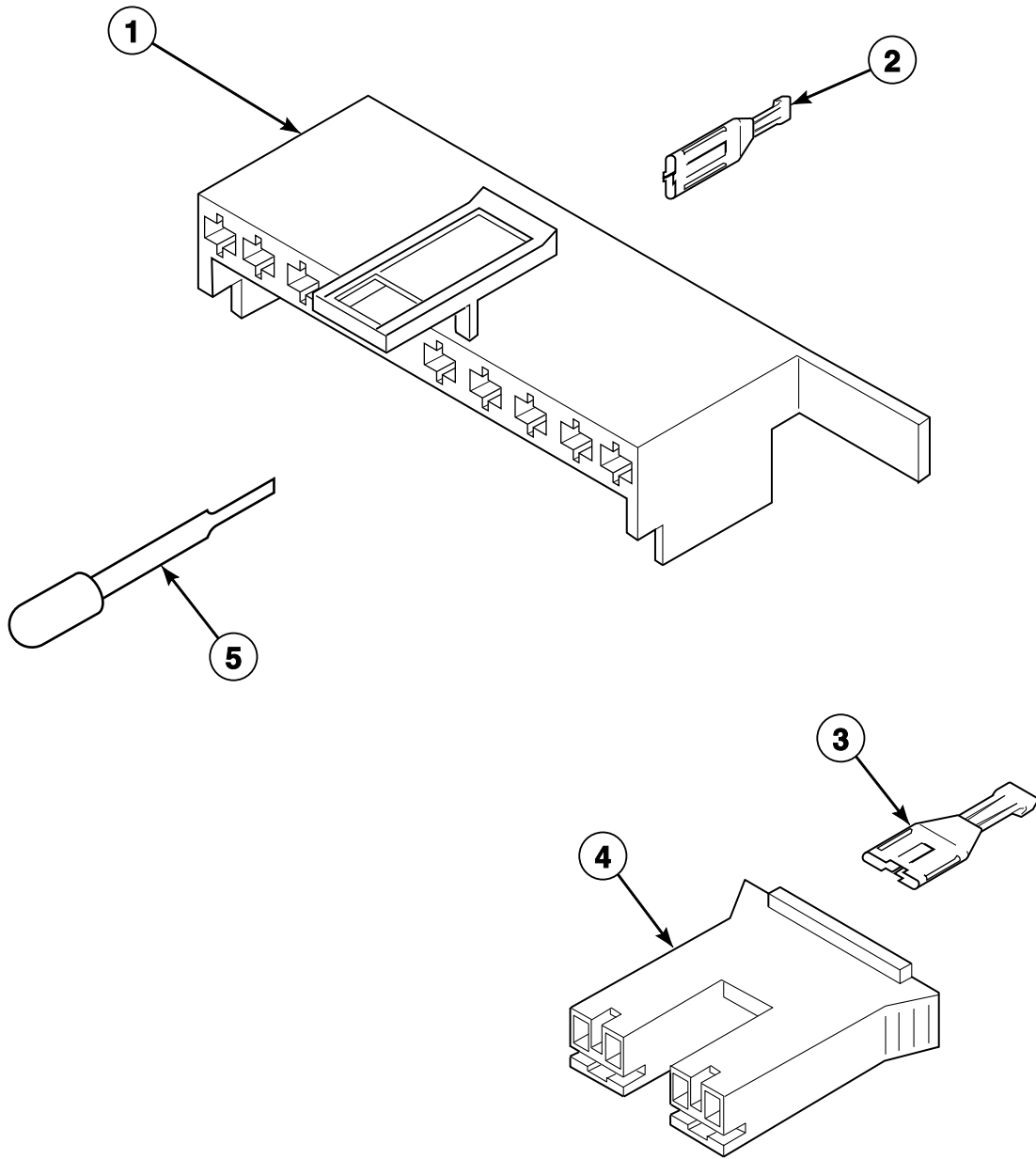


W133PZ3B_37592

Front Panel, Base Assembly and Cabinet Assembly

REF	PART NO.	DESCRIPTION	COMMENTS
1	38612WP	Service Cabinet Kit	White
	38612LP	Service Cabinet Kit	Almond
2	56128	Bumper Pad	Thin
3	56079	Panel Locator	
4	39733	Screw	
5	36226	Bumper Pad	Thick
6	D501524	Screw	
7	23962	Screw	
8	204155	Hold-Down Lug Hinge	
9	35915	Meter Case Mounting Bracket Assembly	
10	27196	Screw	
11	34443	Leg and Stabilizer Assembly	
12	35148	Screw	Hex head
	431287	Screw	Torx head; Optional; For security on front panel
13	36036	Bracket	Right
14	36599P	Base Kit	Includes items 11, 12, 13, 16, 17, 18 and 19
15	34318	Rubber Foot	
16	34319	Leveling Leg	
17	21899	Nut	
18	36108	Snubber Pad Assembly	
19	36037	Bracket	Left
20	28102	Panel Locator	
21	34656WP	Front Panel Assembly	White; Includes items 3, 20, 22 and 23
	34656LP	Front Panel Assembly	Almond; Includes items 3, 20, 22 and 23
22	35865	Hold-Down Clip	
23	35097	Front Panel Brace	

Mixing Valve and Motor Disconnect Blocks, Terminals and Terminal Extractor Tool

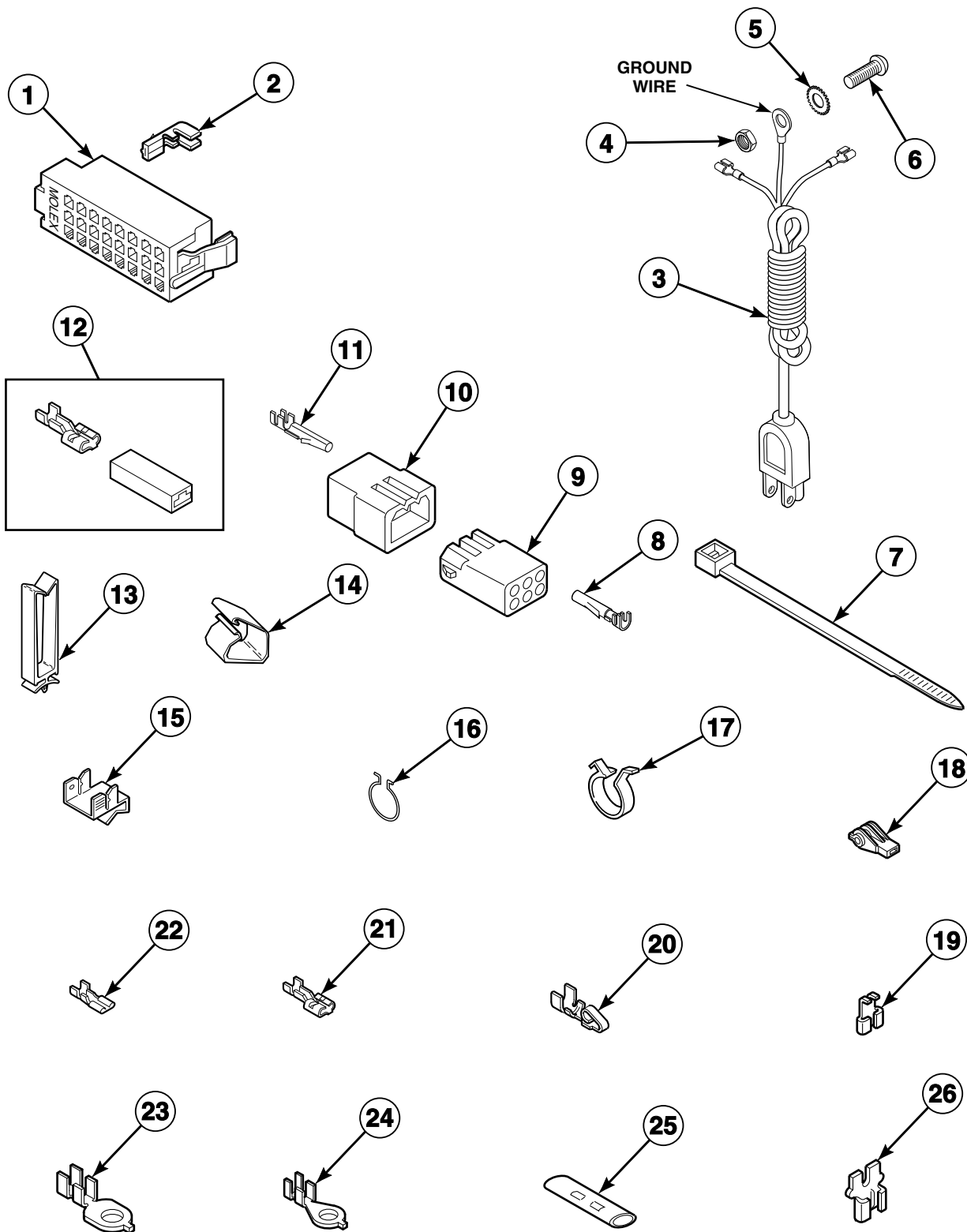


W134PZ3A_37592

Mixing Valve and Motor Disconnect Blocks, Terminals and Terminal Extractor Tool

REF	PART NO.	DESCRIPTION	COMMENTS
1	34677	10 Circuit Plug	Motor
2	00188	Female Terminal	For 1- or 2-wire application
3	00121	Female Spade Terminal	1/4 Inch
4	34675	Mixing Valve Plug	Natural
	34676	Mixing Valve Plug	Red
5	283P4	Terminal Extractor Tool	

Power Cord and Terminals



W135PZ3A_37592

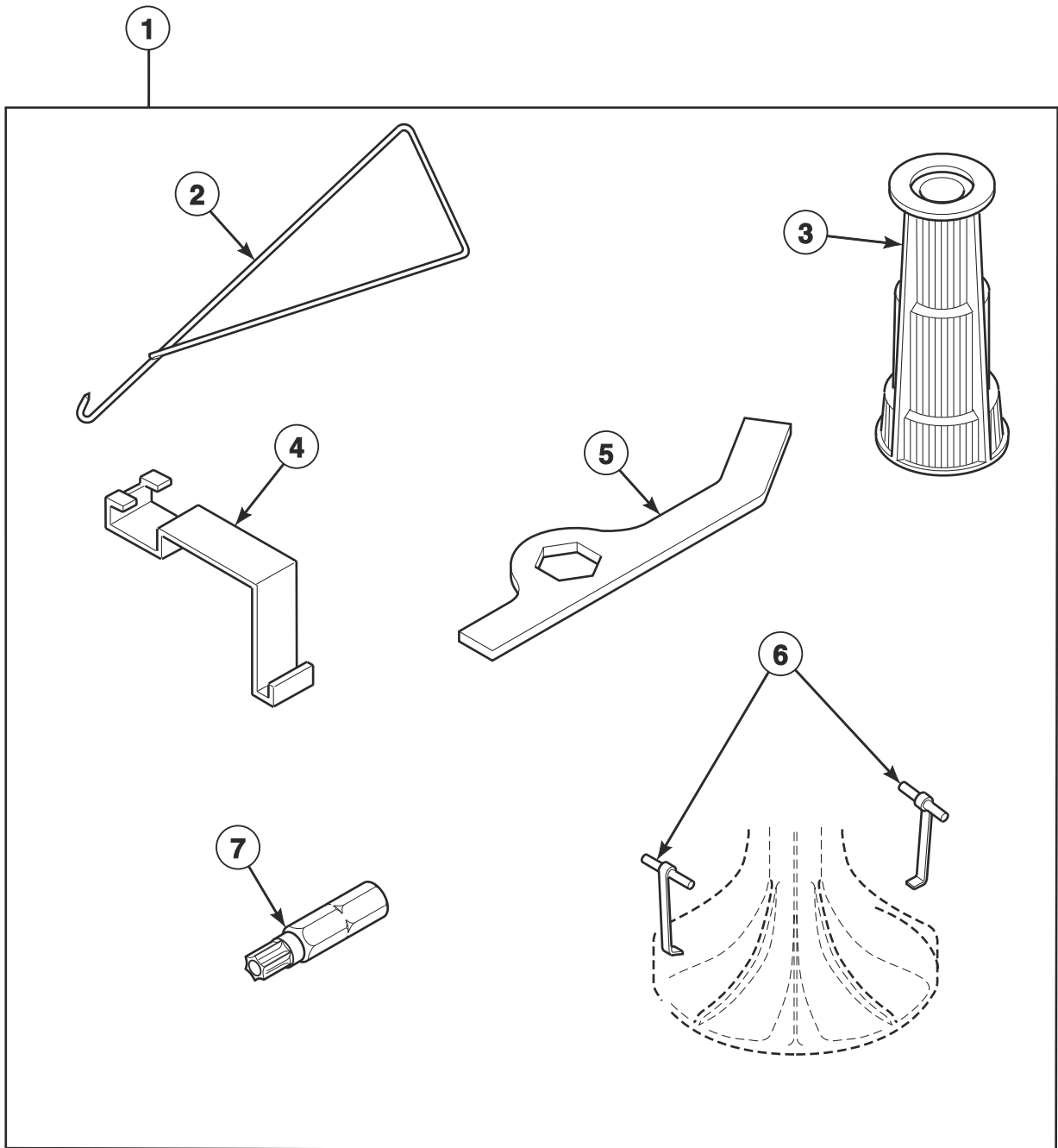
Power Cord and Terminals

REF	PART NO.	DESCRIPTION	COMMENTS
1	32746	24 Position Housing	Right Hand; Black
	34123	24 Position Housing	Left Hand; White
2	00188	Female Terminal	Used for 1- or 2-wire application
3	34458	Lead-In Cord	
4	03673	Nut	
5	21735	Washer	
6	20267	Screw	
7	55881	Harness Strap	
8	00117	Female Pin Terminal	
9	26301	1 Circuit Receptacle	
	26708	6 Circuit Receptacle	
	26163	9 Circuit Receptacle	
10	44370401	1 Circuit Plug Housing	
	23041	6 Circuit Plug	
	23033	9 Circuit Plug	
11	00116	Male Pin Terminal	
12	00359	Insulated Female Spade Terminal	
13	70366201	Wire Clip	
14	N/A	Harness Clip	
15	00161	Grounding Clip	
16	51291	Wire Clip	
17	D504034	Wire Clip	
18	70210	Insulator	
19	00120	Female Flag Terminal	
20	N/A	Spade Terminal	Female; 1/4 inch
21	00223	Female Spade Terminal	Large spade
22	00112	Female Spade Terminal	Small spade
23	00113	Ring Terminal	1/4 inch
24	00110	Ring Terminal	Small shank
25	21091	Connector	
26	29673	Terminal Adapter	

* Add Letter To Designate Color. L - Almond W - White

N/A = Part no longer available

Special Tools (Drawing 1 of 2)

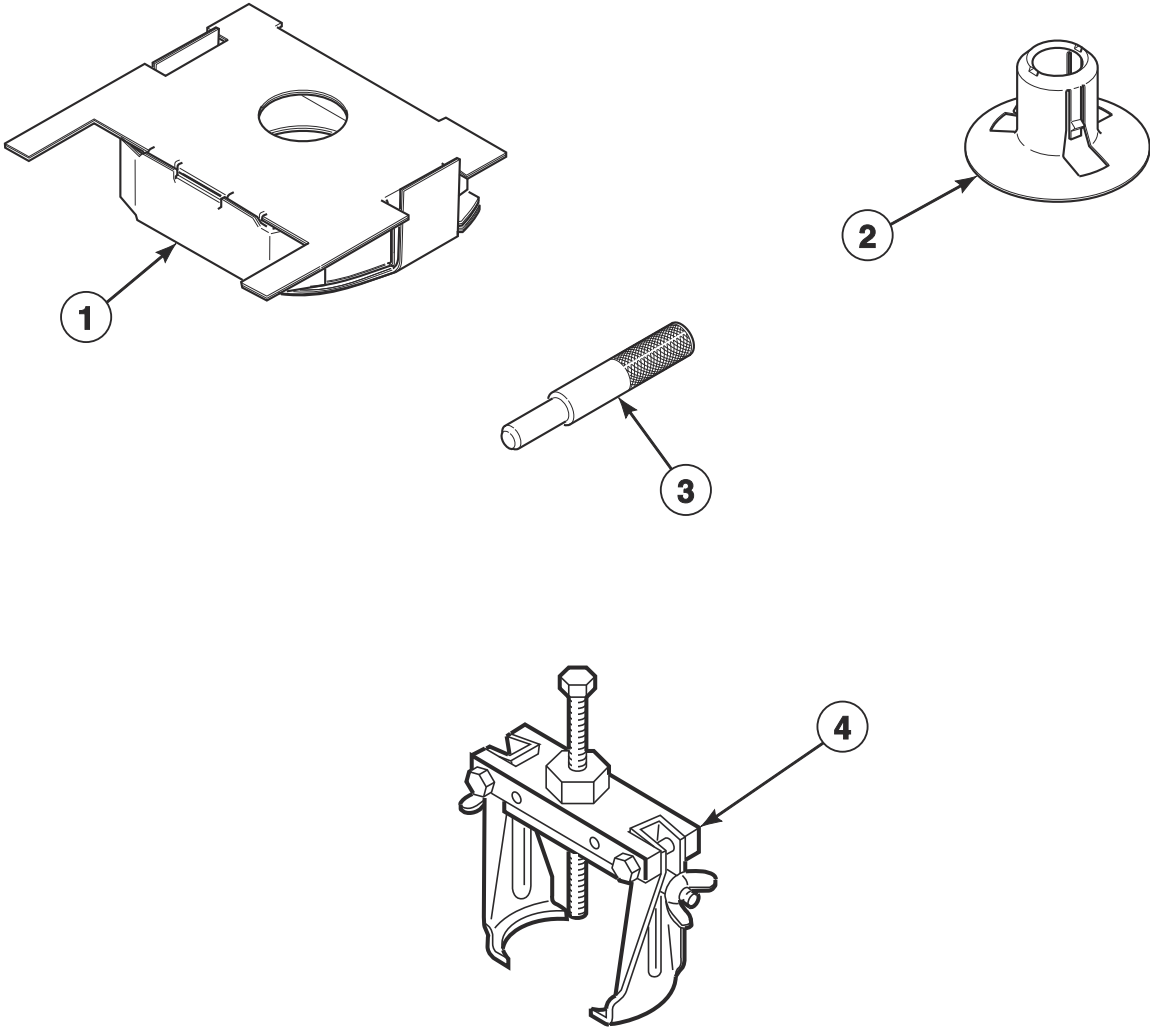


TLW1818P_37592

Special Tools (Drawing 1 of 2)

REF	PART NO.	DESCRIPTION	COMMENTS
1	725P3	Tool Kit	Includes items 2-7
2	321P4	Spring Hook Tool	For removal of centering springs from outer tub
3	293P4	Drive Bell Seal Tool	For installation of 36425 Bell and Transmission Tube Seal
4	273P4	Tub Cover Removal Tool	Use to install 38359 Tub Cover Gasket
5	306P4	Hex Wrench Tool	For removal of locknut from washtub hub
6	254P4P	Agitator Hook	Use to remove agitator from drive bell; Set of 2
7	281P4	Torx Bit	For removal and installation of control hood security screws
	282P4	Torx Bit	For removal and installation of pump and front panel attaching screws

Special Tools (Drawing 2 of 2)



TLW1664P_37592

Special Tools (Drawing 2 of 2)

REF	PART NO.	DESCRIPTION	COMMENTS
1	200552	Shipping Brace	Install whenever moving washer; Remove before use
2	38149	Shipping Plug	Install whenever moving washer; Remove before use
3	305P4	Transmission Pin Tool	Use pin tools in place of dowel pins when reassembling transmission cover and case; 2 required
4	294P4	Agitator Drive Bell Puller	For removal and installation of drive bell to transmission shaft

Wire Harnesses and Wires

PART NO.	DESCRIPTION	COMMENTS
N/A	Base Harness	
34092P	Wire Harness Assembly	Models DWA021*A and ZA2020*A
39806P	Timer Harness Assembly	Model ZA2110*A
29281P	Timer Harness Assembly	Model ZA2120*A
33805P	Wire Harness Assembly	Models DWA021*A and ZA2020*A
33758P	Wire Harness Assembly	Model ZA2120*A
N/A	Hood Harness	Model ZA2110*A
45001	18 Gauge Wire	Black; Order wire by foot and terminals and connectors as required
45380	12 Gauge Wire	Orange; Order wire by foot and terminals and connectors as required

* Add Letter To Designate Color. L - Almond W - White

N/A = Part no longer available

NOTE: Individual wires not serviced separately. Order complete wire harness, or order wire by the foot. When applying terminals to wires, it is recommended that the terminals be soldered to the wires.

Parts Index

A

Actuator Arm 33441	13
Agitator 33513	17
Agitator Drive Bell Puller 294P4	39
Agitator Hook 254P4P	37
Agitator Pinion 27003	29
Anti-Seize Compound 27604P	27

B

Backflow Preventer 34500	15
Balance Ring Assembly 34731	27
Base Kit 36599P	31
Bearing Housing Assembly 27182	27
35746	25
Bell and Transmission Tube Seal 36425	17
Bell Plug 36511	17
Belt 28808	23
Bolt 203798	5, 7
29651	7
Bracket 36036	31
36037	31
Brake Kit 38505P	25
Brake Pad Kit 548P3	25
Bumper 21685	11
Bumper Pad 36226	31
56128	31

C

Cable Clip 21036	19
Capacitor 37377	23
Capacitor Clamp 37535	23

Capacitor Kit 258P3	23
Clothes Guard 32990	17
Clutch Assembly 29503	7
Coin Funnel Kit 523P3	7
Connector 21091	35
Control Hood 37075L	9
37075W	9
Control Panel and Bracket Assembly 36521LP	9
36521WP	9
Control Panel Bumper 202469	9

D

Director Bracket 36034	11
Disconnect Power Warning Label D505281	11
Dowel Pin 27172	29
Drain Hose 28293	21
Drain Hose Elbow 36990	21
Drive Bell and Seal Kit 39508P	17
Drive Bell Seal Tool 293P4	37
Drive Pinion 36562P	29

F

Female Flag Terminal 00120	35
Female Pin Terminal 00117	35
Female Spade Terminal 00112	35
00121	33
00223	35
Female Terminal 00188	33, 35
Flinger 27187	27
Front Panel Assembly 34656LP	31
34656WP	31
Front Panel Brace 35097	31

N/A items do not appear in index.

G

Gear and Stud Assembly 26577	29
Graphic Overlay 35960	9
35961	9
Grommet 29175	19
Grounding Clip 00161	35

H

Harness Strap 55881	35
Helix 38008	25
Hex Wrench Tool 306P4	37
Hinge Bushing 36474	11
Hinge Gasket 34338	11
Hold-Down Clip 35865	31
Hold-Down Lug Hinge 204155	31
Hood Back Panel 38267	9
Hose Clamp 20391	21
29210	15, 21
36801	15
36802	21
39282	19
Hose Coupler 25863	21
Hose Support 36522	21
Housing, 24 Position 32746	35
34123	35
Hub and Seal Kit 495P3	17

I

Idler Lever 37443	23
Idler Lever Spring 37606	23
Idler Pulley 28800P	23
Idler Shaft 28802P	23
Input Shaft 34853P	29
Insulated Female Spade Terminal 00359	35

Insulator 70210	35
--------------------------	----

K

Kit, Motor Bracket and Idler Lever 37415P	23
--	----

L

Lead-In Cord 34458	35
Leg and Stabilizer Assembly 34443	31
Leg Plate 27926	19
Leveling Leg 34319	31
Lid 204615W	11
Lid Hinge 36437	11
36438	11
Lid Plug 34153	11
Light 32464	9
32466	9
Lower Bearing 28944RP	25

M

Male Pin Terminal 00116	35
Meter Case and Funnel Kit 524P3L	7
524P3W	7
Meter Case Bracket Gasket 35526	7
Meter Case Gasket 26354	7
Meter Case Lockdown Bracket 35525	7
Meter Case Locking Bracket Kit 204616	7
Meter Case Mounting Bracket Assembly 35915	31
Mixing Valve 34963P	15
Mixing Valve Mounting Bracket 39407	15
Mixing Valve Plug 34675	33
34676	33
Mixing Valve-to-Tub Cover Hose 38155	15
Motor Kit 38034P	23
38035P	23

N/A items do not appear in index.

Motor Mount 34788	23
Motor Mount Post 34791	23
Motor Shield 34754	23
Motor Switch 35632	23

N

Nut	
03673	35
20275	5
21899	31
24205	9
27222	11, 27
28803	23
29220	17
29786	7
29796	7
35423	23
36020	11
52566	5, 9, 23

O

O-Ring 36472	17
Outer Tub Kit 34439P	19
Output Shaft 36570P	29

P

Panel Locator 28102	31
56079	31
Pivot Dome 34470	25
Plug Housing, 1 Circuit 44370401	35
Plug, 10 Circuit 34677	33
Plug, 6 Circuit 23041	35
Plug, 9 Circuit 23033	35
Pressure Bulb Assembly 205241	19
Pressure Switch 35889P	9
Pulley Assembly 34923	25
Pump Assembly Kit 205217P	23
Pump-to-Drain Elbow Hose 34581	21
Push-to-Start Sticker 53738	5

R

Rack 201664	29
Receptacle, 1 Circuit 26301	35
Receptacle, 6 Circuit 26708	35
Receptacle, 9 Circuit 26163	35
Reduction Gear 29161P	29
Retainer Clip 36014	21
Retaining Ring 23748	23
27197	29
Ring Terminal 00110	35
00113	35
Rubber Foot 34318	31

S

Screw	
D500226	9
D501524	31
D503661	23
D503673	7, 11
M400057	27
02916	5, 9
20267	35
21720	7
23008	11
23222	9
23962	5, 9, 13, 15, 31
27030	29
27196	31
27202	17
27220	25
27229	23
27328	5
29273	29
31645	23
32814	29
33562	15
34337	11
34565	23
35148	31
35369	19, 25
35528	9
36048	7
36510	13
39432	17
39733	31
431287	31
51778	5
52909	11, 21, 23
80399	5
Service Cabinet Kit	
38612LP	31
38612WP	31

N/A items do not appear in index.

Service Door Assembly	
35798LP	7
35798WP	7
Shipping Brace	
200552	39
Shipping Plug	
38149	39
Silicone Grease	
204253	25
Siphon Break Kit	
562P3	21
Slide	
26493	29
Snap Switch	
33527	13
Snubber Pad Assembly	
36108	31
Spline Insert	
29728	17
Spring	
33435	25
33443	13
Spring Clip	
28849	23
Spring Hook Tool	
321P4	37
Strain Relief	
38384	11
Support Barrel	
56534	11
Support Leg	
34792	25
Switch	
27761	9
27762	9
Switch Holder Kit	
36497P	13
Switch Knob	
39897	9

T

Terminal Adapter	
29673	35
Terminal Extractor Tool	
283P4	33
Timer	
28716P	5
31111P	7
Timer Bracket	
35249	7
Timer Case Assembly	
37733W	5
Timer Harness Assembly	
29281P	40
39806P	40
Timer Knob Assembly	
26256	5
Timer Plate	
31864W	5
Tool Kit	
725P3	37

N/A items do not appear in index.

Top Assembly	
36122WP	11
36273WP	11
Torx Bit	
281P4	37
282P4	37
Transmission Assembly	
34526P	27
Transmission Case Assembly	
33223P	29
Transmission Cover Assembly	
38290P	29
Transmission Oil	
27243P	29
Transmission Pin Tool	
305P4	39
Transmission Sealant	
37577P	29
Tub Assembly	
204429P	17
39252P	17
Tub Cover Gasket	
32857	19
Tub Cover Kit	
36025P	19
Tub Cover Removal Tool	
273P4	37
Tub Spring	
35947	19
Tubing	
39124	19
Tub-to-Pump Hose	
35752	21

U

Unbalanced Load Lever	
33442	13

W

Warning Label	
D500049	19
Washer	
M400017	5, 9
02431	5, 9
20290	15
21456	5, 29
21734	5
21735	35
23225	5
26509	25, 29
27015	25
28094	17
29260	29
29443	23
30627	5
35092	29
35535	25
52549	23
81392	23
91029	9

Washtub Gasket	
39122	17
Water Hose	
F200116	15
Wire Clip	
D504034	35
51291	35
70366201	35
Wire Harness Assembly	
33758P	40
33805P	40
34092P	40
Wire, 12 Gauge	
45380	40
Wire, 18 Gauge	
45001	40
