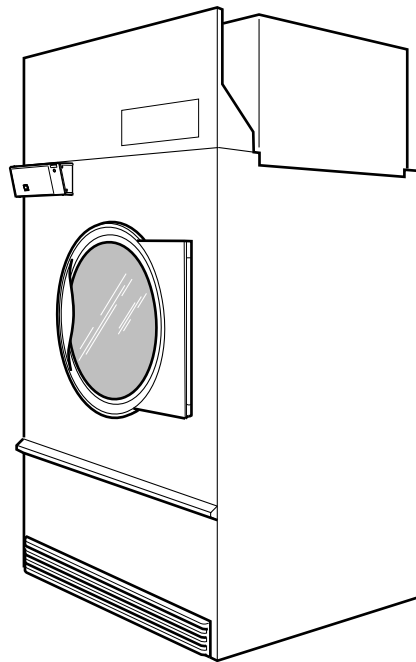


Tumble Dryer

120 Pound Capacity

15 Digit Model Numbers with 2 in 12th Position

Refer to Page 5 for Model Numbers



TMB1268C_70422001

Table of Contents

Title	Page
Parts Ordering Information.....	3
Serial Plate Location	3
Model Identification	5
Product Overview - Heat Source and Voltage	6
Product Overview - Control Suffixes (Drawing 1 of 2).....	8
Product Overview - Control Suffixes (Drawing 2 of 2).....	10
Interior Control Box	12
Exterior Control Box - RM Control Suffix.....	14
Exterior Control Box - RQ Control Suffix (Drawing 1 of 2).....	16
Exterior Control Box - RQ Control Suffix (Drawing 2 of 2).....	18
DMP Control Box - C and I Models with RD Control Suffix.....	20
DX4 Control Box - B Models with R3 Control Suffix.....	22
Exterior Control Box - RE Control Suffix (Drawing 1 of 2).....	24
Exterior Control Box - RE Control Suffix (Drawing 2 of 2).....	26
Exterior Control Box - RU Control Suffix.....	28
Fire Suppression System Control Box	30
Cabinet Front Components.....	32
Cabinet Front Panels and Nameplates	34
Door Components.....	36
Hinge Components	38
Lint Panel Components.....	40
Lint Panel Switch Assembly.....	42
Lint Screen and Drive Guard	44
Cylinder and Trunnion Assembly	46
Trunnion Bearings.....	48
Drive Sheave, Step Pulley and Belts	50
Cylinder Drive Motor	52
Moisture Sensing Components.....	54
Fan Assembly - 50 Hertz Models	56
Fan Motor Assembly - 50 Hertz Models.....	58
Fan and Fan Motor Assembly - 60 Hertz Models.....	60
Airflow Switch.....	62
Gas Heater Components - Non-CE Models Through 3/10/13	64
Gas Heater Components - CE Models Through 3/10/13	66
Gas Heater Components - Models Starting 3/11/13	68
Burner Orifices for Non-CE and Non-Australian Gas Models	70
Steam Heater Components - Except B, C and I Models.....	72
Steam Heater Components - B, C and I Models.....	74
Steam Solenoid Valve.....	76
Electric Heater Components	78
Rotation Sensor	80

© Copyright 2023, Alliance Laundry Systems LLC

All rights reserved. No part of the contents of this book may be reproduced or transmitted in any form or by any means without the expressed written consent of the publisher.

Control Tray Wrap Components for Gas and Steam Models.....	82
Control Tray Wrap Components for Electric Models.....	84
Control Tray Fuses	86
Control Tray Harnesses for Gas and Steam Models	88
Control Tray Components for Gas Models	90
Control Tray Components for Steam Models.....	92
Control Tray Harnesses for Electric Models.....	94
Control Tray Components for Electric Models	96
Parts Index.....	99

Parts Ordering Information

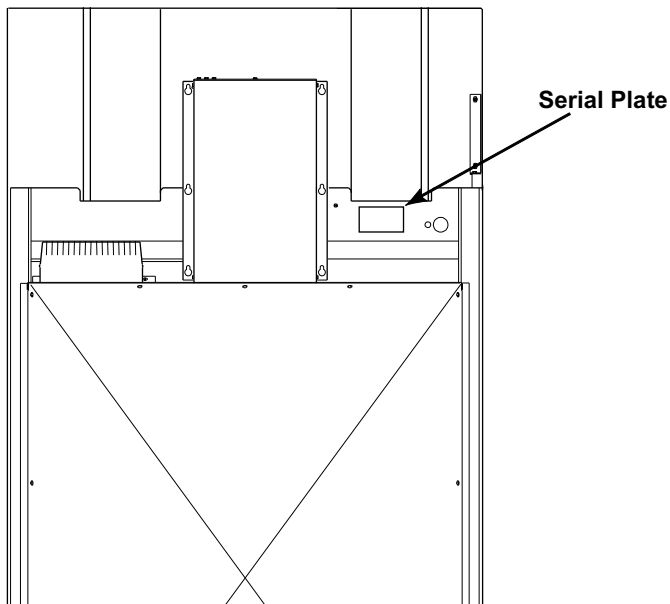
If literature or replacement parts are required, contact the source from whom the machine was purchased or contact Alliance Laundry Systems at (920) 748-3950 for the name and address of the nearest authorized parts distributor.

For technical assistance, call the number listed below:

(920) 748-3121 Ripon, Wisconsin

Serial Plate Location

When calling or writing about your product, be sure to mention model and serial numbers. Model and serial numbers are located on serial plate(s) as shown.



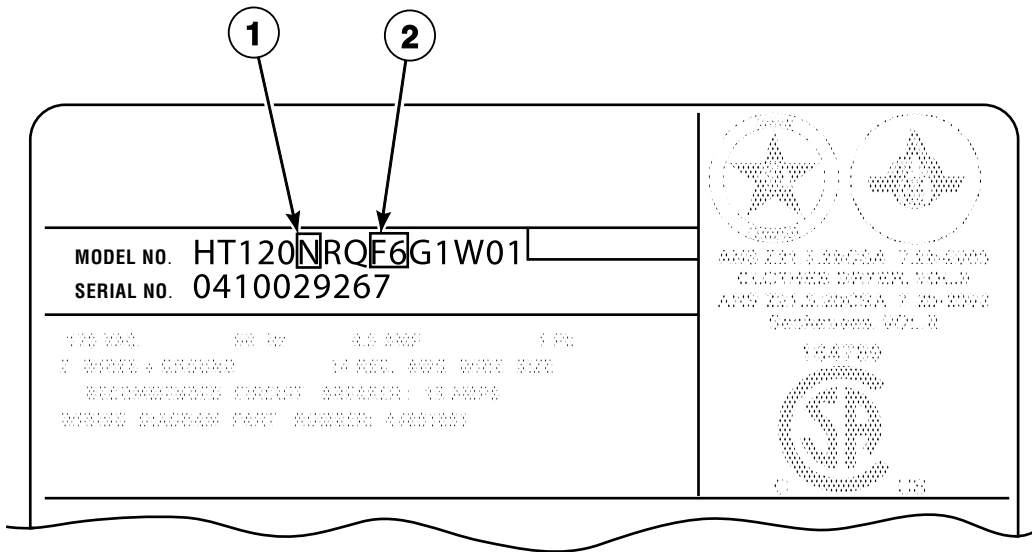
TMB3207P_70422001

Model Identification

Information in this manual is applicable to these tumble dryer models:

BA120L	GA120L	IT120E	NH120E	SA120L	XT120L
BA120N	GA120N	IT120L	NH120L	SA120N	XT120N
BH120E	GH120E	IT120N	NH120N	SH120E	XT120S
BH120L	GH120L	IT120S	NH120S	SH120L	XT120T
BH120N	GH120N	IT120T	NT120E	SH120N	XU120L
BH120S	GH120S	KA120L	NT120L	SH120S	XU120N
BK120N	GK120N	KA120N	NT120N	SK120N	XU120S
BT120E	GT120E	KK120N	NT120S	ST120E	XU120T
BT120L	GT120L	KT120E	NU120E	ST120L	YT120L
BT120N	GT120N	KT120L	NU120L	ST120N	YT120N
BT120S	GT120S	KT120N	NU120N	ST120S	YT120S
BT120T	GT120T	KT120S	NU120S	ST120T	YT120T
BU120E	GU120E	KT120T	PA120L	SU120E	YU120E
BU120L	GU120L	KU120E	PA120N	SU120L	YU120L
BU120N	GU120N	KU120L	PH120E	SU120N	YU120N
BU120S	GU120S	KU120N	PH120L	SU120S	YU120S
BU120T	GU120T	KU120S	PH120N	SU120T	YU120T
CA120L	HA120L	KU120T	PH120S	UA120L	
CA120N	HA120N	LA120L	PK120N	UA120N	
CK120N	HH120E	LA120N	PT120E	UH120E	
CT120E	HH120L	LK120N	PT120L	UH120L	
CT120L	HH120N	LT120E	PT120N	UH120N	
CT120N	HH120S	LT120L	PT120S	UH120S	
CT120S	HK120N	LT120N	PT120T	UK120N	
CT120T	HT120E	LT120S	PU120E	UT120E	
CU120E	HT120L	LT120T	PU120L	UT120L	
CU120L	HT120N	LU120E	PU120N	UT120N	
CU120N	HT120S	LU120L	PU120S	UT120S	
CU120S	HT120T	LU120N	PU120T	UT120T	
CU120T	HU120E	LU120S		UU120E	
	HU120L	LU120T		UU120L	
	HU120N			UU120N	
	HU120S			UU120S	
	HU120T			UU120T	

Product Overview - Heat Source and Voltage



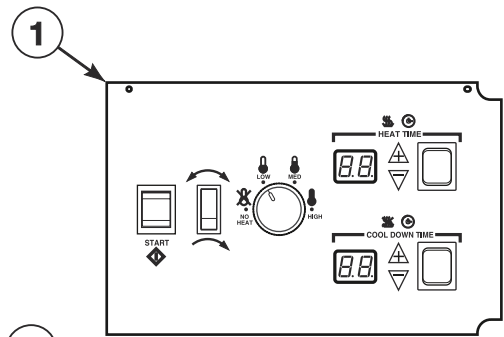
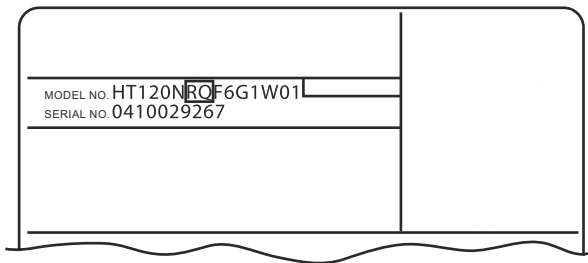
TMB2907P_70422001

Product Overview - Heat Source and Voltage

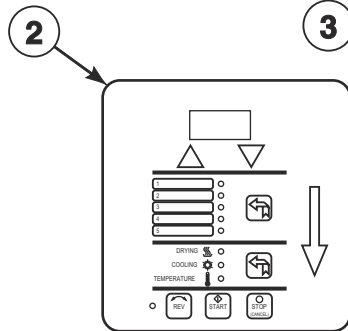
REF	PART NO.	DESCRIPTION	COMMENTS
1	-	Heat Source	E: Electric L: Liquid Petroleum Gas (L.P.) N: Natural Gas (N.G.) S: Steam T: Thermal Oil
2	-	Voltage	F6: 200-208 or 240 Volt/60 Hertz/3 Phase J5: 230 Volt/50 Hertz/3 Phase J8: 240 Volt/60 Hertz/3 Phase M1: 380 Volt/50 Hertz/3 Phase M2: 380 or 400-415 Volt/50 Hertz/3 Phase M3: 380 Volt/60 Hertz/3 Phase N1: 400-415 Volt/50 Hertz/3 Phase P1: 440 Volt/60 Hertz/3 Phase Q1: 460-480 Volt/60 Hertz/3 Phase Q2: 480 Volt/60 Hertz/3 Phase

Product Overview - Control Suffixes (Drawing 1 of 2)

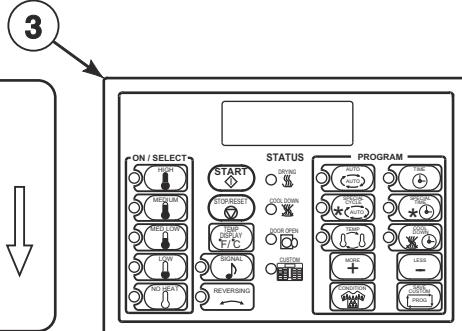
All Models Except G and K Models



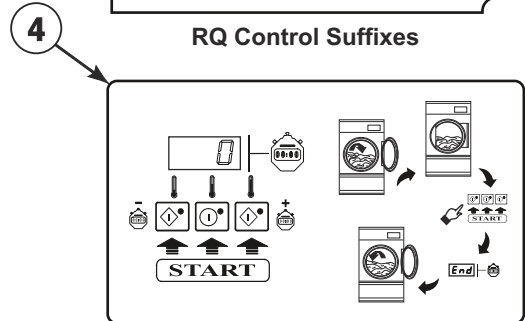
RQ Control Suffixes



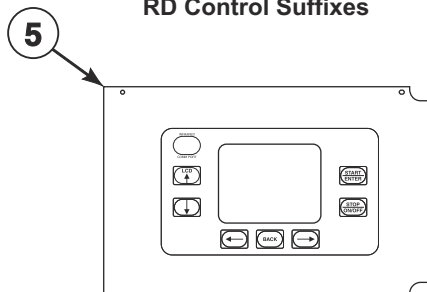
RD Control Suffixes



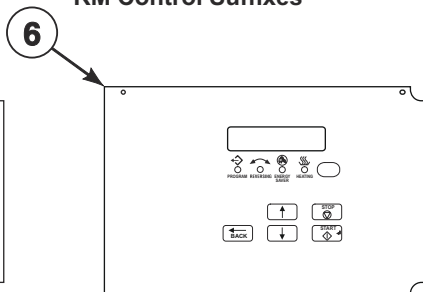
RM Control Suffixes



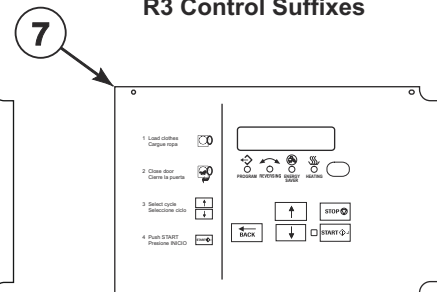
R3 Control Suffixes



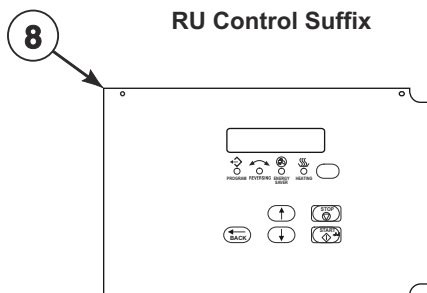
RU Control Suffix



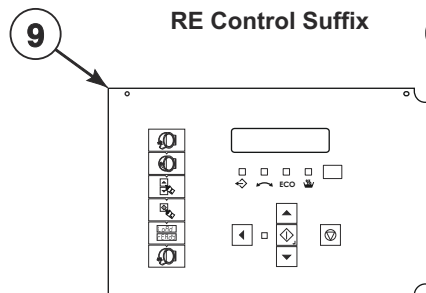
RE Control Suffix



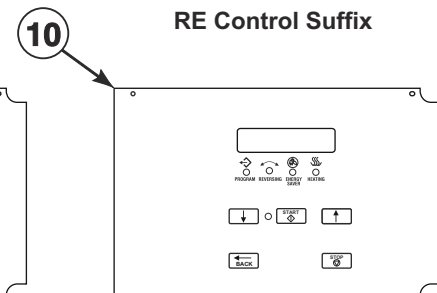
RE Control Suffix



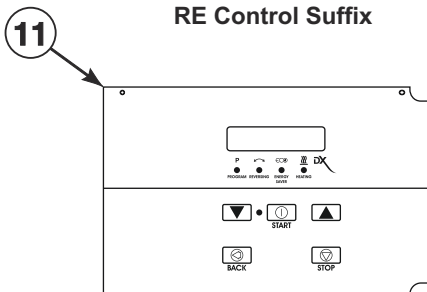
RE Control Suffix



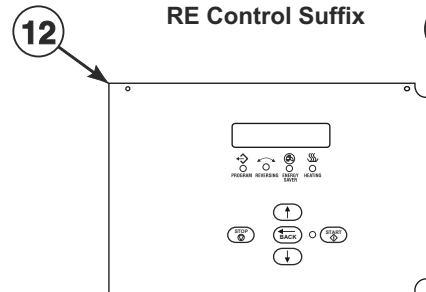
RE Control Suffix



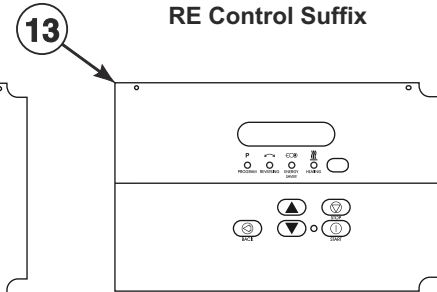
RE Control Suffix



RE Control Suffix



RE Control Suffix



RE Control Suffix

TMB3355P_70422001

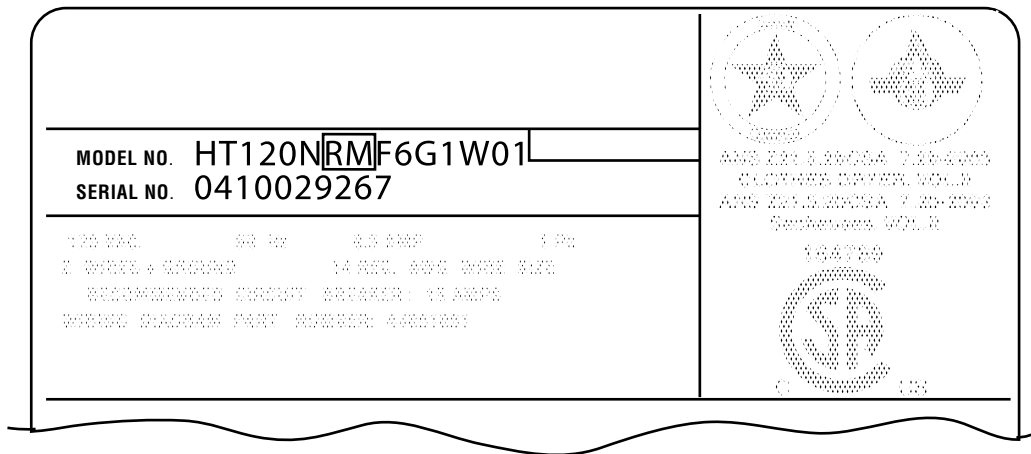
Product Overview - Control Suffixes (Drawing 1 of 2)

REF	PART NO.	DESCRIPTION	COMMENTS
1	-	Control - Reversing	RQ: reversing dual digital timer
2	-	Control - Reversing	RD: reversing DMP OPL
3	-	Control - Reversing	RM: reversing OPL micro
4	-	Control - Reversing	R3: reversing DX4 OPL
5	-	Control - Reversing	U models; RU: reversing UniLinc OPL
6	-	Control - Reversing	S models; RE: reversing LED OPL
7	-	Control - Reversing	H models; RE: reversing LED OPL
8	-	Control - Reversing	U models; RE: reversing LED OPL
9	-	Control - Reversing	B, C, and I models; RE: reversing LED OPL
10	-	Control - Reversing	P models; Models through 9/30/14; RE: reversing LED OPL
11	-	Control - Reversing	P models; Models starting 10/1/14 through 5/31/15; RE: reversing LED OPL
12	-	Control - Reversing	N and Y models; L models through 5/31/15; RE: reversing LED OPL
13	-	Control - Reversing	L and P models; Models starting 6/1/15; RE: reversing LED OPL

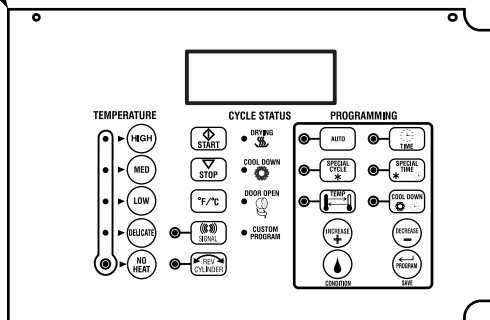
NOTE: OPL models have the following control suffixes: R3, RD, RE, RM, RQ and RU.

Product Overview - Control Suffixes (Drawing 2 of 2)

G and K Models

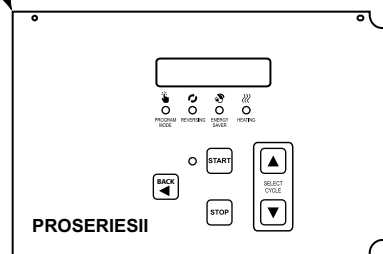


1



RM Control Suffixes

2



RE Control Suffix

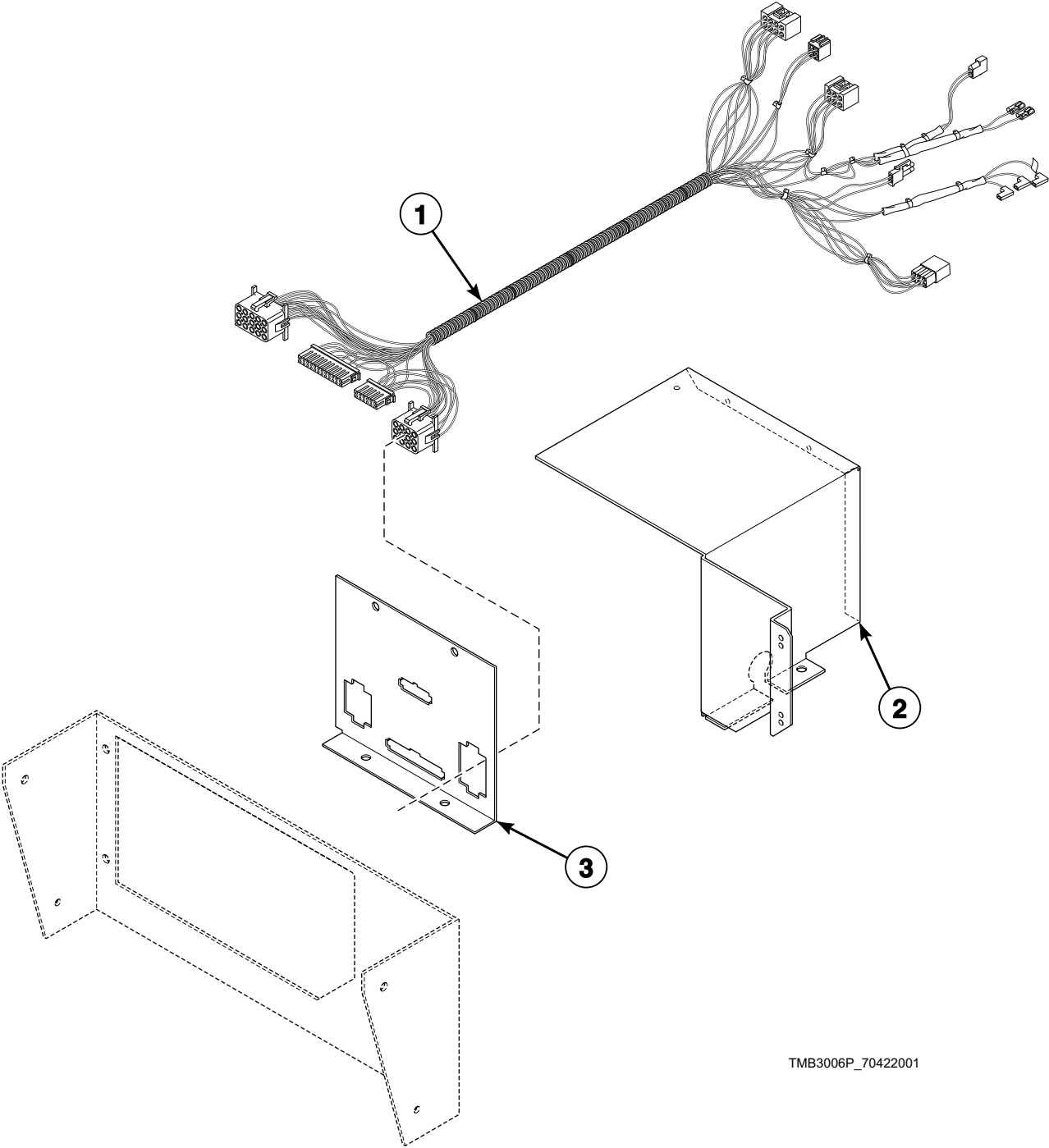
TMB3145P_70422001

Product Overview - Control Suffixes (Drawing 2 of 2)

REF	PART NO.	DESCRIPTION	COMMENTS
1	-	Control - Reversing	RM: reversing OPL micro
2	-	Control - Reversing	RE: reversing LED OPL

NOTE: OPL models have the following control suffixes: RE and RM.

Interior Control Box



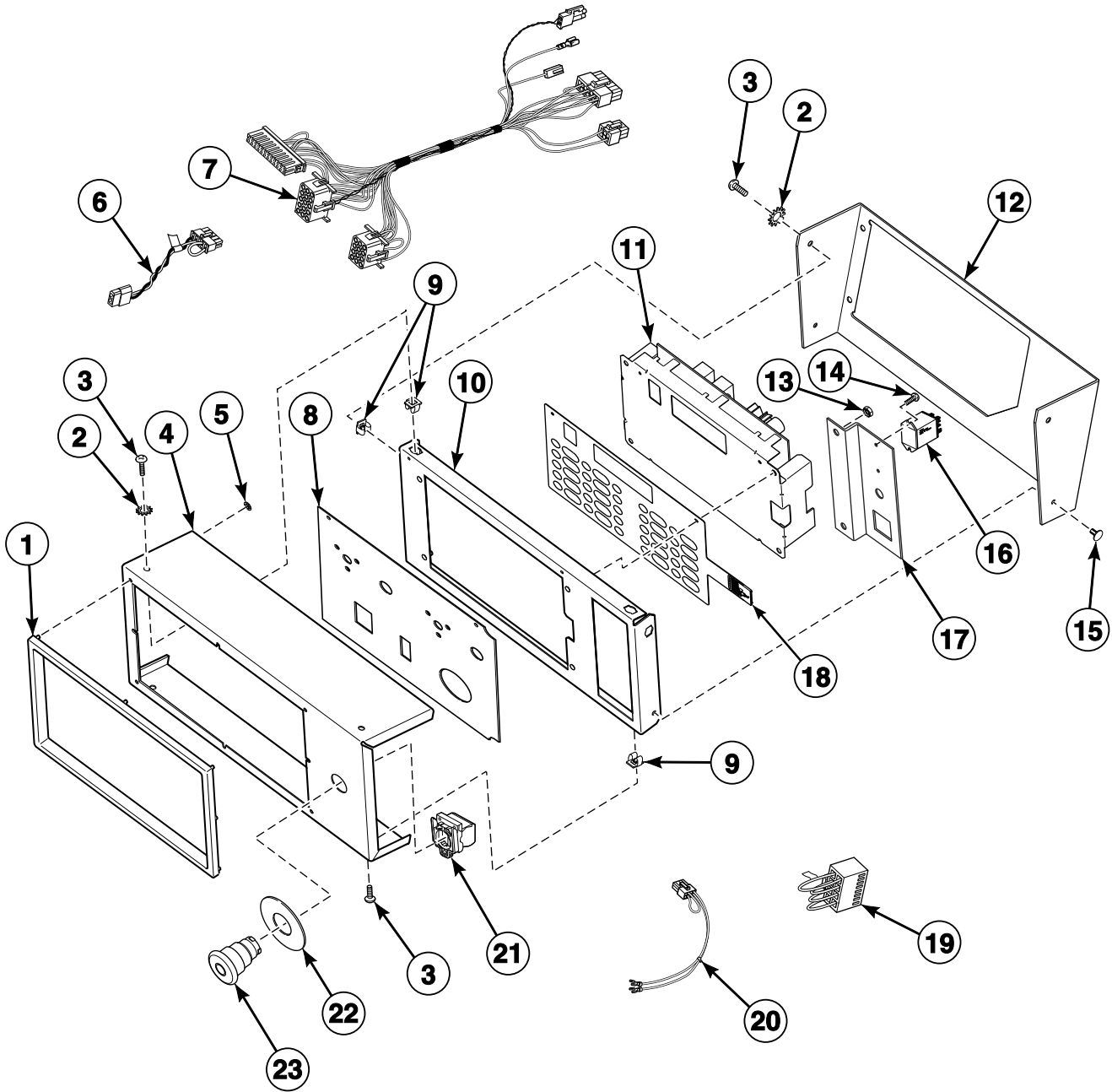
TMB3006P_70422001

Interior Control Box

REF	PART NO.	DESCRIPTION	COMMENTS
1	44162401	Main Harness	Models through 7/31/11
	44243701	Main Harness	Steam models starting 8/1/11; Gas models starting 8/1/11 through 3/10/13
	44251301	Main Harness	Gas models starting 3/11/13
	44227501	Main Harness	Electric models
2	44161001	Control Box	
3	44161101	Control Housing Cover	

Exterior Control Box - RM Control Suffix

H, S and U Models Through 7/31/11
G, K, L, P, X and YU Models Through 1/1/12



TMB3294P_70422001

Exterior Control Box - RM Control Suffix

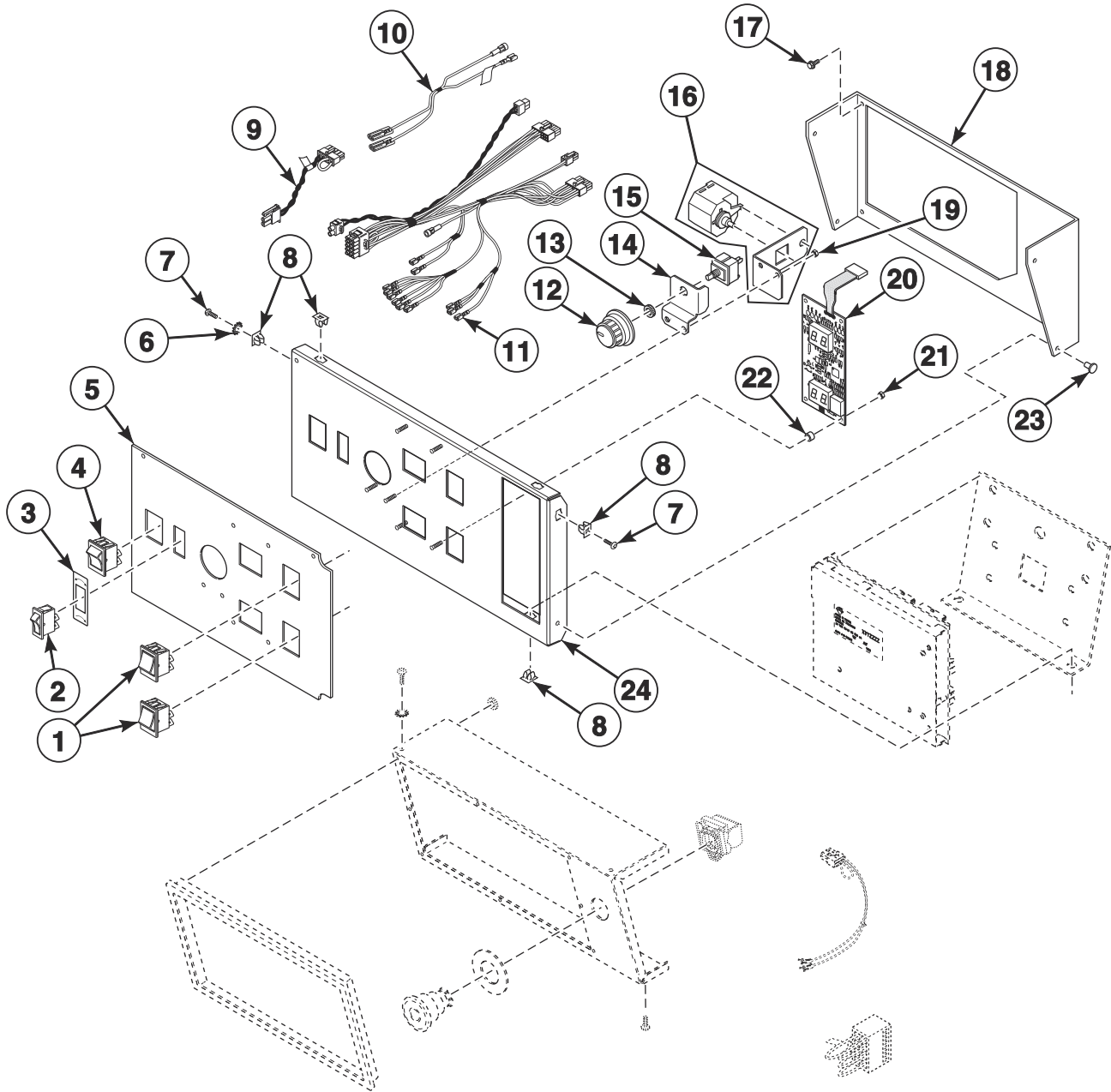
REF	PART NO.	DESCRIPTION	COMMENTS
	M413930P	Ferrite Core Assembly	2 required
	M4795P3W	Security Cover Kit	
	M4457P3	RC Filter Kit	Includes (2) F330217P RC Filter and instructions
1	44016401	Control Trim	Black; G, K, L, P, S, U, X and YU models
	44016402	Control Trim	Gray; H models
2	03815	Washer	2 required
3	800930	Screw	6 required
4	44111701*	Control Cover	G and K non-CE models
	44111717	Control Cover	G and K non-CE models; Stainless steel
	44013307*	Control Cover	All other non-CE models
	N/A	Control Cover	All other non-CE models; Stainless steel
	44111705W	Control Cover	GU and KU models
	N/A	Control Cover	All other CE models
	44111706	Control Cover	GU and KU models; Stainless steel
	44013306	Control Cover	XU and YU models; Stainless steel
	44013319	Control Cover	All other CE models; Stainless steel
5	M400977	Nut	8 required per control trim
6	70084305	Jumper Calibration Wire	
7	70335301P	Control Panel Harness	Non-CE models
	70382701P	Control Panel Harness	CE models
8	70128401	Overlay	S, U, X and YU models; Text
	70130501	Overlay	L, S and U models; Icon
	70128601	Overlay	H models; Text
	70130701	Overlay	H models; Icon
	70135301	Overlay	P models
	44130001	Overlay	G and K models; Text and icon
9	70030501	Expansion Clip	6 required per control plate
10	44029601	Control Plate Assembly	Includes studs
11	70228401P	Control Kit	Includes tape
12	44099501W	Control Mounting Bracket	G and K models
	44012801W	Control Mounting Bracket	All other models
13	70054	Nut	4 required per control plate
14	430497	Screw	4 required
15	M400713	Drive Rivet	2 required
16	M412534	Relay	CE models
17	44041701	Relay/Buzzer Bracket	
18	M414368P	Membrane Switch	
19	70364103	Bypass Harness	Non-CE models
20	70364105P	Emergency Stop Contact Harness	1 contact; CE models
	70364106P	Emergency Stop Harness	2 contacts; CE models
21	F200233400	Contact Block Switch	CE models; Models through 8/17/14
	F8069501	Contact Switch	CE models; Models starting 8/18/14
	F8538101	Contact Base	CE models; Models starting 8/18/14
22	44012901	Emergency Stop Label	CE models
23	F200233500	Emergency Stop Pushbutton	CE models

* Add Letter To Designate Color. Q - Bisque W - White

N/A = Part no longer available

Exterior Control Box - RQ Control Suffix (Drawing 1 of 2)

C, H, I, L, N, P, S, U, X and YT Models
G and K Models Starting 1/16/12



TMB3295P_70422001

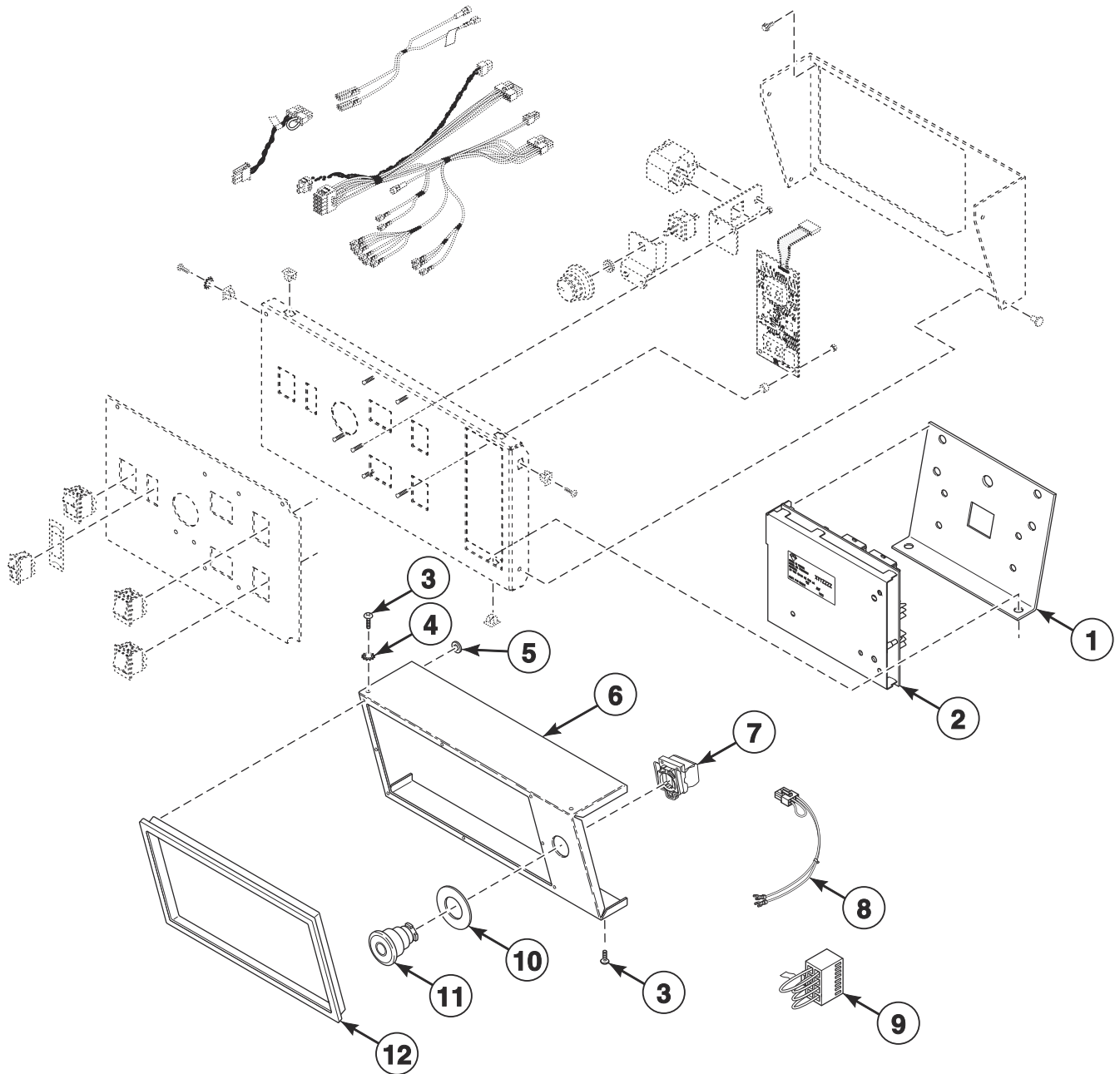
Exterior Control Box - RQ Control Suffix (Drawing 1 of 2)

REF	PART NO.	DESCRIPTION	COMMENTS
	M4795P3W	Security Cover Kit	
1	70461301	Rocker Switch	2 required
2	44099601	Rocker Switch	Reversing
3	M413236	Switch Plate	Reversing
4	70455101	Rocker Switch	Start
5	70362202	Overlay	G, K, L, N, S, X and YT models; C and I models through 7/14/14; U models through 8/17/14; P models starting 1/15/15
	70504702	Overlay	C and I models starting 7/15/14; Reversing
	70494002	Overlay	U models; Models starting 8/18/14
	70362502	Overlay	H models
	70362402	Overlay	P models through 1/14/15
6	03815	Washer	
7	800930	Screw	
8	70030501	Expansion Clip	6 required
9	70324604	Jumper Calibration Wire	
10	44100101P	Control Harness	Jumper
11	70367001P	Control Panel Harness	
12	44104601	Temperature Knob	
13	24205	Nut	
14	70391701	Temperature Selector Switch Bracket	
15	D511711	Temperature Selector Switch	
16	M4860P3	Buzzer Kit	Includes bracket, buzzer and wire harness
17	430497	Screw	
18	44099504LG	Control Mounting Bracket	Light gray; U models
	44099501*	Control Mounting Bracket	
	44099502	Control Mounting Bracket	Stainless steel; Models through 3/31/15
	44099505	Control Mounting Bracket	Stainless steel; Models starting 4/1/15
19	70054	Nut	2 required
20	D512218P	Display Assembly	C and I models through 7/14/14; All other models
	70503101P	Control Assembly	C and I models starting 7/15/14
21	29787	Nut	4 required
22	56079	Panel Locator	4 required
23	M400713	Drive Rivet	2 required
24	44099201	Control Plate and Studs Assembly	Includes stud

* Add Letter To Designate Color. Q - Bisque W - White

Exterior Control Box - RQ Control Suffix (Drawing 2 of 2)

C, H, I, L, N, P, S, U, X and YT Models
G and K Models Starting 1/16/12



TMB3295PA_70422001

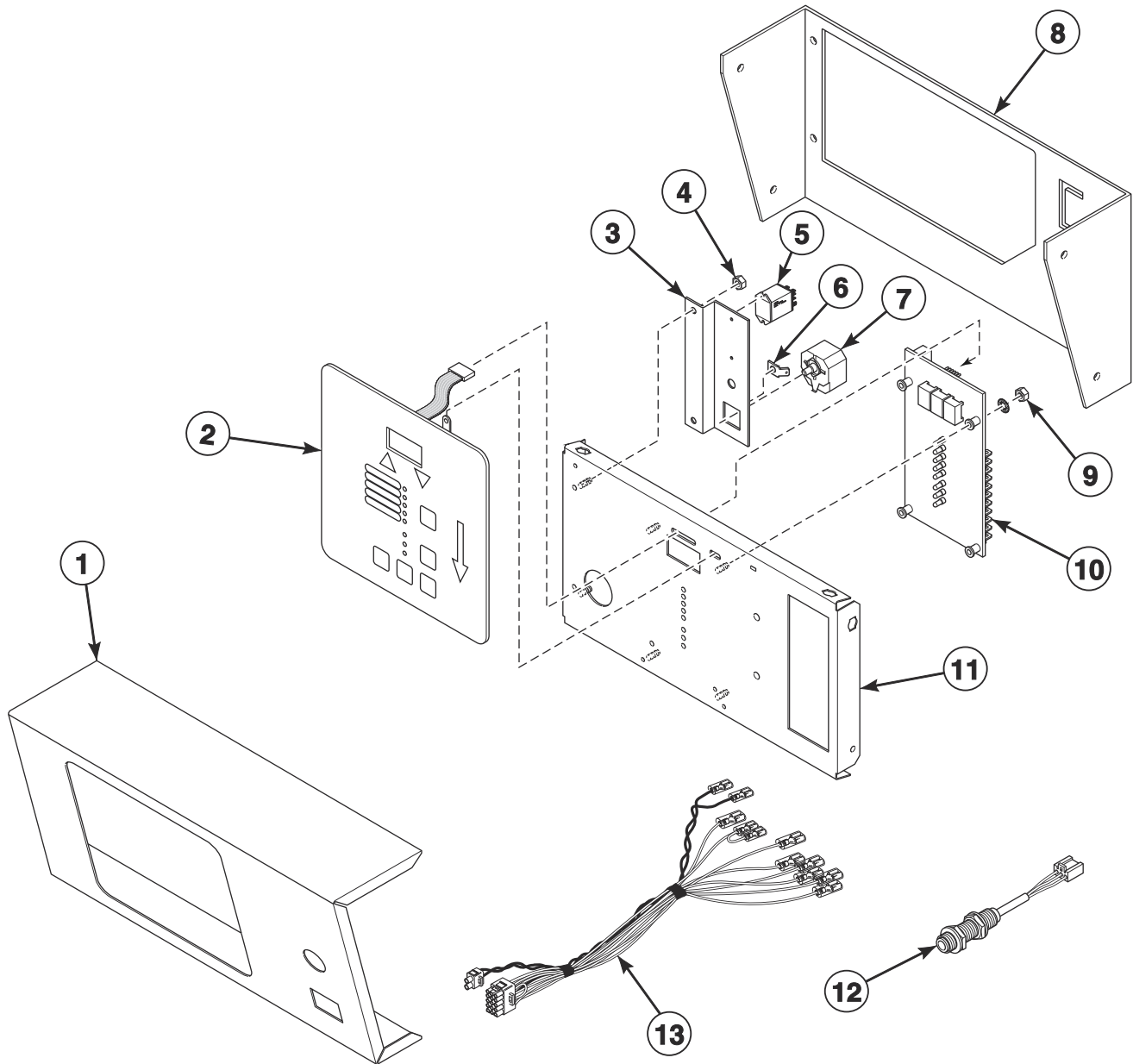
Exterior Control Box - RQ Control Suffix (Drawing 2 of 2)

REF	PART NO.	DESCRIPTION	COMMENTS
	M4795P3W	Security Cover Kit	
1	70357901	Control Chassis Mounting Bracket	
2	D512202P	Control Assembly	
3	800930	Screw	
4	03815	Washer	
5	M400977	Nut	
6	44111713LG	Control Cover	Non-CE and non-Australian U models; Light gray
	44013307*	Control Cover	Non-CE models
	44013308	Control Cover	Non-CE models through 3/31/15; Stainless steel
	44013317	Control Cover	Non-CE models starting 4/1/15; Stainless steel
	44111714LG	Control Cover	CE U gas models; Light gray
	44111715LG	Control Cover	CE U steam and electric models; Light gray
	44111716LG	Control Cover	Australian U models; Light gray
	44013311*	Control Cover	CE models
	44013319	Control Cover	CE models; Stainless steel
7	F200233400	Contact Block Switch	CE models; Models through 8/17/14
	F8069501	Contact Switch	CE models; Models starting 8/18/14
	F8538101	Contact Base	CE models; Models starting 8/18/14
8	70364105P	Emergency Stop Contact Harness	1 contact; CE models
	70364106P	Emergency Stop Harness	2 contacts; CE models
9	70364103	Bypass Harness	Non-CE models
10	44012901	Emergency Stop Label	CE models
11	F200233500	Emergency Stop Pushbutton	CE models
12	44016401	Control Trim	Black; N, S, U, X and YT models
	44016402	Control Trim	Gray; H models

* Add Letter To Designate Color. Q - Bisque W - White

DMP Control Box - C and I Models with RD Control Suffix

Models Through 7/31/11



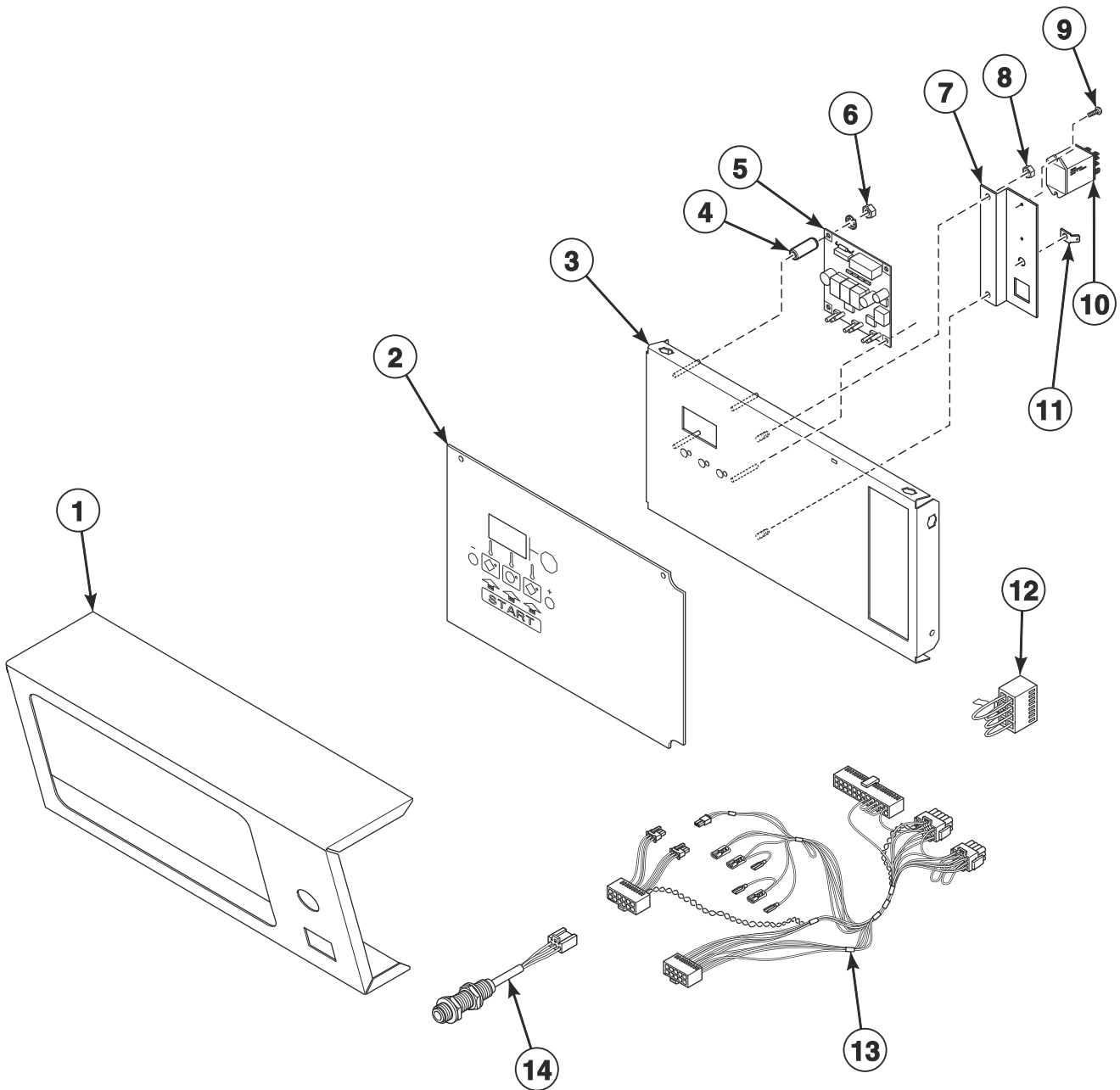
TMB3800P_70422001

DMP Control Box - C and I Models with RD Control Suffix

REF	PART NO.	DESCRIPTION	COMMENTS
	M413930P	Ferrite Core Assembly	Use with item 13
1	44040107*	Control Cover	Non-CE models
	44040108	Control Cover	Non-CE models; Stainless steel
	44040111*	Control Cover	CE models
	44040112	Control Cover	CE models; Stainless steel
2	44037901P	Membrane Switch	
3	44041701	Relay/Buzzer Bracket	
4	70054	Nut	2 required
5	M412534	Relay	CE models
6	00177	Male Tab Terminal	
7	D505447	Adjustable Buzzer	
8	44040201*	Control Mounting Bracket	Non-CE models
	44040202	Control Mounting Bracket	Non-CE models; Stainless steel
9	29787	Nut	4 required
10	44037801P	Electronic Control	
11	44041101	Control Plate Assembly	
12	7010P	Rotation Sensor Kit	
13	70341801P	Control Panel Harness Assembly	Non-CE and non-Australian models
	70342001P	Control Panel Harness	CE and Australian models

* Add Letter To Designate Color. **Q** - Bisque **W** - White

DX4 Control Box - B Models with R3 Control Suffix



TMB3801P_70422001

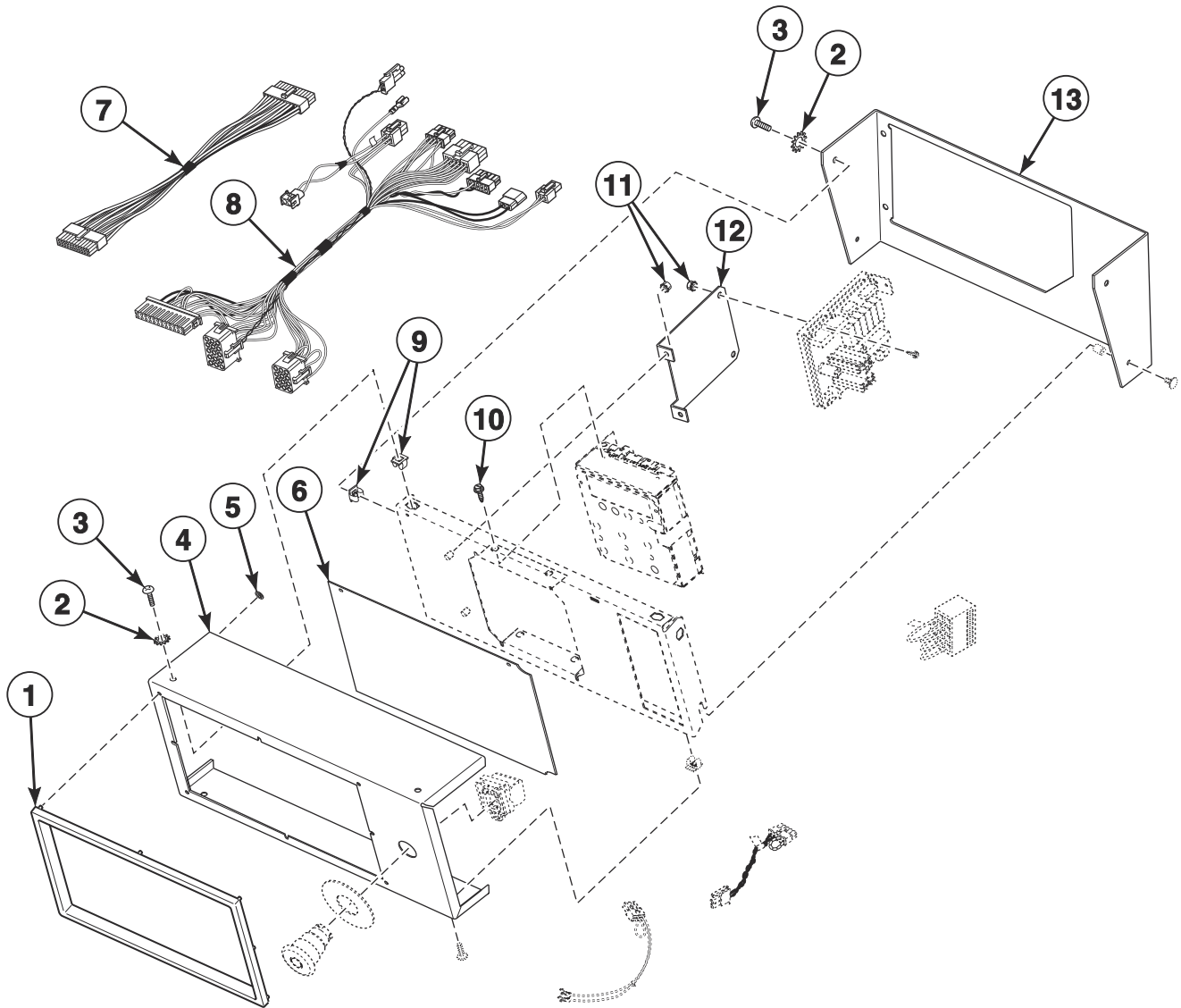
DX4 Control Box - B Models with R3 Control Suffix

REF	PART NO.	DESCRIPTION	COMMENTS
	M413930P	Ferrite Core Assembly	Use with item 11
1	44111701*	Control Cover	Non-CE models
	44111717	Control Cover	Non-CE models; Stainless steel
	44111705*	Control Cover	CE models
	44111706	Control Cover	CE models through 3/31/15; Stainless steel
	44111719	Control Cover	CE models starting 4/1/15; Stainless steel
2	44240501	Graphic Overlay	
	259/00005/00	Overlay	PRO HC control replacement; Refer to Parts Information Insert 8-18-251 for list of machine serial numbers
3	44038601	Control Plate Assembly	CE models
4	44050601	Sleeve	4 required
5	70462307P	Control Assembly	
	254/00070/00P	Control Board	PRO HC control replacement; Refer to Parts Information Insert 8-18-251 for list of machine serial numbers
6	29787	Nut	4 required
7	44041701	Relay/Buzzer Bracket	
8	70054	Nut	
9	D501086	Screw	
10	M412534	Relay	CE models
11	00177	Male Tab Terminal	
12	70364103	Bypass Harness	Non-CE models
13	70485301	Control Panel Harness	Non-CE and non-Australian models
	70489901	Control Panel Harness	CE and Australian models
14	7010P	Rotation Sensor Kit	

* Add Letter To Designate Color. Q - Bisque W - White

Exterior Control Box - RE Control Suffix (Drawing 1 of 2)

B, C, H, I, N, S and U Models
G, K, L, P and Y Models Starting 1/16/12



TMB3296P_70422001

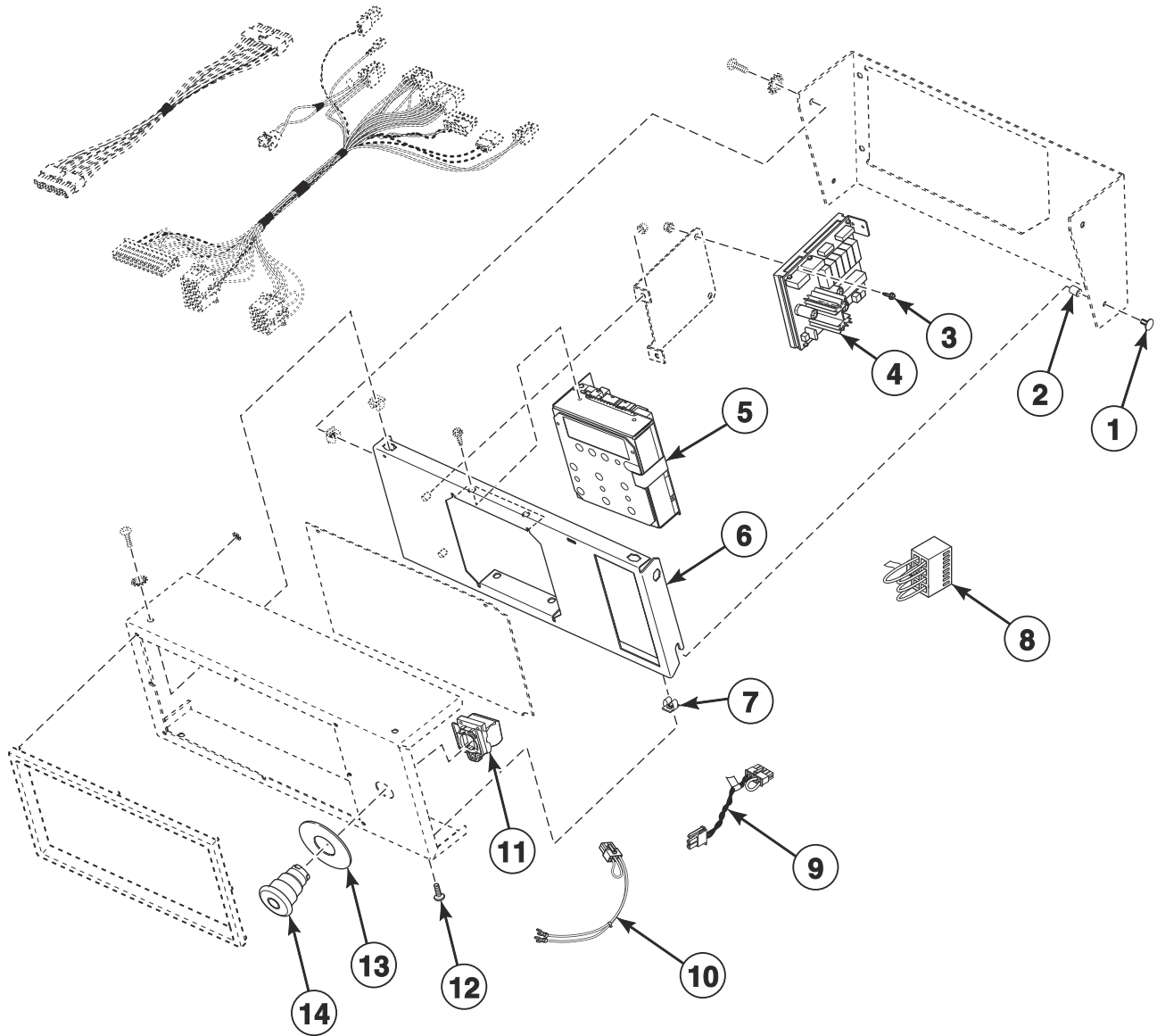
Exterior Control Box - RE Control Suffix (Drawing 1 of 2)

REF	PART NO.	DESCRIPTION	COMMENTS
	203346	USB IR Interface Kit	
1	44016401	Control Trim	Black; N, P, S and U models
	44016402	Control Trim	Gray; H models
2	03815	Washer	2 required
3	800930	Screw	6 required
4	44013315DG	Control Cover	Dark gray; Non-CE P models; Models starting 10/1/14
	44013307*	Control Cover	Non-CE P models through 9/30/14; All other non-CE models
	44111713LG	Control Cover	Light gray; Non-CE U models
	44013308	Control Cover	Non-CE models through 3/31/15; Stainless steel
	44013317	Control Cover	Non-CE models starting 4/1/15; Stainless steel
	44013316DG	Control Cover	Dark gray; CE P models; Models starting 10/1/14
	44013311*	Control Cover	CE P models through 9/30/14; All other CE models
	44111715LG	Control Cover	Light gray; CE U models
	44013319	Control Cover	CE models; Stainless steel
5	M400977	Nut	
6	70445002	Overlay	S models
	70445004	Overlay	H models
	70462401	Overlay	B, C, and I models; Models through 7/14/14
	70504901	Overlay	B, C, and I models; Models starting 7/15/14
	70462701	Overlay	U models; Models through 8/17/14
	70493701	Overlay	U models; Models starting 8/18/14
	70462901	Overlay	G and K models
	70472401	Overlay	P models; Models through 9/30/14
	70508601	Overlay	P models starting 10/1/14 through 5/31/15; L models starting 1/29/15 through 5/31/15
	70472201	Overlay	N and Y models; L models through 1/28/15
70526001	Overlay	L and P models starting 6/1/15	
7	44186101	Output Harness	Use between control assemblies
8	44240301	Control Panel Harness	Goes from control assembly to main harness
9	70030501	Expansion Clip	6 required per control plate
10	D501524	Screw	
11	70054	Nut	
12	44223101	Output Bracket	
13	44099504DG	Control Mounting Bracket	Dark gray; P models; Models starting 10/1/14
	44099501W	Control Mounting Bracket	P models through 9/30/14; All other models
	44099504LG	Control Mounting Bracket	Light gray; U models
	44099502	Control Mounting Bracket	All models except P models through 3/31/15; Stainless steel
	44099505	Control Mounting Bracket	All models except P models starting 4/1/15; Stainless steel

* Add Letter To Designate Color. Q - Bisque W - White

Exterior Control Box - RE Control Suffix (Drawing 2 of 2)

B, C, H, I, N, S and U Models
G, K, L, P and Y Models Starting 1/16/12



TMB3296PA_70422001

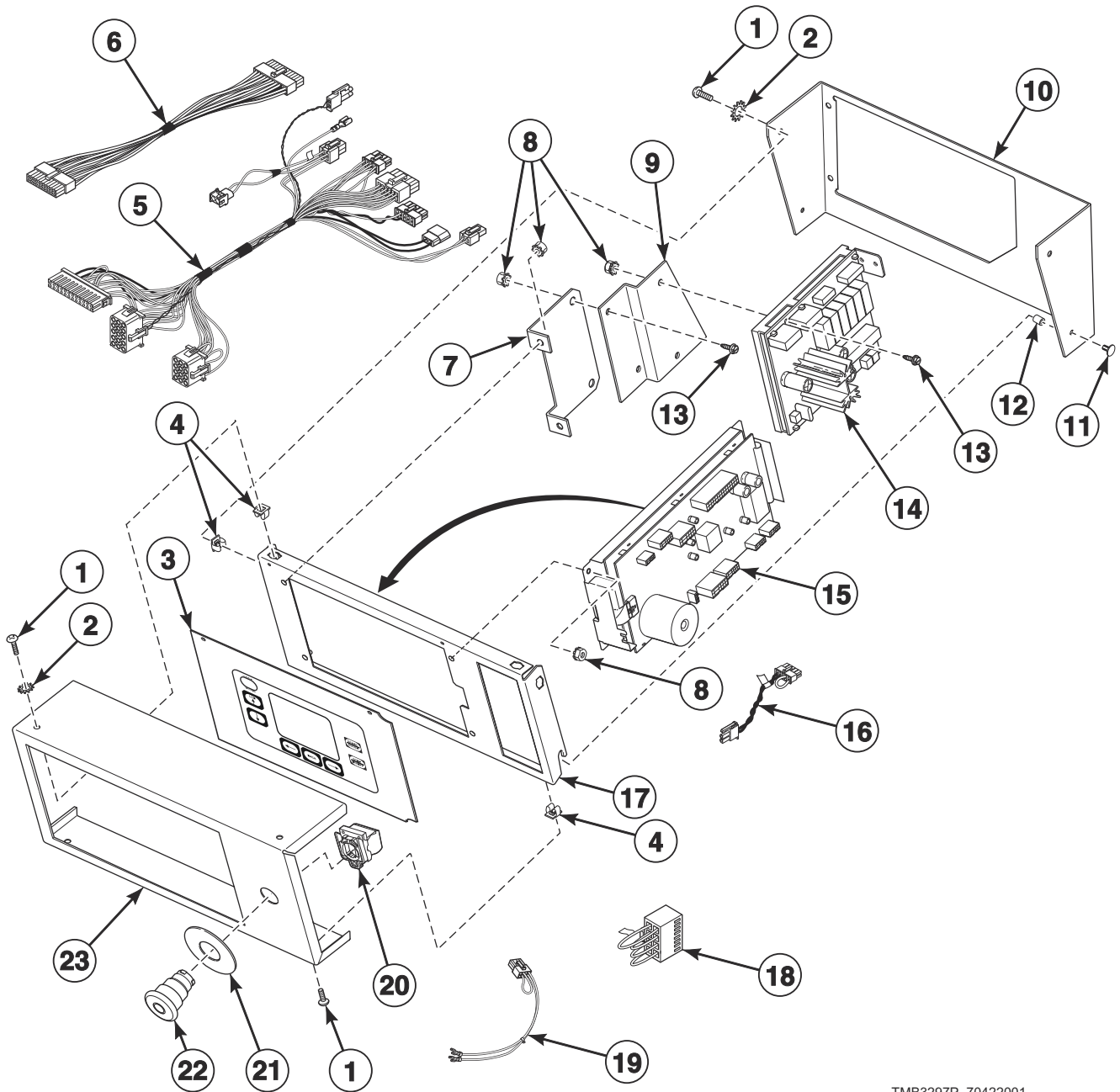
Exterior Control Box - RE Control Suffix (Drawing 2 of 2)

REF	PART NO.	DESCRIPTION	COMMENTS
1	430725	Pop Rivet	2 required
2	431264	Spacer	2 required
3	D501524	Screw	
4	70434101P	Control Assembly	
5	70454101P	Control Assembly	H, S and U models; L and P models starting 6/1/15
	70437102P	Control Assembly	B, C, and I models; Models through 7/14/14
	70503702P	Control Assembly	B, C, and I models; Models starting 7/15/14
	70437103P	Control Assembly	P models through 5/31/15; L models starting 1/29/15 through 5/31/15
	70437104P	Control Assembly	G and K models
	70437105P	Control Assembly	N and Y models; L models through 1/28/15
6	44185701	Control Plate and Studs Assembly	
7	70030501	Expansion Clip	6 required per control plate
8	70364103	Bypass Harness	Non-CE models
9	70324604	Jumper Calibration Wire	
10	70364106P	Emergency Stop Harness	2 contacts; CE models
11	F200233400	Contact Block Switch	CE models; Models through 8/17/14
	F8069501	Contact Switch	CE models; Models starting 8/18/14
	F8538101	Contact Base	CE models; Models starting 8/18/14
12	800930	Screw	6 required
13	44012901	Emergency Stop Label	CE models
14	F200233500	Emergency Stop Pushbutton	CE models

* Add Letter To Designate Color. Q - Bisque W - White

Exterior Control Box - RU Control Suffix

U Models



TMB3297P_70422001

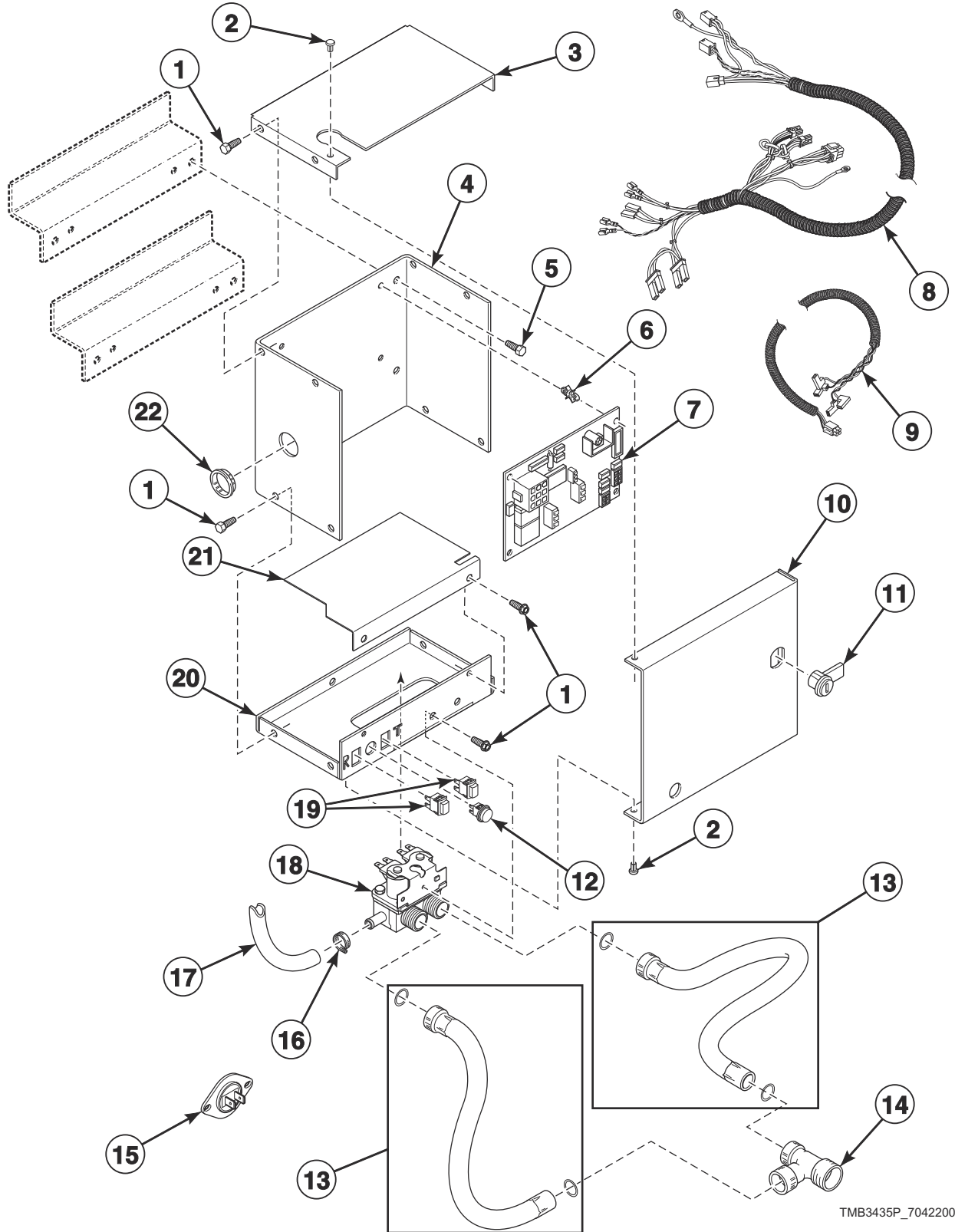
Exterior Control Box - RU Control Suffix

REF	PART NO.	DESCRIPTION	COMMENTS
	NK209	Network Retrofit Kit	Wired
	NK220	Network Controller Kit	Wired
	NK309	Wireless Network Kit	Wireless
	NK320	Ethernet Gateway Kit	Wireless
	NK330	USB Gateway Kit	Wireless
	203346	USB IR Interface Kit	
1	800930	Screw	6 required
2	03815	Washer	2 required
3	70432201	Overlay	Models through 8/17/14
	70499001	Overlay	Models starting 8/18/14
4	70030501	Expansion Clip	6 required per control plate
5	44240301	Control Panel Harness	Goes from item 15 to main harness
6	44186101	Output Harness	Use between item 14 and item 15
7	44223201	Output Bracket	
8	70054	Nut	
9	44223401	Output Bracket	
10	44099501W	Control Mounting Bracket	Models through 8/17/14
	44099504LG	Control Mounting Bracket	Models starting 8/18/14; Light gray
	44099502	Control Mounting Bracket	Stainless steel; Models through 3/31/15
	44099505	Control Mounting Bracket	Stainless steel; Models starting 4/1/15
11	430725	Pop Rivet	2 required
12	431264	Spacer	2 required
13	D501524	Screw	
14	70434101P	Control Assembly	
15	70454001P	Control Assembly	
16	70324604	Jumper Calibration Wire	
17	44224601	Control Plate Assembly	
18	70364103	Bypass Harness	Non-CE models
19	70364106P	Emergency Stop Harness	2 contacts; CE models
20	F200233400	Contact Block Switch	CE models; Models through 8/17/14
	F8069501	Contact Switch	CE models; Models starting 8/18/14
	F8538101	Contact Base	CE models; Models starting 8/18/14
21	44012901	Emergency Stop Label	CE models
22	F200233500	Emergency Stop Pushbutton	CE models
23	44013307*	Control Cover	Non-CE models; Models through 8/17/14
	44111701*	Control Cover	Non-CE models; Models starting 8/18/14
	44111713LG	Control Cover	Non-CE models; Models starting 8/18/14
	44013308	Control Cover	Non-CE models through 3/31/15; Stainless steel
	44013317	Control Cover	Non-CE models starting 4/1/15; Stainless steel
	44013311*	Control Cover	CE models; Models through 8/17/14
	44111705*	Control Cover	CE steam and electric models; Models starting 8/18/14
	44111703*	Control Cover	CE gas models; Models starting 8/18/14
	44111715LG	Control Cover	CE models; Models starting 8/18/14
	44013319	Control Cover	CE models; Stainless steel

* Add Letter To Designate Color. Q - Bisque W - White

Fire Suppression System Control Box

B, C, G, H, I, K, L, P, S and U Gas and Steam Models
Models Through 7/31/11 with a K, L, N, T, U or W in the 11th Character (ST120NRTF6K1W01)
Models Starting 8/1/11 with a C, D or Y in the 11th Character

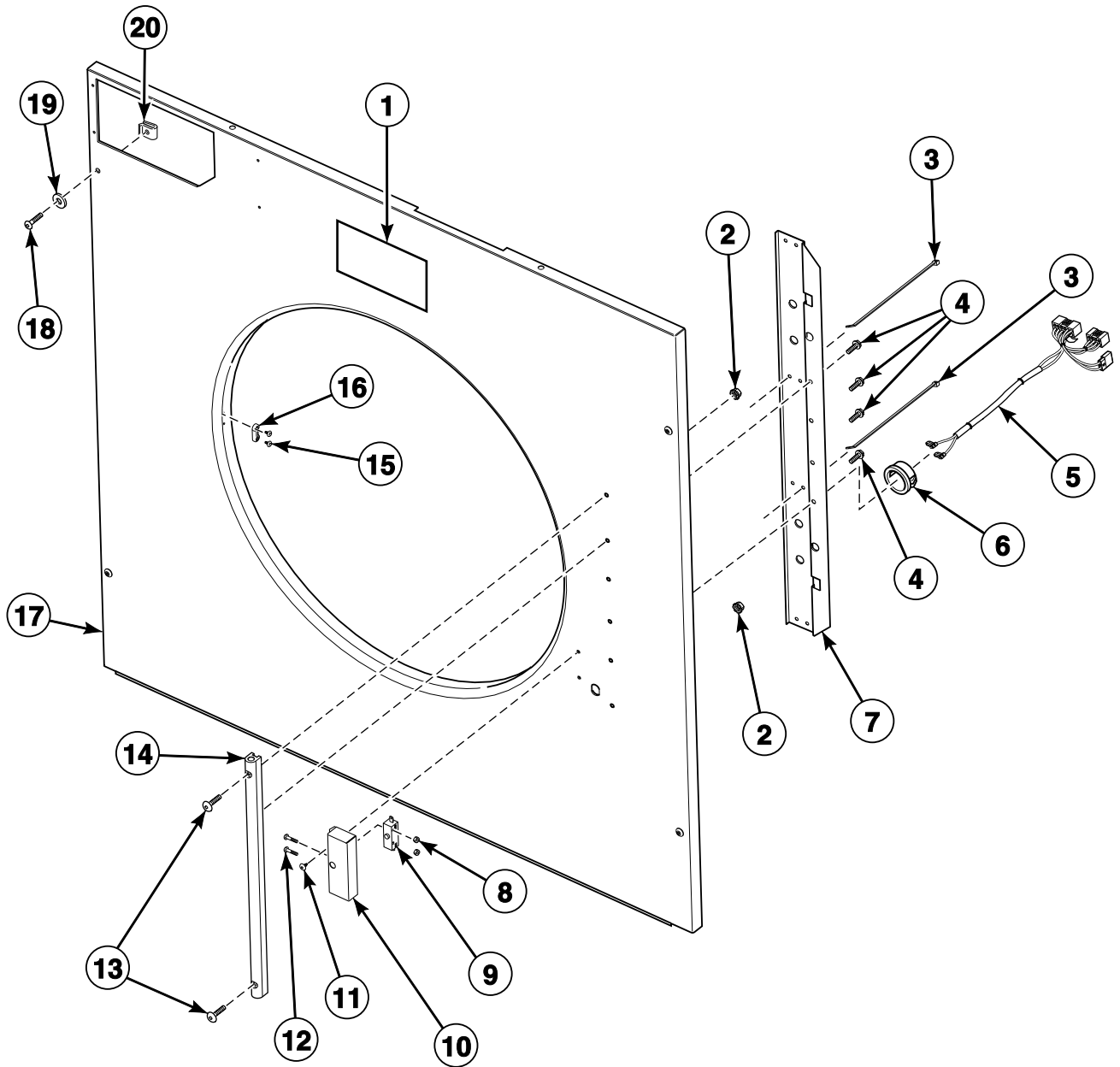


TMB3435P_70422001

Fire Suppression System Control Box

REF	PART NO.	DESCRIPTION	COMMENTS
	44079601	Manifold	Gas models
	44079602	Manifold	Steam models
1	430497	Screw	
2	M400713	Drive Rivet	
3	44065401	Control Box Top	Top
4	44065101	Control Box Housing	
5	51780	Screw	
6	D501523	Circuit Board Support	4 required
7	44063801P	Control	
8	44162601	Control Harness	
9	44166801	Sensor Harness Assembly	
10	44065201	Control Box Cover	
11	44089301P	Lock, Key and Nut Kit	RL001 key code
	70155601	Key	RL001
12	801432	Light	Red
13	44069101	Hose Fitting	Non-CE and non-Australian models
14	F200116	Water Hose	2 required; Non-CE and non-Australian models
	38349P	Fill Hose Kit	CE and Australian models
15	44064701	Thermistor	2 required
16	36801	Hose Clamp	
17	44073302	Hose	21 inches; Outlet hose
18	36958P	Mixing Valve	
19	801434W	Push-to-Start Switch	2 required
20	44065301	Control Box Base	
21	44065701	Mixing Valve Shield Bracket	
22	70178701	Snap Bushing	

Cabinet Front Components

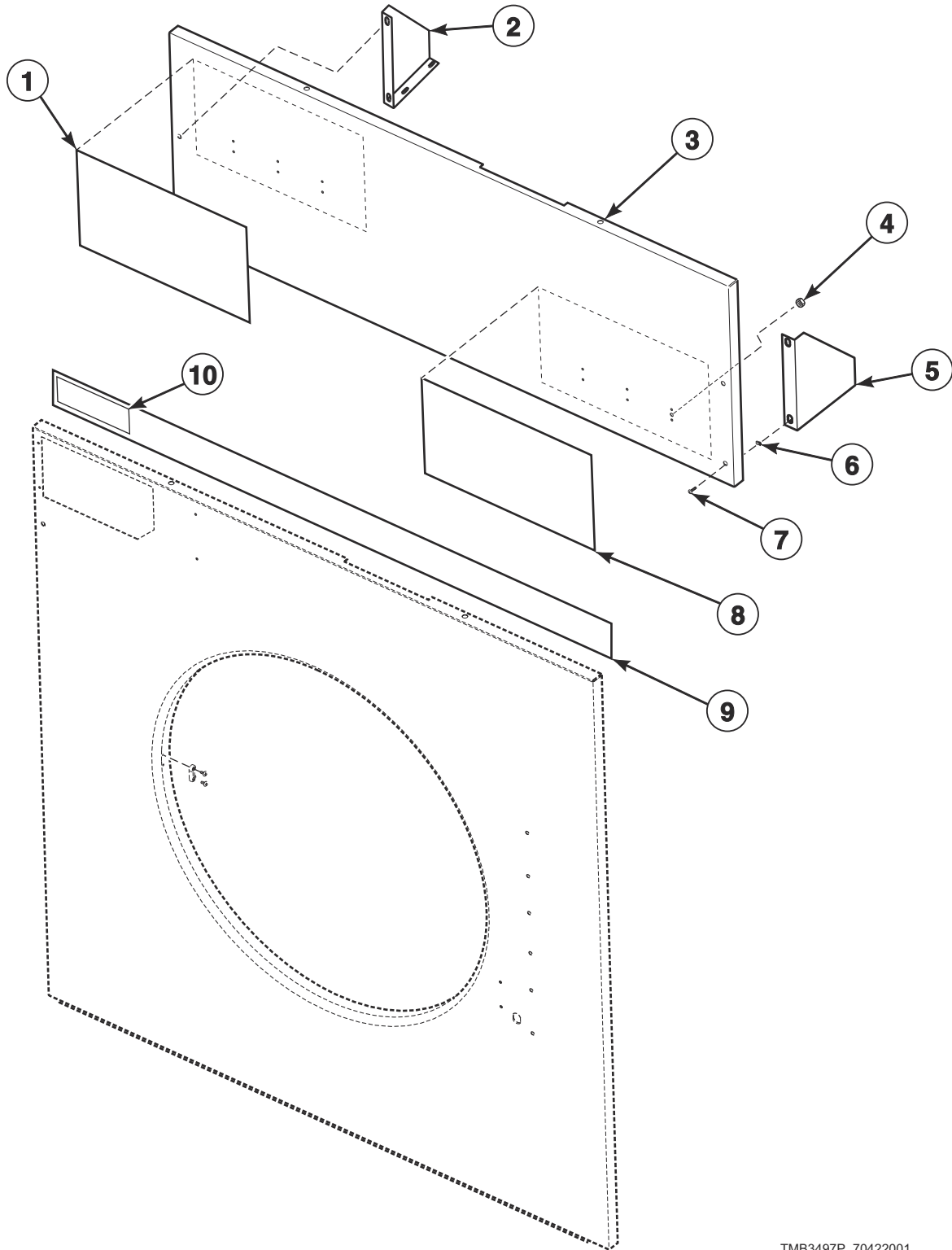


TMB3198P_70422001

Cabinet Front Components

REF	PART NO.	DESCRIPTION	COMMENTS
	298P4P	Spray Paint	White
	122P4P	Porcelain Touch-Up Paint	White
	370P4P	Porcelain Touch-Up Paint	Bisque
1	70537001	Label	B, C, H, I, S and U models; C.A.R.E.
	70537101	Label	G and K models; F.S.S.
	44190901	Label	L and P models; Safe Tech
2	29786	Nut	2 required
3	55881	Harness Strap	2 required; Front panel harness to door switch wire channel
4	44023301	Screw	4 required
5	44162501	Door Switch Harness	
6	M400770	Snap Bushing	Required for door switch harness going through frame
7	44001801	Door Switch Wire Channel	
8	02788	Nut	2 required
9	44018201	Door Switch	
10	44001301	Door Switch Cover	
11	431287	Screw	2 required
12	M402574	Screw	2 required
13	70033504	Screw	2 required
14	44035001	Door Hinge Lug Assembly	Includes bushings; C, H, L, N, P, S, U, X and Y models; B and I models through 7/31/11
	44035002	Door Hinge Lug Assembly	Black; G and K models; B and I models starting 8/1/11
15	44166601	Pop Rivet	2 required
16	M401223	Door Latch	
17	44012406DG	Front Panel	Dark gray; P models; Models starting 10/1/14
	44012403LG	Front Panel	Light gray; U models; Models starting 8/18/14; Gray
	44012404	Front Panel	U models; Models starting 8/18/14 through 3/31/15; Stainless steel
	44012408	Front Panel	U models; Models starting 4/1/15; Stainless steel
	44012405W	Front Panel	U models; Models starting 8/18/14; White
	44012406W	Front Panel	P models through 9/30/14 and starting again 7/1/17; U models through 8/17/14; All other models
	44012402	Front Panel	U models through 8/17/14; All other models through 3/31/15; Stainless steel
	44078003	Front Panel	All models except P and U starting 4/1/15; Stainless steel
18	70182601	Screw	4 required per panel
19	800465	Washer	4 required per panel
20	70030401	Nut	Access and front panel attachment

Cabinet Front Panels and Nameplates



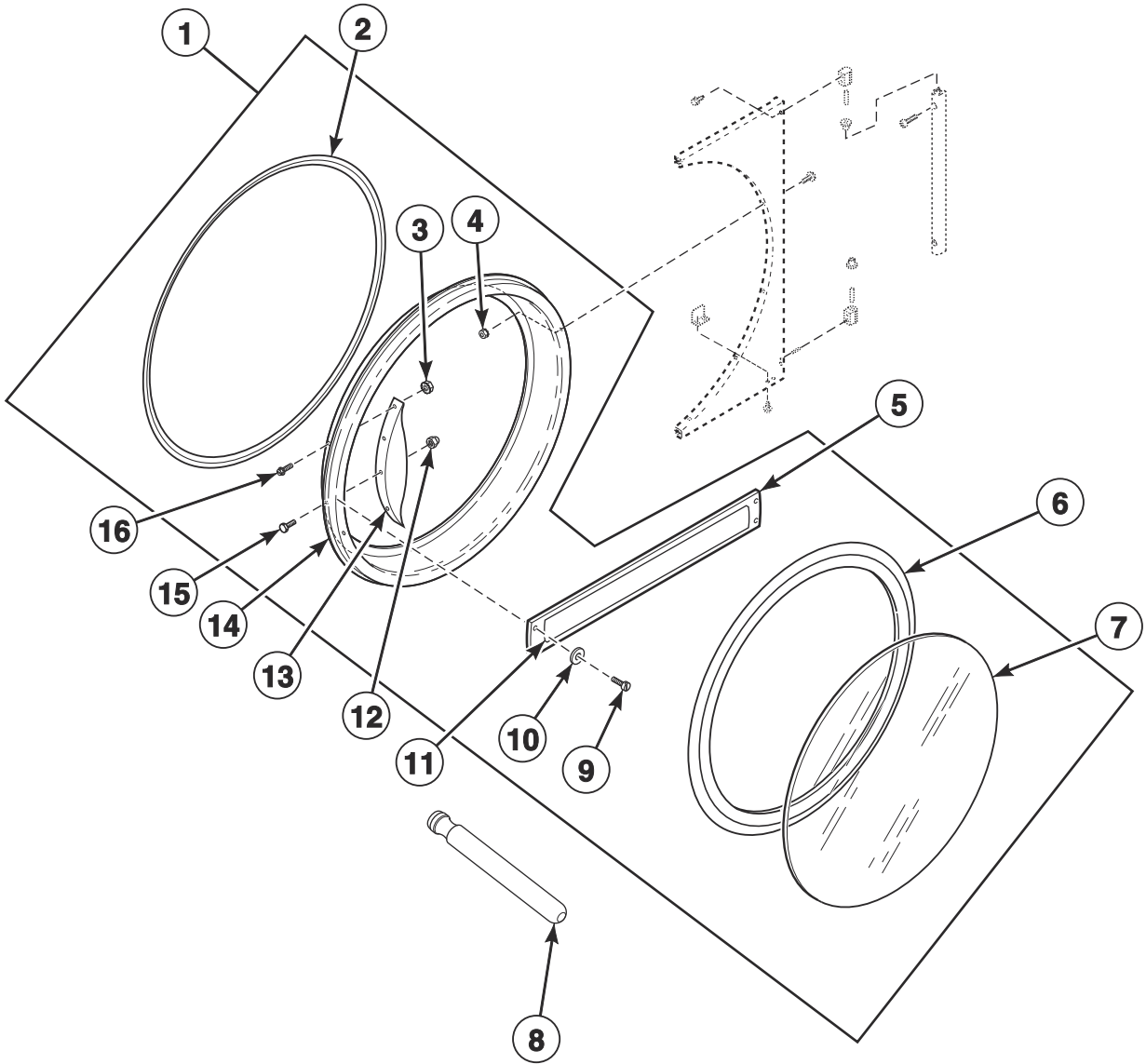
TMB3497P_70422001

Cabinet Front Panels and Nameplates

REF	PART NO.	DESCRIPTION	COMMENTS
	M4786P3	Front Access Panel and Door Hinge Kit	B and I models; To change from old look to new look
1	70348501	Nameplate	C models
	44046801	Nameplate	B and I models through 7/9/12
	B12389801	Nameplate	B and I models starting 7/10/12
2	44028202DG	Top Access Panel Gusset	Dark gray; P models starting 10/1/14; L models starting 1/29/15; Left
	44028202*	Top Access Panel Gusset	P models through 9/30/14; L models through 1/28/15; All other models; Left
	44028202LG	Top Access Panel Gusset	Light gray; U models; Left
3	44012601*	Access Panel	L models; P models through 9/30/14
	44012610DG	Front Access Panel	Dark gray; P models; Models starting 10/1/14
	44012602	Access Panel	L and XT models through 3/31/15; PH, PK, PT, and PU models through 9/30/14; Stainless steel
	44012611	Front Access Panel	L and P models starting 4/1/15; Stainless steel
	44012609W	Front Access Panel	C, G, H, K, L, N, S and Y models; CE B models through 7/31/11; I models through 7/31/11; U models through 8/17/14; P models through 9/30/14
	44012609B	Front Access Panel	B and I models starting 8/1/11
	44012609LG	Front Access Panel	Light gray; U models; Models starting 8/18/14
	44012608	Front Access Panel	CK, CT, HH, HK, HT, SH, SK, ST, UH and UK, UT models through 3/31/15; I models through 7/31/11; Stainless steel
	44012612	Front Access Panel	H, S, U and X models starting 4/1/15; Stainless steel
4	M400977	Nut	L and P models require 2 for access panel trim; U models starting 8/18/14 require 5
5	44028201DG	Top Access Panel	Dark gray; P models starting 10/1/14; L models starting 1/29/15; Right
	44028201*	Top Access Panel Gusset	P models through 9/30/14; L models through 1/28/15; All other models; Right
	44028201LG	Top Access Panel Gusset	Light gray; U models; Right
6	70030401	Nut	
7	70182601	Screw	4 required
8	44010401	Nameplate	H models
	44010601	Nameplate	S models
	44235401	Nameplate Overlay	U models; Models through 8/17/14
	F8443102	Nameplate	U models; Models starting 8/18/14
	70128901	Nameplate Overlay	P models; Models through 9/30/14
	70509601	Nameplate	P models; Models starting 10/1/14
	70243901	Nameplate	L models; Models through 3/27/15
	70522001	Nameplate	L models; Models starting 3/28/15
	70410201	Nameplate Overlay	G models
	44130401	Nameplate Overlay	K models
	44035801	Nameplate	X models
44104501	Nameplate Overlay	Y models	
9	70399403	Access Panel Trim	G and K models; Mounts over front panel assembly and control panel
10	70414001	Label	G and K models; Coin

* Add Letter To Designate Color. Q - Bisque W - White

Door Components

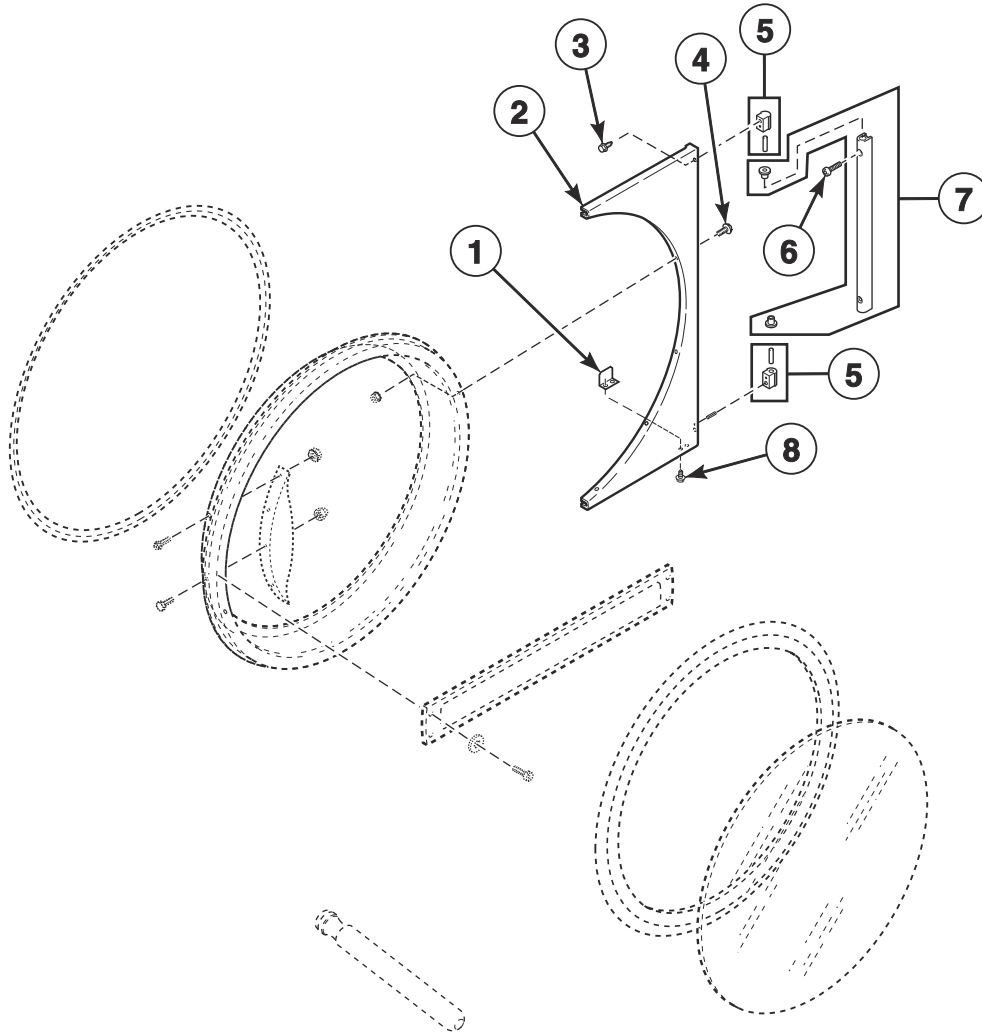


TMB3091P_70422001

Door Components

REF	PART NO.	DESCRIPTION	COMMENTS
	M4786P3	Front Access Panel and Door Hinge Kit	B and I models; To change from old look to new look
1	44058102P	Door Assembly	H models
	44028902P	Door Assembly	N and S models; U models through 8/17/14
	44266701	Door Assembly	U models; Models starting 8/18/14
	44112101	Door Assembly	B, C, and I models through 7/31/11
	44028903	Door Assembly	B, C, and I models starting 8/1/11
	44029101	Door Assembly	X and Y models; P models through 9/30/14; L models through 1/28/15
	44292301LG	Door Assembly	Light gray; P models starting 10/1/14; L models starting 1/29/15
	44292301B	Door Assembly	P models starting 7/5/16; Use with stainless steel front panel; Black
	70407401	Door Assembly	G and K models
2	44008201P	Door Ring Gasket	
3	44071201	Nut	H, N and S models; 4 required
4	23951	Nut	6 required
5	70399501B	Handle Bar	G and K models
6	70211902P	Door Seal Kit	Use Loctite 414 for seal
7	44008402P	Door Glass	H models
	44008401P	Door Glass	All other models
8	M4221P4	Door Glass Installation Tool	
9	70126301	Pop Rivet	G and K models; 4 required
10	70409301	Washer	G and K models; 2 required
11	70411401	Nameplate Overlay	G models; Coin
	44144401	Nameplate Overlay	K models; Coin
12	M414215	Nut	
13	44057702	Door Handle	H models
	44007901	Door Handle	N and S models; B, C and I models starting 8/1/11; U models through 8/17/14
	44263801	Door Handle	U models; Models starting 8/18/14; Use 901620 Screw, 803871 Screw and 44088001 Nut to attach
	M400133	Door Handle	P models through 9/30/14; Use with two M409385 Screws
14	44326001	Door Ring Assembly	H, N and S models; P models through 9/30/14; U models through 8/17/14; L models through 1/28/15
	44326002	Door Ring Assembly	U models; Models starting 8/18/14
	44326007LG	Door Ring and Handle Assembly	Light gray; P models starting 10/1/14; L models starting 1/29/15
	44326007B	Door Ring and Handle Assembly	P models starting 7/5/16; Use with stainless steel and white front panel; Black
	44112001	Door Ring and Handle Assembly	B, C and I models through 7/31/11
	44326004B	Door Ring Assembly	B, C and I models starting 8/1/11; S models without stainless steel front panel
	44326003B	Door Ring Assembly	G and K models
	44326004HG	Door Ring Assembly	H and U models without stainless steel front panel
15	M400661	Screw	Door strike
16	61199	Screw	H, N and S models; 4 required

Hinge Components



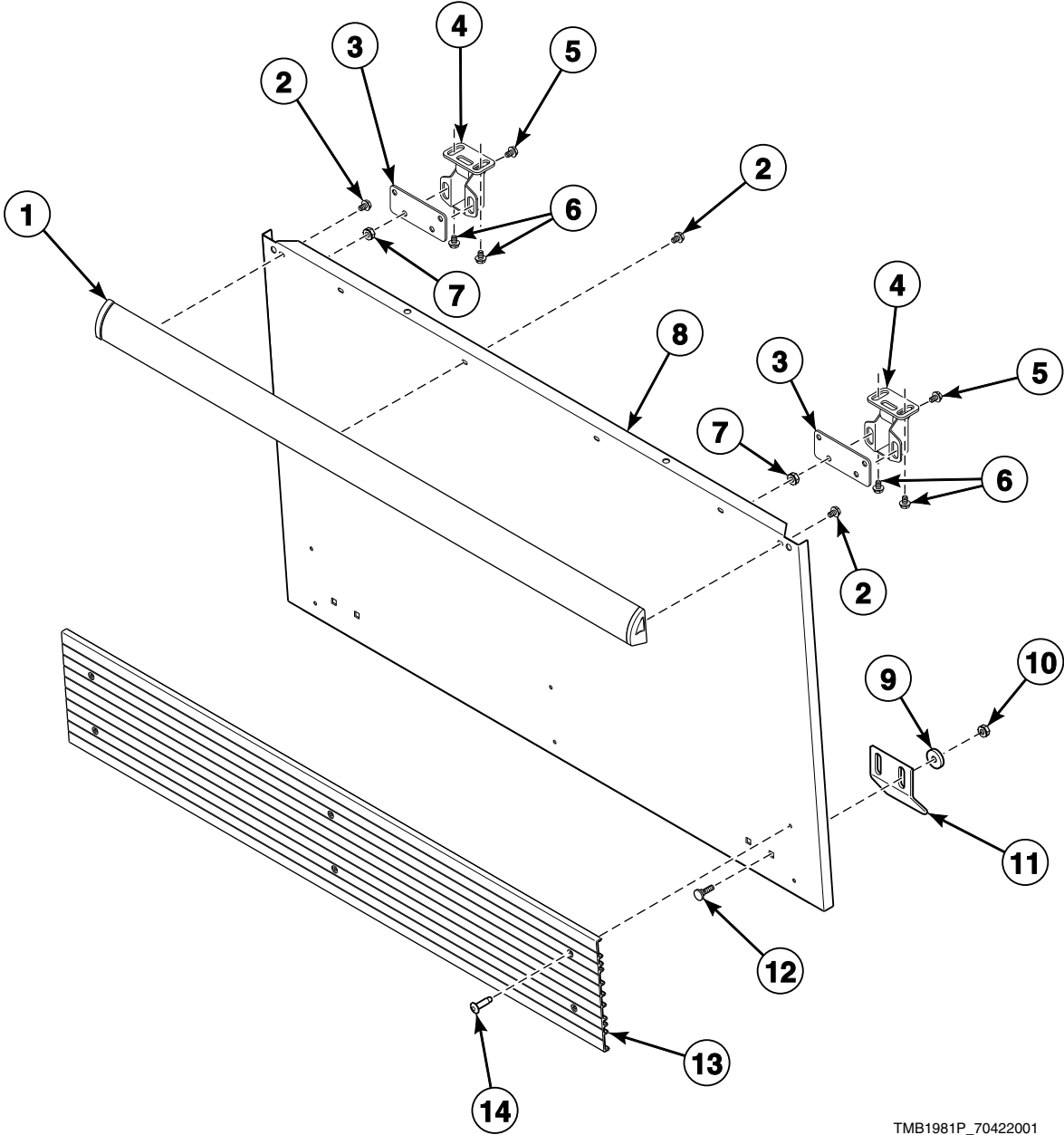
TMB3091PA_70422001

Hinge Components

REF	PART NO.	DESCRIPTION	COMMENTS
	M4786P3	Front Access Panel and Door Hinge Kit	B and I models; To change from old look to new look
1	70215001P	Door Switch Actuator Kit	
2	44075207B	Door Hinge	G and K models; B and I models starting 8/1/11; P models starting 7/1/17 with white front panel and starting 7/5/16 with stainless steel front panel
	44075201*	Door Hinge Assembly	H, N, S, U and Y models; C models starting 8/1/11; P models through 9/30/14; L models through 1/28/15
	44075210	Door Hinge Assembly	C, H, S, U and Y models; B and I models through 7/31/11; P models through 9/30/14; L models through 1/28/15; Stainless steel
	44075207LG	Door Hinge Assembly	Light gray; L, P and U models
3	70442101	Screw	3 required
4	M400044	Screw	6 required
5	M4773P3	Hinge Cam Kit	G and K models; B and I models starting 8/1/11
	M4772P3	Hinge Cam Kit	C, H, L, N, P, S, U and Y models; B and I models through 7/31/11; P models starting 7/1/17 with white front panel and starting 7/5/16 with stainless steel front panel
6	70409801	Screw	G and K models; B and I models starting 8/1/11; P models starting 7/1/17 with white front panel and starting 7/5/16 with stainless steel front panel; 2 required
	70033504	Screw	C, H, L, N, P, S, U and Y models; B and I models through 7/31/11; 2 required
7	44035002	Door Hinge Lug Assembly	Black; G and K models; B and I models starting 8/1/11; P models starting 7/1/17 with white front panel and starting 7/5/16 with stainless steel front panel
	44035001	Door Hinge Lug Assembly	C, H, L, N, P, S, U and Y models; B and I models through 7/31/11
8	70058501	Pop Rivet	2 required

* Add Letter To Designate Color. Q - Bisque W - White

Lint Panel Components



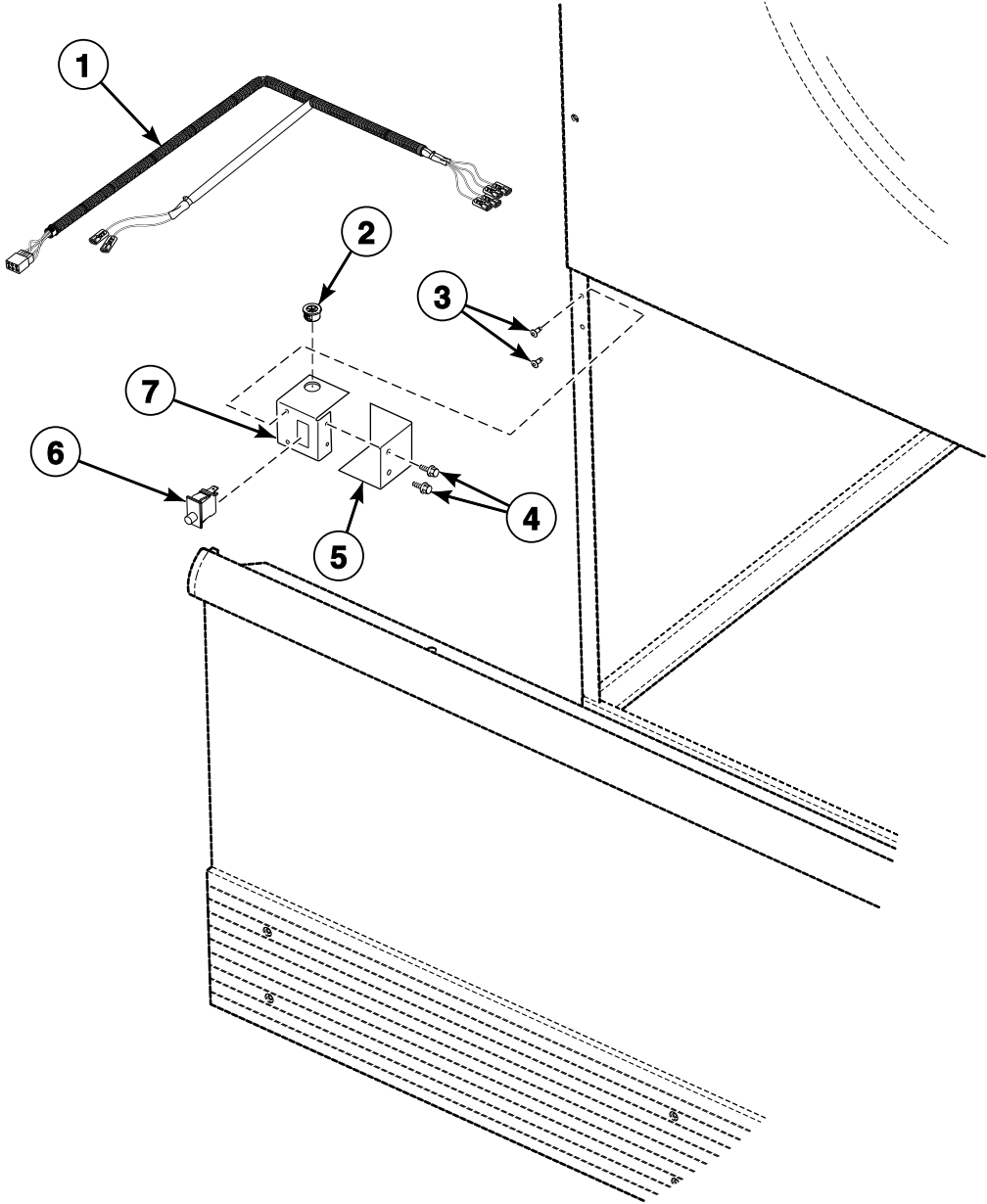
TMB1981P_70422001

Lint Panel Components

REF	PART NO.	DESCRIPTION	COMMENTS
1	44049901	Handle and Caps Assembly	B, C, I, N, S, X, U and Y models; L models through 1/28/15; P models through 9/30/14 and starting again 7/1/17 with white front panel and starting 7/5/16 with stainless steel front panel; Black; Includes endcaps
	70407211	Handle Bumper	P models starting 10/1/14; L models starting 1/29/15
	44049902	Handle and Caps Assembly	H and U models; Gray; Includes endcaps
	70407203	Handle Bumper	G and K models; Black and blue; Does not have endcaps
2	430757	Screw	6 required
3	44014001	Roller Catch Mounting Bracket	2 required
4	H87020202	Roller Catch	2 required; Includes strike
5	61199	Screw	8 required
6	D501086	Screw	4 required
7	70054	Nut	8 required
8	44012204DG	Lint Panel	Dark gray; P models; Models starting 10/1/14
	44012205	Lint Panel	P models; Models starting 10/1/14 through 3/31/15; Stainless steel
	44012207	Lint Panel	P models; Models starting 4/1/15; Stainless steel
	44012201*P	Lint Panel	P models through 9/30/14; All other models
	44012202	Lint Panel	P models through 9/30/14; All other models through 3/31/15; Stainless steel
	44012206	Lint Panel	All models except P models starting 4/1/15; Stainless steel
	44012203LG	Lint Panel	Light gray; U models
9	M405535	Washer	4 required
10	44087101	Nut	4 required
11	44017801	Lint Panel Clip	2 required
12	44017901	Bolt	4 required
13	70117609	Kickplate	All models except H models; Black
	70117610	Kickplate	H and U models; Gray
14	70126301	Pop Rivet	Black; 6 required
	70126401	Pop Rivet	Gray; 6 required

* Add Letter To Designate Color. Q - Bisque W - White

Lint Panel Switch Assembly

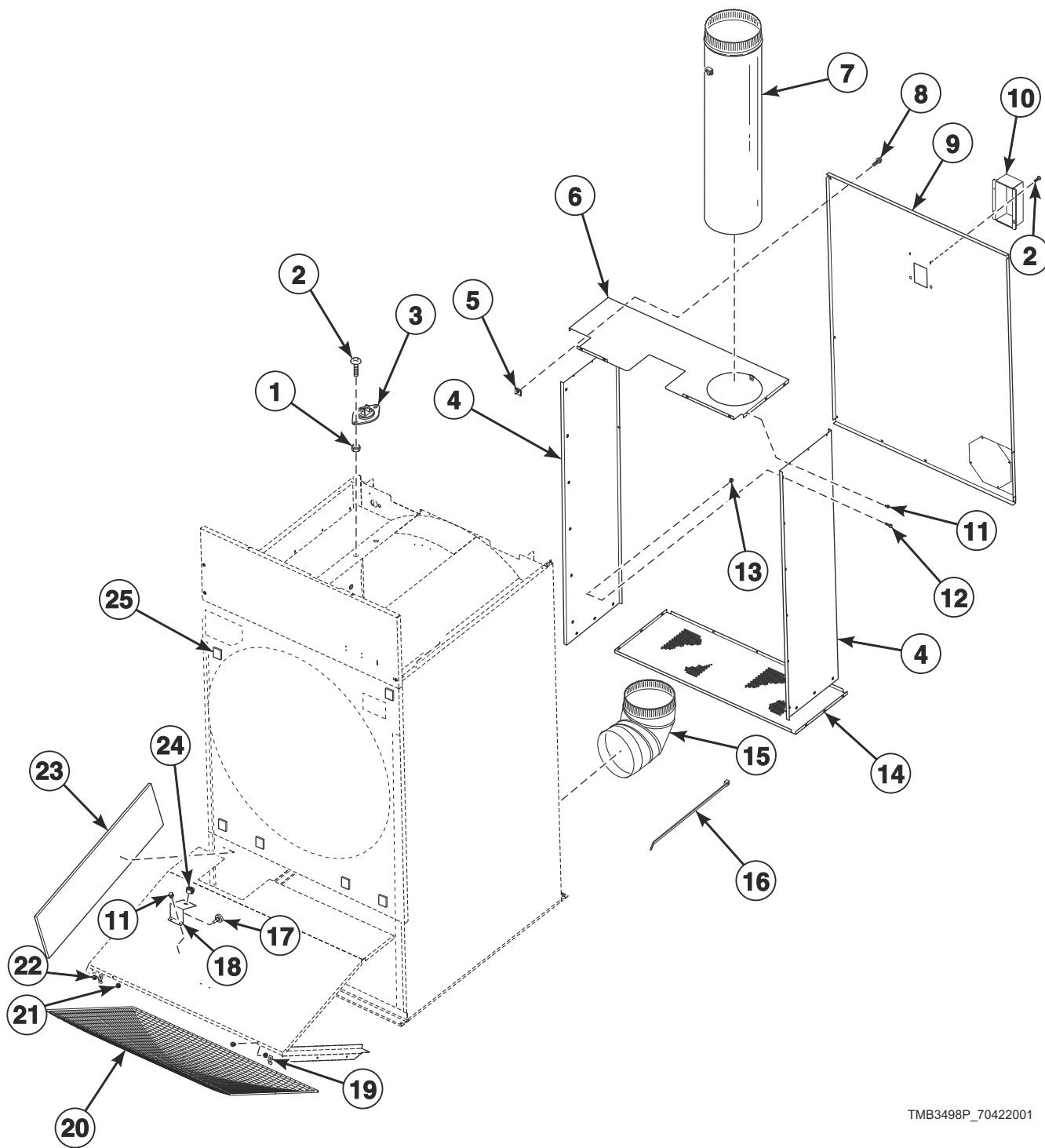


TMB2992P_70422001

Lint Panel Switch Assembly

REF	PART NO.	DESCRIPTION	COMMENTS
1	44162701	Base Harness	
2	M411537	Bushing	
3	430725	Pop Rivet	2 required
4	430497	Screw	2 required
5	44026801	Lint Panel Switch Cover	
6	70413401	Switch Assembly	With boot
7	44013401	Lint Panel Switch Bracket	

Lint Screen and Drive Guard



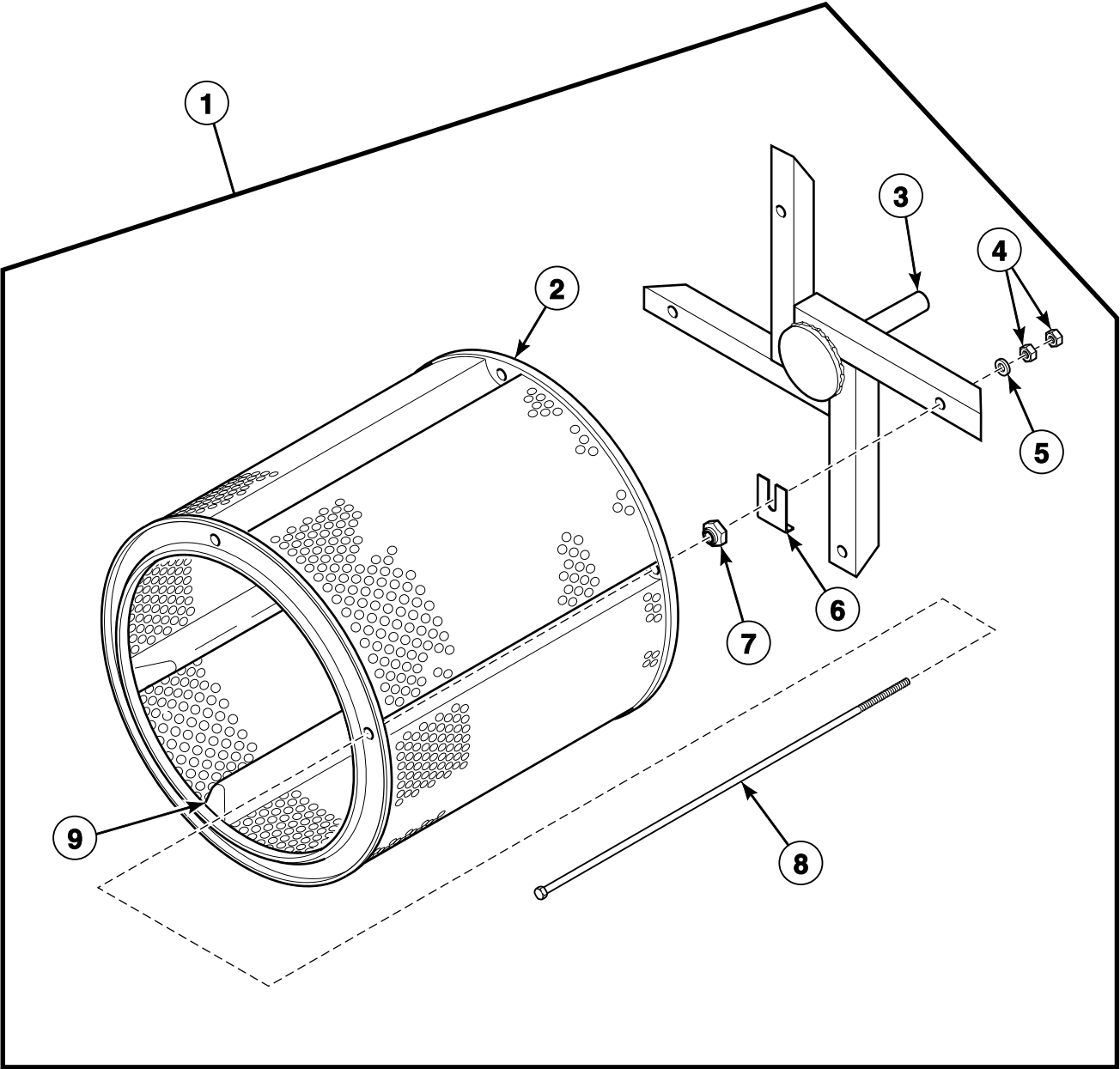
TMB3498P_70422001

Lint Screen and Drive Guard

REF	PART NO.	DESCRIPTION	COMMENTS
1	23951	Nut	
2	430497	Screw	
3	44064701	Thermistor	2 required; For fire suppression system
4	44160201	Belt Guard	Side; 2 required; Use 70015709 Gasket on edges
5	M400984	Clip	
6	44160401	Belt Guard	Top
7	M411185	Vent Pipe	Gas models; Models through 12/31/09
	M411187	Vent Pipe	Steam models; Gas and electric models starting 1/1/10
8	M411072	Screw	
9	44160301P	Belt Guard	Back; Non-moisture sensing
	44160302	Belt Guard	Back; Moisture sensing
10	44222501	Guard Extension	Moisture sensing
11	430497	Screw	
12	M400043	Screw	
13	20274	Nut	
14	44160501	Belt Guard	Bottom
15	H87494019	Vent Elbow	
16	M405829	Cable Tie	Required for thermistor harness
17	M414704	Thermistor	
	B12308601	Temperature Sensor Assembly	PRO HC control replacement; Refer to Parts Information Insert 8-18-251 for list of machine serial numbers
18	44051301	Thermistor Bracket Assembly	Includes bracket and thermistor nut
19	H96418413	Lint Screen Clip	
20	44063602	Lint Screen	Includes frame
	44077702P	Lint Screen	Includes snaps; Frame not included
21	70054	Nut	
22	61199	Screw	
23	M411593	Insulation	
24	M411537	Bushing	2 required for thermistor harness and cabinet rear
25	M402144	Felt Pad	6 required; Behind front panel

* Add Letter To Designate Color. Q - Bisque W - White

Cylinder and Trunnion Assembly

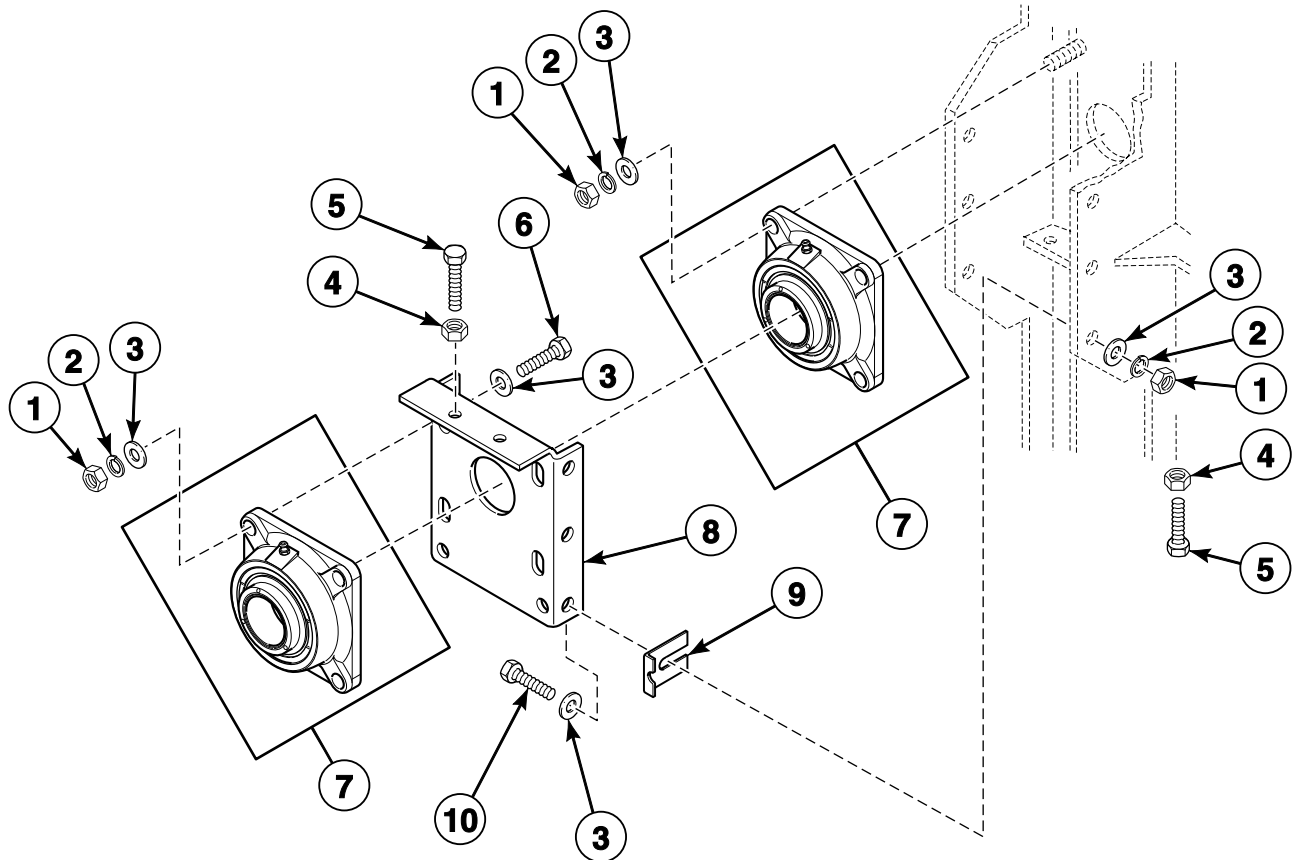


TMB1811B_70422001

Cylinder and Trunnion Assembly

REF	PART NO.	DESCRIPTION	COMMENTS
1	44054801	Cylinder and Trunnion Assembly	Galvanized; Non-moisture sensing
	44194101	Cylinder and Trunnion Assembly	Galvanized; Moisture sensing
	44054802	Cylinder and Trunnion Assembly	Stainless steel; Non-moisture sensing
	44194102	Cylinder and Trunnion Assembly	Stainless steel; Moisture sensing
2	H96427513	Cylinder Assembly	Galvanized; Includes items 4 and 8; Non-moisture sensing
	44193301	Cylinder Assembly	Galvanized; Moisture sensing
	M409788	Cylinder Assembly	Stainless steel; Includes items 4 and 8; Non-moisture sensing
	44193302	Cylinder Assembly	Stainless steel; Moisture sensing
3	44055501	Trunnion Assembly	Non-moisture sensing
	44055502	Trunnion Assembly	Moisture sensing
4	H88412101	Nut	8 required
5	70261401	Washer	4 required
6	M401402	Spacer	As required
7	M412334	Nut	4 required
8	H88301411	Bolt	4 required
9	44191203	Cylinder Rib Assembly	Moisture sensing

Trunnion Bearings

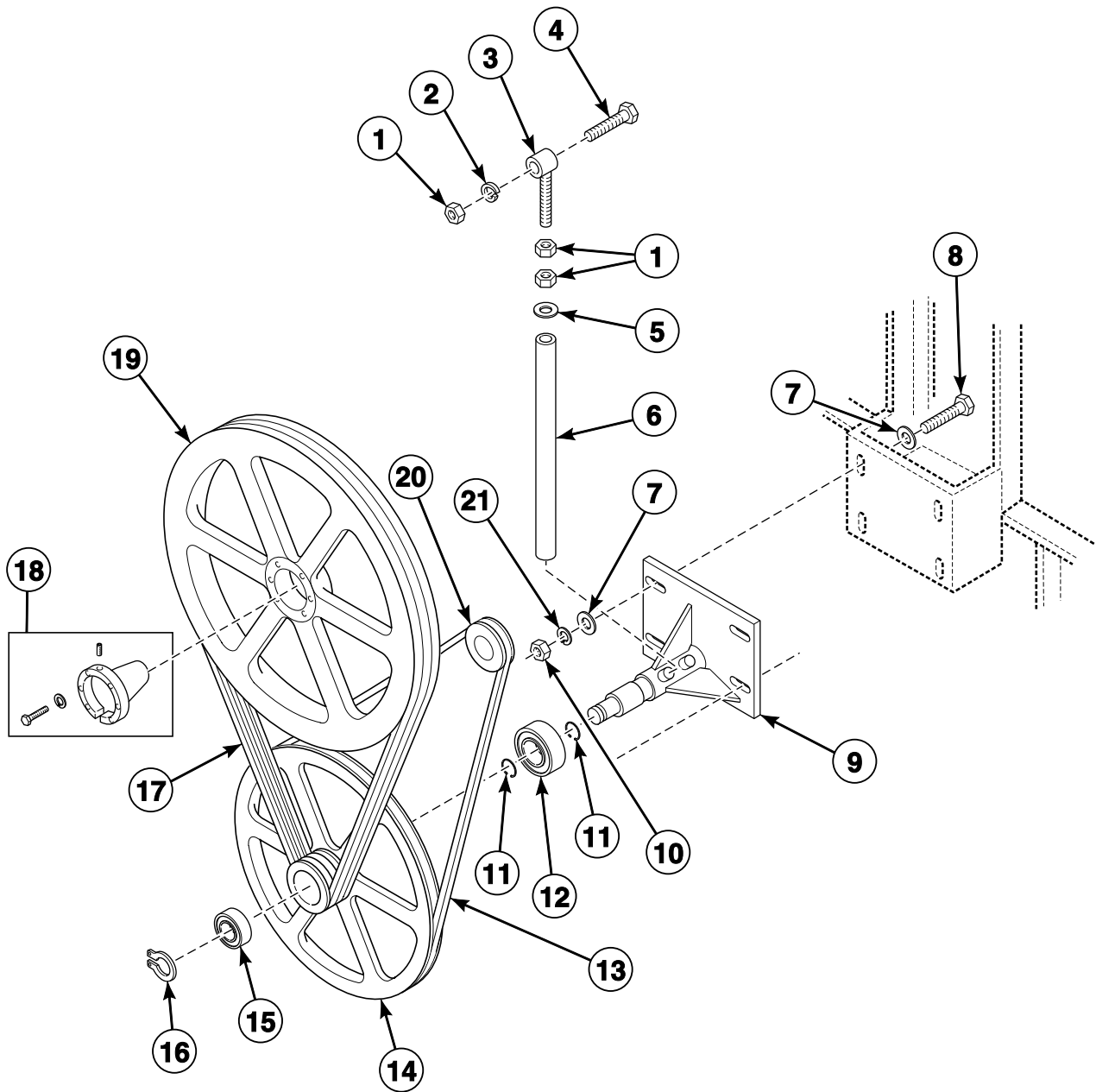


TMB3251P_70422001

Trunnion Bearings

REF	PART NO.	DESCRIPTION	COMMENTS
1	H88412101	Nut	
2	M400015	Washer	
3	70261401	Washer	
4	20274	Nut	
5	H88213996	Screw	
6	M411165	Screw	
7	44048301P	Flange Bearing	
8	H96428008	Bearing Mounting	
9	M401402	Spacer	As required
10	H88012034	Screw	

Drive Sheave, Step Pulley and Belts

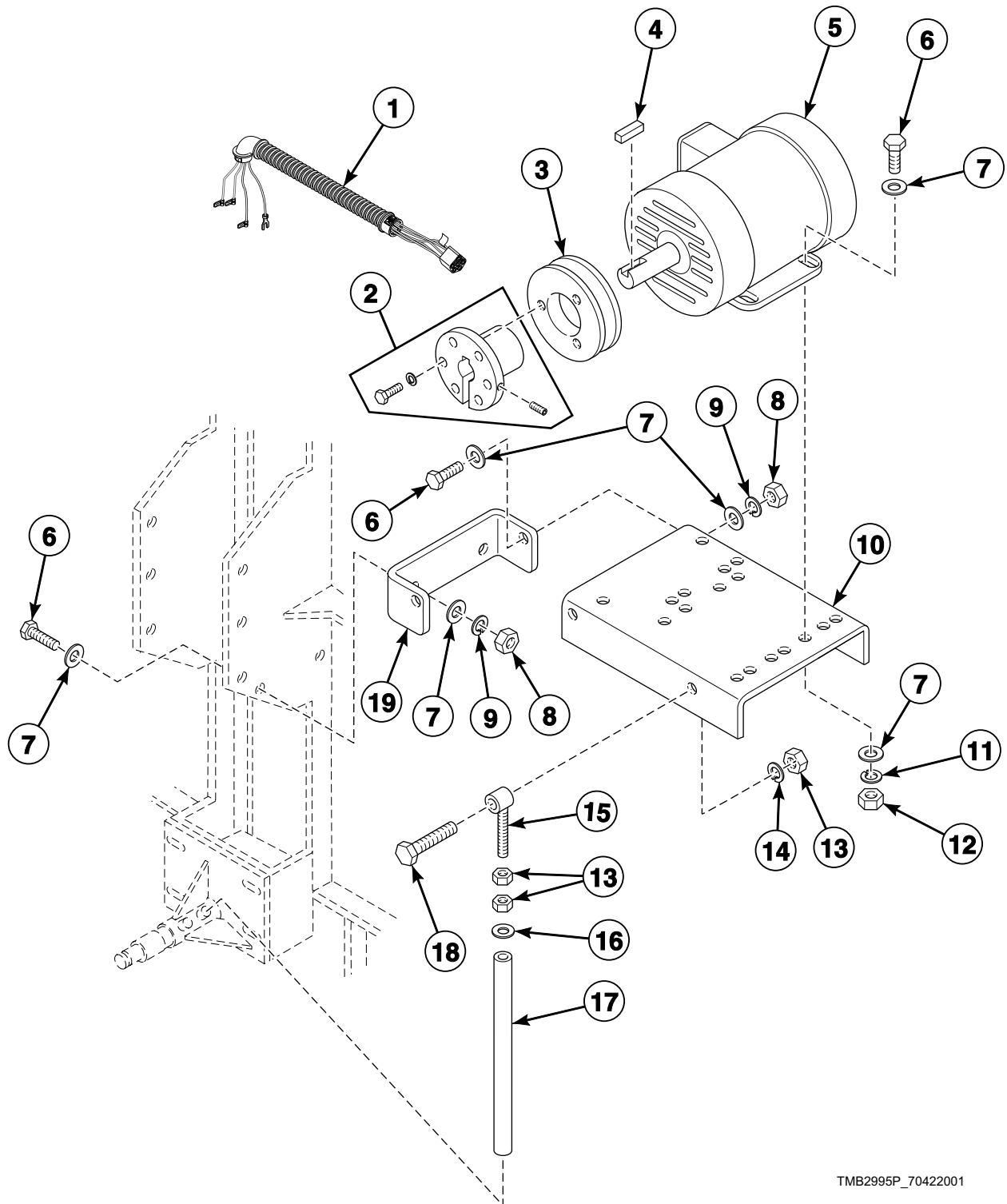


TMB2585P_70422001

Drive Sheave, Step Pulley and Belts

REF	PART NO.	DESCRIPTION	COMMENTS
1	H88412101	Nut	
2	M400015	Washer	
3	44048501	Rod End	Eyebolt assembly
4	M400063	Screw	
5	70261401	Washer	
6	H96428487	Belt Adjustment Tube	
7	M400081	Washer	8 required
8	22688	Screw	4 required
9	H96357751	Jackshaft Assembly	
10	20274	Nut	4 required
11	H88603477	Retaining Ring	Step pulley bearings stops; 2 required
12	H87672374	Ball Bearing	Inner; Step pulley
13	H87533014	Belt	
14	M4696P3	Step Pulley and Bearing Kit	Includes H96428024 Step Pulley, M414321 Spacer, M4718P3 Step Pulley Outer Bearing Kit and items 11, 12 and 15
15	M414367	Ball Bearing	Outer
16	H88602263	Retaining Ring	Step pulley to jackshaft
17	H87533816P	Belt Set	Set of 3
18	H8752985HP	Bushing	Includes M400014 Washer, 44048902 Screw and 44079204 Screw
19	H8752251H	Sheave	
20	H87520334	Sheave	50 Hertz; 3.35 inch OD
	H87520466	Sheave	60 Hertz; 4.12 inch OD
21	M400014	Washer	4 required

Cylinder Drive Motor

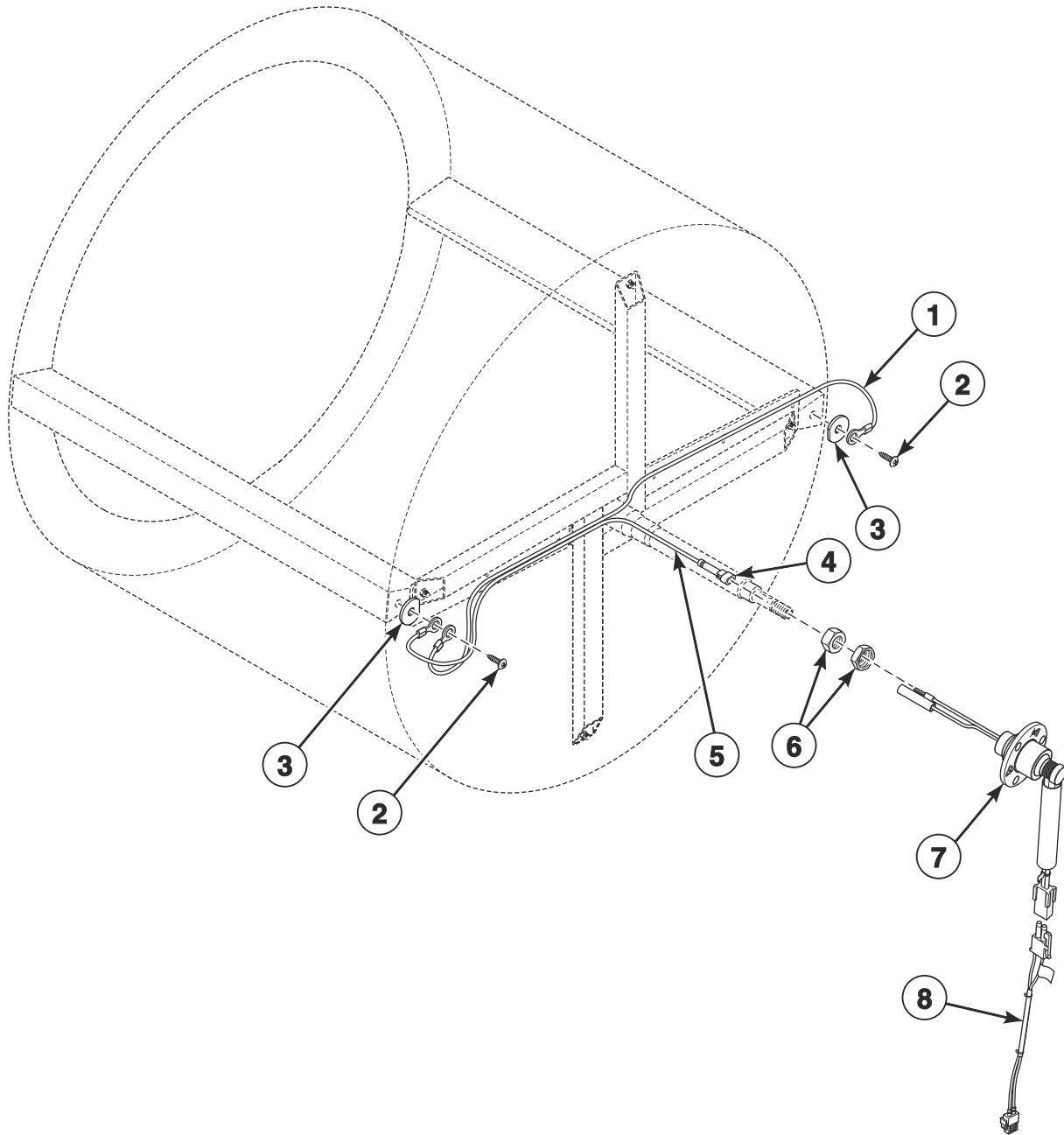


TMB2995P_70422001

Cylinder Drive Motor

REF	PART NO.	DESCRIPTION	COMMENTS
1	44162901	Cylinder Motor Harness	
2	H87529129P	Bushing	Includes 44079202 Screw, 44048902 Screw and 03189 Washer; Key not included
3	H87520466	Sheave	60 Hertz; 4.12 inch OD
	H87520334	Sheave	50 Hertz; 3.35 inch OD
4	H8752006H	Key	
5	44052901P	Motor	208-460 Volt/60 Hertz/3 Phase; Includes key; No capacitor
	44053001P	Motor	200-415 Volt/50 Hertz/3 Phase; Includes key; No capacitor
	44157601	Motor	380 Volt/60 Hertz/3 Phase; Includes key; No capacitor
6	M400056	Screw	
7	M400080	Washer	
8	M412986	Nut	
9	M400014	Washer	
10	M413171	Motor Base	
11	M400013	Washer	
12	70142	Nut	
13	H88412101	Nut	
14	M400015	Washer	
15	44048501	Rod End	Eyebolt assembly
16	70261401	Washer	
17	H96428487	Belt Adjustment Tube	
18	M400063	Screw	
19	H96428693	Base Bracket	

Moisture Sensing Components

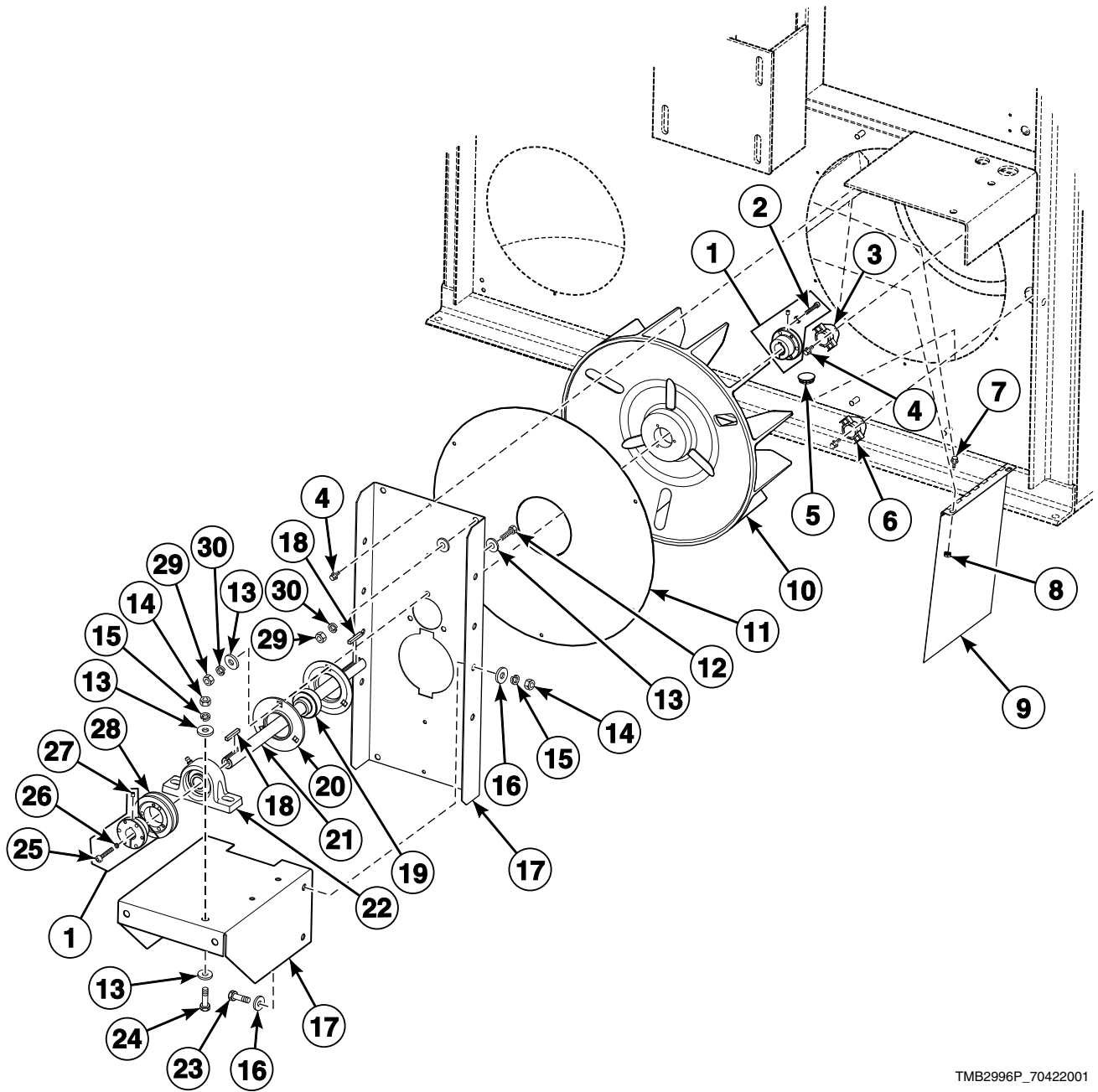


TMB3444P_70422001

Moisture Sensing Components

REF	PART NO.	DESCRIPTION	COMMENTS
	70468901	Moisture Sensor Test Wires	Use to troubleshoot the moisture sensor circuit
1	44208101	Rib Wire	
2	44338901	Screw	
3	44238902	Washer	
4	44370401	1 Circuit Plug Housing	
5	44344703	Moisture Sensing Harness Kit	
6	M400035	Nut	
7	44222702	Slip Ring Assembly	
8	44209201	Moisture Sensor Harness Assembly	Goes from item 7 to main harness

Fan Assembly - 50 Hertz Models

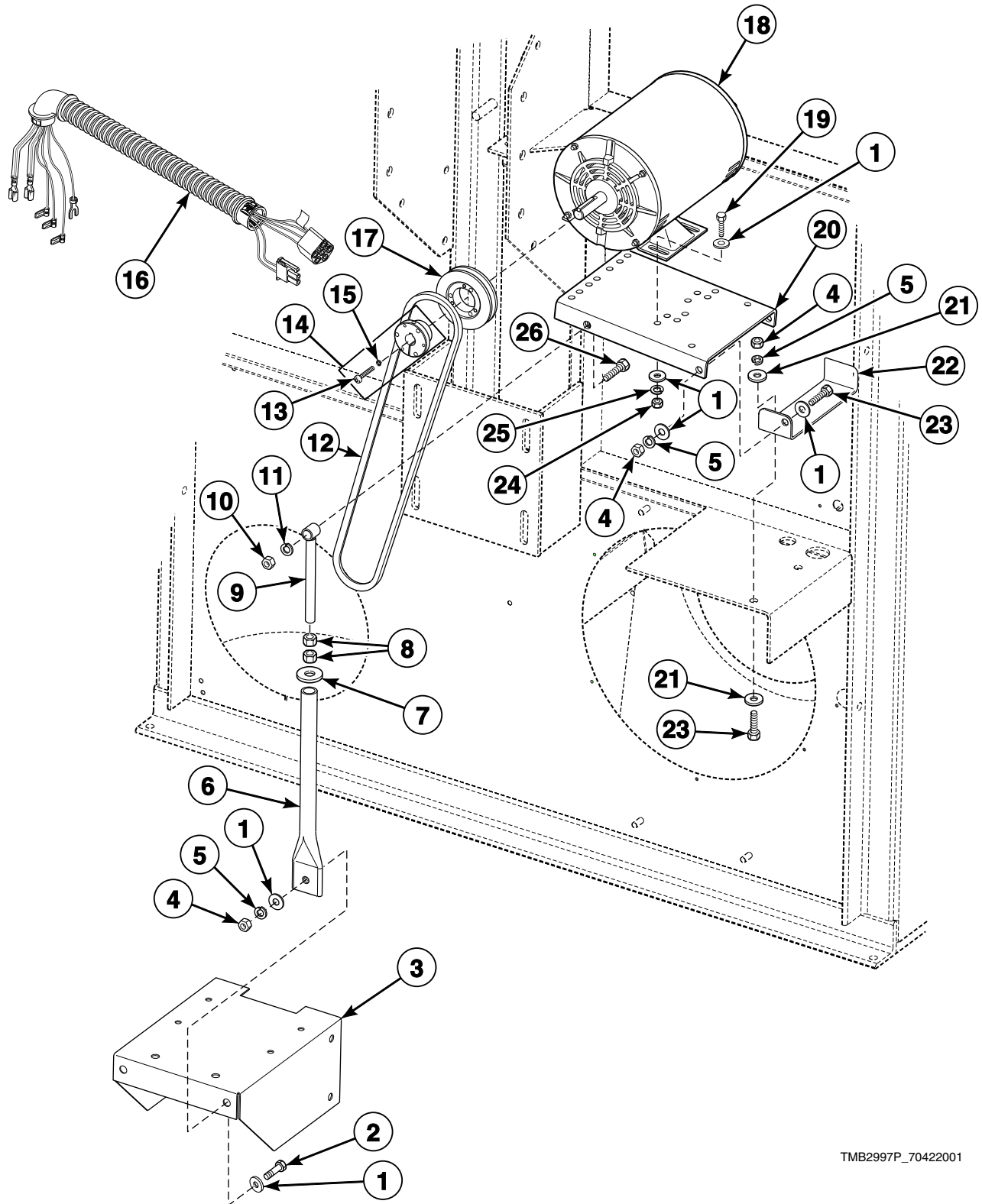


TMB2996P_70422001

Fan Assembly - 50 Hertz Models

REF	PART NO.	DESCRIPTION	COMMENTS
1	M412917P	Bushing	2 required; Includes 44079301 Screw, 56552 Washer and 44048901 Screw; Key not included
2	H8800901H	Screw	3 required
3	44237401	Thermostat	Non-CE and non-Australian gas models and all electric and steam models
	44232601	Thermostat	CE and Australian gas models; Manual reset
4	430497	Screw	
5	M400985	Plug	
6	H8900530H	Thermostat	Load ready
7	61199	Screw	
8	70054	Nut	
9	M409967	Damper Assembly	
10	M414546	Fan and Bushing Assembly	Discard bushing on 50 Hertz models
11	H96358007	Blower Cover	
12	M400056	Screw	3 required
13	M400080	Washer	10 required
14	20274	Nut	6 required
15	M400014	Washer	4 required
16	M400081	Washer	8 required
17	H608P3	Blower Motor Base Kit	
18	H8752006H	Key	2 required
19	H8768212H	Ball Bearing Insert	
20	H8768302H	Bearing Mounting Flangette	2 required
21	M412000	Blower Shaft	
22	44104801	Ball Bearing	
23	M400043	Screw	4 required
24	22688	Screw	2 required
25	44079301	Screw	3 required
26	56552	Washer	6 required
27	44048901	Screw	
28	H87520284	Sheave	2.8 inch OD
29	70142	Nut	3 required
30	M400013	Washer	3 required

Fan Motor Assembly - 50 Hertz Models

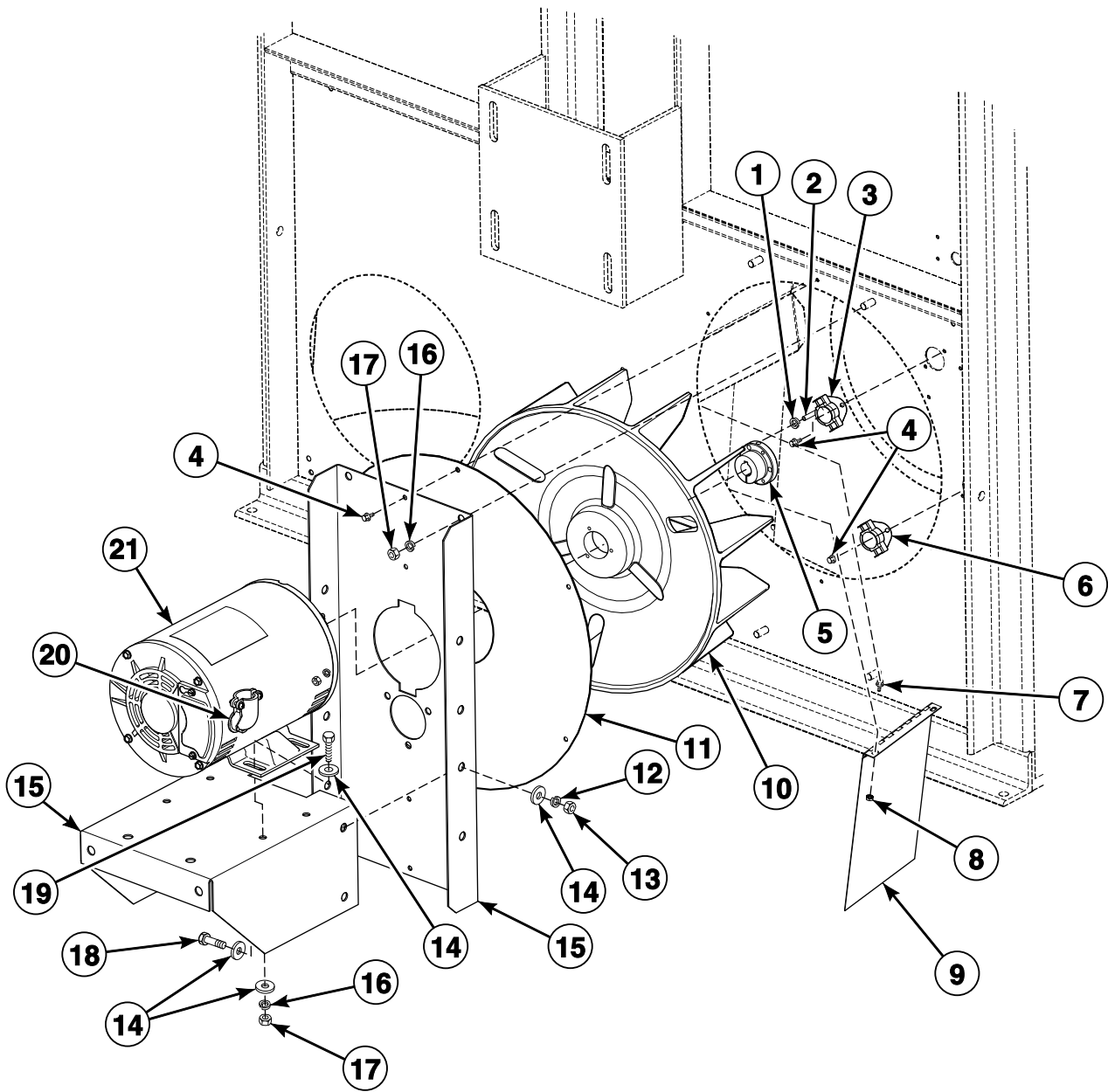


TMB2997P_70422001

Fan Motor Assembly - 50 Hertz Models

REF	PART NO.	DESCRIPTION	COMMENTS
1	M400080	Washer	
2	M400043	Screw	
3	H608P3	Blower Motor Base Kit	Bracket
4	20274	Nut	
5	M400014	Washer	
6	H96428628	Motor Adjustment Tube	
7	70261401	Washer	
8	H88412101	Nut	
9	44048501	Rod End	Eyebolt assembly; Belt adjuster
10	H88412093	Nut	
11	M400015	Washer	
12	H8753170H	Belt	
13	44079301	Screw	3 required
14	H87529111P	Bushing	Includes 44079301 Screw, 56552 Washer and 44048901 Screw; Key not included
15	56552	Washer	3 required
16	44242601	Fan Motor Harness	
17	H87520334	Sheave	3.35 inch OD
18	44046401P	Fan Motor	200, 240, 380 and 415 Volt; No capacitor
19	M400056	Screw	
20	M413171	Motor Base	
21	M400081	Washer	
22	H96428693	Base Bracket	
23	22688	Screw	
24	70142	Nut	
25	M400013	Washer	
26	H88001565	Screw	

Fan and Fan Motor Assembly - 60 Hertz Models

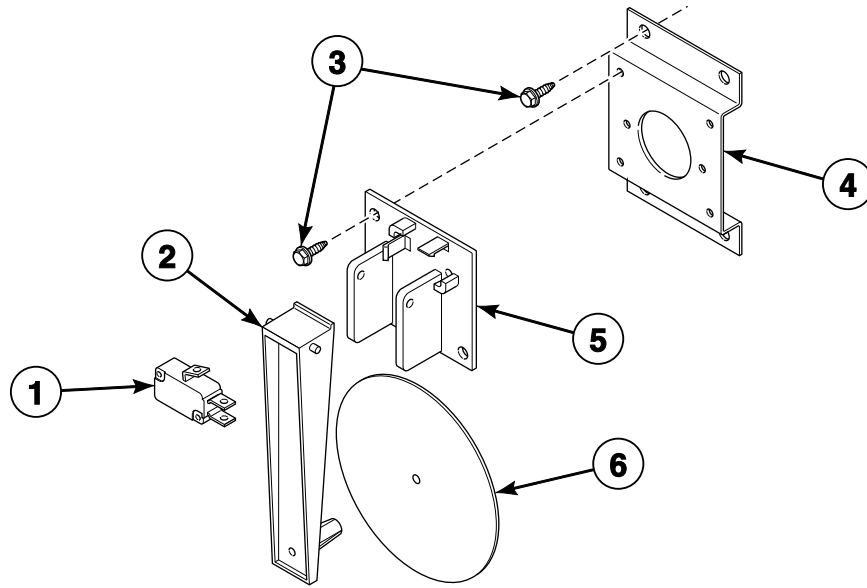


TMB2998P_70422001

Fan and Fan Motor Assembly - 60 Hertz Models

REF	PART NO.	DESCRIPTION	COMMENTS
1	56552	Washer	
2	H8800901H	Screw	3 required; Fan bushing
3	44237401	Thermostat	
4	430497	Screw	
5	H87529111P	Bushing	Includes 44079301 Screw, 56552 Washer and 44048901 Screw; Key not included
6	H8900530H	Thermostat	Load ready
7	61199	Screw	
8	70054	Nut	
9	M409967	Damper Assembly	
10	M414546	Fan and Bushing Assembly	Included with item 5 and hardware
11	H96358007	Blower Cover	
12	M400014	Washer	
13	20274	Nut	
14	M400080	Washer	
15	H608P3	Blower Motor Base Kit	
16	M400013	Washer	
17	70142	Nut	
18	M400043	Screw	4 required
19	M400056	Screw	4 required
20	M403862	Connector	
21	44046301P	Motor	200-208, 240, 460-480 Volt; No capacitor
	44157701	Motor	380 Volt/60 Hertz/3 Phase; No capacitor

Airflow Switch

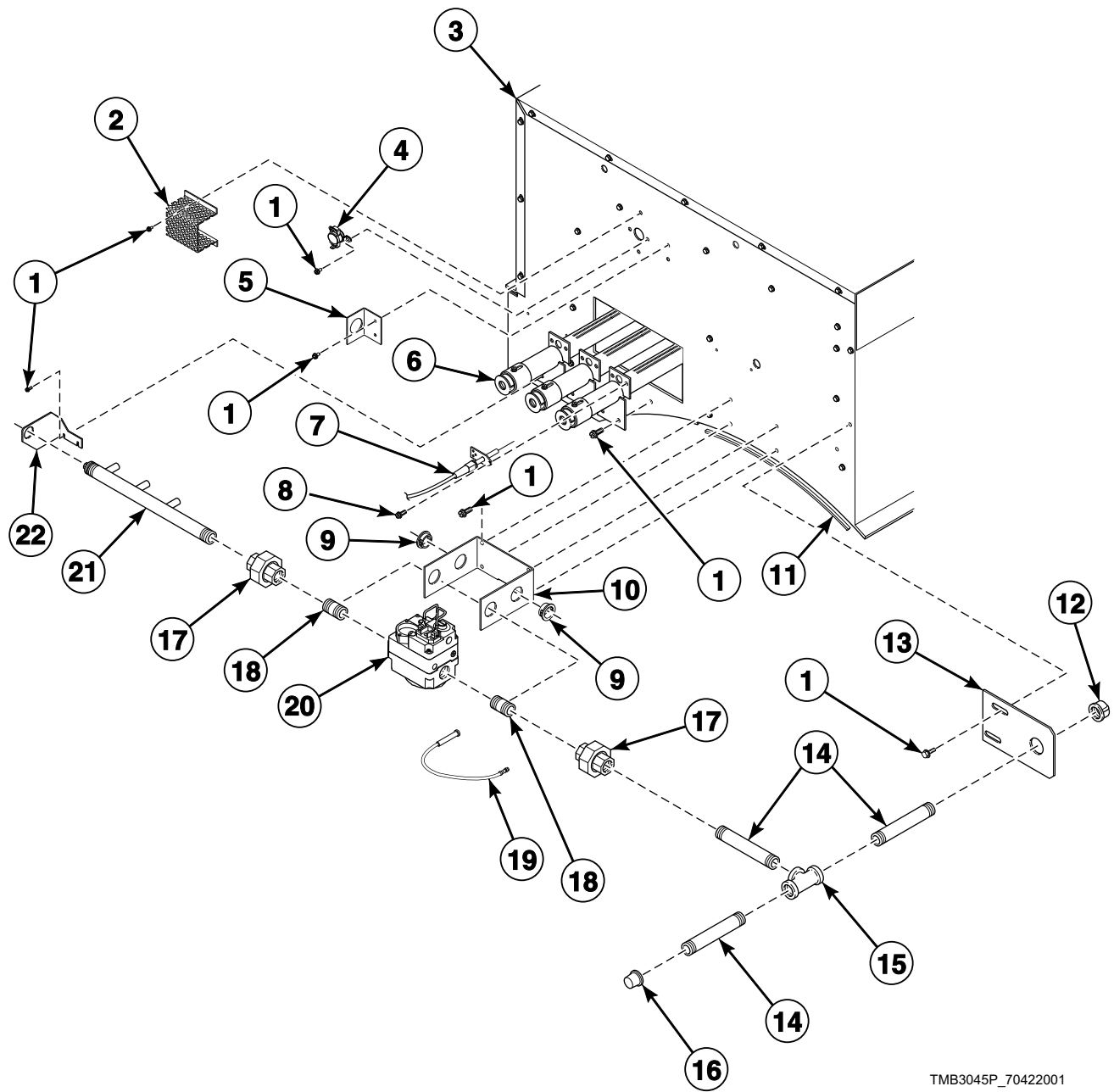


TMB3000P_70422001

Airflow Switch

REF	PART NO.	DESCRIPTION	COMMENTS
	70429601P	Airflow Switch Kit	Models through 9/18/11; Includes items 1-6
	70429602	Airflow Switch Assembly	Models starting 9/19/11; Includes items 1-6
1	70411901	Switch	
2	70319401	Airflow Switch Arm	
3	430497	Screw	
4	70356301	Switch Bracket	
5	70319602	Airflow Switch and Arm Bracket	
6	70319201	Airflow Switch Vane	Models through 9/18/11
	70319202	Airflow Switch Vane	Models starting 9/19/11

Gas Heater Components - Non-CE Models Through 3/10/13

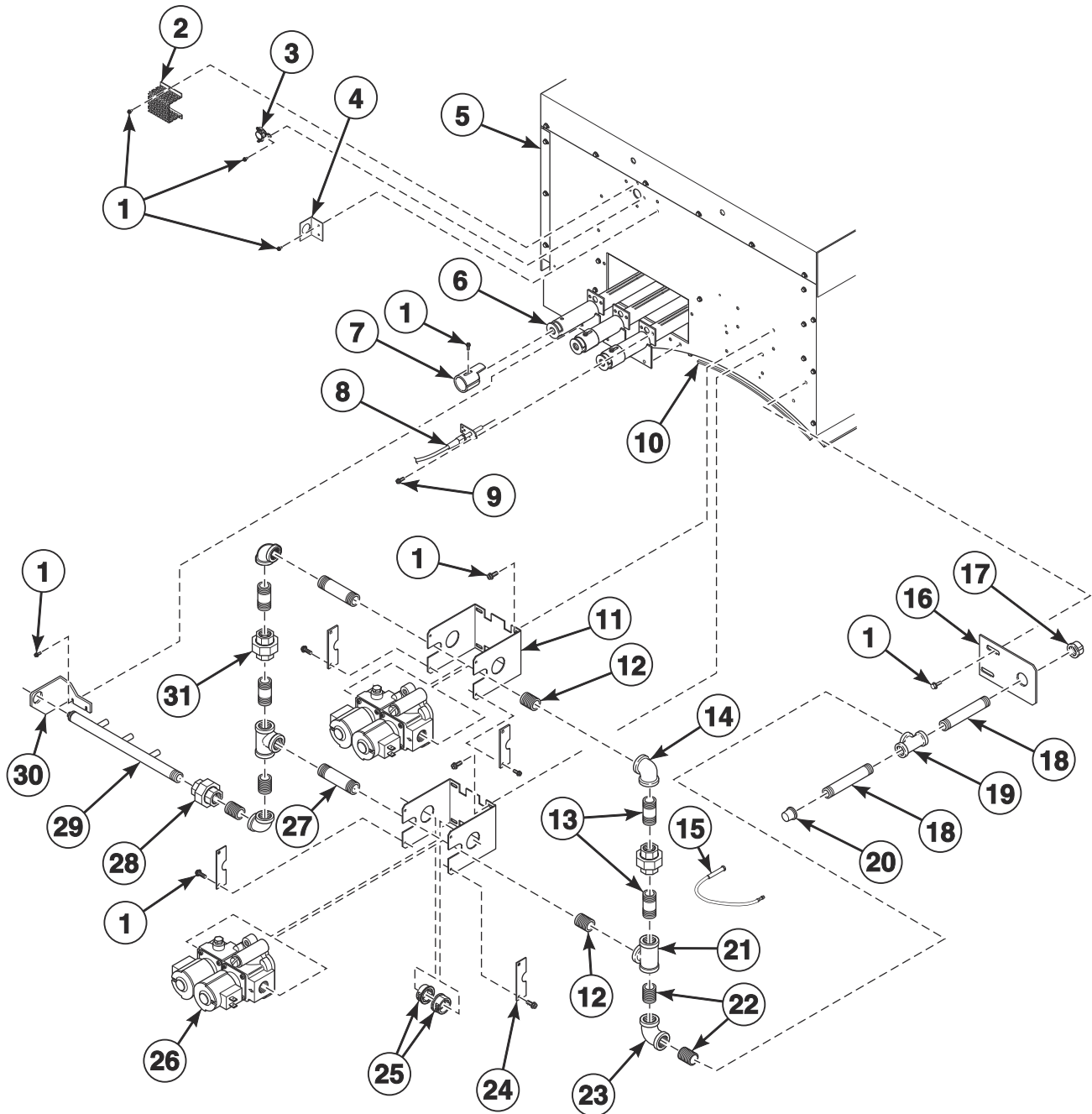


TMB3045P_70422001

Gas Heater Components - Non-CE Models Through 3/10/13

REF	PART NO.	DESCRIPTION	COMMENTS
	M4577P3	Conversion Kit	Natural Gas (N.G.) to Liquid Petroleum Gas (L.P.); 60 Hertz models through 2/14/11
	M4578P3	L.P. Gas Conversion Kit	N.G. to L.P.; 60 Hertz models starting 2/15/11
	M4973P3	L.P. Gas Conversion Kit	N.G. to L.P.; 50 Hertz models through 2/14/11
	M4975P3	L.P. Gas Conversion Kit	N.G. to L.P.; 50 Hertz models starting 2/15/11
	M412997	Harness Assembly	
	M411506	Stove Partition Gasket	3 feet
1	430497	Screw	
2	M414477	Thermostat Cover	
3	44196401P	Gas Stove Assembly	
4	M411404	Stove Limit Thermostat	Non-Australian models through 10/31/11
	M413988	Thermostat	Australian models through 10/31/11
	44236501	Thermostat	Non-Australian models starting 11/1/11
	44236601	Thermostat	Australian models starting 11/1/11; Korean models
5	431078	Stove Limit Harness Bracket	
6	M412025P	Burner	3 required
7	44328701P	Spark Electrode	
8	51782	Screw	2 required
9	70178701	Snap Bushing	2 required
10	M411259	Gas Valve Bracket	
11	M411505	Stove Gasket	Sold per foot; 3 feet required
12	44165901	Pipe Cap	
13	M411498	Pipe Bracket	
14	H85101673	Nipple	3 required
15	44174201	Pipe Tee	
16	44087701	Pipe Cap	
17	M411419	Pipe Union	2 required
18	M411417	Pipe Nipple	2 required
19	44061602P	High Temperature Ignition Lead	Connects to item 7; Models through 9/16/12
	44239703	High Voltage Suppression Cable	Models starting 9/17/12; Use with 70458601 Ignition Control
20	44166701	Gas Valve	N.G.; 50 Hertz
	44166702	Gas Valve	L.P.; 50 Hertz
	M413470P	Gas Valve	N.G.; 60 Hertz
	M4883P3	Gas Valve Kit	L.P.; 60 Hertz
21	44390001	Spud Holder Weldment	
22	44173801	Manifold End Bracket	

Gas Heater Components - CE Models Through 3/10/13

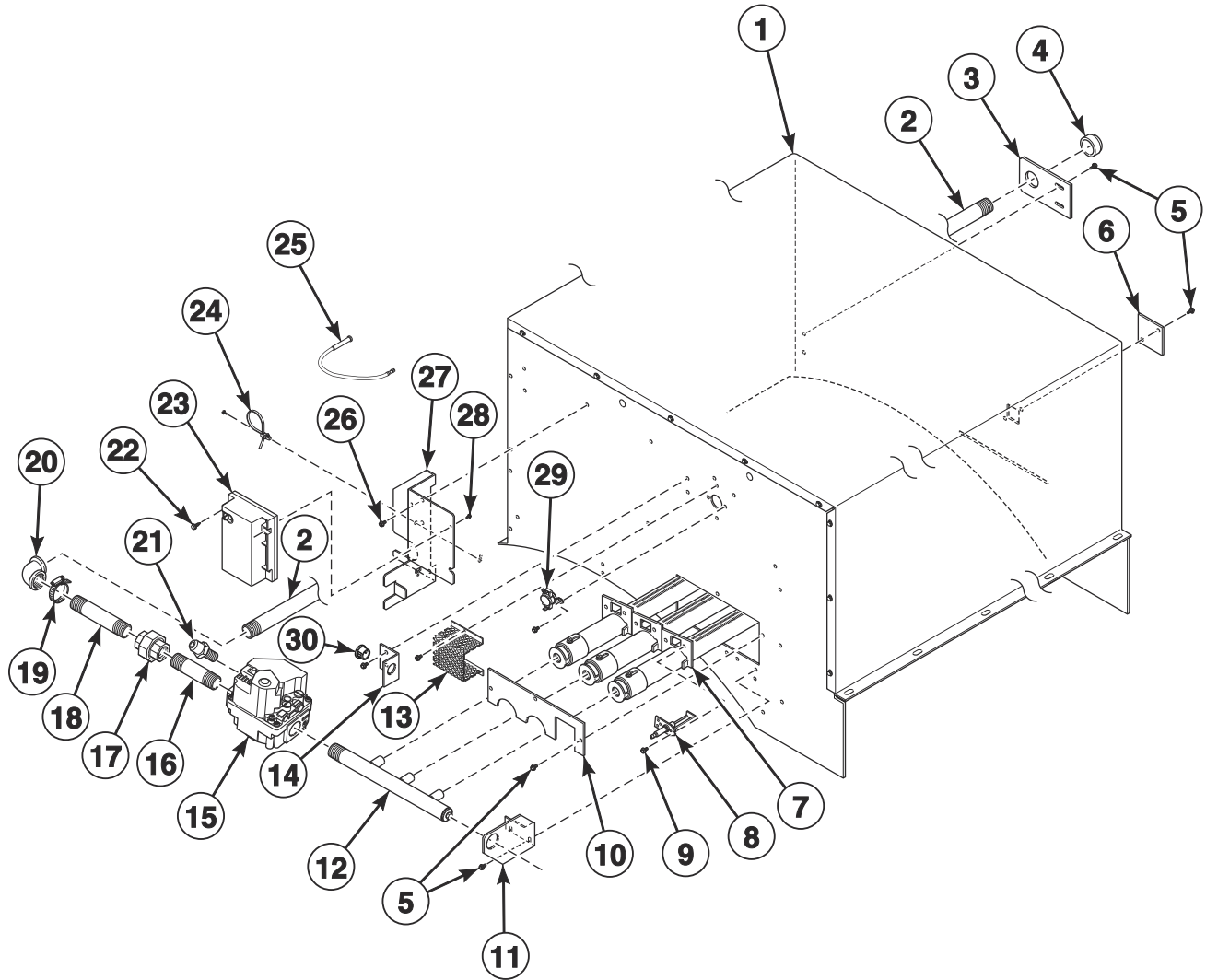


TMB3214P_70422001

Gas Heater Components - CE Models Through 3/10/13

REF	PART NO.	DESCRIPTION	COMMENTS
	44199101	Gas Valve Harness	
	M4904P3	Valve Replacement Kit	Natural Gas (N.G.); Models through 7/13/09
	M4905P3	Valve Replacement Kit	Liquid Petroleum Gas (L.P.); Models through 7/13/09
	M4906P3	Valve Replacement Kit	N.G.; Models starting 7/14/09 through 11/30/09
	M4907P3	Valve Replacement Kit	L.P.; Models starting 7/14/09 through 11/30/09
1	430497	Screw	
2	M414477	Thermostat Cover	
3	M413988	Thermostat	Models through 10/31/11
	44236601	Thermostat	Models starting 11/1/11
4	431078	Stove Limit Harness Bracket	
5	44196401P	Gas Stove Assembly	
6	M412025P	Burner	3 required
7	M413795	Burner Shutter	3 required
8	44328701P	Spark Electrode	
9	51782	Screw	2 required
10	M411505	Stove Gasket	Sold per foot; 3 feet required
11	44117501	Gas Valve Bracket	2 required
12	70435601	Pipe Nipple	2 required
13	M403934	Nipple	4 required
14	70079601	Elbow	2 required
15	44061602P	High Temperature Ignition Lead	Connects to item 8; Models through 9/16/12
	44239703	High Voltage Suppression Cable	Models starting 9/17/12; Use with 70458701 Ignition Control
16	M411498	Pipe Bracket	
17	44165901	Pipe Cap	
18	H85101673	Nipple	
19	44174201	Pipe Tee	
20	44087801	Pipe Cap	
21	44117401	Reducing Tee	2 required
22	H85101608	Nipple	4 required
23	F421107	Elbow	2 required
24	44117901	Pipe Keeper Bracket	4 required
25	M402542	Snap Bushing	2 required
26	44178301P	Gas Valve	N.G.; 2 required; Use to replace valves starting 12/1/09
	44178302P	Gas Valve	L.P.; 2 required; Use to replace valves starting 12/1/09
27	901403	Pipe Nipple	2 required
28	M411419	Pipe Union	
29	44390001	Spud Holder Weldment	
30	44173801	Manifold End Bracket	
31	H86000031	Union	2 required

Gas Heater Components - Models Starting 3/11/13

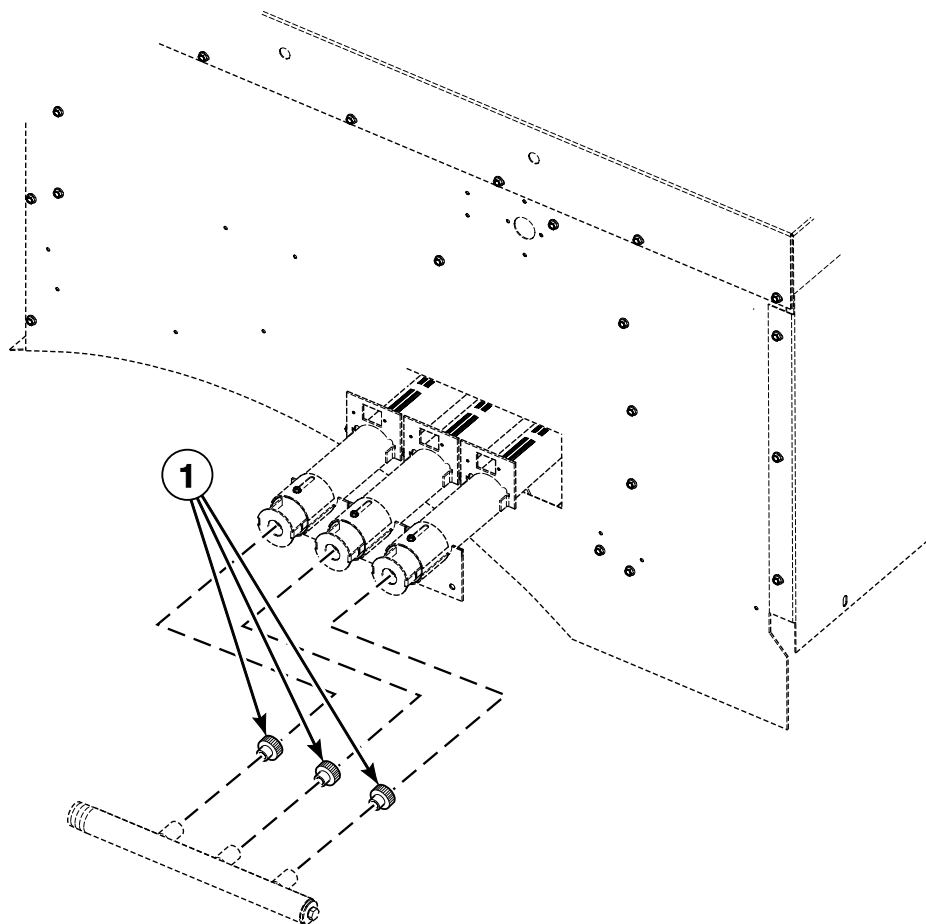


TMB3357P_70422001

Gas Heater Components - Models Starting 3/11/13

REF	PART NO.	DESCRIPTION	COMMENTS
	M4578P3	L.P. Gas Conversion Kit	Natural Gas (N.G.) to Liquid Petroleum Gas (L.P.); 60 Hertz; Non-CE models starting 2/15/11
	M4973P3	L.P. Gas Conversion Kit	N.G. to L.P.; 50 Hertz; Non-CE models starting 2/15/11
	44240401P	L.P. Valve Conversion Kit	Unregulated; N.G. to L.P.; CE models; Must also order orifice, refer to Installation Manual
	44240402P	L.P. Conversion Kit	Regulated; N.G. to L.P.; CE models; Must also order orifice, refer to Installation Manual
	M412997	Harness Assembly	Non-CE and non-Australian models
	M413650	Gas Valve Harness Assembly	Australian models
	70184001	Gas Valve Harness	CE models
1	44248801	Gas Stove Assembly	
2	44252401	Pipe Nipple	
3	44249301	Pipe Bracket	
4	44087801	Pipe Cap	
5	430497	Screw	
6	70159601	Igniter Cover	
7	M412025P	Burner	3 required
8	44328701P	Spark Electrode	
9	51782	Screw	2 required
10	44249701	Burner Hole Cover	
11	44173801	Manifold End Bracket	
12	44390001	Spud Holder Weldment	
13	M414477	Thermostat Cover	
14	431078	Stove Limit Harness Bracket	
15	44166701	Gas Valve	N.G.; 50 Hertz; Australian models
	44166702	Gas Valve	L.P.; 50 Hertz; Australian models
	M413470P	Gas Valve	N.G.; 60 Hertz; Non-CE and non-Australian models
	M4883P3	Gas Valve Kit	L.P.; 60 Hertz; Non-CE and non-Australian models
	44227201	Gas Valve	N.G.; 50 Hertz; CE models
	44227202	Gas Valve	L.P.; 50 Hertz; CE models
16	44249501	Pipe Nipple	
17	M411419	Pipe Union	
18	44252301	Pipe Nipple	
19	20391	Hose Clamp	
20	44249401	Pipe Elbow	
21	44231601	Pressure Fitting	CE and Australian models
22	51783	Screw	
23	70458601P	Ignition Control	Non-CE and non-Australian models
	70483201P	Ignition Control	CE models; Australian models through 3/31/13 and starting again 8/1/13
	44264701	Ignition Control Kit	Australian models; Models starting 4/1/13 through 7/31/13
24	M405829	Cable Tie	
25	44239703	High Voltage Suppression Cable	
26	51780	Screw	
27	44245701	Gas Valve Bracket	
28	38272	Screw	
29	44236501	Thermostat	Non-CE and non-Australian models
	44236601	Thermostat	CE and Australian models
30	44071501	Snap Bushing	

Burner Orifices for Non-CE and Non-Australian Gas Models



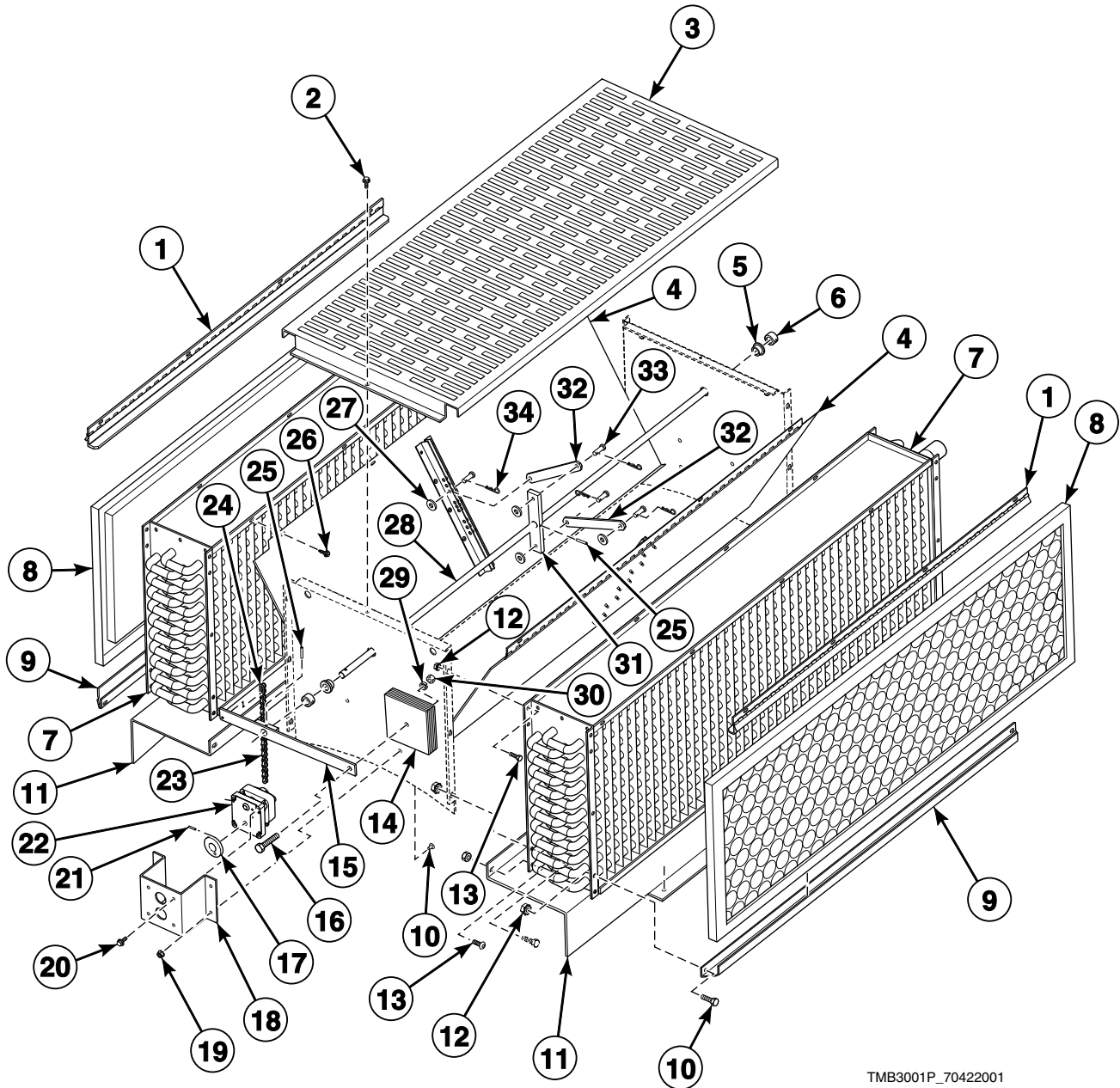
TMB3215P_70422001

Burner Orifices for Non-CE and Non-Australian Gas Models

REF	PART NO.	DESCRIPTION	COMMENTS
1	70684147	Burner Orifice	Natural Gas (N.G.); 0-2,000 feet; Drill no. 16 (4.5 mm); 3 required
	70684144	Burner Orifice	N.G.; 2,001-4,000 feet; Drill no. 18 (4.3 mm); 3 required
	70684143	Burner Orifice	N.G.; 4,001-6,000 feet; Drill no. 19 (4.2 mm); 3 required
	70684142	Burner Orifice	N.G.; 6,001-8,000 feet; Drill no. 20 (4.1 mm); 3 required
	70684139	Burner Orifice	N.G.; 8,001-10,000 feet; Drill no. 23 (3.9 mm); 3 required
	70684120	Burner Orifice	Liquid Petroleum Gas (L.P.); 0-2,000 feet; Drill no. 36 (2.7 mm); 3 required
	70684118	Burner Orifice	L.P.; 2,001-4,000 feet; Drill no. 38 (2.6 mm); 3 required
	70684117	Burner Orifice	L.P.; 4,001-6,000 feet; Drill no. 39 (2.5 mm); 3 required
	70684115	Burner Orifice	L.P.; 6,001-8,000 feet; Drill no. 41 (2.4 mm); 3 required
	70684114	Burner Orifice	L.P.; 8,001-10,000 feet; Drill no. 42 (2.4 mm); 3 required

NOTE: For CE gas and orifice information, refer to Installation Manual.

Steam Heater Components - Except B, C and I Models

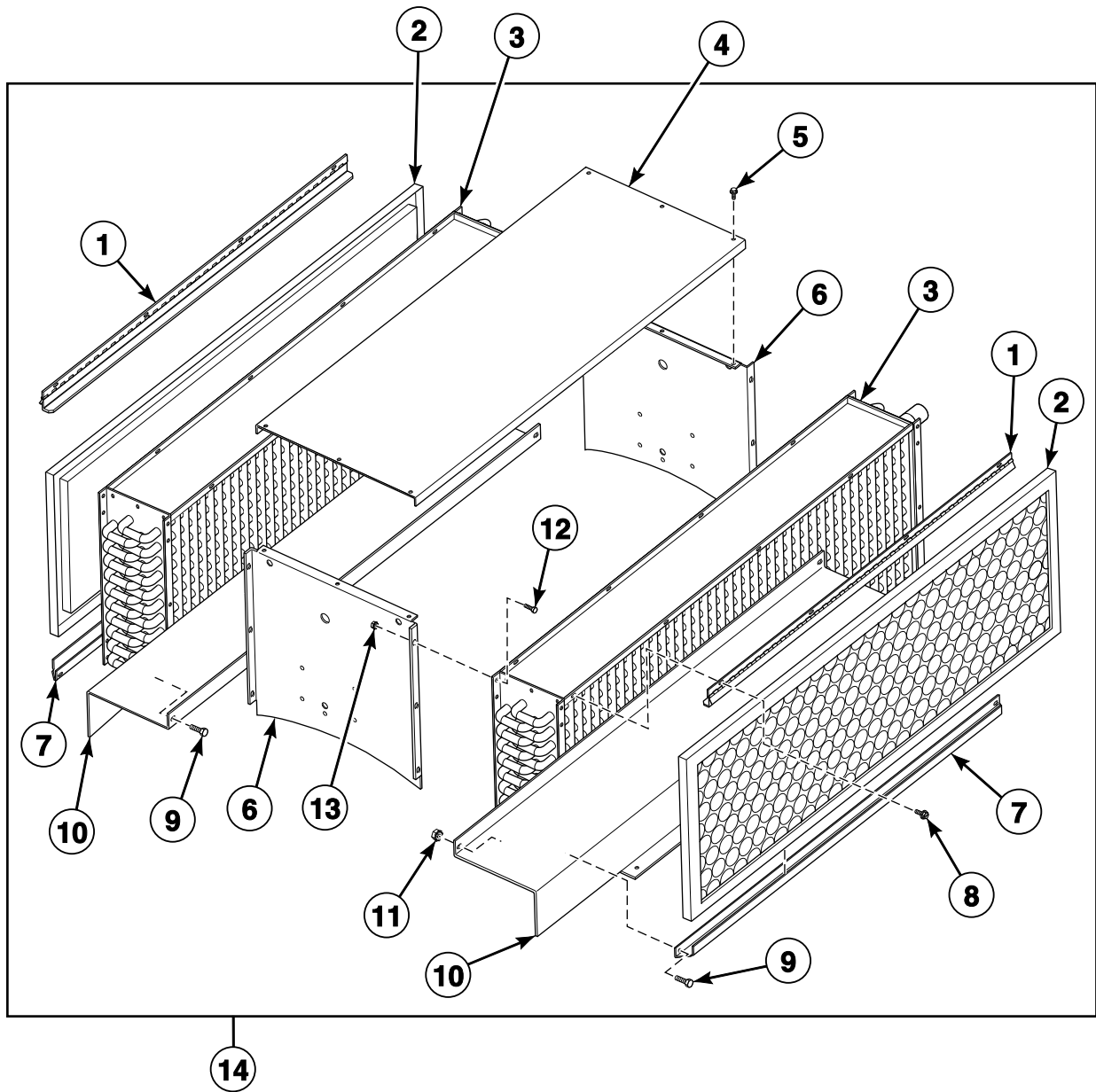


TMB3001P_70422001

Steam Heater Components - Except B, C and I Models

REF	PART NO.	DESCRIPTION	COMMENTS
	M414458	Steam Heater Assembly	60 Hertz; Includes items 1-34
	M414482	Steam Heater Assembly	50 Hertz; Includes items 1-34
	M414534	Damper Bracket	Thermal oil models; 4 required
	M412997	Harness Assembly	Models through 3/10/13
	44243601	Steam Valve Interface Harness	Models starting 3/11/13
1	44088101	Steam Filter Top Hinge Assembly	2 required
2	M405188	Screw	
3	44115101	Steam Cover	
4	H96387519	Damper	2 required; Use M405750 Pop Rivet
5	M414459	Bushing	2 required
6	M414451	Shaft Collar	2 required
7	H96382023P	Steam Coil	All models except thermal oil models; 2 required; 902303 Steam Pressure Label by inlet connection
8	44172201	Filter	2 required; CE models
	H96382106	Steam Coil Filter	2 required; All other models
9	H96388087	Filter Channel	2 required; Upper
10	801019	Screw	2 required
11	M411550	Steam Coil Support	3 required
12	29786	Nut	3 required
13	02422	Screw	3 required
14	M413331	Damper Counterweight	6 required
15	H96387501	Actuator Arm Assembly	
16	H88010574	Screw	
17	H96388178	Drive Wheel	Damper
18	H96388145	Motor Bracket	
19	23951	Nut	3 required
20	61199	Screw	
21	H88900683	Spring Pin	Damper
22	M412905P	Damper Motor	50 Hertz
	M413592P	Damper Motor	60 Hertz
23	H96388186	Drive Chain	
24	H96382072P	Master Link	2 required
25	H88970256	Roll Pin	2 required
26	D501086	Screw	
27	800465	Washer	4 required
28	H96388079	Damper Shaft	
29	M400013	Washer	
30	70142	Nut	
31	44096401	Steam Damper Actuator	
32	H96388012	Damper Link	2 required
33	44091501	Clevis Pin	4 required
34	44091601	Hairpin Cotter	4 required

Steam Heater Components - B, C and I Models



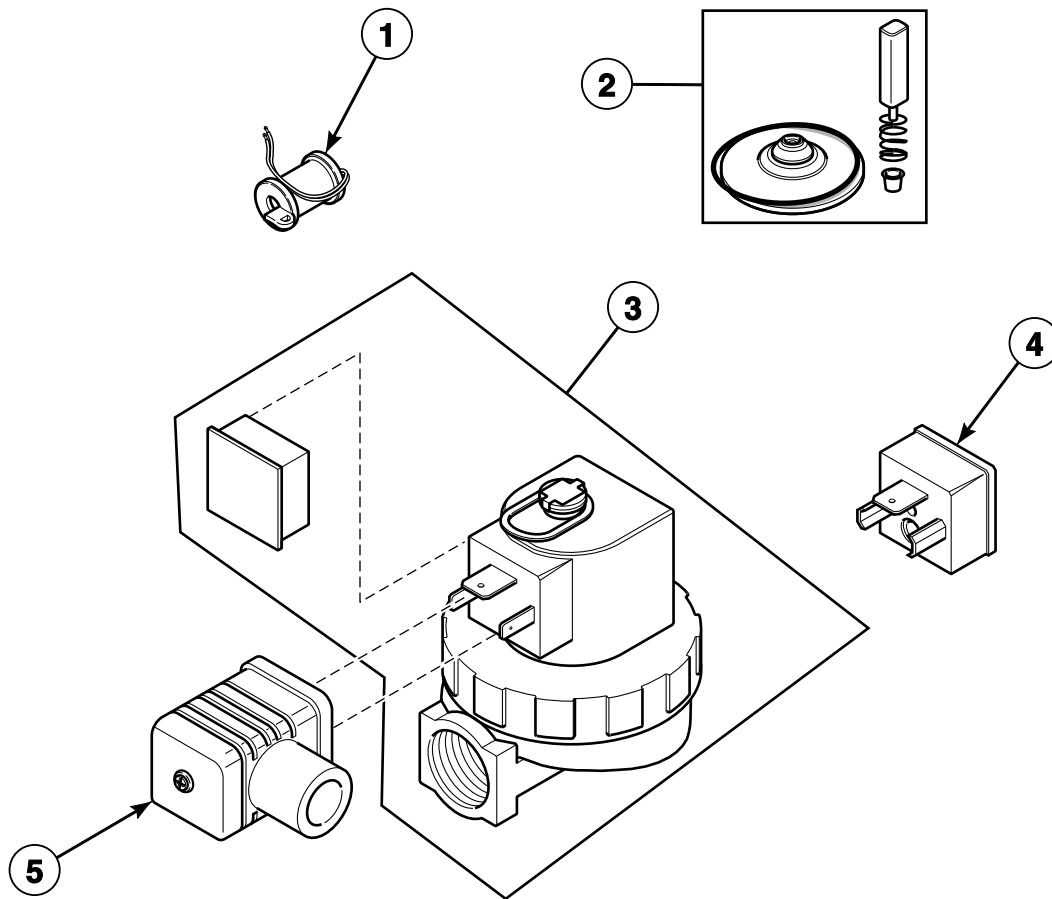
TMB3209P_70422001

Steam Heater Components - B, C and I Models

REF	PART NO.	DESCRIPTION	COMMENTS
	M414534	Damper Bracket	Thermal oil models; 4 required
	44243601	Steam Valve Interface Harness	Models starting 3/11/13
1	44088101	Steam Filter Top Hinge Assembly	2 required
2	44172201	Filter	2 required; CE models
	H96382106	Steam Coil Filter	2 required; Non-CE models
3	H96382023P	Steam Coil	All models except thermal oil models; 902303 Steam Pressure Label by inlet connection
4	44114501	Steam Cover	
5	430497	Screw	6 required
6	44114901	Steam Coil Housing End	2 required
7	H96388087	Filter Channel	2 required; Upper
8	D501086	Screw	8 required
9	801019	Screw	4 required
10	M411550	Steam Coil Support	2 required
11	23951	Nut	4 required
12	02422	Screw	16 required
13	29786	Nut	16 required
14	44114701P	Steam Heater Assembly	Includes items 1-13

Steam Solenoid Valve

All Steam Models Except Thermal Oil Models

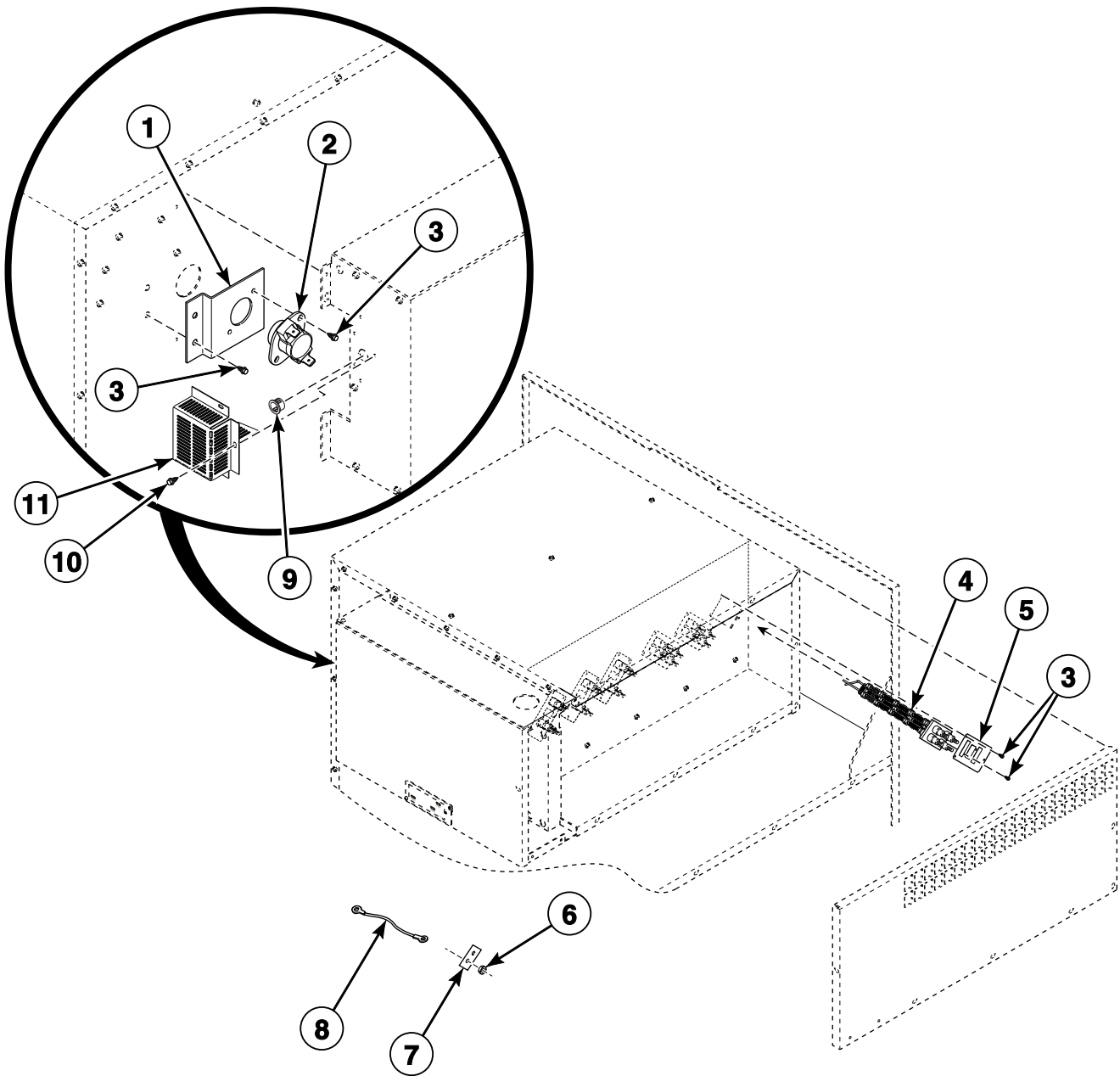


TMB3245P_70422001

Steam Solenoid Valve

REF	PART NO.	DESCRIPTION	COMMENTS
1	70351011P	Steam Solenoid	Use with 70351001P Steam Valve
	F8514801	Valve Coil	Use with F8322902 Steam Valve
	M412258	Steam Valve Coil	Use with F8322903 Steam Valve
2	70351021P	Steam Valve Rebuild Kit	Parker; Use with 70351001P Steam Valve
	F8379502	Valve Rebuild Kit	Asco; Use with F8322902 and F8322903 Steam Valves
3	F8521701	Valve Kit	24 Volt; Parker valve replacement kit
	F8322902	Steam Valve	24 Volt/60 Hertz; Models starting Serial No. 1009000100 through 3/10/13; Asco
	F8322903	Steam Valve	24 Volt; Models starting 3/11/13
	F8322901P	Valve	220 Volt/50 Hertz or 240 Volt/60 Hertz; Models starting 3/11/13
	F8322906P	Valve	Includes F8322901P Valve and F8382301 DIN Valve Adapter Kit; 220 Volt/50 Hertz or 240 Volt/60 Hertz
4	F8382301	DIN Valve Adapter Kit	Models starting 3/11/13
5	70370301P	Solenoid Valve DIN Connector	

Electric Heater Components

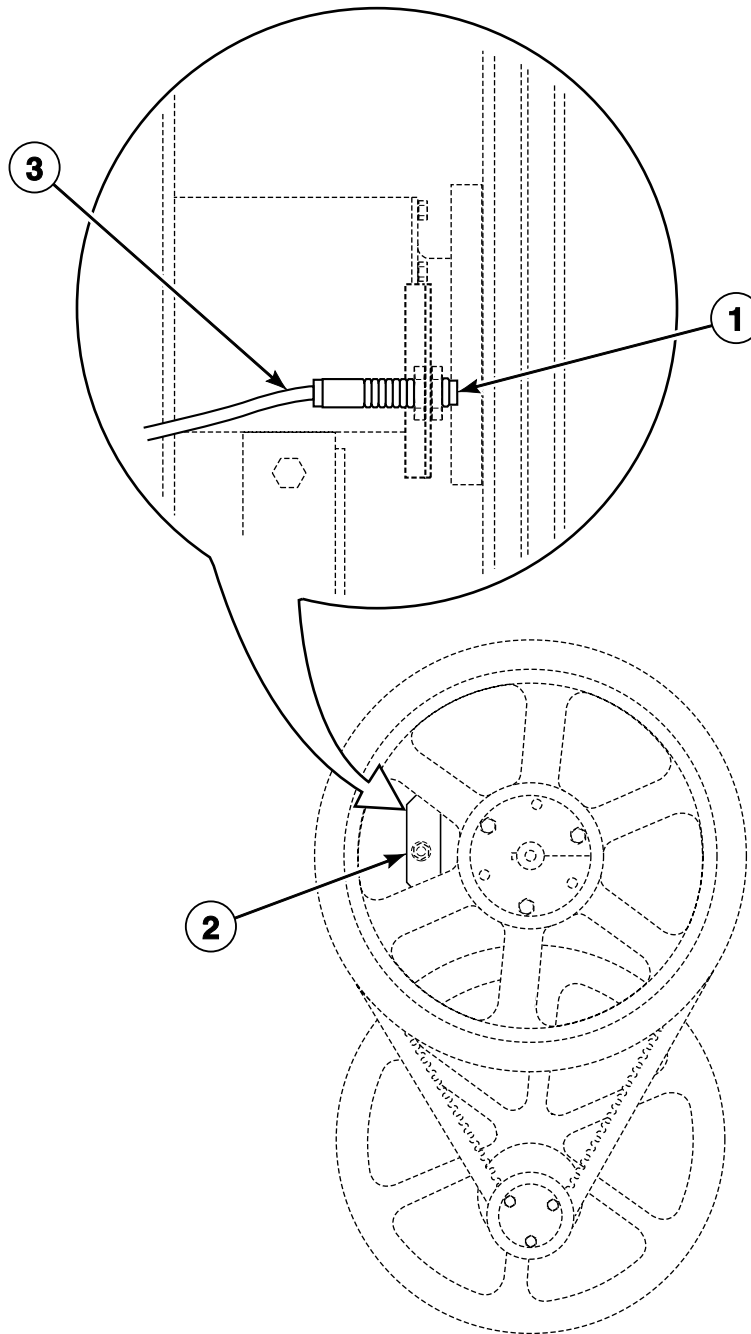


TMB3135P_70422001

Electric Heater Components

REF	PART NO.	DESCRIPTION	COMMENTS
1	44226101	Limit Offset Bracket	
2	M410542	Limit Thermostat	
3	430497	Screw	
4	M410939P	Heater Element	6 required; 10 kW; 240 Volt heater element for 230-240, 400-415 and 480 Volt/3 Phase
	M410941P	Heater Element	6 required; 10 kW; 220 Volt heater element for 380 and 440 Volt/3 Phase
5	44226001	Heater Element Sub-Plate	
6	70054	Nut	24 required
7	M400869	Jumper Strip	12 required for 240 Volt/60 Hertz/3 Phase, 380 Volt/50 or 60 Hertz/3 Phase and 400-415 Volt/50 Hertz/3 Phase; 6 required for 480 Volt/60 Hertz/3 Phase
8	44229101	Jumper Cable	4 required for 380 Volt/50 or 60 Hertz/3 Phase and 400-415 Volt/50 Hertz/3 Phase
	44229201	Jumper Cable	2 required for 480 Volt/60 Hertz/3 Phase
9	44071501	Snap Bushing	
10	51780	Screw	
11	44243001	Stove Limit Cover	

Rotation Sensor

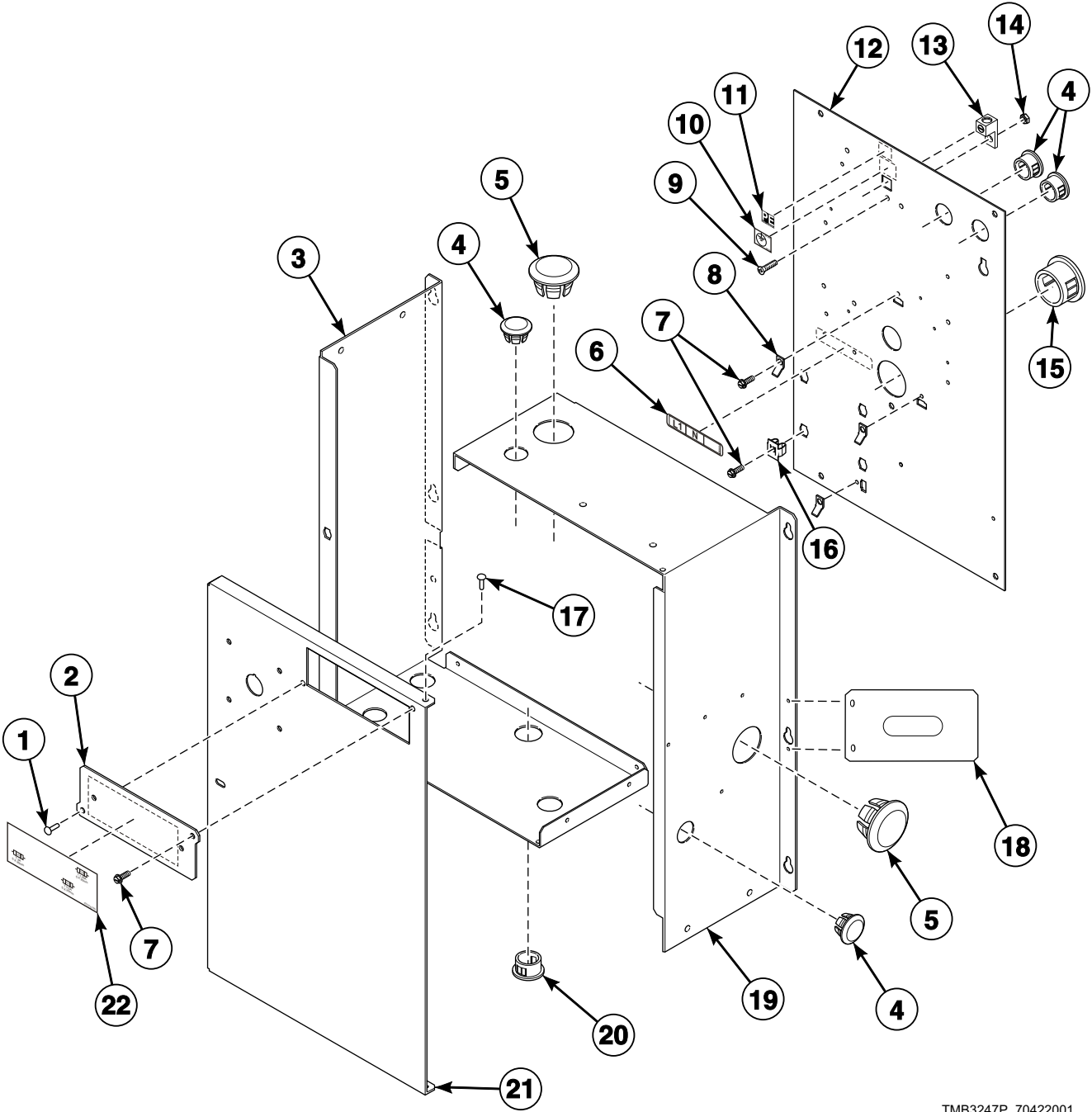


TMB2009P_70422001

Rotation Sensor

REF	PART NO.	DESCRIPTION	COMMENTS
	7010P	Rotation Sensor Kit	Includes item 1 and 44250501 Rotation Sensor Harness
1	F8066201	Rotation Sensor	
2	44111101	Rotation Sensor Bracket	
3	44201701	Rotation Sensor Harness	RE and RU control suffixes
	7010P	Rotation Sensor Kit	Models with R3 and RD control suffixes

Control Tray Wrap Components for Gas and Steam Models

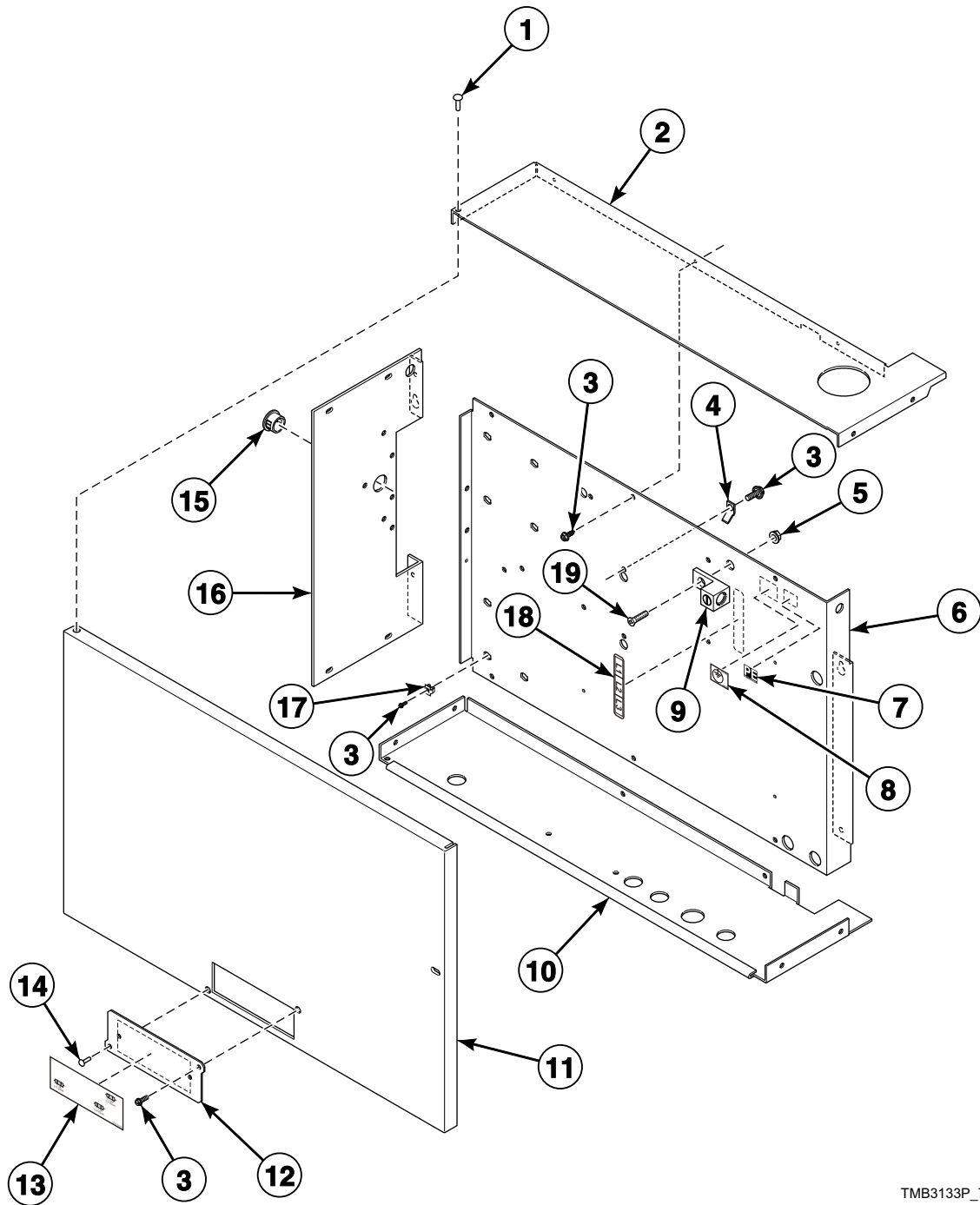


TMB3247P_70422001

Control Tray Wrap Components for Gas and Steam Models

REF	PART NO.	DESCRIPTION	COMMENTS
	M414276	Mount Bracket	Used to mount items 3 and 19 to machine
1	70058501	Pop Rivet	
2	70313301	Fuse Cover	
3	44159001	Contactactor Box Side	
4	M400985	Plug	3 required
5	F8223801	Hole Plug	2 required
6	70218801	Wire Label	L1, N
	70218701	Wire Label	L1, L2, L3
	70219001	Wire Label	L1, N, L2
7	F8206901	Screw	4 required
8	00177	Male Tab Terminal	3 required
9	F430909	Screw	
10	F230739	Ground Decal	
11	M412096	Earth Terminal Sticker	
12	44133701	Contactactor Box Base	
13	M411283	Ground Lug Connector	
14	F430232	Nut	
15	M405340	Snap Bushing	
16	70030501	Expansion Clip	5 required
17	70058502	Pop Rivet	2 required
18	44175801	Pipe Bracket	
19	44158901	Contactactor Box Side	
20	70178701	Snap Bushing	
21	44134001	Contactactor Box Cover	Non-CE models
	44134002	Contactactor Box Cover	CE models
22	70337301	Fuse Label	3 fuses
	70337201	Fuse Label	4 fuses; Models with less than 380 Volts
	70337401	Fuse Label	4 fuses; Gas models with 380 Volts or higher
	44338801	Fuse Label	4 fuses; Steam models with 380 Volts or higher

Control Tray Wrap Components for Electric Models



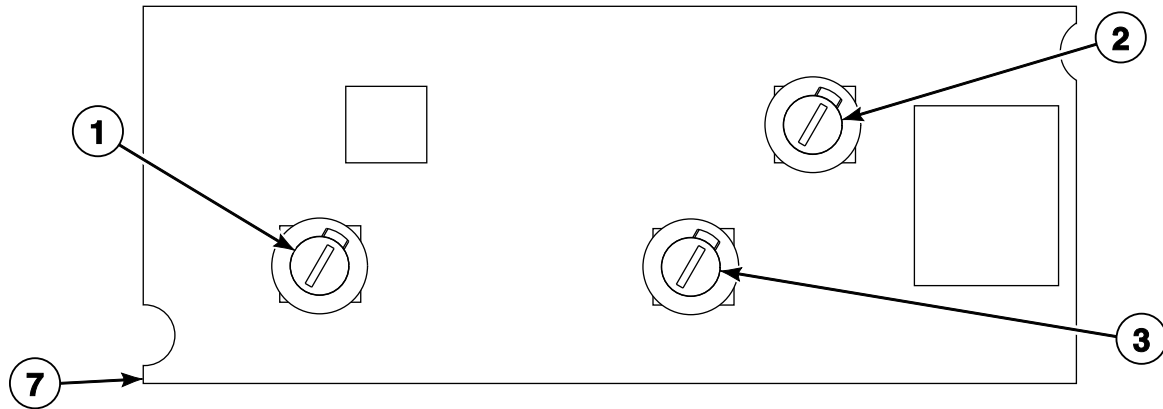
TMB3133P_70422001

Control Tray Wrap Components for Electric Models

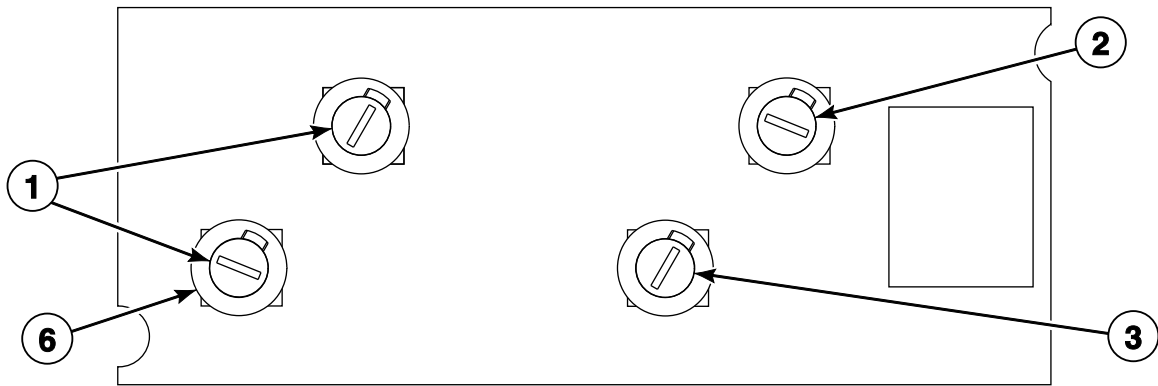
REF	PART NO.	DESCRIPTION	COMMENTS
1	70058502	Pop Rivet	2 required
2	44226301	Top Plate	
3	F8206901	Screw	
4	00177	Male Tab Terminal	3 required
5	70288801	Nut	
6	44226401	Base Plate	
7	M412096	Earth Terminal Sticker	
8	F230739	Ground Decal	
9	44212301	Ground Lug Connector	
10	44230701	Bottom Plate	
11	44226501	Front Cover Plate	
12	70313301	Fuse Cover	
13	70337201	Fuse Label	240 Volt/60 Hertz/3 Phase
	70337401	Fuse Label	380 Volt/50 or 60 Hertz/3 Phase, 400-415 Volt/50 Hertz/3 Phase and 480 Volt/60 Hertz/3 Phase
14	70058501	Pop Rivet	
15	44071501	Snap Bushing	
16	44230801	Contacto Box Side	
17	70030501	Expansion Clip	4 required
18	70218701	Wire Label	L1, L2, L3
19	70244801	Screw	

Control Tray Fuses

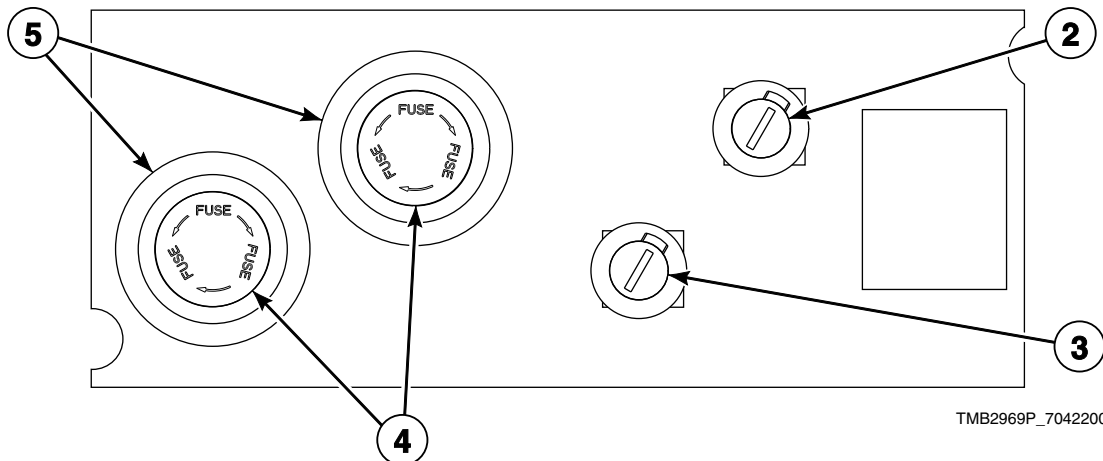
MODELS WITH LESS THAN 380 VOLTS/1 PHASE



MODELS WITH LESS THAN 380 VOLTS/3 PHASE



MODELS WITH 380 VOLTS OR HIGHER/3 PHASE

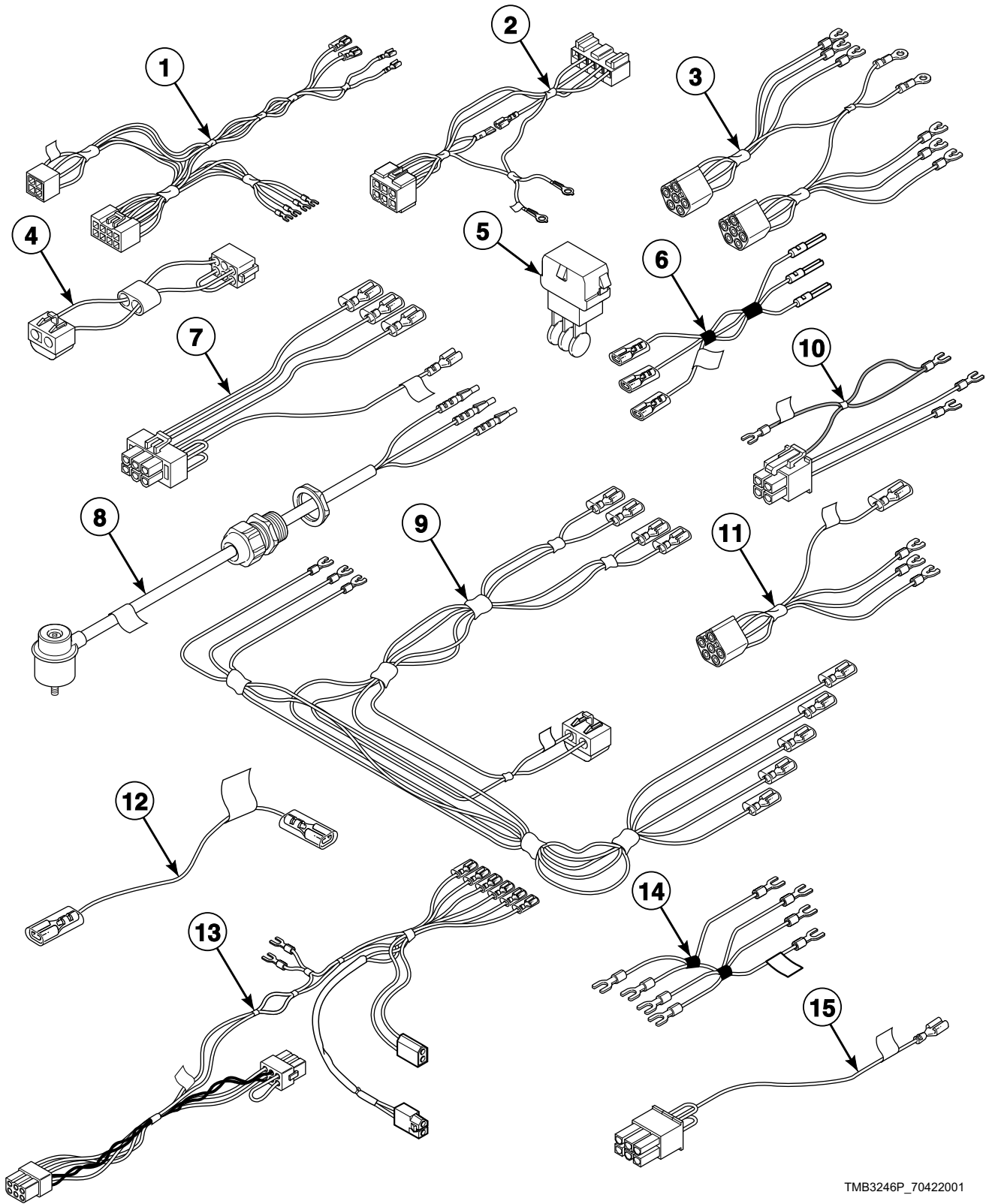


TMB2969P_70422001

Control Tray Fuses

REF	PART NO.	DESCRIPTION	COMMENTS
	44341301	Fuse Label	Steam models; 380-480 Volt
1	70406701	Fuse	2 Amp
2	70406501	Fuse	1.25 Amp
3	70406601	Fuse	3.5 Amp
	802492	Fuse	5 Amp; 380 Volts or higher
4	44310001	Fuse	0.5 Amp; Gas and electric models
	44310002	Fuse	1 Amp; Steam models
5	44155601P	Fuse Holder	
6	70329401P	Fuse Holder Body	
	70329501	Fuse Holder Cap	
7	70313602	Fuse Bracket	Models with 380 Volts or higher
	70306901	Fuse Bracket	Models with less than 380 Volts

Control Tray Harnesses for Gas and Steam Models

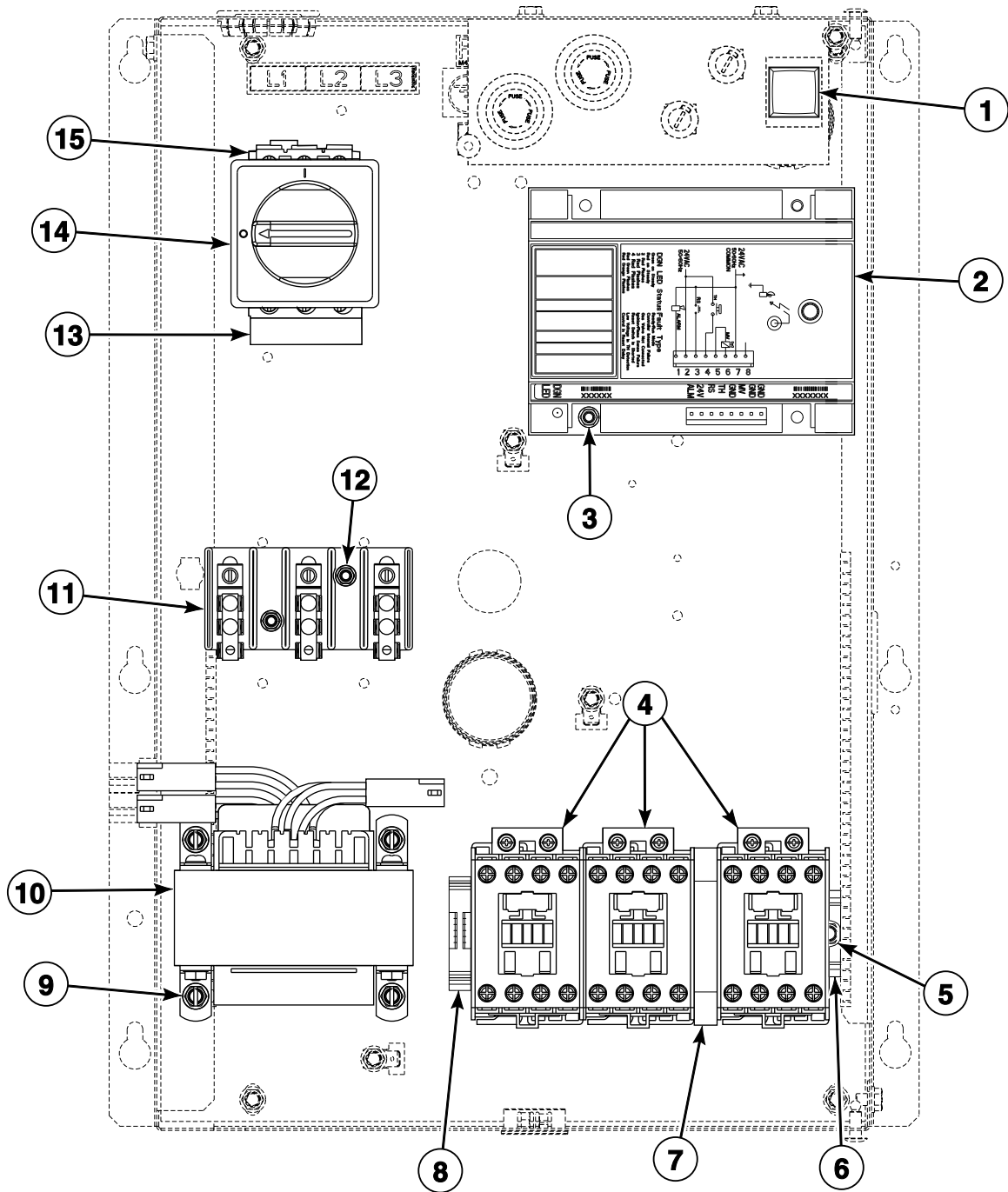


TMB3246P_70422001

Control Tray Harnesses for Gas and Steam Models

REF	PART NO.	DESCRIPTION	COMMENTS
1	44136701P	Junction Box Harness	
2	44186701	Ignition Control Harness	Non-CE gas models; Models through 3/10/13
	44186901	Ignition Control Harness	CE gas models; Models with RE and RU control suffixes; Models through 3/10/13
	44136601P	Ignition Control Harness	CE gas models; Models with all other control suffixes; Models through 3/10/13
	44251601	Ignition Control Harness	Non-CE gas models; Models starting 3/11/13
	44251701	Ignition Control Harness	CE gas models; Models with RE and RU control suffixes; Models starting 3/11/13
	44251201	Ignition Control Harness	CE gas models; Models with all other control suffixes; Models starting 3/11/13
3	44139901P	Motor Contactor Harness	1 Phase
	44142601P	Motor Contactor Harness	3 Phase
4	M413506	Jumper Harness Assembly	208 Volt
	M413507	Jumper Configuration Assembly	240 Volt
	M413508	Jumper Harness Assembly	380 Volt
	M413510	Jumper Configuration Assembly	480 Volt
5	M413863	Network Capacitor Assembly	
6	70342101	Gas Disconnect Harness	CE models
7	44143401P	Network Capacitor Harness Assembly	
8	44243601	Steam Valve Interface Harness	Steam models; Use with F8322901 Steam Valve
9	44136201P	Power Harness	3 Phase models with 380 Volts or higher
	44136301P	Power Harness	3 Phase models with less than 380 Volts
	44139801P	Power Harness	1 Phase
10	44139601P	Reversing Contactor Harness	
11	44137001P	Motor Contactor Harness	3 Phase
	44136401	Motor Contactor Harness	1 Phase
12	70389901	Steam Stove Limit Bypass Harness	Steam models
13	44201201	Steam Relay Harness	Steam models; 24 Volt
	44243401	Steam Relay Harness	Steam models; Use with F8322901 Steam Valve on 200-240 Volt models
	44243501	Steam Relay Harness	Steam models; Use with F8322901 Steam Valve on 380-480 Volt models
14	44157401	Reversing Contactor Jumper Wire	1 Phase; Upper
	44139501	Reversing Contactor Jumper	1 Phase; Lower
	44136801	Reversing Contactor Jumper Assembly	Upper
	44136901	Reversing Contactor Jumper Assembly	Lower
15	44142801	Steam Configuration Harness	Steam models

Control Tray Components for Gas Models

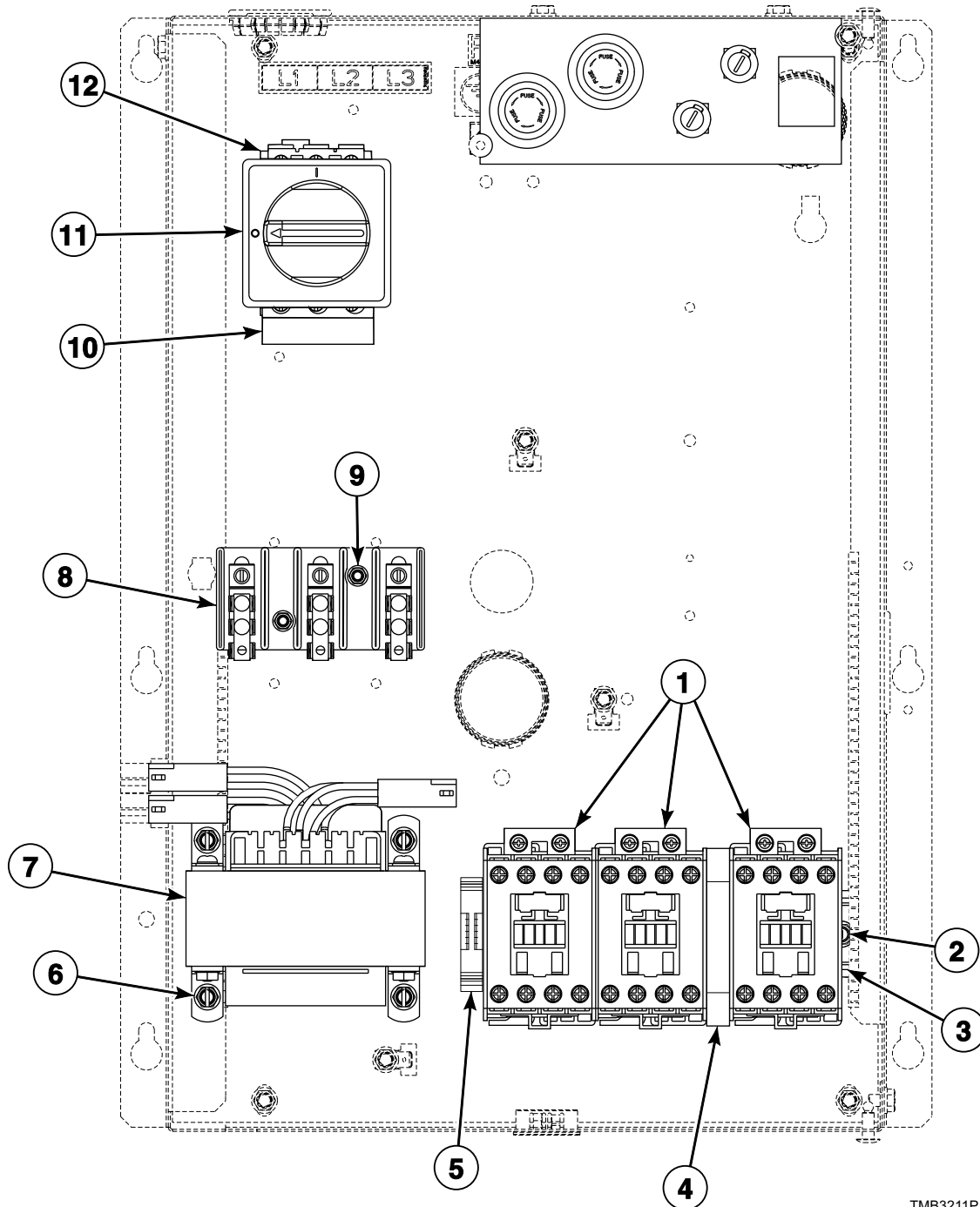


TMB3093P_70422001

Control Tray Components for Gas Models

REF	PART NO.	DESCRIPTION	COMMENTS
1	M413431	Pushbutton Switch	CE and Australian models
2	44264601	Ignition Control Kit	Non-CE and non-Australian models; Models starting Serial No. 0907003062
	44264801	Ignition Control Kit	Non-CE and non-Australian models; Models through Serial No. 0907003061
	44264701	Ignition Control Kit	CE and Australian models; Models starting Serial No. 0907003062
	44264901	Ignition Control Kit	CE and Australian models; Models through Serial No. 0907003061
3	38272	Screw	2 required; Models through 9/16/12
	51783	Screw	2 required; Models starting 9/17/12 through 3/10/13
4	70323701P	Contactator	3 required
5	430497	Screw	2 required
6	M412693	Din Rail	
7	F330186P	Interlock Contactator	
8	70121001	End Stop	
9	M411072	Screw	4 required
10	M414228P	Transformer	Multitap; 100-240 Volt
	M414229P	Transformer	Multitap; 380-480 Volt
	44074401	Transformer	Dual secondary; 440 Volt
	M414230P	Transformer	Single secondary; 120 Volt
	M414312P	Transformer	Dual secondary; 120 Volt
11	430642	Terminal Block	Use 70333001 Terminal Block Shield to protect terminal block
12	51783	Screw	2 required
13	M412366	Finger Guard	CE models; Models through 7/31/11
14	M412208	Handle	CE models; Models through 7/31/11; 44160701 Extension Handle attaches to operator handle; M412368 Interlock Door mounts under operator handle
15	M412187P	Mounting Switch Base	CE models; Models through 7/31/11; Use 51782 Screw to attach

Control Tray Components for Steam Models

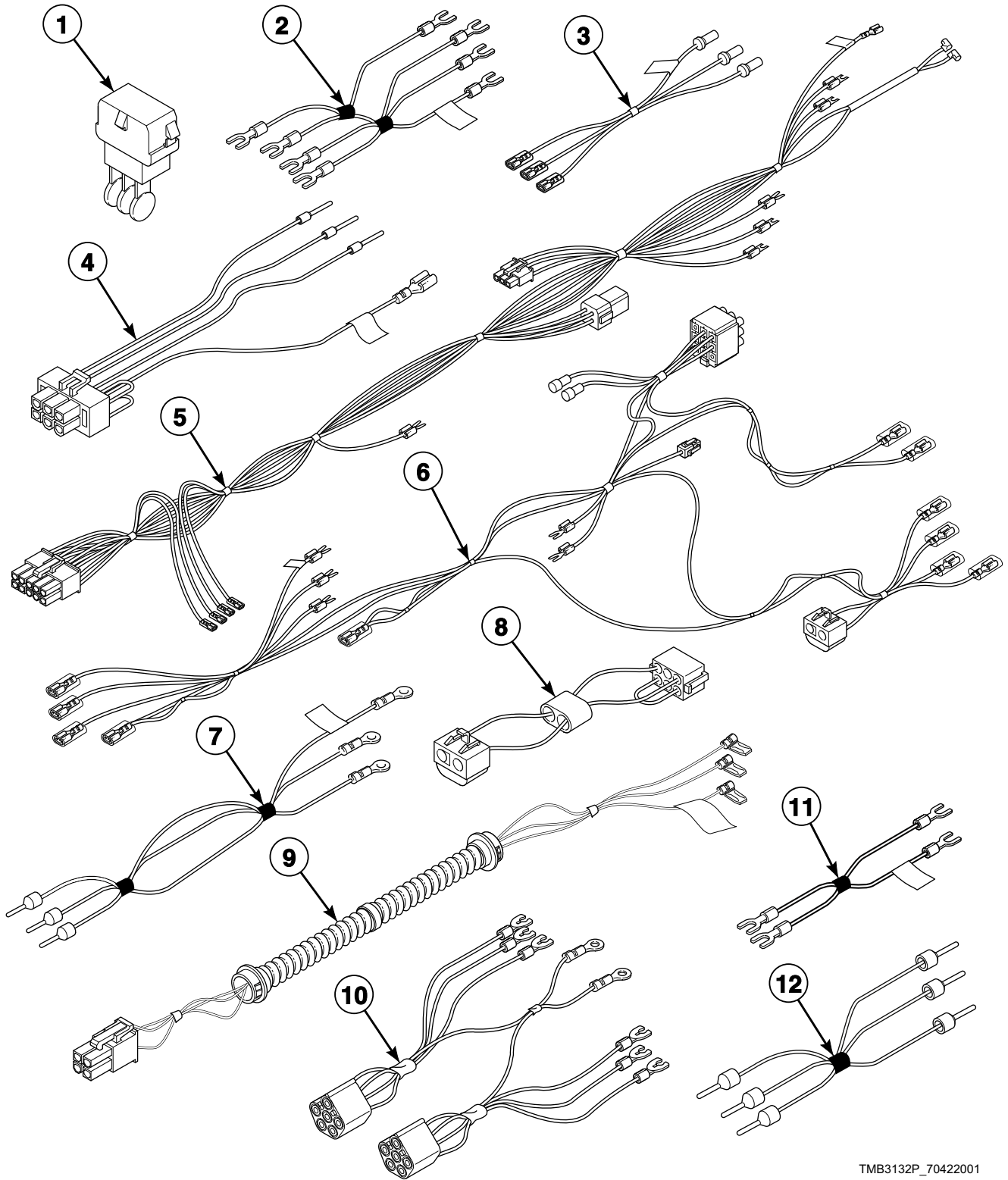


TMB3211P_70422001

Control Tray Components for Steam Models

REF	PART NO.	DESCRIPTION	COMMENTS
	M4984P3	Steam Kit	Includes item 12, 44201201 Steam Relay Harness and 2 of M405188 Screw
	F8401301	Transformer	Models with 380 Volts or higher
1	70323701P	Contactator	3 required
2	430497	Screw	2 required
3	M412693	Din Rail	
4	F330186P	Interlock Contactator	
5	70121001	End Stop	
6	M411072	Screw	4 required
7	M414228P	Transformer	Multitap; 100-240 Volt
	M414229P	Transformer	Multitap; 380-480 Volt
	44074401	Transformer	Dual secondary; 440 Volt
	M414230P	Transformer	Single secondary; 120 Volt
	M414312P	Transformer	Dual secondary; 120 Volt
8	430642	Terminal Block	Use 70333001 Terminal Block Shield to protect terminal block
9	51783	Screw	2 required
10	M412366	Finger Guard	CE models; Models through 7/31/11
11	M412208	Handle	CE models; Models through 7/31/11; 44160701 Extension Handle attaches to operator handle; M412368 Interlock Door mounts under operator handle
12	M412187P	Mounting Switch Base	CE models; Models through 7/31/11; Use 51782 Screw to attach

Control Tray Harnesses for Electric Models

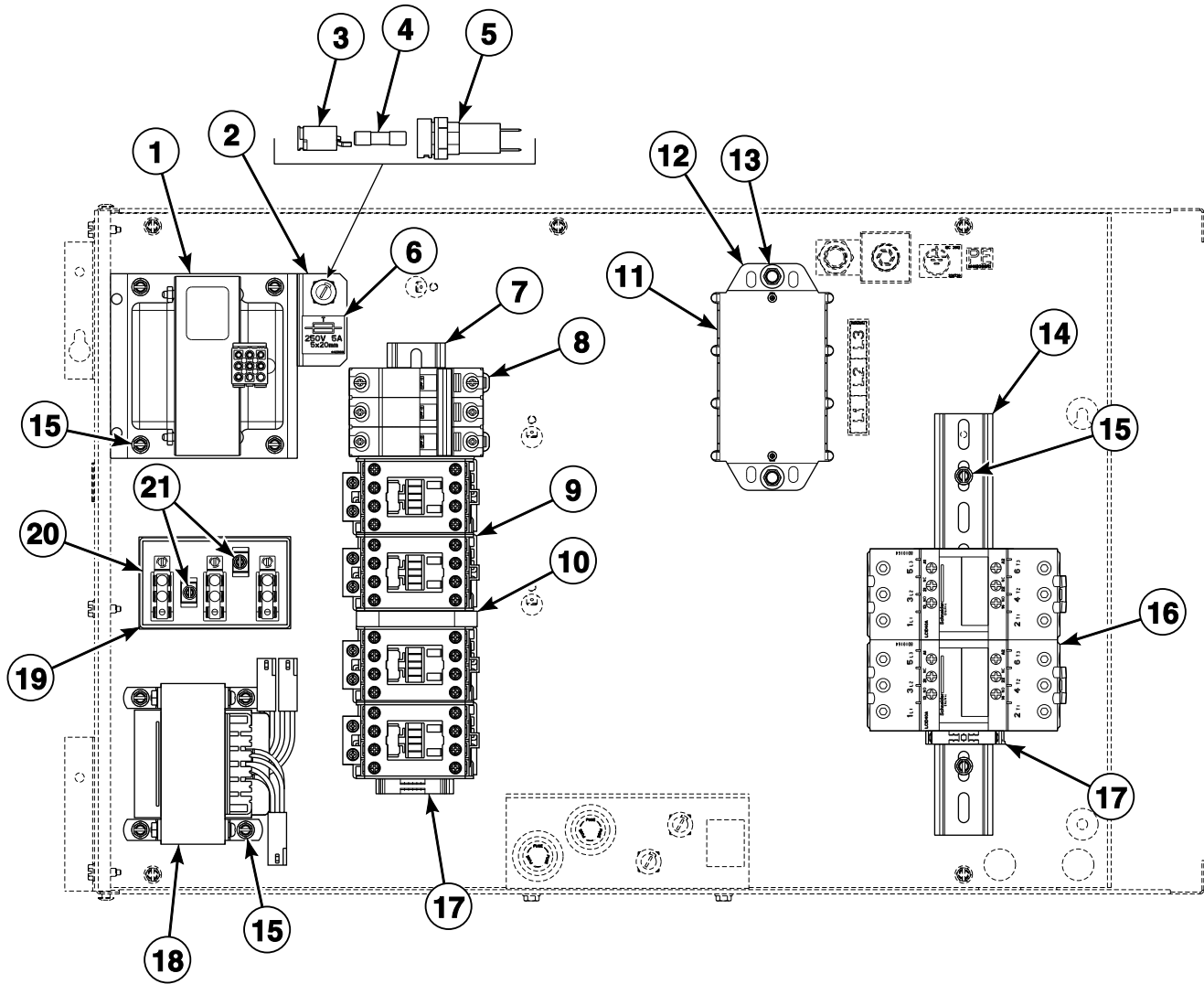


TMB3132P_70422001

Control Tray Harnesses for Electric Models

REF	PART NO.	DESCRIPTION	COMMENTS
1	M413863	Network Capacitor Assembly	R3, RD and RM control suffixes
2	44136801	Reversing Contactor Jumper Assembly	Upper
	44136901	Reversing Contactor Jumper Assembly	Lower
3	44229801	Power Jumper	
4	44152001	Network Capacitor Harness Assembly	R3, RD and RM control suffixes
	M413930P	Ferrite Core Assembly	R3, RD and RM control suffixes
5	44227601	Contactor Tray Harness	
6	44227701	Power Harness	Models with less than 380 Volts
	44227801	Power Harness	Models with 380 Volts or higher
7	44228701	Heater Cable Set	HC1-HC2
	44246701	Heater Cable Set	HC1-HC2; 1 required for models with less than 380 Volts
	44228801	Heater Cable Set	HC3-HC4
	44246801	Heater Cable Set	HC3-HC4; 1 required for models with less than 380 Volts
8	M413507	Jumper Configuration Assembly	240 Volt
	M413508	Jumper Harness Assembly	380 Volt
	M413509	Jumper Harness Assembly	415 Volt
	M413510	Jumper Configuration Assembly	480 Volt
9	44228101	Airflow Switch Harness	
10	44142601P	Motor Contactor Harness	
11	44227901	Contactor Harness	
	44228001	Contactor Jumper Harness	3 required for models with less than 380 Volts; 1 required for models with 380 Volts or higher
12	44228201	Cable Set	PDB to breaker
	44228401	Cable Set	PDB to HC2; 2 required for models with less than 380 Volts; 1 required for models with 380 Volts or higher
	44228501	Cable Set	PDB to HC3
	44228601	Cable Set	PDB to HC4; 240 Volt

Control Tray Components for Electric Models



TMB3134P_70422001

Control Tray Components for Electric Models

REF	PART NO.	DESCRIPTION	COMMENTS
	44342701	Time Delay Interlock Kit	
1	F8401301	Transformer	Models with 380 Volts or higher
2	44230901	Fuse Mounting Bracket	Models with 380 Volts or higher
3	70329501	Fuse Holder Cap	Models with 380 Volts or higher
4	802492	Fuse	Models with 380 Volts or higher
5	70329401P	Fuse Holder Body	Models with 380 Volts or higher
6	44231001	Fuse Sticker	Models with 380 Volts or higher
7	44229701	Din Rail	
8	44212901	Circuit Breaker	
9	70323701P	Contactors	4 required
10	F330186P	Interlock Contactor	
11	44014902	Power Distribution Block Shield	
12	44211501	Power Distribution Block	
13	202175	Screw	
	44087101	Nut	
14	44229601	Din Rail	
15	F8206901	Screw	
16	44213001	Contactors	4 required for models with less than 380 Volts; 2 required for models with 380 Volts or higher
17	70121001	End Stop	2 required
18	M414228P	Transformer	240 Volts
	M414229P	Transformer	380 Volts or higher
19	M413862	Insulator	
	70333001	Terminal Block Shield	
20	430642	Terminal Block	
21	51783	Screw	

Parts Index

A

Access Panel	
44012601*	35
44012602	35
Access Panel Trim	
70399403	35
Actuator Arm Assembly	
H96387501	73
Adjustable Buzzer	
D505447	21
Airflow Switch and Arm Bracket	
70319602	63
Airflow Switch Arm	
70319401	63
Airflow Switch Assembly	
70429602	63
Airflow Switch Harness	
44228101	95
Airflow Switch Kit	
70429601P	63
Airflow Switch Vane	
70319201	63
70319202	63

B

Ball Bearing	
H87672374	51
M414367	51
44104801	57
Ball Bearing Insert	
H8768212H	57
Base Bracket	
H96428693	53, 59
Base Harness	
44162701	43
Base Plate	
44226401	85
Bearing Mounting	
H96428008	49
Bearing Mounting Flangette	
H8768302H	57
Belt	
H8753170H	59
H87533014	51
Belt Adjustment Tube	
H96428487	51, 53
Belt Guard	
44160201	45
44160301P	45
44160302	45
44160401	45
44160501	45
Belt Set	
H87533816P	51
Blower Cover	
H96358007	57, 61

Blower Motor Base Kit	
H608P3	57, 59, 61
Blower Shaft	
M412000	57
Bolt	
H88301411	47
44017901	41
Bottom Plate	
44230701	85
Burner	
M412025P	65, 67, 69
Burner Hole Cover	
44249701	69
Burner Orifice	
70684114	71
70684115	71
70684117	71
70684118	71
70684120	71
70684139	71
70684142	71
70684143	71
70684144	71
70684147	71
Burner Shutter	
M413795	67
Bushing	
H87529111P	59, 61
H87529129P	53
H8752985HP	51
M411537	43, 45
M412917P	57
M414459	73
Buzzer Kit	
M4860P3	17
Bypass Harness	
70364103	15, 19, 23, 27, 29

C

Cable Set	
44228201	95
44228401	95
44228501	95
44228601	95
Cable Tie	
M405829	45, 69
Circuit Board Support	
D501523	31
Circuit Breaker	
44212901	97
Circuit Plug Housing, 1	
44370401	55
Clevis Pin	
44091501	73
Clip	
M400984	45
Connector	
M403862	61
Contact Base	
F8538101	19, 27, 29

N/A items do not appear in index.

Contact Block Switch		44111705W.....	15
F200233400.....	15, 19, 27, 29	44111705*.....	23, 29
Contact Switch		44111706.....	15, 23
F8069501.....	15, 19, 27, 29	44111713LG.....	19, 25, 29
F8538101.....	15	44111714LG.....	19
Contactor		44111715LG.....	19, 25, 29
44213001.....	97	44111716LG.....	19
70323701P.....	91, 93, 97	44111717.....	15, 23
Contactor Box Base		44111719.....	23
44133701.....	83	Control Harness	
Contactor Box Cover		44100101P.....	17
44134001.....	83	44162601.....	31
44134002.....	83	Control Housing Cover	
Contactor Box Side		44161101.....	13
44158901.....	83	Control Kit	
44159001.....	83	70228401P.....	15
44230801.....	85	Control Mounting Bracket	
Contactor Harness		44012801W.....	15
44227901.....	95	44040201*.....	21
Contactor Jumper Harness		44040202.....	21
44228001.....	95	44099501W.....	15, 25, 29
Contactor Tray Harness		44099501*.....	17
44227601.....	95	44099502.....	17, 25, 29
Control		44099504DG.....	25
44063801P.....	31	44099504LG.....	17, 29
Control Assembly		44099505.....	17, 25, 29
D512202P.....	19	Control Panel Harness	
70434101P.....	27, 29	44240301.....	25, 29
70437102P.....	27	70335301P.....	15
70437103P.....	27	70342001P.....	21
70437104P.....	27	70367001P.....	17
70437105P.....	27	70382701P.....	15
70454001P.....	29	70485301.....	23
70454101P.....	27	70489901.....	23
70462307P.....	23	Control Panel Harness Assembly	
70503101P.....	17	70341801P.....	21
70503702P.....	27	Control Plate and Studs Assembly	
Control Board		44099201.....	17
254/00070/00P.....	23	44185701.....	27
Control Box		Control Plate Assembly	
44161001.....	13	44029601.....	15
Control Box Base		44038601.....	23
44065301.....	31	44041101.....	21
Control Box Cover		44224601.....	29
44065201.....	31	Control Trim	
Control Box Housing		44016401.....	15, 19, 25
44065101.....	31	44016402.....	15, 19, 25
Control Box Top		Conversion Kit	
44065401.....	31	M4577P3.....	65
Control Chassis Mounting Bracket		Cylinder and Trunnion Assembly	
70357901.....	19	44054801.....	47
Control Cover		44054802.....	47
44013306.....	15	44194101.....	47
44013307*.....	15, 19, 25, 29	44194102.....	47
44013308.....	19, 25, 29	Cylinder Assembly	
44013311*.....	19, 25, 29	H96427513.....	47
44013315DG.....	25	M409788.....	47
44013316DG.....	25	44193301.....	47
44013317.....	19, 25, 29	44193302.....	47
44013319.....	15, 19, 25, 29	Cylinder Motor Harness	
44040107*.....	21	44162901.....	53
44040108.....	21	Cylinder Rib Assembly	
44040111*.....	21	44191203.....	47
44040112.....	21		
44111701*.....	15, 23, 29		
44111703*.....	29		

N/A items do not appear in index.

D

Damper	
H96387519	73
Damper Assembly	
M409967	57, 61
Damper Bracket	
M414534	73, 75
Damper Counterweight	
M413331	73
Damper Link	
H96388012	73
Damper Motor	
M412905P	73
M413592P	73
Damper Shaft	
H96388079	73
Din Rail	
M412693	91, 93
44229601	97
44229701	97
DIN Valve Adapter Kit	
F8382301	77
Display Assembly	
D512218P	17
Door Assembly	
44028902P	37
44028903	37
44029101	37
44058102P	37
44112101	37
44266701	37
44292301B	37
44292301LG	37
70407401	37
Door Glass	
44008401P	37
44008402P	37
Door Glass Installation Tool	
M4221P4	37
Door Handle	
M400133	37
44007901	37
44057702	37
44263801	37
Door Hinge	
44075207B	39
Door Hinge Assembly	
44075201LG	39
44075201*	39
44075210	39
Door Hinge Lug Assembly	
44035001	33, 39
44035002	33, 39
Door Latch	
M401223	33
Door Ring and Handle Assembly	
44112001	37
44326007B	37
44326007LG	37
Door Ring Assembly	
44326001	37
44326002	37
44326003B	37

44326004B	37
44326004HG	37
Door Ring Gasket	
44008201P	37
Door Seal Kit	
70211902P	37
Door Switch	
44018201	33
Door Switch Actuator Kit	
70215001P	39
Door Switch Cover	
44001301	33
Door Switch Harness	
44162501	33
Door Switch Wire Channel	
44001801	33
Drive Chain	
H96388186	73
Drive Rivet	
M400713	15, 17, 31
Drive Wheel	
H96388178	73

E

Earth Terminal Sticker	
M412096	83, 85
Elbow	
F421107	67
70079601	67
Electronic Control	
44037801P	21
Emergency Stop Contact Harness	
70364105P	15, 19
Emergency Stop Harness	
70364106P	15, 19, 27, 29
Emergency Stop Label	
44012901	15, 19, 27, 29
Emergency Stop Pushbutton	
F200233500	15, 19, 27, 29
End Stop	
70121001	91, 93, 97
Ethernet Gateway Kit	
NK320	29
Expansion Clip	
70030501	15, 17, 25, 27, 29, 83, 85

F

Fan and Bushing Assembly	
M414546	57, 61
Fan Motor	
44046401P	59
Fan Motor Harness	
44242601	59
Felt Pad	
M402144	45
Ferrite Core Assembly	
M413930P	15, 21, 23, 95
Fill Hose Kit	
38349P	31

N/A items do not appear in index.

Filter	
44172201	73, 75
Filter Channel	
H96388087	73, 75
Finger Guard	
M412366	91, 93
Flange Bearing	
44048301P	49
Front Access Panel	
44012608	35
44012609B	35
44012609LG	35
44012609W	35
44012610DG	35
44012611	35
44012612	35
Front Access Panel and Door Hinge Kit	
M4786P3	35, 37, 39
Front Cover Plate	
44226501	85
Front Panel	
44012402	33
44012403LG	33
44012404	33
44012405W	33
44012406DG	33
44012406W	33
44012408	33
44078003	33
Fuse	
44310001	87
44310002	87
70406501	87
70406601	87
70406701	87
802492	87, 97
Fuse Bracket	
70306901	87
70313602	87
Fuse Cover	
70313301	83, 85
Fuse Holder	
44155601P	87
Fuse Holder Body	
70329401P	87, 97
Fuse Holder Cap	
70329501	87, 97
Fuse Label	
44338801	83
44341301	87
70337201	83, 85
70337301	83
70337401	83, 85
Fuse Mounting Bracket	
44230901	97
Fuse Sticker	
44231001	97

G

Gas Disconnect Harness	
70342101	89
Gas Stove Assembly	
44196401P	65, 67

44248801	69
Gas Valve	
M413470P	65, 69
44166701	65, 69
44166702	65, 69
44178301P	67
44178302P	67
44227201	69
44227202	69
Gas Valve Bracket	
M411259	65
44117501	67
44245701	69
Gas Valve Harness	
44199101	67
70184001	69
Gas Valve Harness Assembly	
M413650	69
Gas Valve Kit	
M4883P3	65, 69
Graphic Overlay	
44240501	23
Ground Decal	
F230739	83, 85
Ground Lug Connector	
M411283	83
44212301	85
Guard Extension	
44222501	45

H

Hairpin Cotter	
44091601	73
Handle	
M412208	91, 93
Handle and Caps Assembly	
44049901	41
44049902	41
Handle Bar	
70399501B	37
Handle Bumper	
70407203	41
70407211	41
Harness Assembly	
M412997	65, 69, 73
Harness Strap	
55881	33
Heater Cable Set	
44228701	95
44228801	95
44246701	95
44246801	95
Heater Element	
M410939P	79
M410941P	79
Heater Element Sub-Plate	
44226001	79
High Temperature Ignition Lead	
44061602P	65, 67
High Voltage Suppression Cable	
44239703	65, 67, 69

N/A items do not appear in index.

Hinge Cam Kit	
M4772P3	39
M4773P3	39
Hole Plug	
F8223801	83
Hose	
44073302	31
Hose Clamp	
20391	69
36801	31
Hose Fitting	
44069101	31

I

Igniter Cover	
70159601	69
Ignition Control	
70458601P	69
70483201P	69
Ignition Control Harness	
44136601P	89
44186701	89
44186901	89
44251201	89
44251601	89
44251701	89
Ignition Control Kit	
44264601	91
44264701	69, 91
44264801	91
44264901	91
Insulation	
M411593	45
Insulator	
M413862	97
Interlock Contactor	
F330186P	91, 93, 97

J

Jackshaft Assembly	
H96357751	51
Jumper Cable	
44229101	79
44229201	79
Jumper Calibration Wire	
70084305	15
70324604	17, 27, 29
Jumper Configuration Assembly	
M413507	89, 95
M413510	89, 95
Jumper Harness Assembly	
M413506	89
M413508	89, 95
M413509	95
Jumper Strip	
M400869	79
Junction Box Harness	
44136701P	89

K

Key	
H8752006H	53, 57
70155601	31
Kickplate	
70117609	41
70117610	41

L

Label	
44190901	33
70414001	35
70537001	33
70537101	33
Light	
801432	31
Limit Offset Bracket	
44226101	79
Limit Thermostat	
M410542	79
Lint Panel	
44012201W	41
44012202	41
44012203LG	41
44012204DG	41
44012205	41
44012206	41
44012207	41
Lint Panel Clip	
44017801	41
Lint Panel Switch Bracket	
44013401	43
Lint Panel Switch Cover	
44026801	43
Lint Screen	
44063602	45
44077702P	45
Lint Screen Clip	
H96418413	45
Lock, Key and Nut Kit	
44089301P	31
L.P. Conversion Kit	
44240402P	69
L.P. Gas Conversion Kit	
M4578P3	65, 69
M4973P3	65, 69
M4975P3	65
L.P. Valve Conversion Kit	
44240401P	69

M

Main Harness	
44162401	13
44227501	13
44243701	13
44251301	13
Male Tab Terminal	
00177	21, 23, 83, 85

N/A items do not appear in index.

Manifold	
44079601	31
44079602	31
Manifold End Bracket	
44173801	65, 67, 69
Master Link	
H96382072P	73
Membrane Switch	
M414368P	15
44037901P	21
Mixing Valve	
36958P	31
Mixing Valve Shield Bracket	
44065701	31
Moisture Sensing Harness Kit	
44344703	55
Moisture Sensor Harness Assembly	
44209201	55
Moisture Sensor Test Wires	
70468901	55
Motor	
44046301P	61
44052901P	53
44053001P	53
44157601	53
44157701	61
Motor Adjustment Tube	
H96428628	59
Motor Base	
M413171	53, 59
Motor Bracket	
H96388145	73
Motor Contactor Harness	
44136401	89
44137001P	89
44139901P	89
44142601P	89, 95
Mount Bracket	
M414276	83
Mounting Switch Base	
M412187P	91, 93

N

Nameplate	
B12389801	35
F8443102	35
44010401	35
44010601	35
44035801	35
44046801	35
70243901	35
70348501	35
70509601	35
70522001	35
Nameplate Overlay	
44104501	35
44130401	35
44144401	37
44235401	35
70128901	35
70410201	35
70411401	37

Network Capacitor Assembly	
M413863	89, 95
Network Capacitor Harness Assembly	
44143401P	89
44152001	95
Network Controller Kit	
NK220	29
Network Retrofit Kit	
NK209	29
Nipple	
H85101608	67
H85101673	65, 67
M403934	67
Nut	
F430232	83
H88412093	59
H88412101	47, 49, 51, 53, 59
M400035	55
M400977	15, 19, 25, 35
M412334	47
M412986	53
M414215	37
02788	33
20274	45, 49, 51, 57, 59, 61
23951	37, 45, 73, 75
24205	17
29786	33, 73, 75
29787	17, 21, 23
44071201	37
44087101	41, 97
70030401	33, 35
70054	15, 17, 21, 23, 25, 29, 41, 45, 57, 61, 79
70142	53, 57, 59, 61, 73
70288801	85

O

Output Bracket	
44223101	25
44223201	29
Output Harness	
44186101	25, 29
Overlay	
259/00005/00	23
44130001	15
70128401	15
70128601	15
70130501	15
70130701	15
70135301	15
70362202	17
70362402	17
70362502	17
70432201	29
70445002	25
70445004	25
70462401	25
70462701	25
70462901	25
70472201	25
70472401	25
70493701	25
70494002	17
70499001	29
70504702	17
70504901	25

N/A items do not appear in index.

70508601	25
70526001	25

P

Panel Locator	
56079	17
Pipe Bracket	
M411498	65, 67
44175801	83
44249301	69
Pipe Cap	
44087701	65
44087801	67, 69
44165901	65, 67
Pipe Elbow	
44249401	69
Pipe Keeper Bracket	
44117901	67
Pipe Nipple	
M411417	65
44249501	69
44252301	69
44252401	69
70435601	67
901403	67
Pipe Tee	
44174201	65, 67
Pipe Union	
M411419	65, 67, 69
Plug	
M400985	57, 83
Pop Rivet	
430725	27, 29, 43
44166601	33
70058501	39, 83, 85
70058502	83, 85
70126301	37, 41
70126401	41
Porcelain Touch-Up Paint	
122P4P	33
370P4P	33
Power Distribution Block	
44211501	97
Power Distribution Block Shield	
44014902	97
Power Harness	
44136201P	89
44136301P	89
44139801P	89
44227701	95
44227801	95
Power Jumper	
44229801	95
Pressure Fitting	
44231601	69
Pushbutton Switch	
M413431	91
Push-to-Start Switch	
801434W	31

R

RC Filter Kit	
M4457P3	15
Reducing Tee	
44117401	67
Relay	
M412534	15, 21, 23
Relay/Buzzer Bracket	
44041701	15, 21, 23
Retaining Ring	
H88602263	51
H88603477	51
Reversing Contactor Harness	
44139601P	89
Reversing Contactor Jumper	
44139501	89
Reversing Contactor Jumper Assembly	
44136801	89, 95
44136901	89, 95
Reversing Contactor Jumper Wire	
44157401	89
Rib Wire	
44208101	55
Rocker Switch	
44099601	17
70455101	17
70461301	17
Rod End	
44048501	51, 53, 59
Roll Pin	
H88970256	73
Roller Catch	
H87020202	41
Roller Catch Mounting Bracket	
44014001	41
Rotation Sensor	
F8066201	81
Rotation Sensor Bracket	
44111101	81
Rotation Sensor Harness	
44201701	81
Rotation Sensor Kit	
7010P	21, 23, 81

S

Screw	
D501086	23, 41, 73, 75
D501524	25, 27, 29
F430909	83
F8206901	83, 85, 97
H88001565	59
H8800901H	57, 61
H88010574	73
H88012034	49
H88213996	49
M400043	45, 57, 59, 61
M400044	39
M400056	53, 57, 59, 61
M400063	51, 53
M400661	37
M402574	33

N/A items do not appear in index.

M405188	73	Steam Coil Housing End	
M411072	45, 91, 93	44114901	75
M411165	49	Steam Coil Support	
02422	73, 75	M411550	73, 75
202175	97	Steam Configuration Harness	
22688	51, 57, 59	44142801	89
38272	69, 91	Steam Cover	
430497	15, 17, 31, 43, 45, 57, 61, 63, 65, 67, 69, 75, 79, 91, 93	44114501	75
430757	41	44115101	73
431287	33	Steam Damper Actuator	
44023301	33	44096401	73
44048901	57	Steam Filter Top Hinge Assembly	
44079301	57, 59	44088101	73, 75
44338901	55	Steam Heater Assembly	
51780	31, 69, 79	M414458	73
51782	65, 67, 69	M414482	73
51783	69, 91, 93, 97	44114701P	75
61199	37, 41, 45, 57, 61, 73	Steam Kit	
70033504	33, 39	M4984P3	93
70182601	33, 35	Steam Relay Harness	
70244801	85	44201201	89
70409801	39	44243401	89
70442101	39	44243501	89
800930	15, 17, 19, 25, 27, 29	Steam Solenoid	
801019	73, 75	70351011P	77
Security Cover Kit		Steam Stove Limit Bypass Harness	
M4795P3W	15, 17, 19	70389901	89
Sensor Harness Assembly		Steam Valve	
44166801	31	F8322902	77
Shaft Collar		F8322903	77
M414451	73	Steam Valve Coil	
Sheave		M412258	77
H87520284	57	Steam Valve Interface Harness	
H87520334	51, 53, 59	44243601	73, 75, 89
H87520466	51, 53	Steam Valve Rebuild Kit	
H8752251H	51	70351021P	77
Sleeve		Step Pulley and Bearing Kit	
44050601	23	M4696P3	51
Slip Ring Assembly		Stove Gasket	
44222702	55	M411505	65, 67
Snap Bushing		Stove Limit Cover	
M400770	33	44243001	79
M402542	67	Stove Limit Harness Bracket	
M405340	83	431078	65, 67, 69
44071501	69, 79, 85	Stove Limit Thermostat	
70178701	31, 65, 83	M411404	65
Solenoid Valve DIN Connector		Stove Partition Gasket	
70370301P	77	M411506	65
Spacer		Switch	
M401402	47, 49	70411901	63
431264	27, 29	Switch Assembly	
Spark Electrode		70413401	43
44328701P	67, 69	Switch Bracket	
Spark Electroder		70356301	63
44328701P	65	Switch Plate	
Spray Paint		M413236	17
298P4P	33		
Spring Pin			
H88900683	73		
Spud Holder Weldment			
44390001	65, 67, 69		
Steam Coil			
H96382023P	73, 75		
Steam Coil Filter			
H96382106	73, 75		

T

Temperature Knob	
44104601	17
Temperature Selector Switch	
D511711	17

N/A items do not appear in index.

Temperature Selector Switch Bracket 70391701	17
Temperature Sensor Assembly B12308601	45
Terminal Block 430642	91, 93, 97
Terminal Block Shield 70333001	97
Thermistor M414704	45
44064701	31, 45
Thermistor Bracket Assembly 44051301	45
Thermostat H8900530H	57, 61
M413988	65, 67
44232601	57
44236501	65, 69
44236601	65, 67, 69
44237401	57, 61
Thermostat Cover M414477	65, 67, 69
Time Delay Interlock Kit 44342701	97
Top Access Panel 44028201DG	35
Top Access Panel Gusset 44028201LG	35
44028201*	35
44028202DG	35
44028202LG	35
44028202*	35
Top Plate 44226301	85
Transformer F8401301	93, 97
M414228P	91, 93, 97
M414229P	91, 93, 97
M414230P	91, 93
M414312P	91, 93
44074401	91, 93
Trunnion Assembly 44055501	47
44055502	47

U

Union H86000031	67
USB Gateway Kit NK330	29
USB IR Interface Kit 203346	25, 29

V

Valve F8322901P	77
F8322906P	77
Valve Coil F8514801	77

Valve Kit F8521701	77
Valve Rebuild Kit F8379502	77
Valve Replacement Kit M4904P3	67
M4905P3	67
M4906P3	67
M4907P3	67
Vent Elbow H87494019	45
Vent Pipe M411185	45
M411187	45

W

Washer M400013	53, 57, 59, 61, 73
M400014	51, 53, 57, 59, 61
M400015	49, 51, 53, 59
M400080	53, 57, 59, 61
M400081	51, 57, 59
M405535	41
03815	15, 17, 19, 25, 29
44238902	55
56552	57, 59, 61
70261401	47, 49, 51, 53, 59
70409301	37
800465	33, 73
Water Hose F200116	31
Wire Label 70218701	83, 85
70218801	83
70219001	83
Wireless Network Kit NK309	29

N/A items do not appear in index.

