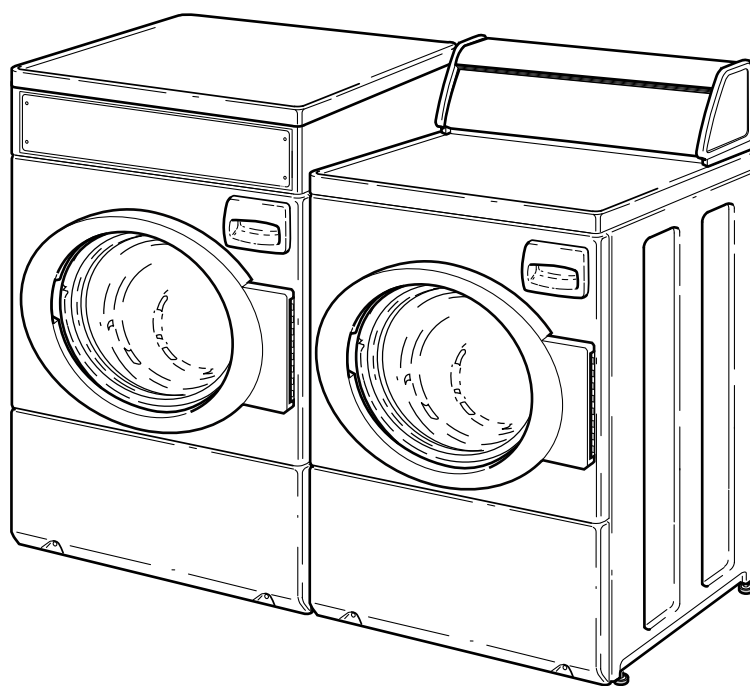


# Homestyle Frontload Washers

Refer to Page 3 for Model Numbers



FLW1536C\_802845



# Table of Contents

Title	Page
Parts Ordering Information.....	2
Serial Plate Location .....	2
Model Identification .....	3
Control Panel and Controls.....	4
Control Cabinet and Controls.....	6
Control Cabinet, Top and Controls (Drawing 1 of 2).....	8
Control Cabinet, Top and Controls (Drawing 2 of 2).....	10
Graphic Panel, Control Support Panel and Controls .....	12
Top and Hood Back Panel .....	14
Door Assembly.....	16
Front Panel and Door Seal .....	18
Dispenser Assembly and Supply Injection Hoses.....	20
Dispenser Assembly .....	22
Mixing Valve, Fill Hose and Valve-to-Dispenser Hose.....	24
Outer Tub, Front and Clamp Ring.....	26
Heating Element .....	28
Inner Basket, Trunnion, Bearing Housing and Pulley .....	30
Motor and Belt.....	32
Drain Hose and Pump.....	34
Base, Side Panels and Rear Panel.....	36
Junction Box .....	38
Junction Box and Power Cord .....	40
Special Tools .....	42
Labels .....	44
Shipping Materials .....	46
Wire Ties, Clips and Lead-In Cord.....	48
Wire Harnesses and Wires (Drawing 1 of 2).....	50
Wire Harnesses and Wires (Drawing 2 of 2).....	52
Parts Index.....	55

© Copyright 2020, Alliance Laundry Systems LLC

All rights reserved. No part of the contents of this book may be reproduced or transmitted in any form or by any means without the expressed written consent of the publisher.

## Parts Ordering Information

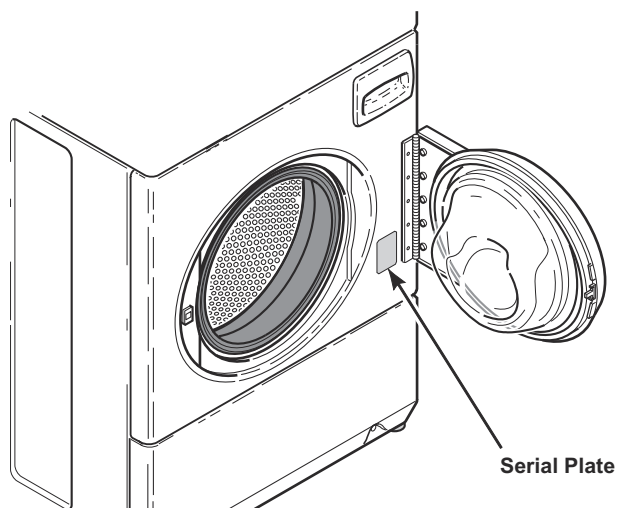
If literature or replacement parts are required, contact the source from whom the machine was purchased or contact Alliance Laundry Systems at (920) 748-3950 for the name and address of the nearest authorized parts distributor.

For technical assistance, call the number listed below:

(920) 748-3121 Ripon, Wisconsin

## Serial Plate Location

When calling or writing about your product, be sure to mention model and serial numbers. Model and serial numbers are located on serial plate(s) as shown.



FLW2123N\_802845

## Model Identification

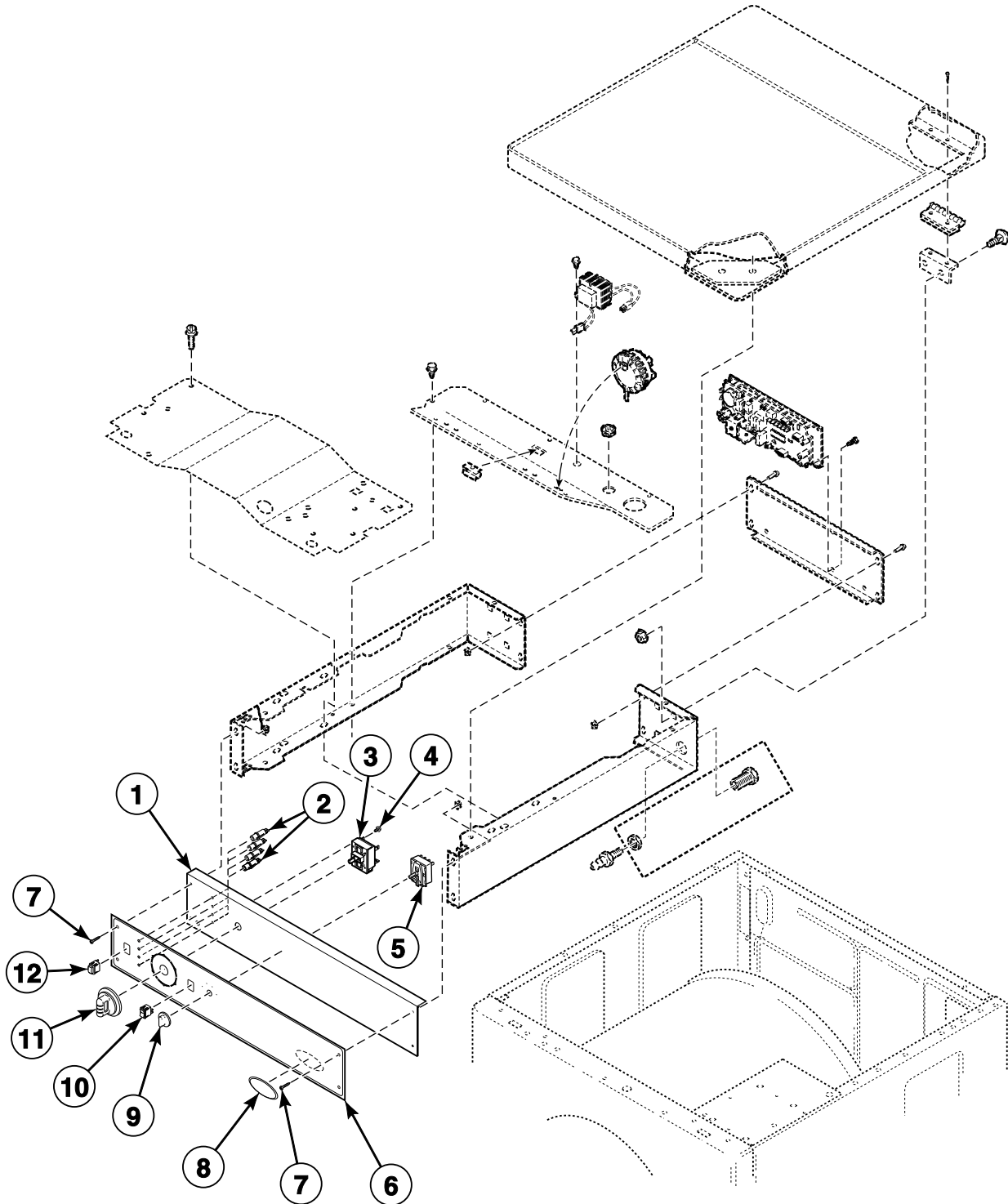
Information in this manual is applicable to these washer models:

AFN50FSP301AW01	LFNA0FSP111TW01
AFN51FSP111FN01	LFNA0RSP111TW01
AFN51FSP111TN03	LFN50FSP081JW01
AFN51FSP301AN01	LFN50RSP301NW22
AFN51FSP301NN22	LTKA5A*N3050
AFN51FSP541RN01	LTSA0A*N
ATZA0A*N1102	LTSA0A*N1127
ATZA5A*N1102	LTSA5A*N
BFN5SFSP111CW01	LTSA5A*N3000
BFN5SFSP111TW01	LTZA0A*N1102
CFN50FSP111CW01	UFN50FSP111TW08
CFN50RSP111CW01	ZFN50FSP111CW01
CTZA0A*N1102	ZFN50RSP111CW01
FFN50RSP301NW10	ZFN51FSP111CN01
FTSA0A*N	
FTSA0A*N3000	
FTSA0A*N3050	
FTSA0A*N3051	
FTSA0A*N3300	
FTSA1A*N	
FTUA1A*N	
FTUA1A*N1102	
FTZA1A*N1102	

\* Add Letter To Designate Color. Q - Bisque W - White

# Control Panel and Controls

Models BFN5SFSP111CW01, BFN5SFSP111TW01, CFN50FSP111CW01, CTZA0A\*N1102, FTSA0A\*N,  
FTSA0A\*N3000, FTSA0A\*N3050, FTSA0A\*N3051, FTSA0A\*N3300, FTSA1A\*N, FTUA1A\*N,  
FTUA1A\*N1102, FTZA1A\*N1102, LFNA0FSP111TW01, LFN50FSP081JW01 and UFN50FSP111TW08



FLW907P\_802845

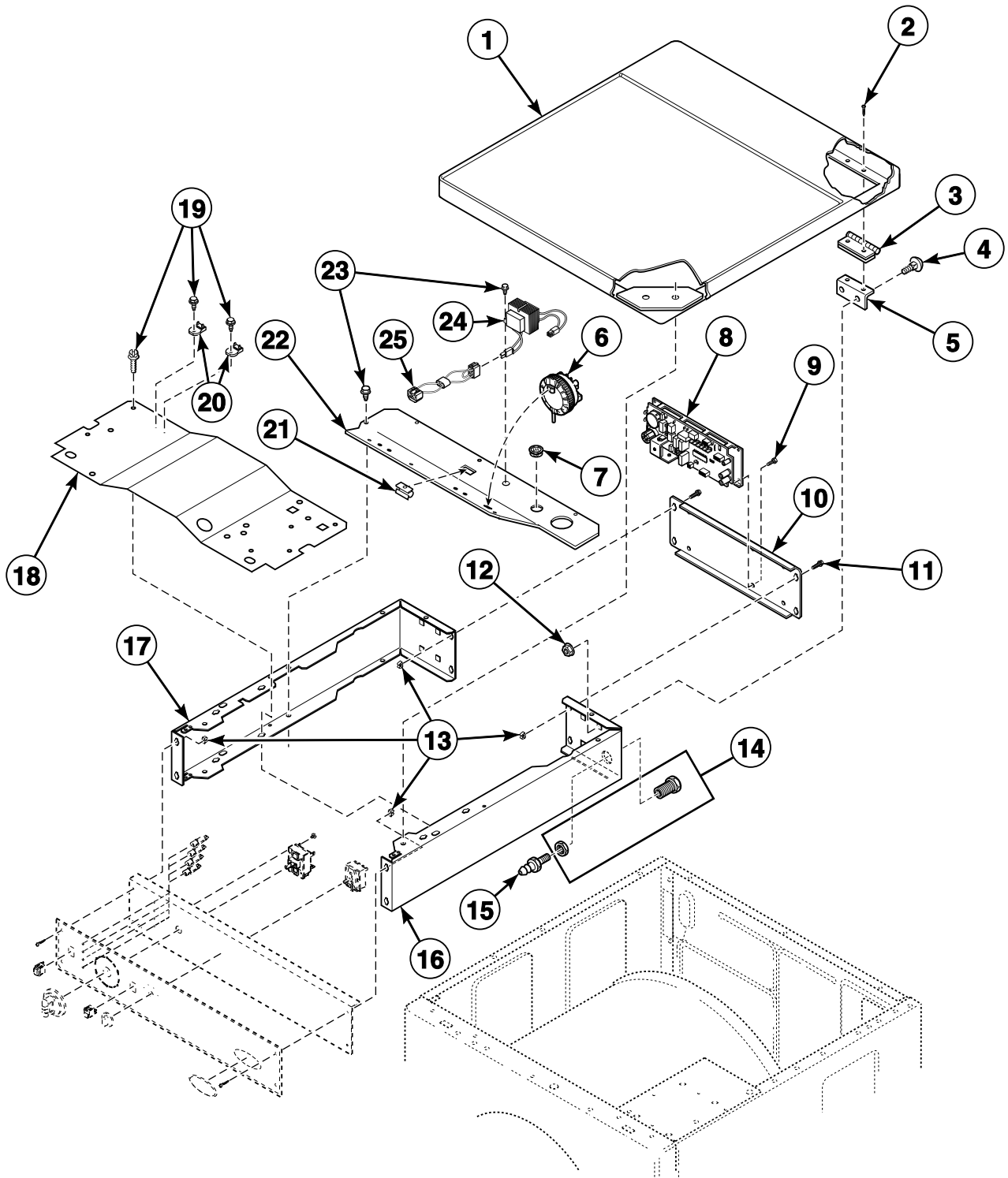
## Control Panel and Controls

REF	PART NO.	DESCRIPTION	COMMENTS
1	802045W	Control Panel Assembly	Models CFN50FSP111CW01 and CTZA0A*N1102
	801377W	Control Panel Assembly	All other models
2	801431	Light	
3	801240	Cycle Switch	
4	D501086	Screw	
5	35115	Temperature Switch	Model LFNA0FSP111TW01
	687542	Temperature Switch	All other models
6	802766	Graphic Overlay	Model CTZA0A*N1102
	801849	Overlay	Model CFN50FSP111CW01
	803185	Graphic Overlay	Model LFNA0FSP111TW01
	801141	Graphic Overlay	All other models
7	800930	Screw	
8	800921	Domed Label	Models FTSA0A*N, FTSA0A*N3000, FTSA0A*N3050, FTSA0A*N3051, FTSA0A*N3300, FTSA1A*N, LFNA0FSP111TW01 and LFN50FSP081JW01
	800922	Domed Label	Model FTZA1A*N1102
	800923	Domed Label	Models FTUA1A*N, FTUA1A*N1102 and UFN50FSP111TW08
	202128	Domed Label	Models BFN5SFSP111CW01 and BFN5SFSP111TW01
9	36701W	Knob Assembly	White
	36701Q	Knob Assembly	Bisque
10	38424W	Rocker Switch	White; Extra rinse
	38424Q	Rocker Switch	Bisque; Extra rinse
11	D512117W	Timer Knob Assembly	White
	D512117Q	Timer Knob Assembly	Bisque
12	801434W	Push-to-Start Switch	White
	801434Q	Push-to-Start Switch	Bisque

\* Add Letter To Designate Color. Q - Bisque W - White

# Control Cabinet and Controls

Models BFN5SFSP111CW01, BFN5SFSP111TW01, CFN50FSP111CW01, CTZA0A\*N1102, FTSA0A\*N,  
FTSA0A\*N3000, FTSA0A\*N3050, FTSA0A\*N3051, FTSA0A\*N3300, FTSA1A\*N, FTUA1A\*N,  
FTUA1A\*N1102, FTZA1A\*N1102, LFNA0FSP111TW01, LFN50FSP081JW01 and UFN50FSP111TW08



FLW1683P\_802845



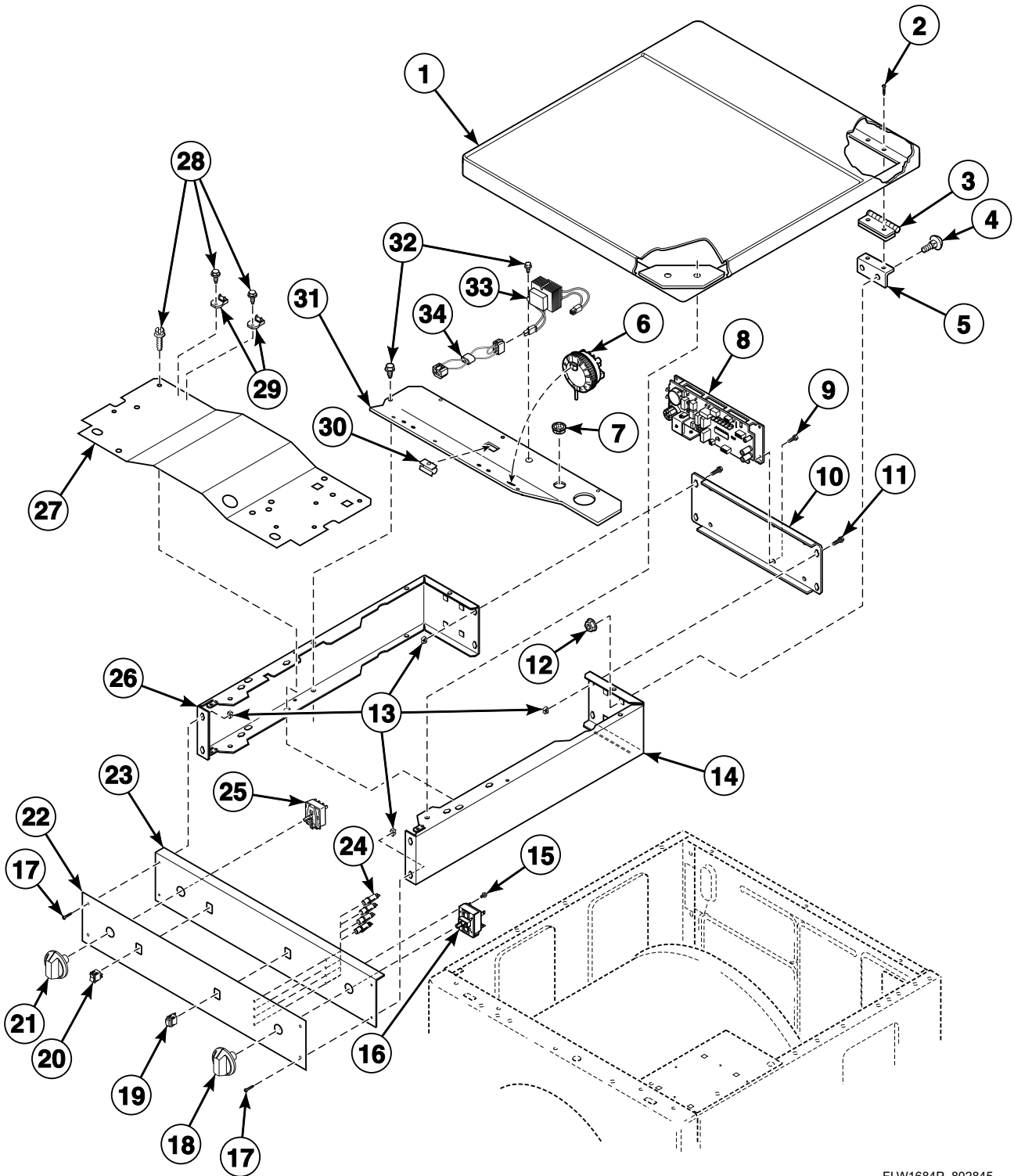
## Control Cabinet and Controls

REF	PART NO.	DESCRIPTION	COMMENTS
1	802247WP	Top and Gusset Assembly	White
	802247QP	Top and Gusset Assembly	Bisque
2	685847	Pop Rivet	
3	D511036	Hinge	
4	29651	Bolt	
5	D504228	Top Mounting Bracket	
6	802299P	Pressure Switch	
7	M402542	Snap Bushing	
8	804670P	Control Assembly	Model LFNA0FSP111TW01
	802523P	Control Assembly	All other models
9	D501524	Screw	
10	801058	Rear Control Cabinet	
11	70240301	Screw	
12	44087201	Nut	
13	70030501	Expansion Clip	
14	801788	Union	Models BFN5SFSP111CW01, BFN5SFSP111TW01, FTSA1A*N, FTUA1A*N, FTUA1A*N1102 and FTZA1A*N1102
15	801789	Connector	Models BFN5SFSP111CW01, BFN5SFSP111TW01, FTSA1A*N, FTUA1A*N, FTUA1A*N1102 and FTZA1A*N1102
16	801787W	Right Control Cabinet	White; Models BFN5SFSP111CW01, BFN5SFSP111TW01, FTSA1A*N, FTUA1A*N, FTUA1A*N1102 and FTZA1A*N1102
	801787Q	Right Control Cabinet	Bisque; Models FTSA1A*N, FTUA1A*N, FTUA1A*N1102 and FTZA1A*N1102
	800915W	Right Control Cabinet Side	White; All other models
	800915Q	Right Control Cabinet Side	Bisque; All other models
17	800900WP	Left Control Cabinet Side	White
	800900QP	Left Control Cabinet Side	Bisque
18	801777	Control Cabinet Bottom	
19	D503688	Screw	
20	210100	Resistor	Models FTSA0A*N3000, FTSA0A*N3050, FTSA0A*N3051 and FTSA0A*N3300
21	36985	Hose Clip	
22	801371	Control Shield	
23	D503661	Screw	
24	210018P	Transformer	Models BFN5SFSP111CW01, BFN5SFSP111TW01, CFN50FSP111CW01, CTZA0A*N1102, FTSA0A*N, FTSA1A*N, FTUA1A*N, FTUA1A*N1102, FTZA1A*N1102, LFNA0FSP111TW01 and UFN50FSP111TW08
	803527P	Transformer	All other models
25	M413507	Jumper Configuration Assembly	Models FTSA0A*N3000, FTSA0A*N3050, FTSA0A*N3051 and FTSA0A*N3300
	M413504	Jumper Harness Assembly	Model LFN50FSP081JW01

\* Add Letter To Designate Color. Q - Bisque W - White

# Control Cabinet, Top and Controls (Drawing 1 of 2)

Models AFN50FSP301AW01 and ZFN50FSP111CW01



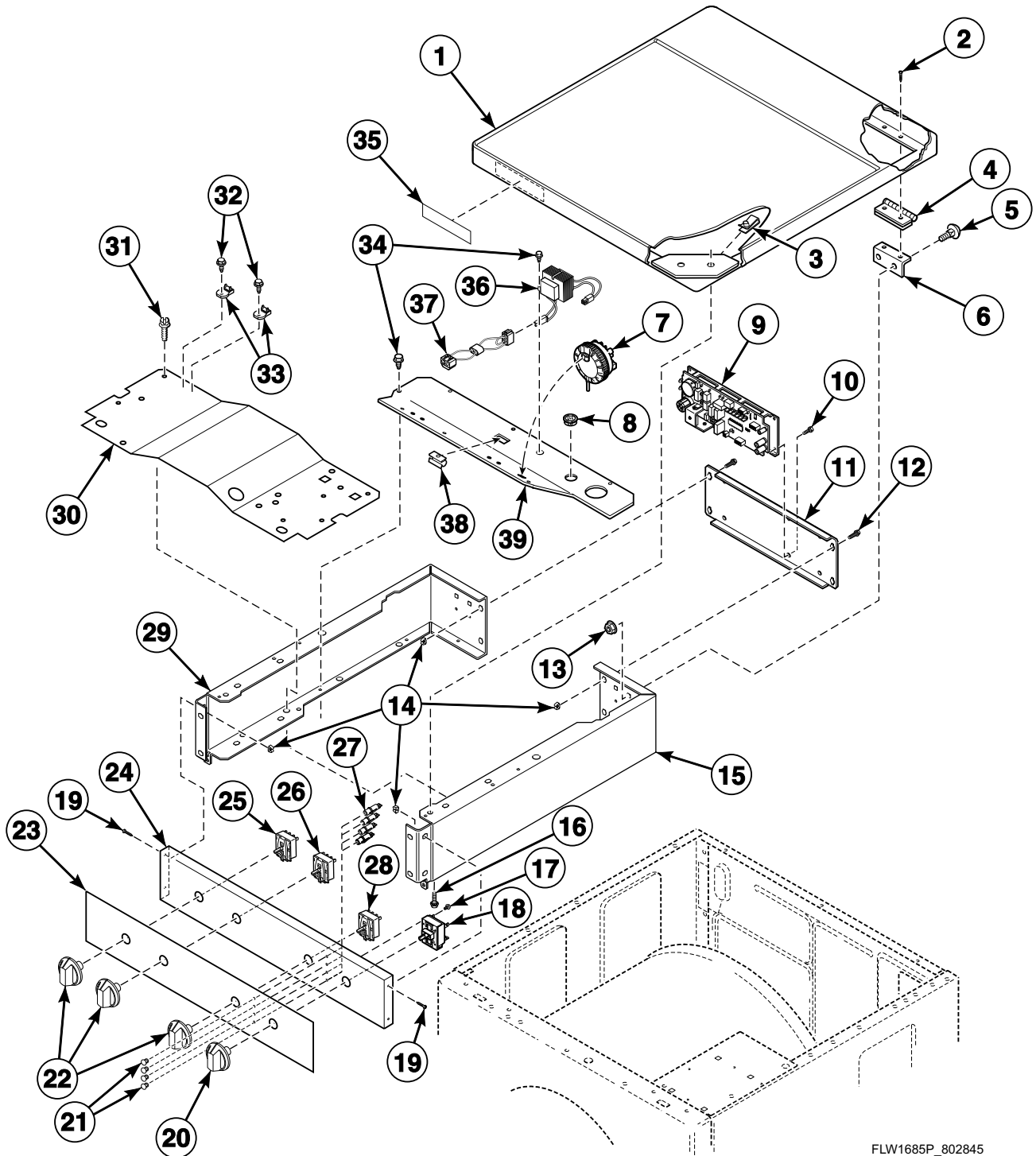
FLW1684P\_802845

## Control Cabinet, Top and Controls (Drawing 1 of 2)

REF	PART NO.	DESCRIPTION	COMMENTS
1	802247WP	Top and Gusset Assembly	
2	685847	Pop Rivet	
3	D511036	Hinge	
4	29651	Bolt	
5	D504228	Top Mounting Bracket	
6	802299P	Pressure Switch	
7	M402542	Snap Bushing	
8	802523P	Control Assembly	Model ZFN50FSP111CW01; Model AFN50FSP301AW01 through Serial Nos. beginning 1207
	804670P	Control Assembly	Model AFN50FSP301AW01 starting Serial Nos. beginning 1207
	804212	Jumper Configuration Assembly	Model AFN50FSP301AW01 starting Serial Nos. beginning 1207; Attaches to H7 on control
9	D501524	Screw	
10	801058	Rear Control Cabinet	
11	70240301	Screw	
12	44087201	Nut	
13	70030501	Expansion Clip	
14	800915W	Right Control Cabinet Side	
15	D501086	Screw	
16	801240	Cycle Switch	
17	800930	Screw	
18	803118P	Knob Assembly	
19	801434W	Push-to-Start Switch	
20	38424W	Rocker Switch	
21	803119P	Control Knob Assembly	
22	802982	Control Overlay	Model ZFN50FSP111CW01
	803361	Graphic Overlay	Model AFN50FSP301AW01
23	802045W	Control Panel Assembly	
24	801431	Light	
25	687542	Temperature Switch	
26	800900WP	Left Control Cabinet Side	
27	801777	Control Cabinet Bottom	
28	D503688	Screw	
29	210100	Resistor	Model AFN50FSP301AW01
30	36985	Hose Clip	
31	801371	Control Shield	
32	D503661	Screw	
33	210018P	Transformer	Model ZFN50FSP111CW01
	803527P	Transformer	Model AFN50FSP301AW01
34	M413507	Jumper Configuration Assembly	Model AFN50FSP301AW01

# Control Cabinet, Top and Controls (Drawing 2 of 2)

Models AFN51FSP111FN01, AFN51FSP111TN03, AFN51FSP301AN01, AFN51FSP301NN22,  
AFN51FSP541RN01 and ZFN51FSP111CN01



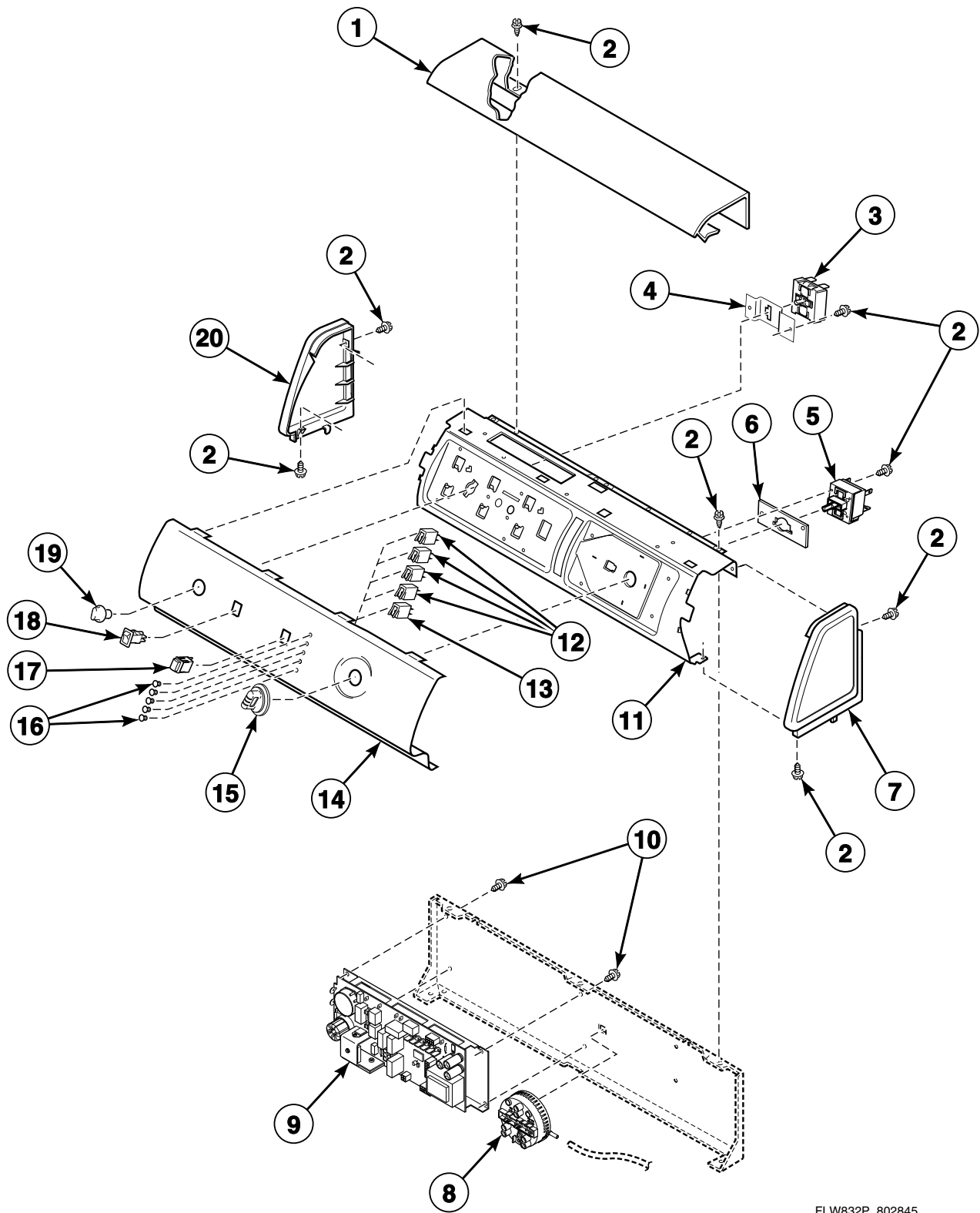
FLW1685P\_802845

## Control Cabinet, Top and Controls (Drawing 2 of 2)

REF	PART NO.	DESCRIPTION	COMMENTS
1	803144P	Top Kit	Includes items 2-6, 13 and 4 each of 22649 Screw and 51236 Nut
2	685847	Pop Rivet	
3	36020	Nut	
4	D511036	Hinge	
5	29651	Bolt	
6	D504228	Top Mounting Bracket	
7	802299P	Pressure Switch	
8	M402542	Snap Bushing	
9	802523P	Control Assembly	Models AFN51FSP111FN01, AFN51FSP111TN03, AFN51FSP301NN22, AFN51FSP541RN01 and ZFN51FSP111CN01; Model AFN51FSP301AN01 through Serial Nos. beginning 1207
	804670P	Control Assembly	Model AFN51FSP301AN01 starting Serial Nos. beginning 1207
	804212	Jumper Configuration Assembly	Model AFN51FSP301AN01 starting Serial Nos. beginning 1207; Attaches to H7 on control
10	D501524	Screw	
11	801058	Rear Control Cabinet	
12	70240301	Screw	
13	44087201	Nut	
14	70030501	Expansion Clip	
15	803141	Control Cabinet	Right; Stainless steel
	D513701DG	Control Cabinet	Right; Gray
16	23008	Screw	
17	D501086	Screw	
18	801240	Cycle Switch	
19	F430956	Screw	
20	803098P	Timer Knob Assembly	
21	803294	Lens	
22	803099P	Control Knob Assembly	
23	803087	Panel	Model ZFN51FSP111CN01
	803067	Panel	All other models
24	803214	Control Panel Assembly	
25	687542	Temperature Switch	
26	803568	Selector Switch	
27	801431	Light	
28	803569	Twist-to-Start Switch	
29	803142	Control Cabinet	Left; Stainless steel
	D513702DG	Control Cabinet	Left; Gray
30	801777	Control Cabinet Bottom	
31	M405188	Screw	Use with stainless steel cabinet
	D503661	Screw	Use with painted cabinet
32	D503688	Screw	Models AFN51FSP301AN01, AFN51FSP301NN22 and AFN51FSP541RN01
33	210100	Resistor	Models AFN51FSP301AN01, AFN51FSP301NN22 and AFN51FSP541RN01
34	D503661	Screw	
35	803101	Badge	Model ZFN51FSP111CN01
	803013	Badge	All other models
36	201375P	Transformer	Model AFN51FSP111FN01
	803527P	Transformer	Models AFN51FSP301AN01, AFN51FSP301NN22 and AFN51FSP541RN01
	210018P	Transformer	All other models
37	M413507	Jumper Configuration Assembly	Models AFN51FSP301AN01, AFN51FSP301NN22 and AFN51FSP541RN01
38	36985	Hose Clip	
39	801371	Control Shield	

# Graphic Panel, Control Support Panel and Controls

Rear Control Models



FLW832P\_802845

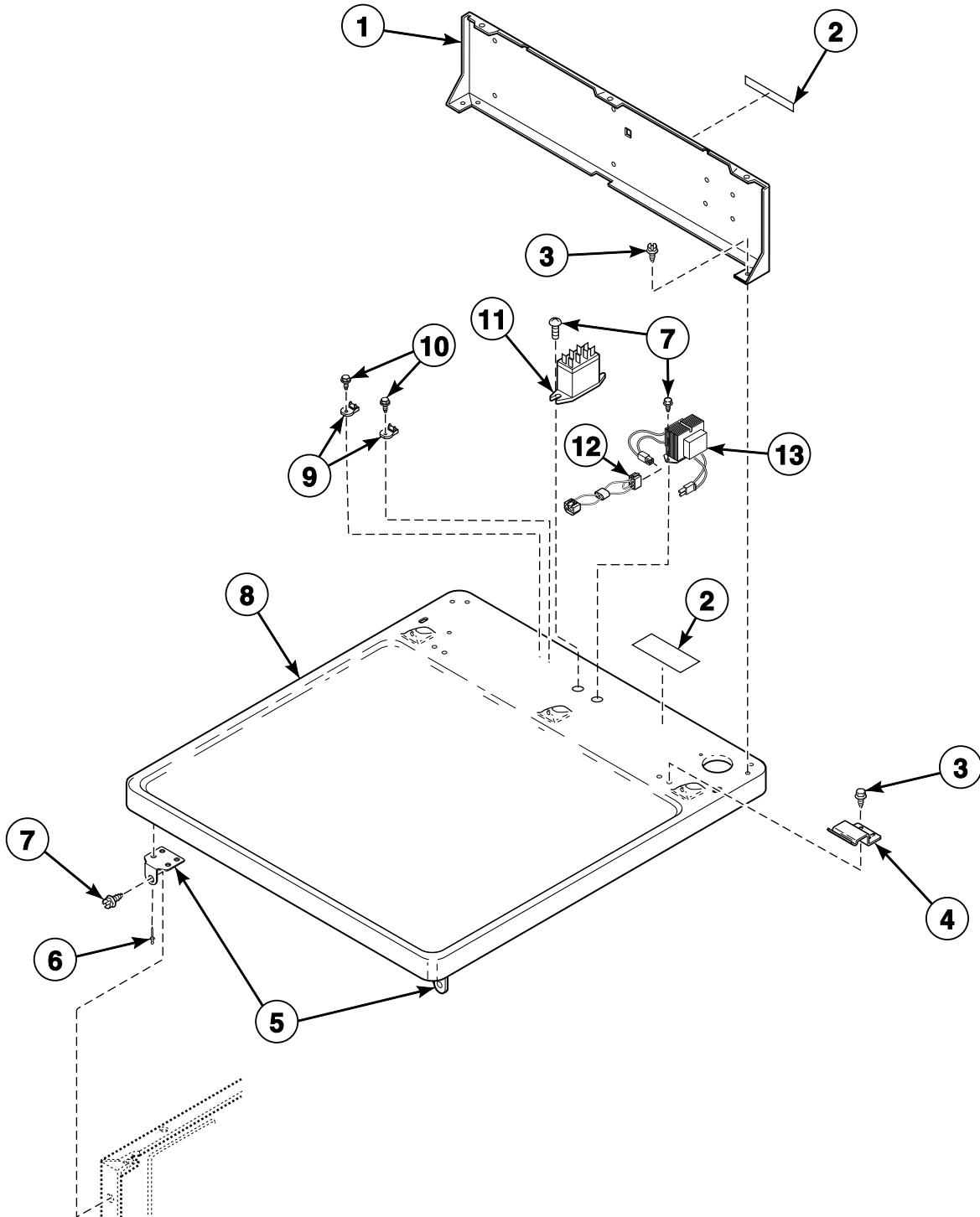
## Graphic Panel, Control Support Panel and Controls

REF	PART NO.	DESCRIPTION	COMMENTS
1	D505808W	Top Cover	White
	D505808Q	Top Cover	Bisque
2	D501086	Screw	
3	35115	Temperature Switch	Model LFNA0RSP111TW01
	687542	Temperature Switch	Models ATZA0A*N1102, CFN50RSP111CW01, FFN50RSP301NW10, LFN50RSP301NW22, LTSA0A*N, LTSA0A*N1127, LTZA0A*N1102 and ZFN50RSP111CW01
	35117	Temperature Switch	Models ATZA5A*N1102, LTKA5A*N3050, LTSA5A*N and LTSA5A*N3000
4	800669	Temperature Switch Bracket	
5	801240	Cycle Switch	
6	801390	Cycle Switch Bracket	
7	D504008WP	End Panel	White; Right
	D504008QP	End Panel	Bisque; Right
8	802299P	Pressure Switch	
9	804670P	Control Assembly	Model LFNA0RSP111TW01
	802523P	Control Assembly	All other models
10	685837	Screw	
11	801388	Control Support Panel	
12	801356	Indicator Light	Green
13	801357	Indicator Light	Red; Models ATZA5A*N1102, LTKA5A*N3050, LTSA5A*N and LTSA5A*N3000
14	801140W	Graphic Panel	White; Models LTSA5A*N and LTSA5A*N3000
	801140Q	Graphic Panel	Bisque; Models LTSA5A*N and LTSA5A*N3000
	801369	Graphic Panel	Model LTZA0A*N1102
	801389W	Graphic Panel	White; Models LFN50RSP301NW22, LTSA0A*N and LTSA0A*N1127
	801389Q	Graphic Panel	Bisque; Models LTSA0A*N and LTSA0A*N1127
	802091W	Graphic Panel	Model LTKA5A*N3050
	802086W	Graphic Panel	Model ATZA0A*N1102
	802087W	Graphic Panel	Model ATZA5A*N1102
	801906W	Graphic Panel	Model CFN50RSP111CW01
	802980W	Control Panel	Model ZFN50RSP111CW01
	803184W	Graphic Panel	Model LFNA0RSP111TW01
	804211W	Control Panel	Model FFN50RSP301NW10
	15	803168P	Knob Assembly
D512117W		Timer Knob Assembly	White; All other models
D512117Q		Timer Knob Assembly	Bisque; All other models
16	801435	Indicator Light Lens	
17	801434W	Push-to-Start Switch	White
	801434Q	Push-to-Start Switch	Bisque
18	38424W	Rocker Switch	White; Extra rinse
	38424Q	Rocker Switch	Bisque; Extra rinse
19	803119P	Control Knob Assembly	Model ZFN50RSP111CW01
	36701W	Knob Assembly	White; All other models
	36701Q	Knob Assembly	Bisque; All other models
20	D504009WP	End Panel	White; Left
	D504009QP	End Panel	Bisque; Left

\* Add Letter To Designate Color. Q - Bisque W - White

# Top and Hood Back Panel

Rear Control Models



FLW1686P\_802845

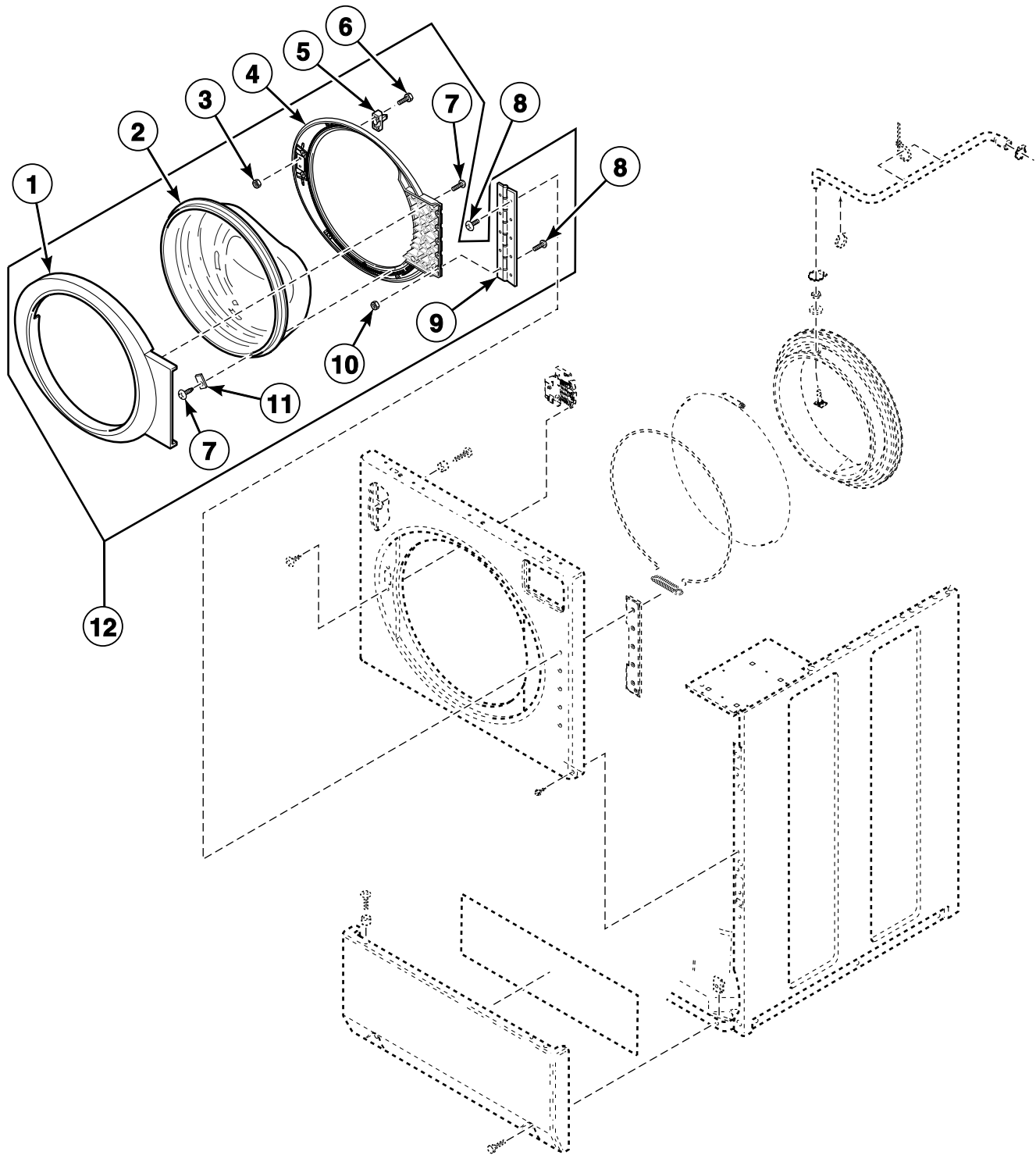


## Top and Hood Back Panel

REF	PART NO.	DESCRIPTION	COMMENTS
1	801060	Hood Back Panel	
2	D500316	Warning Label	Models ATZA0A*N1102, ATZA5A*N1102, CFN50RSP111CW01, LTZA0A*N1102 and ZFN50RSP111CW01
	F8211201	Electrical Shock Label	Models FFN50RSP301NW10, LFN50RSP301NW22 and LTSA5A*N3000
	D505281	Disconnect Power Warning Label	All other models
3	D501086	Screw	
4	35358	Hold-Down Clip	
5	D510146	Bracket	
6	70058501	Pop Rivet	
7	D503661	Screw	
8	D510029WP	Top Panel Kit	
9	210100	Resistor	Models FFN50RSP301NW10, LFN50RSP301NW22, LTKA5A*N3050 and LTSA5A*N3000
10	D503688	Screw	Models FFN50RSP301NW10, LFN50RSP301NW22, LTKA5A*N3050 and LTSA5A*N3000
11	801422	Relay	Model LTSA5A*N3000
12	M413507	Jumper Configuration Assembly	Models FFN50RSP301NW10, LFN50RSP301NW22, LTKA5A*N3050 and LTSA5A*N3000
13	803527P	Transformer	Model LTSA5A*N3000 through Serial No. 1108024565; Includes item 1
	803527P	Transformer	Models FFN50RSP301NW10, LFN50RSP301NW22 and LTKA5A*N3050; Model LTSA5A*N3000 starting Serial No. 1108024566
	210018P	Transformer	All other models

\* Add Letter To Designate Color. Q - Bisque W - White

# Door Assembly



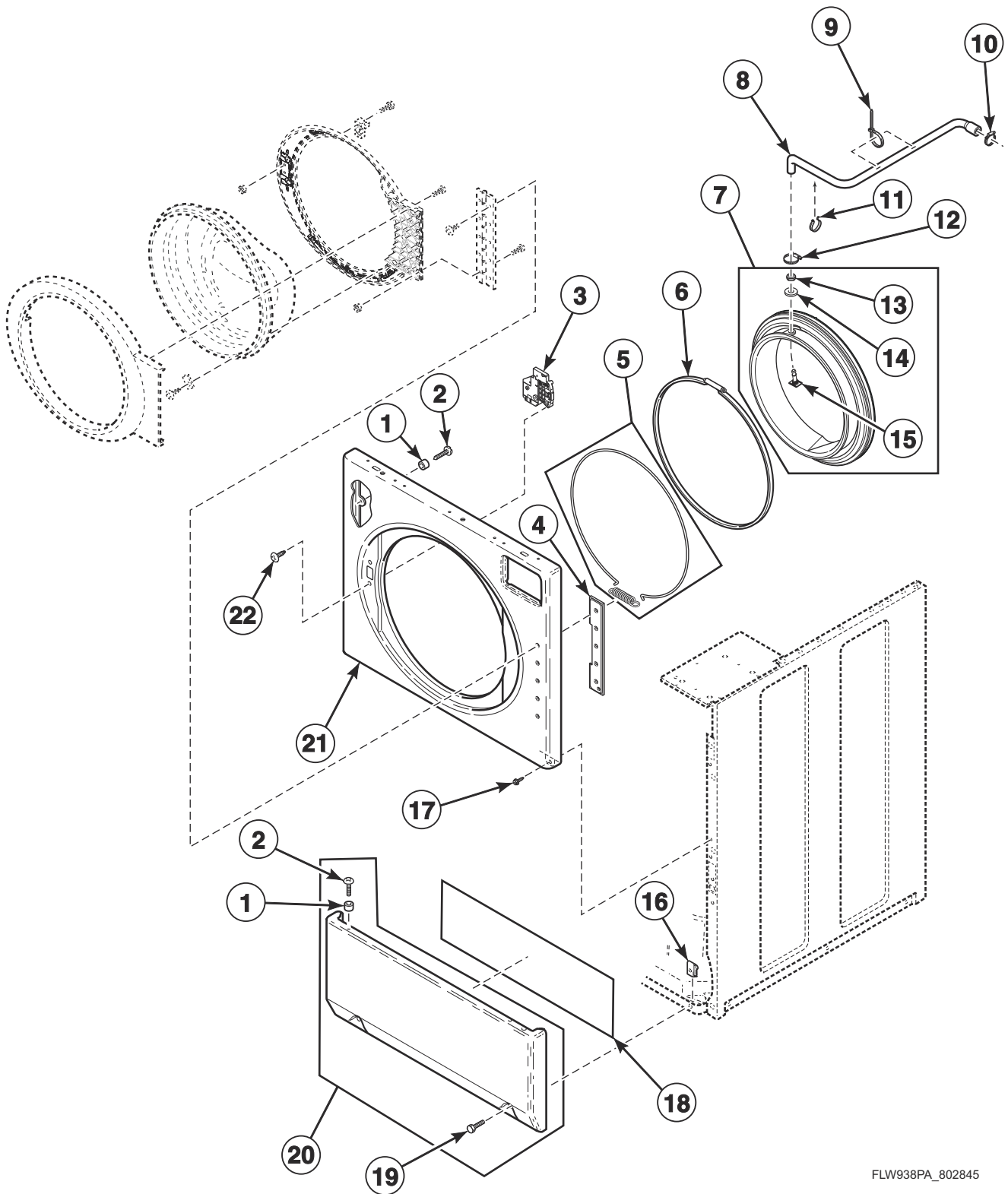
FLW938P\_802845

# Door Assembly

REF	PART NO.	DESCRIPTION	COMMENTS
1	803219	Outer Bezel Assembly	Models AFN51FSP111FN01, AFN51FSP111TN03, AFN51FSP301AN01, AFN51FSP301NN22, AFN51FSP541RN01 and ZFN51FSP111CN01
	802616WP	Outer Bezel Assembly	Models AFN50FSP301AW01, ATZA0A*N1102, ATZA5A*N1102, CFN50FSP111CW01, CFN50RSP111CW01, CTZA0A*N1102, ZFN50FSP111CW01 and ZFN50RSP111CW01; Gray with white hinge cover
	802616QP	Outer Bezel Assembly	Models ATZA0A*N1102, ATZA5A*N1102 and CTZA0A*N1102; Gray with bisque hinge cover
	802313WP	Outer Door Bezel Kit	White; All other models
	802313QP	Outer Door Bezel Kit	Bisque; All other models
2	802695P	Door Glass	
3	685846	Nut	
4	802331P	Inner Door Bezel Kit	Models AFN51FSP111FN01, AFN51FSP111TN03, AFN51FSP301AN01, AFN51FSP301NN22, AFN51FSP541RN01 and ZFN51FSP111CN01
	802307P	Inner Door Bezel Kit	All other models
5	802803	Door Catch Assembly	
6	801993	Screw	
7	800548	Screw	
8	801019	Screw	
9	802934	Door Hinge	
10	23951	Nut	
11	802700	Glass Mounting Clip	
12	803218P	Door Assembly	Models AFN51FSP111FN01, AFN51FSP111TN03, AFN51FSP301AN01, AFN51FSP301NN22, AFN51FSP541RN01 and ZFN51FSP111CN01
	802617WP	Door Assembly	White; Includes items 1-11; Models ATZA0A*N1102, ATZA5A*N1102, CFN50FSP111CW01, CFN50RSP111CW01, CTZA0A*N1102, ZFN50FSP111CW01 and ZFN50RSP111CW01
	802617QP	Door Assembly	Bisque; Includes items 1-11; Models ATZA0A*N1102, ATZA5A*N1102 and CTZA0A*N1102
	804914WP	Door Assembly	White; Includes items 1-11; All other models
	804914QP	Door Assembly	Bisque; Includes items 1-11; All other models

\* Add Letter To Designate Color. Q - Bisque W - White

# Front Panel and Door Seal



FLW938PA\_802845

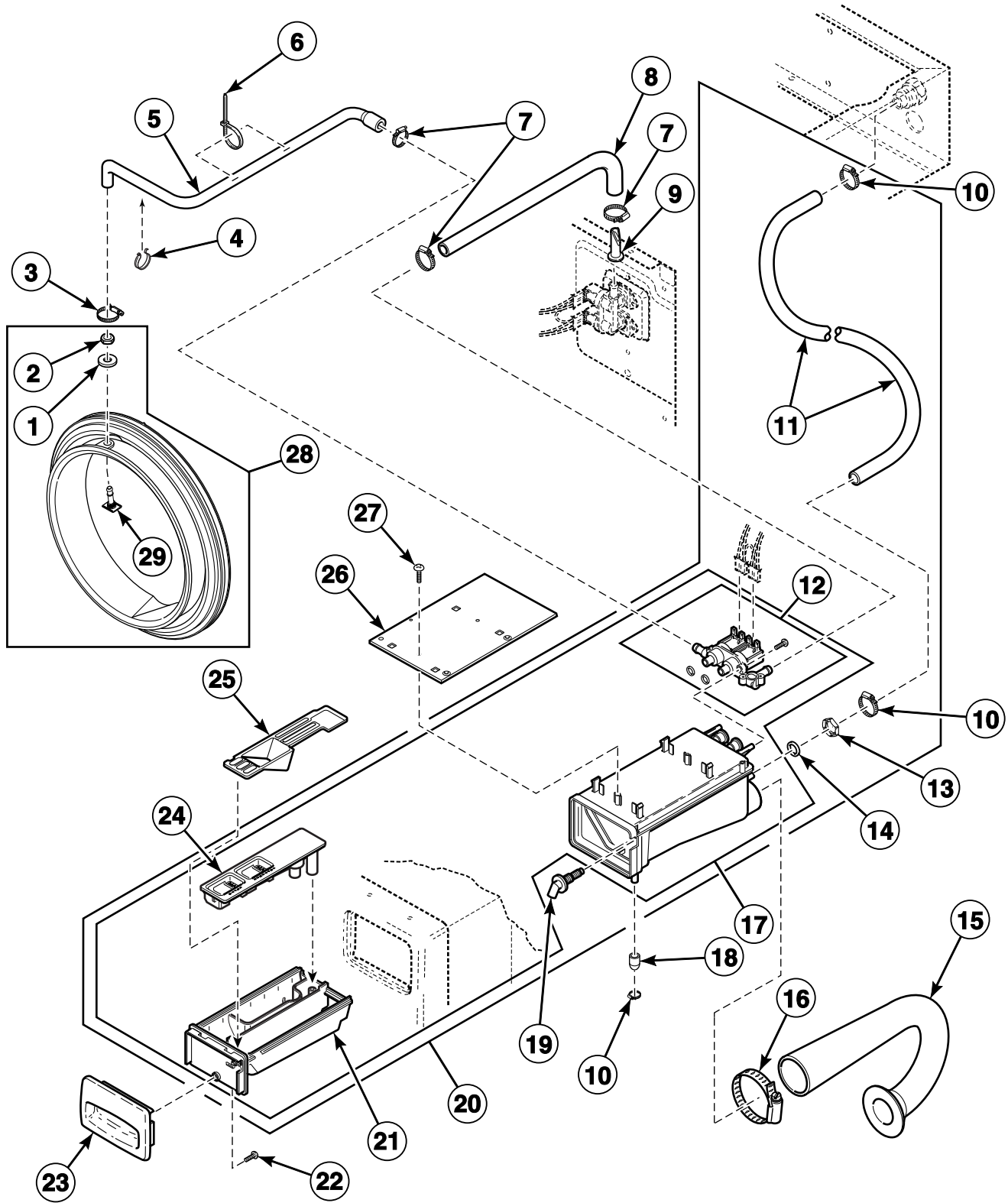
## Front Panel and Door Seal

REF	PART NO.	DESCRIPTION	COMMENTS
1	56079	Panel Locator	
2	D512921	Screw	Use with stainless steel panels
	39733	Screw	Use with painted panels
3	802317P	Door Latch/Switch Assembly	
4	802206	Hinge Plate	
5	806466	Wire Ring and Spring	
6	802281	Hose Clamp	Seal to outer tub front
7	802866P	Door Seal Assembly	Black; Units are produced with black; Includes items 13-15
	802830P	Door Seal Kit	Gray; Optional; Includes items 13-15
8	802256	Dispenser-to-Door Seal Hose	
9	55881	Harness Strap	
10	802164	Hose Clamp	
11	687500	Wire Clip	
12	802698	Hose Clamp	
13	802292	Nut	
14	802293	Washer	
15	802291	Boot Nozzle	
16	36020	Nut	
17	D503661	Screw	
18	36204	Front Panel Pad	1 inch by 26 inches
19	801045	Screw	
20	D514251	Access Panel Assembly	Models AFN51FSP111FN01, AFN51FSP111TN03, AFN51FSP301AN01, AFN51FSP301NN22, AFN51FSP541RN01 and ZFN51FSP111CN01
	D514250WP	Access Panel Assembly	White; All other models
	D514250Q	Access Panel Assembly	Bisque; All other models
21	802288P	Front Panel	Models AFN51FSP111FN01, AFN51FSP111TN03, AFN51FSP301AN01, AFN51FSP301NN22, AFN51FSP541RN01 and ZFN51FSP111CN01
	802277WP	Front Panel	White; All other models
	802277QP	Front Panel	Bisque; All other models
22	800548	Screw	

\* Add Letter To Designate Color. Q - Bisque W - White

# Dispenser Assembly and Supply Injection Hoses

Models BFN5SFSP111CW01, BFN5SFSP111TW01, FTSA1A\*N, FTUA1A\*N, FTUA1A\*N1102 and FTZA1A\*N1102



FLW939P\_802845

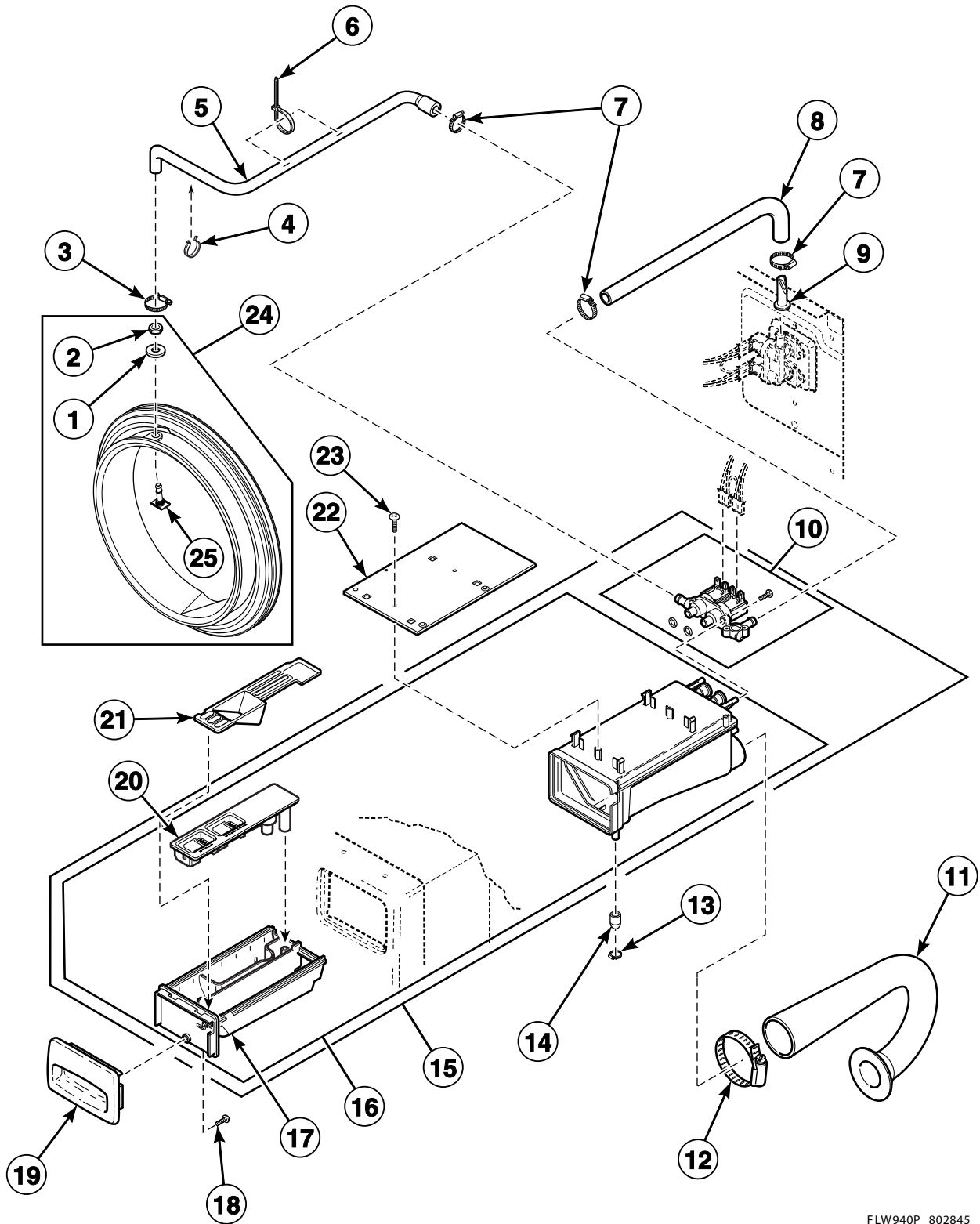
## Dispenser Assembly and Supply Injection Hoses

REF	PART NO.	DESCRIPTION	COMMENTS
1	802293	Washer	
2	802292	Nut	
3	802698	Hose Clamp	
4	687500	Wire Clip	
5	802256	Dispenser-to-Door Seal Hose	
6	55881	Harness Strap	
7	802164	Hose Clamp	
8	801464	Valve-to-Dispenser Inlet Hose	
9	34500	Backflow Preventer	
10	F200206	Hose Clamp	
11	801635	Tubing	
12	685766P	Valve Kit	
13	802292	Nut	
14	801632	O-Ring	
15	800331	Dispenser-to-Tub Hose	
16	685725	Hose Clamp	
17	801630P	Dispenser Assembly	Includes items 12, 21 and 24
18	801746	Cap	
19	F8322001	Injection Nozzle	
20	801662P	Dispenser Assembly	Includes items 10-14, 17, 19 and 24
21	685757P	Dispenser Drawer	
22	800548	Screw	
23	685715WP	Dispenser Drawer Front	White
	685715QP	Dispenser Drawer Front	Bisque
24	685716	Insert	
25	800899	Detergent Cover	
26	801024	Dispenser Plate	
27	801001	Screw	
28	802866P	Door Seal Assembly	Black; Units are produced with black; Includes items 1, 2 and 29
	802830P	Door Seal Kit	Gray; Optional; Includes items 1, 2 and 29
29	802291	Boot Nozzle	

\* Add Letter To Designate Color. Q - Bisque W - White

# Dispenser Assembly

All Models Except BFN5SFSP111CW01, BFN5SFSP111TW01, FTSA1A\*N, FTUA1A\*N, FTUA1A\*N1102 and FTZA1A\*N1102



FLW940P\_802845

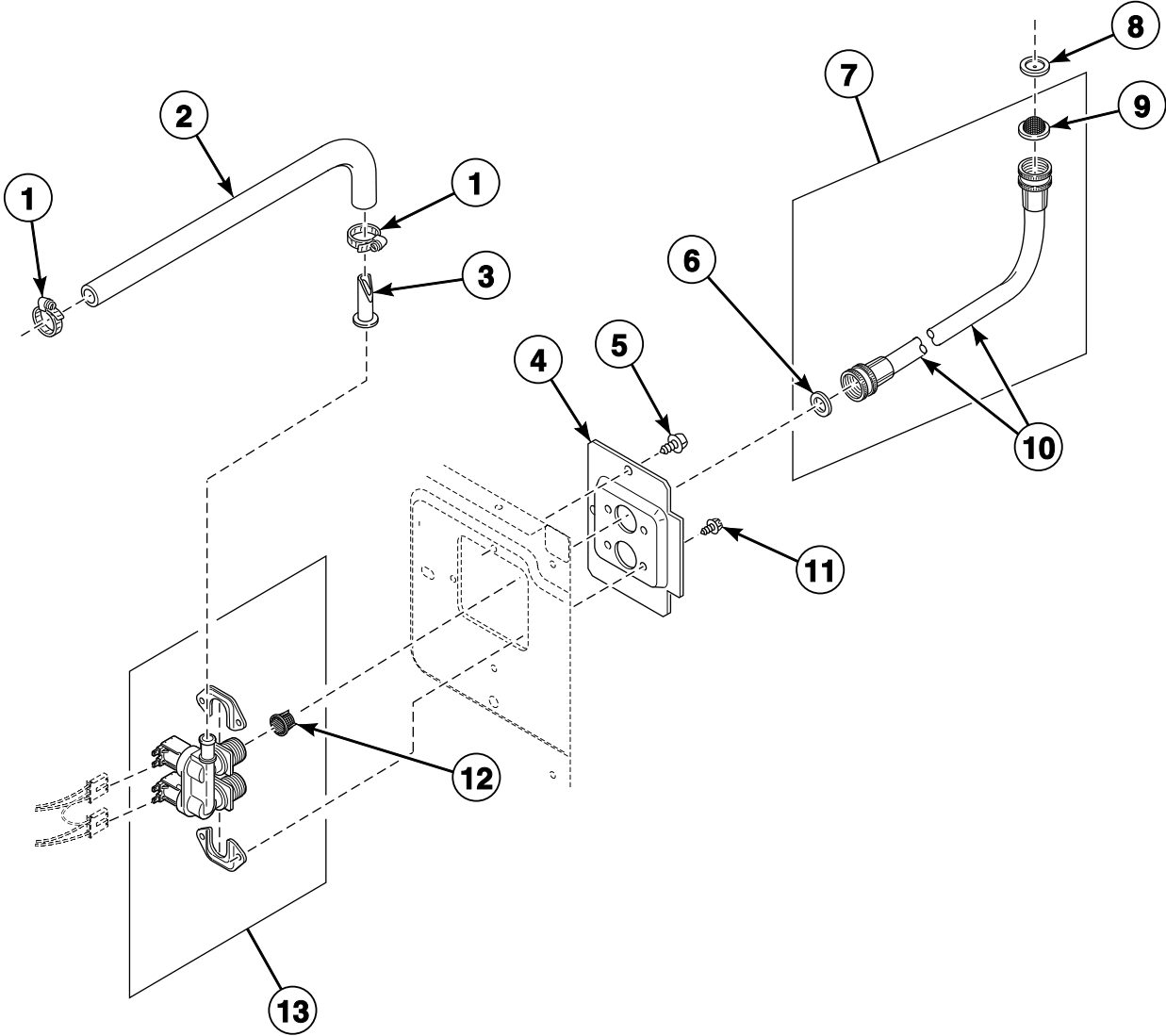


# Dispenser Assembly

REF	PART NO.	DESCRIPTION	COMMENTS
1	802293	Washer	
2	802292	Nut	
3	802698	Hose Clamp	
4	687500	Wire Clip	
5	802256	Dispenser-to-Door Seal Hose	
6	55881	Harness Strap	
7	802164	Hose Clamp	
8	801464	Valve-to-Dispenser Inlet Hose	
9	34500	Backflow Preventer	
10	801836P	Valve Kit	Models AFN50FSP301AW01, AFN51FSP301AN01, AFN51FSP301NN22, AFN51FSP541RN01, FFN50RSP301NW10, FTSA0A*N3000, FTSA0A*N3050, FTSA0A*N3300, LFN50RSP301NW22, LTSA5A*N3050 and LTSA5A*N3000
	685766P	Valve Kit	All other models
11	800331	Dispenser-to-Tub Hose	
12	685725	Hose Clamp	
13	F200206	Hose Clamp	
14	801746	Cap	
15	801090P	Dispenser	Models AFN50FSP301AW01, AFN51FSP301AN01, AFN51FSP301NN22, AFN51FSP541RN01, FFN50RSP301NW10, FTSA0A*N3000, FTSA0A*N3050, FTSA0A*N3300, LFN50RSP301NW22, LTSA5A*N3050 and LTSA5A*N3000; Includes items 10, 16 and 20
	685756P	Dispenser	All other models; Includes items 10, 16 and 20
16	801476P	Dispenser Assembly	Includes items 17 and 20
17	685757P	Dispenser Drawer	
18	800548	Screw	
19	803204P	Dispenser Handle	Models AFN51FSP111FN01, AFN51FSP111TN03, AFN51FSP301AN01, AFN51FSP301NN22, AFN51FSP541RN01 and ZFN51FSP111CN01
	685715WP	Dispenser Drawer Front	White; All other models
	685715QP	Dispenser Drawer Front	Bisque; All other models
20	685716	Insert	
21	800899	Detergent Cover	
22	801024	Dispenser Plate	
23	801001	Screw	
24	802866P	Door Seal Assembly	Black; Units are produced with black; Includes items 1, 2 and 25
	802830P	Door Seal Kit	Gray; Optional; Includes items 1, 2 and 25
25	802291	Boot Nozzle	

\* Add Letter To Designate Color. Q - Bisque W - White

# Mixing Valve, Fill Hose and Valve-to-Dispenser Hose



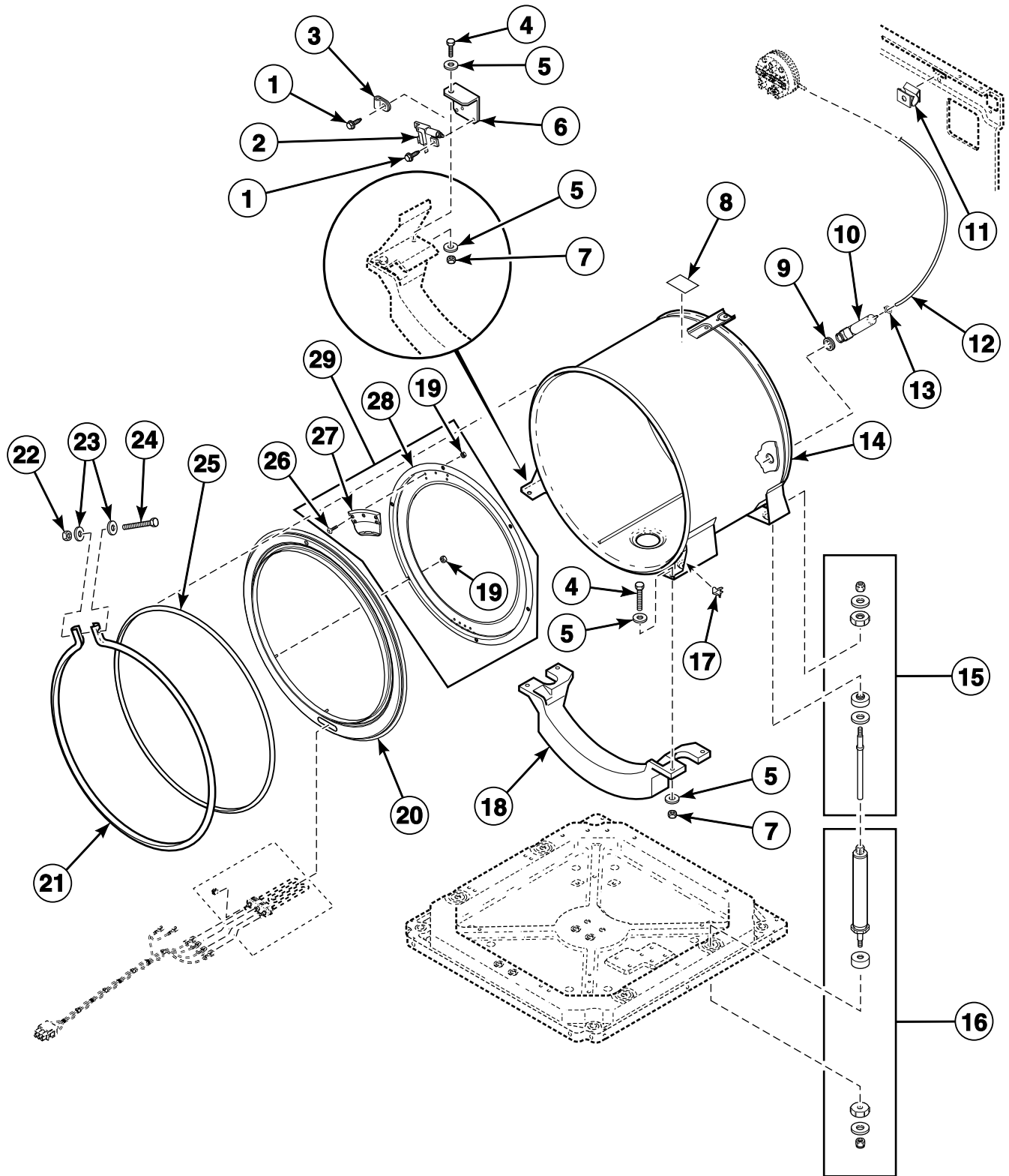
FLW1690P\_802845

## Mixing Valve, Fill Hose and Valve-to-Dispenser Hose

REF	PART NO.	DESCRIPTION	COMMENTS
1	802164	Hose Clamp	
2	801464	Valve-to-Dispenser Inlet Hose	
3	34500	Backflow Preventer	
4	800323	Mixing Valve Plate	
5	D503661	Screw	
6	20290	Washer	
7	F200116	Water Hose	5 feet; Hose is equipped with 2 standard hose couplings; Includes items 6 and 9
	38349P	Fill Hose Kit	5 feet; Hose is equipped with 1 metric and 1 standard hose coupling; Includes 2 of item 6
8	802254	Washer	Flow restrictor; Water pressure reducer; Available for water pressure up to but not exceeding 120 psi
9	803615	Washer	Filter screen
10	35385	Fill Hose	Model LTKA5A*N3050; 4 feet; Hose is equipped with 1 metric and 1 standard hose coupling
	20617	Fill Hose	8 feet; Hose is equipped with 2 standard hose couplings
	20618	Fill Hose	10 feet; Hose is equipped with 2 standard hose couplings
	37380	Fill Hose	8 feet; Hose is equipped with 1 metric and 1 standard hose coupling
	202931	Fill Hose	10 feet; Hose is equipped with 1 metric and 1 standard hose coupling
	202800	Fill Hose	Models AFN50FSP301AW01, AFN51FSP301AN01, FTSA0A*N3050 and FTSA0A*N3051
11	D501086	Screw	
12	802926	Mixing Valve Screen	
13	802222P	Mixing Valve	Models AFN50FSP301AW01, AFN51FSP301AN01, AFN51FSP301NN22, AFN51FSP541RN01, FFN50RSP301NW10, FTSA0A*N3000, FTSA0A*N3050, FTSA0A*N3051, FTSA0A*N3300, LFN50RSP301NW22, LTKA5A*N3050 and LTSA5A*N3000
	802220P	Mixing Valve	All other models

\* Add Letter To Designate Color. Q - Bisque W - White

# Outer Tub, Front and Clamp Ring



FLW1019P\_802845

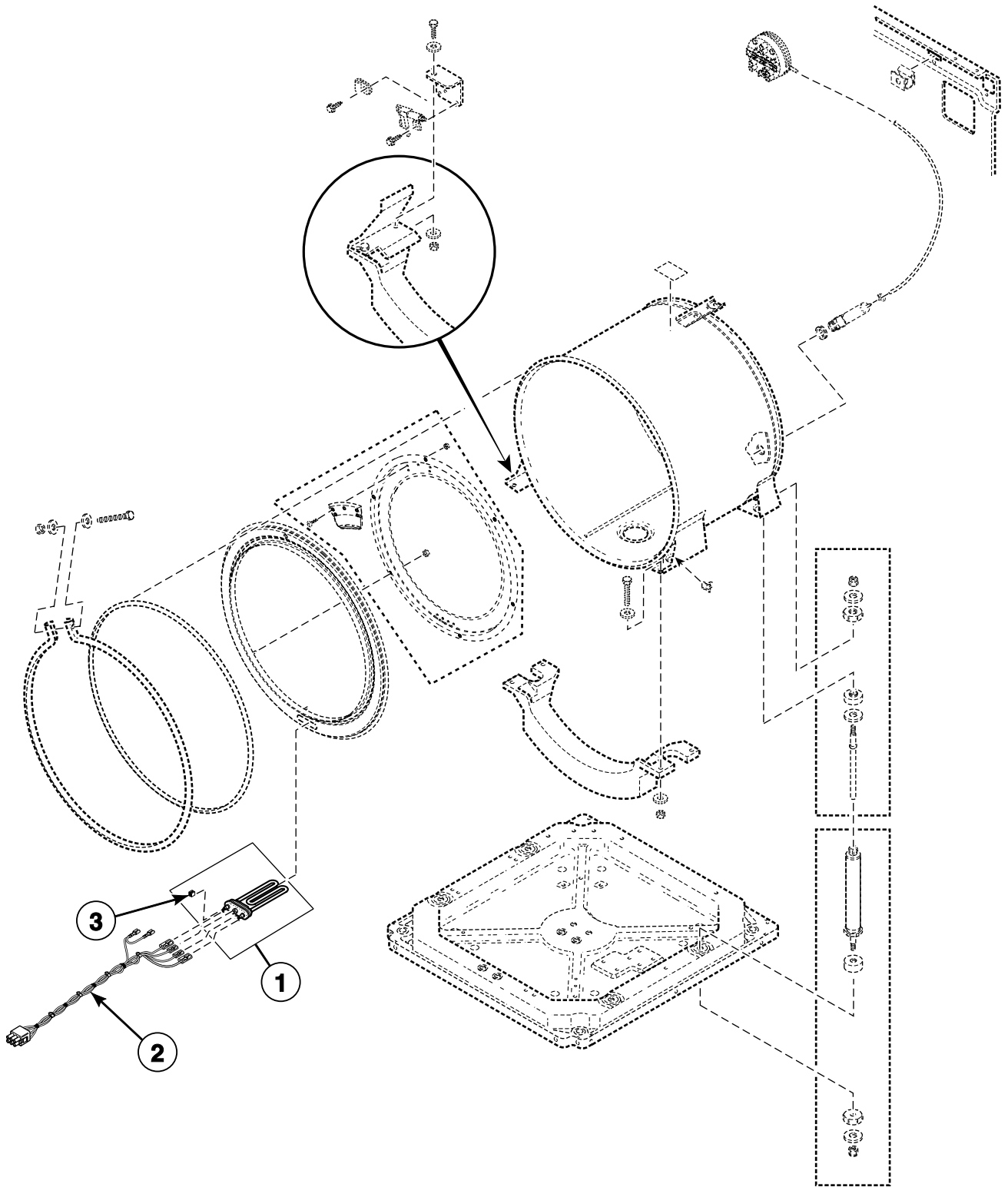
## Outer Tub, Front and Clamp Ring

REF	PART NO.	DESCRIPTION	COMMENTS
1	D503661	Screw	
2	806512	Out-of-Balance Switch Assembly Kit	Models through Serial No. 1201004551
	803415	Out-of-Balance Switch Assembly	Models starting Serial No. 1201004552
3	800811	Wire Clamp	
4	800461	Screw	
5	M400081	Washer	
6	800663	Switch Mounting Bracket	Models through Serial No. 1201004551
	803388	Switch Mounting Bracket	Models starting Serial No. 1201004552
7	800452	Nut	
8	D500314	Warning Label	Models ATZA0A*N1102, ATZA5A*N1102, BFN5SFSP111CW01, CFN50FSP111CW01, CFN50RSP111CW01, CTZA0A*N1102, FTUA1A*N1102, FTZA1A*N1102, LTZA0A*N1102, ZFN50FSP111CW01, ZFN50RSP111CW01 and ZFN51FSP111CN01
	F8211201	Electrical Shock Label	Models AFN51FSP541RN01, FFN50RSP301NW10, FTSA0A*N3000, FTSA0A*N3300, LFN50RSP301NW22 and LTSA5A*N3000
	F8615701	Pinch Warning Label	Models AFN51FSP541RN01, FFN50RSP301NW10, FTSA0A*N3000, FTSA0A*N3300, LFN50RSP301NW22 and LTSA5A*N3000
	D500049	Warning Label	All other models
9	29175	Grommet	
10	30907	Pressure Bulb	
11	36985	Hose Clip	Positioned here on rear control models
12	29214	Tubing	Models ATZA0A*N1102, ATZA5A*N1102, CFN50RSP111CW01, LTKA5A*N3050, LTSA0A*N1127, LTSA5A*N, LTSA5A*N3000 and ZFN50RSP111CW01; Models LFNA0RSP111TW01, LTSA0A*N and LTZA0A*N1102 through Serial No. beginning 1108
	685751	Tubing	Models FFN50RSP301NW10 and LFN50RSP301NW22; Models LFNA0RSP111TW01, LTSA0A*N and LTZA0A*N1102 starting Serial No. beginning 1108
	800648P	Tubing	All other models
13	39282	Hose Clamp	
14	801291	Outer Tub Assembly	Models ATZA5A*N1102, LTKA5A*N3050, LTSA5A*N and LTSA5A*N3000
	801081P	Outer Tub Assembly	All other models
15	800622P	Tub Shock Absorber Kit	
16	802881P	Base Shock Absorber Kit	Must replace all 4
17	00161	Grounding Clip	
18	800205	Ballast Weight	
19	802343	Nut	
20	802259	Tub Front Assembly	Models ATZA5A*N1102, LTKA5A*N3050, LTSA5A*N and LTSA5A*N3000
	802258	Tub Front Assembly	All other models
21	800312	Clamp Ring	
22	F430218	Nut	
23	800457	Washer	
24	800462	Screw	
25	800432P	Tub Front Seal	
26	802596	Screw	
27	804174P	Clothes Guard Deflector	
	804482	Clothes Guard Deflector	Heavy duty
28	803537	Clothes Guard	
29	804560P	Clothes Guard and Deflector Kit	Includes items 7, 19 and 23-28

\* Add Letter To Designate Color. Q - Bisque W - White

# Heating Element

Models ATZA5A\*N1102, LTKA5A\*N3050, LTSA5A\*N and LTSA5A\*N3000



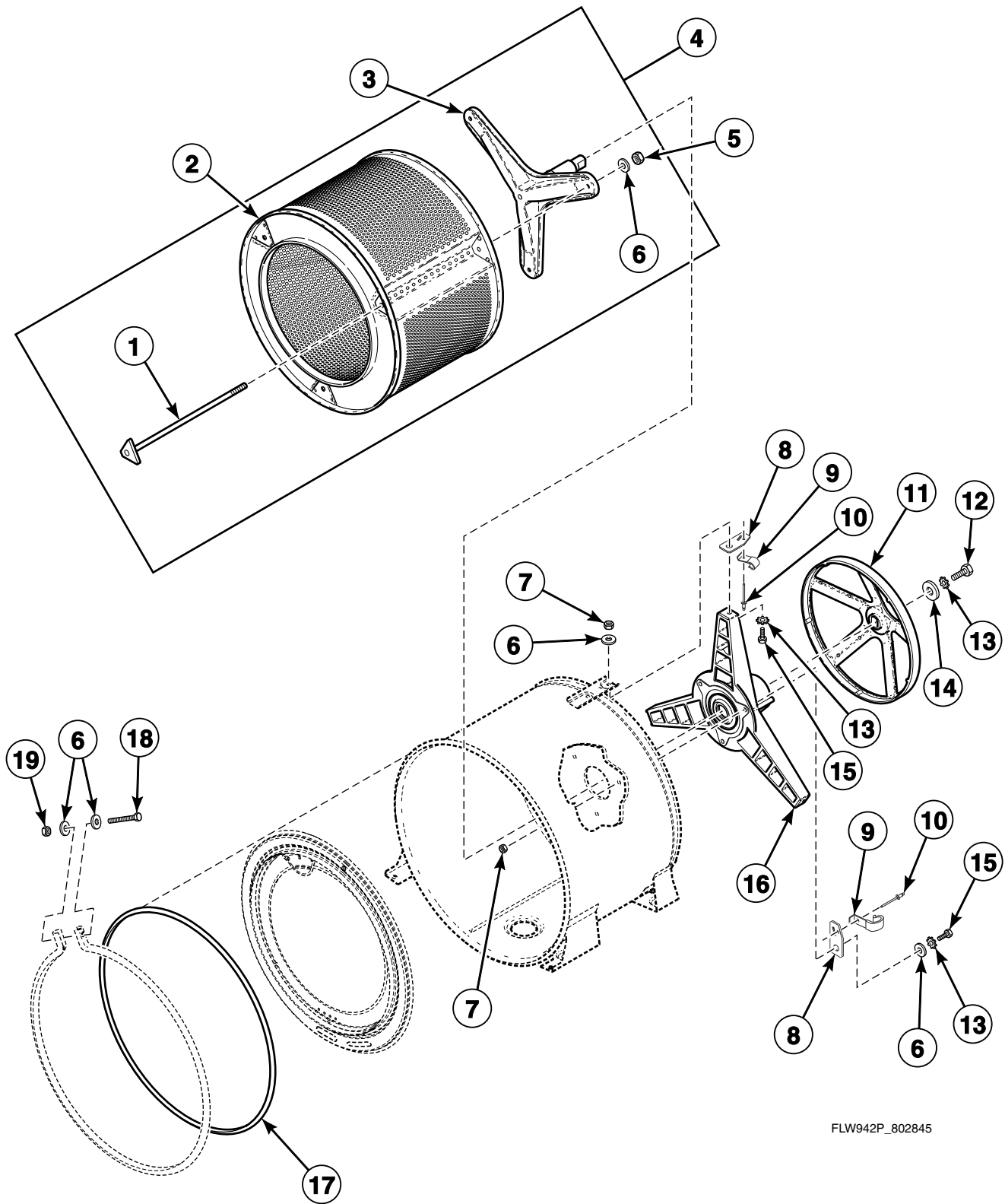
FLW1019PA\_802845

# Heating Element

REF	PART NO.	DESCRIPTION	COMMENTS
1	804777P	Heating Element	Models LTKA5A*N3050 and LTSA5A*N3000; Includes item 3
	801306P	Heating Element Kit	Models ATZA5A*N1102 and LTSA5A*N; Includes item 3
2	802322P	Heater Harness Assembly	Models through Serial No. 1004018614
	803491	Heater Harness Assembly	Models starting Serial No. 1004018615
3	803256	Thermistor	

\* Add Letter To Designate Color. Q - Bisque W - White

# Inner Basket, Trunnion, Bearing Housing and Pulley



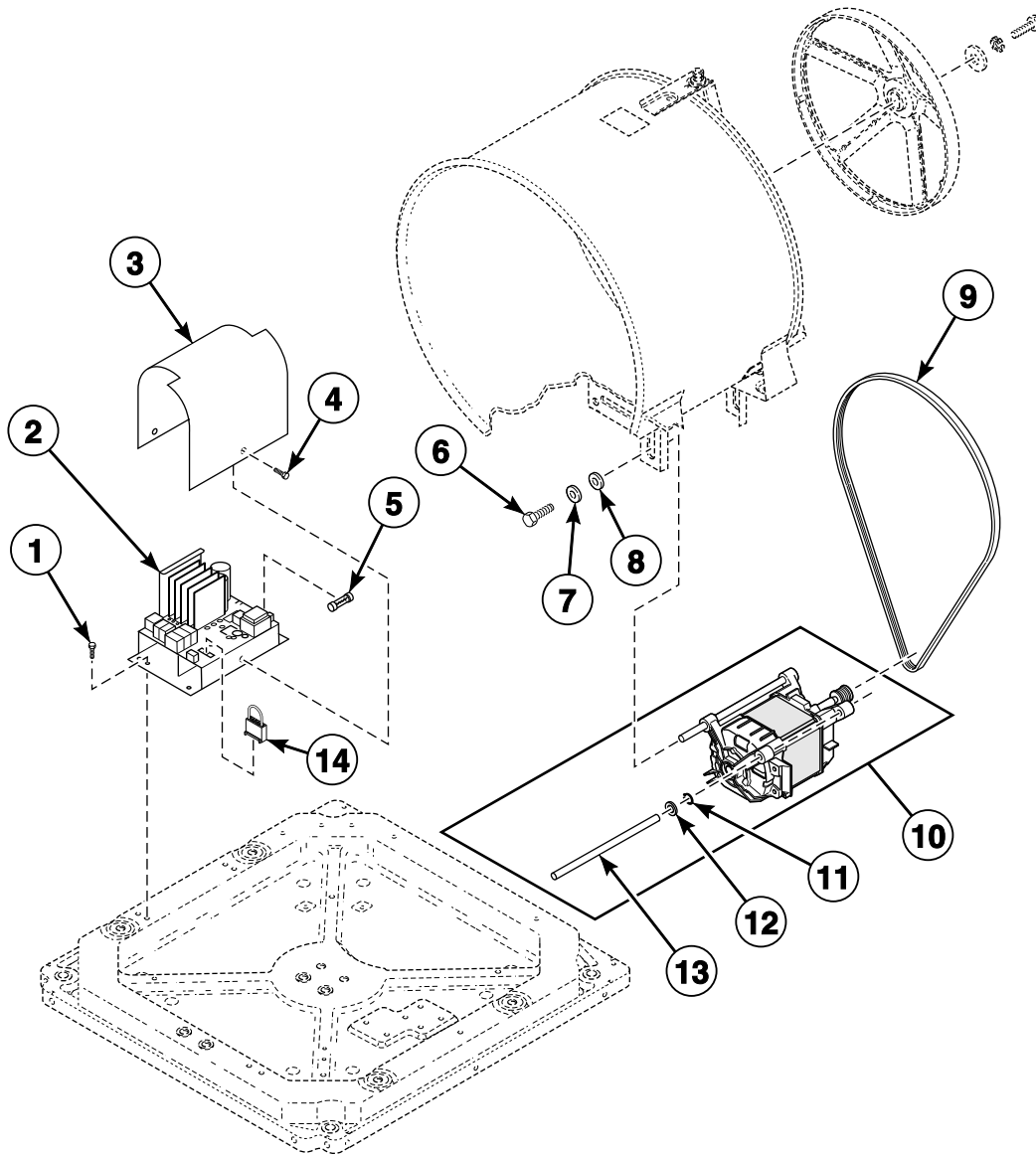
FLW942P\_802845



## Inner Basket, Trunnion, Bearing Housing and Pulley

REF	PART NO.	DESCRIPTION	COMMENTS
	27604P	Anti-Seize Compound	Pulley to inner basket shaft
	838P3	Hardware Kit	Includes (8) of item 6, (7) each of items 7 and 13, (6) of item 15, (1) each of items 12, 14, 17, 18 and 27604P Anti-Seize Compound
	RB160001	Bearing Kit	
<b>1</b>	800666	Tension Rod Assembly	
<b>2</b>	803008P	Inner Basket Assembly	
<b>3</b>	800749P	Trunnion Shaft and Hardware Kit	Includes (3) each of items 1, 5, 6, and 838P3 Hardware Kit
<b>4</b>	804322	Inner Basket Assembly	Model FTSA0A*N3051
	802365P	Inner Basket Assembly	All other models
<b>5</b>	803017	Nut	
<b>6</b>	800457	Washer	
<b>7</b>	800452	Nut	
<b>8</b>	800552	Hose Mounting Plate	
<b>9</b>	800553	Hose Clip	
<b>10</b>	685847	Pop Rivet	
<b>11</b>	800866	Driven Pulley	
<b>12</b>	685831	Screw	Left hand thread
<b>13</b>	M403958	Washer	
<b>14</b>	807679	Washer	
<b>15</b>	M400043	Screw	
<b>16</b>	800428P	Bearing Housing Kit	Includes 838P3 Hardware Kit
<b>17</b>	800432P	Tub Front Seal	
<b>18</b>	800462	Screw	
<b>19</b>	F430218	Nut	

# Motor and Belt



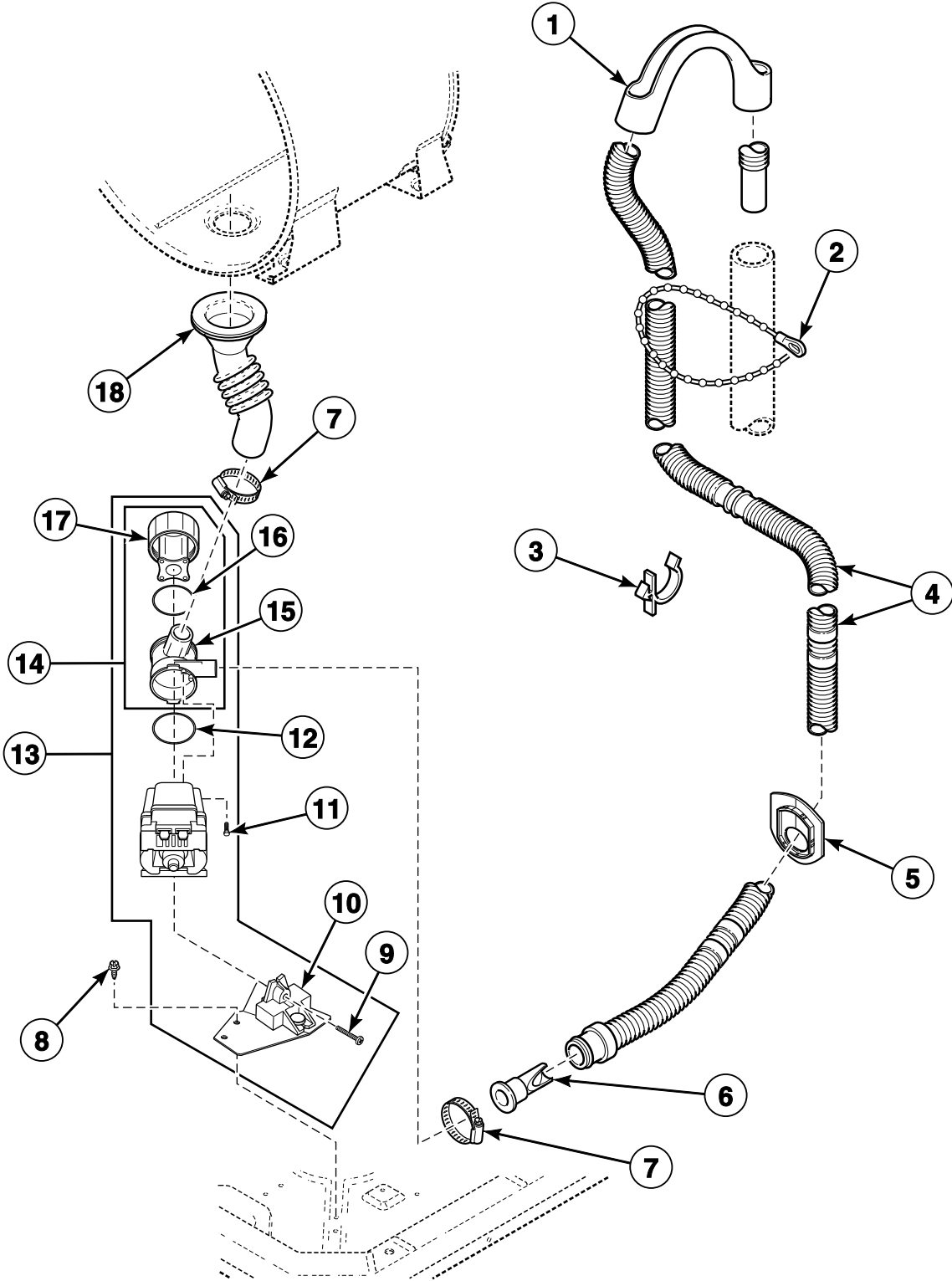
FLW1022P\_802845

## Motor and Belt

REF	PART NO.	DESCRIPTION	COMMENTS
1	D503661	Screw	
2	803255P	Inverter Control Assembly	240 Volt; Models AFN50FSP301AW01, AFN51FSP301AN01, AFN51FSP301NN22, AFN51FSP541RN01, FFN50RSP301NW10, FTSA0A*N3000, FTSA0A*N3050, FTSA0A*N3051, FTSA0A*N3300, LFN50RSP301NW22, LTKA5A*N3050 and LTSA5A*N3000
	803254P	Inverter Control Assembly	120 Volt; All other models
3	804738	Control Shield	Models AFN50FSP301AW01, AFN51FSP301AN01, FTSA0A*N3050 and FTSA0A*N3051
	801061	Control Shield	All other models
4	D501524	Screw	
5	801755	Fuse	
6	M400057	Screw	
7	02834	Washer	
8	M400080	Washer	
9	800319P	Drive Belt	
10	801684P	Motor and Rod Assembly Kit	Includes 2 each of items 11-13 and wire ties
11	23748	Retaining Ring	
12	52549	Washer	
13	801062	Motor Mount Rod	
14	D513316	Jumper Harness	Use to limit spin RPM on inverter controls starting Serial No. 0911014603; 240 Volt; Models AFN50FSP301AW01, AFN51FSP301AN01, AFN51FSP301NN22, AFN51FSP541RN01, FFN50RSP301NW10, FTSA0A*N3000, FTSA0A*N3050, FTSA0A*N3051, FTSA0A*N3300, LFN50RSP301NW22, LTKA5A*N3050 and LTSA5A*N3000
	D513268	Jumper Harness	Use to limit spin RPM on inverter controls starting Serial No. 0911014603; 120 Volt; All other models

\* Add Letter To Designate Color. Q - Bisque W - White

# Drain Hose and Pump



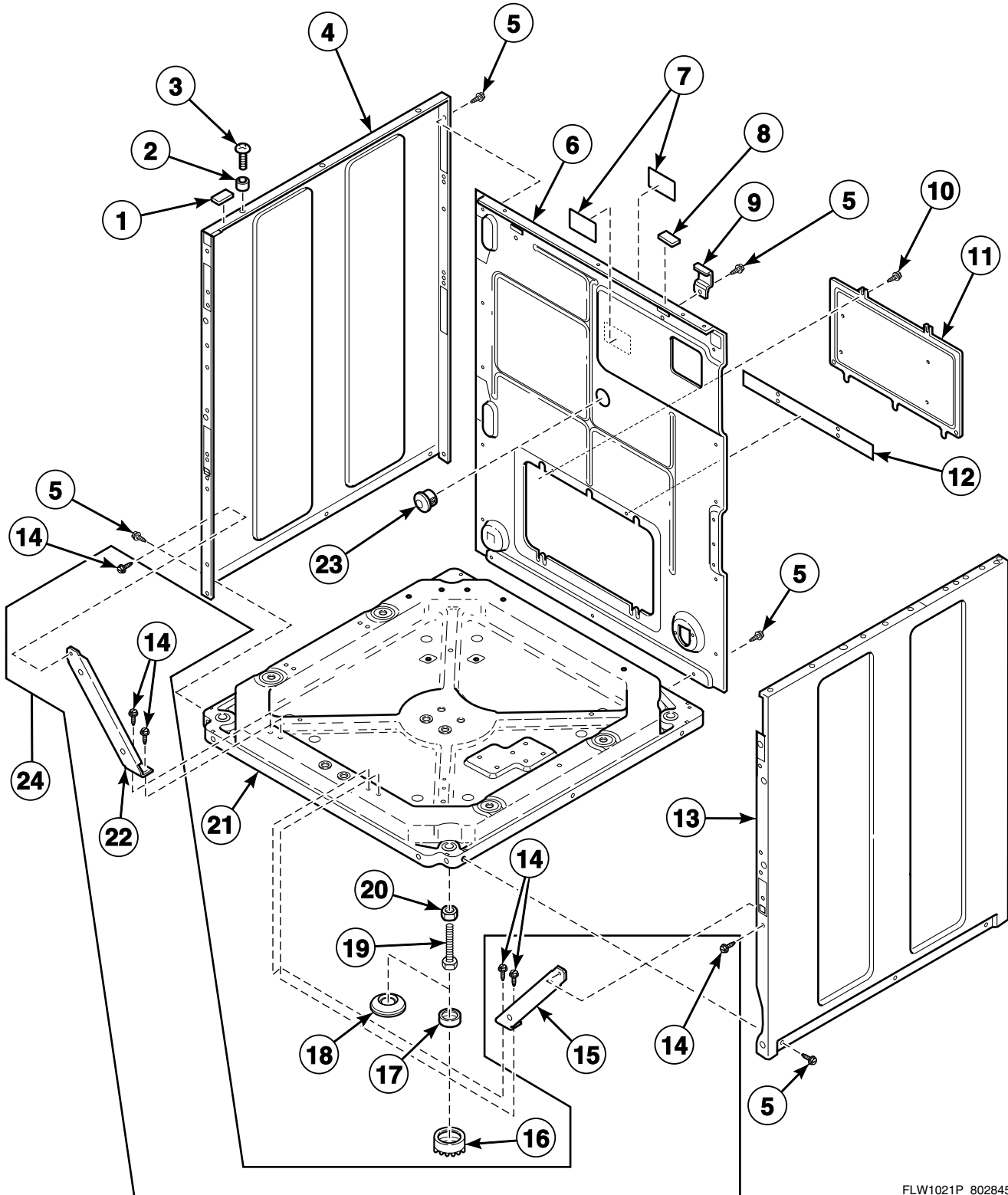
FLW951P\_802845

## Drain Hose and Pump

REF	PART NO.	DESCRIPTION	COMMENTS
1	33615	Drain Hose Sleeve	
2	33489	Standpipe Strap	
3	36014	Retainer Clip	
4	685730	Drain Hose	
5	32219	Strain Relief	
6	800310	Backflow Preventer	
7	F200204	Hose Clamp	
8	D503661	Screw	
9	802430	Screw	
10	802626	Pump Mount Bracket	
11	802431	Screw	
12	802429P	O-Ring	
13	802625P	Drain Pump	Models AFN51FSP541RN01 and FTSA0A*N3300
	802624P	Drain Pump	Models AFN50FSP301AW01, AFN51FSP301AN01, AFN51FSP301NN22, FFN50RSP301NW10, FTSA0A*N3000, FTSA0A*N3050, FTSA0A*N3051, LFN50RSP301NW22, LTKA5A*N3050 and LTSA5A*N3000
	802623P	Drain Pump	All other models
14	802434P	Pump Housing Assembly	Includes items 15-17
15	802428	Pump Housing	
16	802427	Gasket	
17	802426P	Lid Assembly	Includes filter
18	800317	Tub-to-Pump Hose	
	27615P	Sealant	Tub-to-pump hose to outer tub
	985P3	Drain Kit	Includes 803344 Tub-to-Pump Hose with Trap, 90554 Hose Clamp, 803400 Cap and 27615P Sealant
	985P3A	Drain Kit	Includes 803344 Tub-to-Pump Hose with Trap, 90554 Hose Clamp and 803400 Cap

\* Add Letter To Designate Color. Q - Bisque W - White

# Base, Side Panels and Rear Panel



FLW1021P\_802845

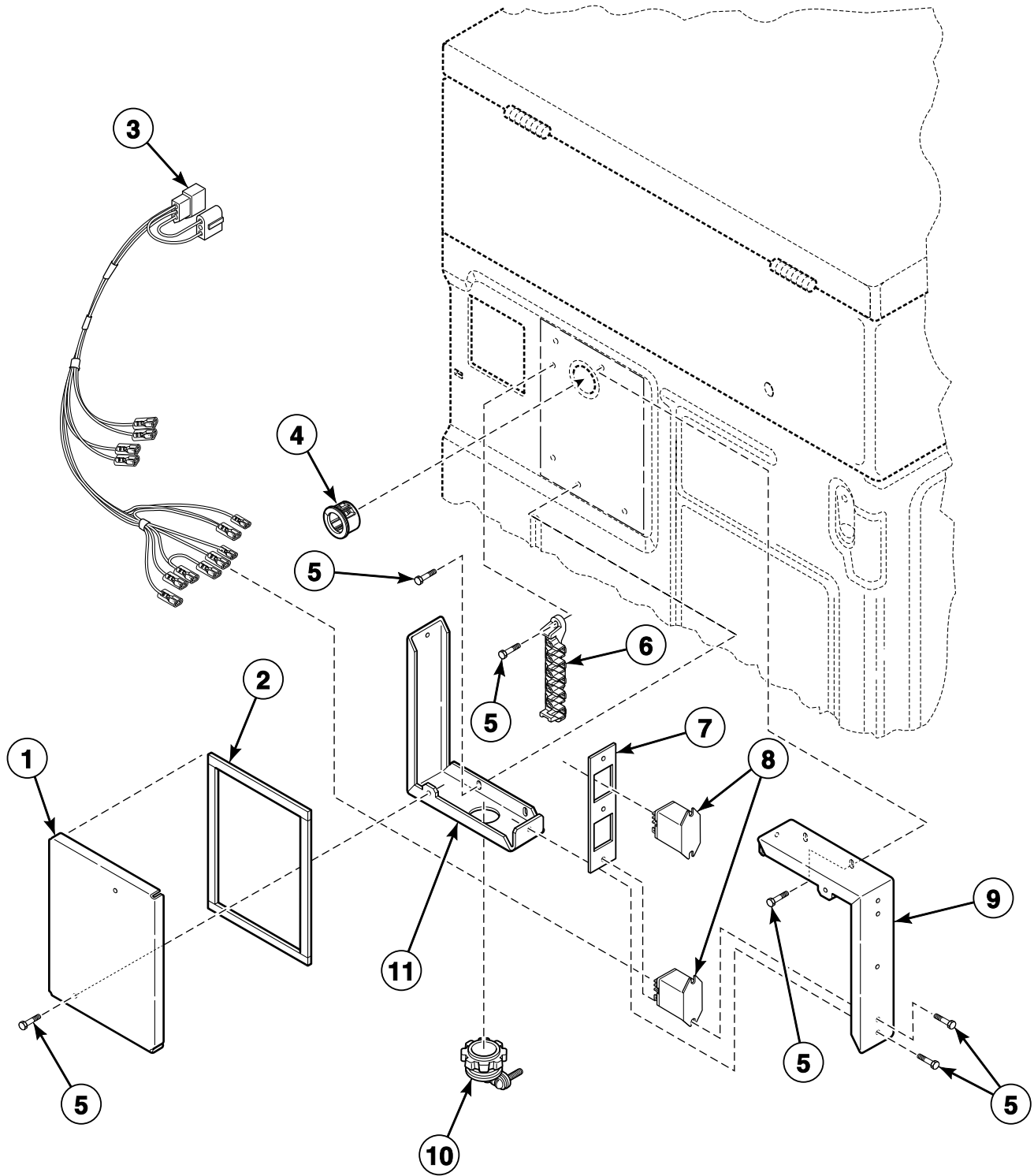
## Base, Side Panels and Rear Panel

REF	PART NO.	DESCRIPTION	COMMENTS
	122P4P	Porcelain Touch-Up Paint	White
	370P4P	Porcelain Touch-Up Paint	Bisque
1	36226	Bumper Pad	
2	56079	Panel Locator	
3	D512921	Screw	Use with stainless steel panels
	39733	Screw	Use with painted panels
4	802525P	Cabinet Side Panel	Left; Stainless steel; Models AFN51FSP111FN01, AFN51FSP111TN03, AFN51FSP301AN01, AFN51FSP301NN22, AFN51FSP541RN01 and ZFN51FSP111CN01
	800004G	Side Panel	Left; Gray; Models AFN51FSP111FN01, AFN51FSP111TN03, AFN51FSP301AN01, AFN51FSP301NN22, AFN51FSP541RN01 and ZFN51FSP111CN01
	800004WP	Cabinet Panel Kit	White; Left; Includes corner gusset with hardware; All other models
	800004QP	Cabinet Panel Kit	Bisque; Left; Includes corner gusset with hardware; All other models
5	D503661	Screw	
6	801629	Rear Panel	Models BFN5SFSP111CW01, BFN5SFSP111TW01, FTSA1A*N, FTUA1A*N, FTUA1A*N1102 and FTZA1A*N1102
	800010P	Rear Panel	All other models
7	685928	Left Hand Thread Label	
8	36226	Bumper Pad	Models ATZA0A*N1102, ATZA5A*N1102, CFN50RSP111CW01, FFN50RSP301NW10, LFNA0RSP111TW01, LFN50RSP301NW22, LTKA5A*N3050, LTSA0A*N, LTSA0A*N1127, LTSA5A*N, LTSA5A*N3000, LTZA0A*N1102 and ZFN50RSP111CW01
9	D510136	Top Hinge	Models ATZA0A*N1102, ATZA5A*N1102, CFN50RSP111CW01, FFN50RSP301NW10, LFNA0RSP111TW01, LFN50RSP301NW22, LTKA5A*N3050, LTSA0A*N, LTSA0A*N1127, LTSA5A*N, LTSA5A*N3000, LTZA0A*N1102 and ZFN50RSP111CW01
10	430497	Screw	
11	800011	Rear Access Panel	
12	801702	Motor Access Hole Edging	
13	802526P	Cabinet Side Panel	Right; Stainless steel; Models AFN51FSP111FN01, AFN51FSP111TN03, AFN51FSP301AN01, AFN51FSP301NN22, AFN51FSP541RN01 and ZFN51FSP111CN01
	800005G	Side Panel	Right; Gray; Models AFN51FSP111FN01, AFN51FSP111TN03, AFN51FSP301AN01, AFN51FSP301NN22, AFN51FSP541RN01 and ZFN51FSP111CN01
	806492	Side Panel Kit	White; Right; Includes 801024 Dispenser Plate with hardware; All other models
	800005QP	Side Panel Kit	Bisque; Right; Includes 801024 Dispenser Plate with hardware; All other models
14	31645	Screw	
15	801492	Cabinet Brace	Right
16	D501855	Rubber Foot	Use to prevent movement on smooth surface floor coverings; Install over two existing front rubber feet (item 15)
17	34318	Rubber Foot	
18	155P3	Anchor	Includes 4 rubber discs with adhesive backing
	802844P	Anchor Floor Mount Assembly	Includes 2 rubber discs with adhesive backing
19	34319	Leveling Leg	
20	21899	Nut	
21	803876	Base Assembly	
22	801491	Cabinet Brace	Left
23	M412154	Hole Plug	
24	918P3	Brace Kit	Includes items 13, 14 and 21

\* Add Letter To Designate Color. Q - Bisque W - White

# Junction Box

Models BFN5SFSP111CW01, BFN5SFSP111TW01, FTSA1A\*N, FTUA1A\*N, FTUA1A\*N1102 and FTZA1A\*N1102



FLW903P\_802845



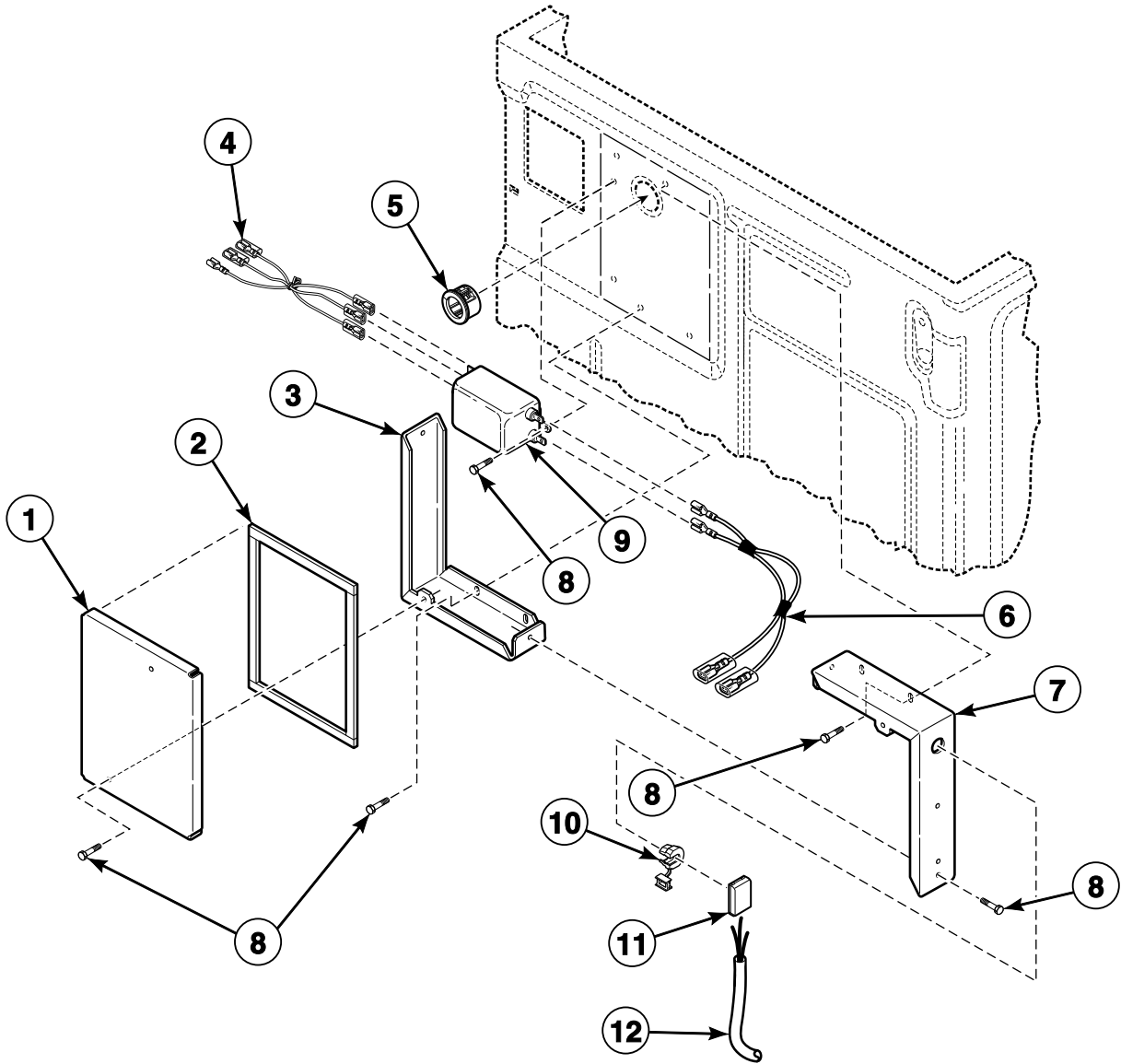
# Junction Box

REF	PART NO.	DESCRIPTION	COMMENTS
1	801498	Junction Box Cover	
2	801425P	Junction Box Seal	4 required
3	801518	Supply Injection Wire Harness Assembly	
4	M402542	Snap Bushing	
5	D503661	Screw	
6	D505876	Terminal Block Assembly	
7	801501	Relay Mounting Bracket	
8	431349	Relay	
9	801497	Upper Junction Box	
10	M400149	Connector	
11	801499	Lower Junction Box	

\* Add Letter To Designate Color. Q - Bisque W - White

# Junction Box and Power Cord

Models AFN50FSP301AW01, AFN51FSP111FN01, AFN51FSP301AN01, AFN51FSP301NN22, AFN51FSP541RN01, FFN50RSP301NW10, FTSA0A\*N3000, FTSA0A\*N3050, FTSA0A\*N3051, FTSA0A\*N3300, LFN50FSP081JW01, LFN50RSP301NW22, LTKA5A\*N3050, LTSA0A\*N1127 and LTSA5A\*N3000



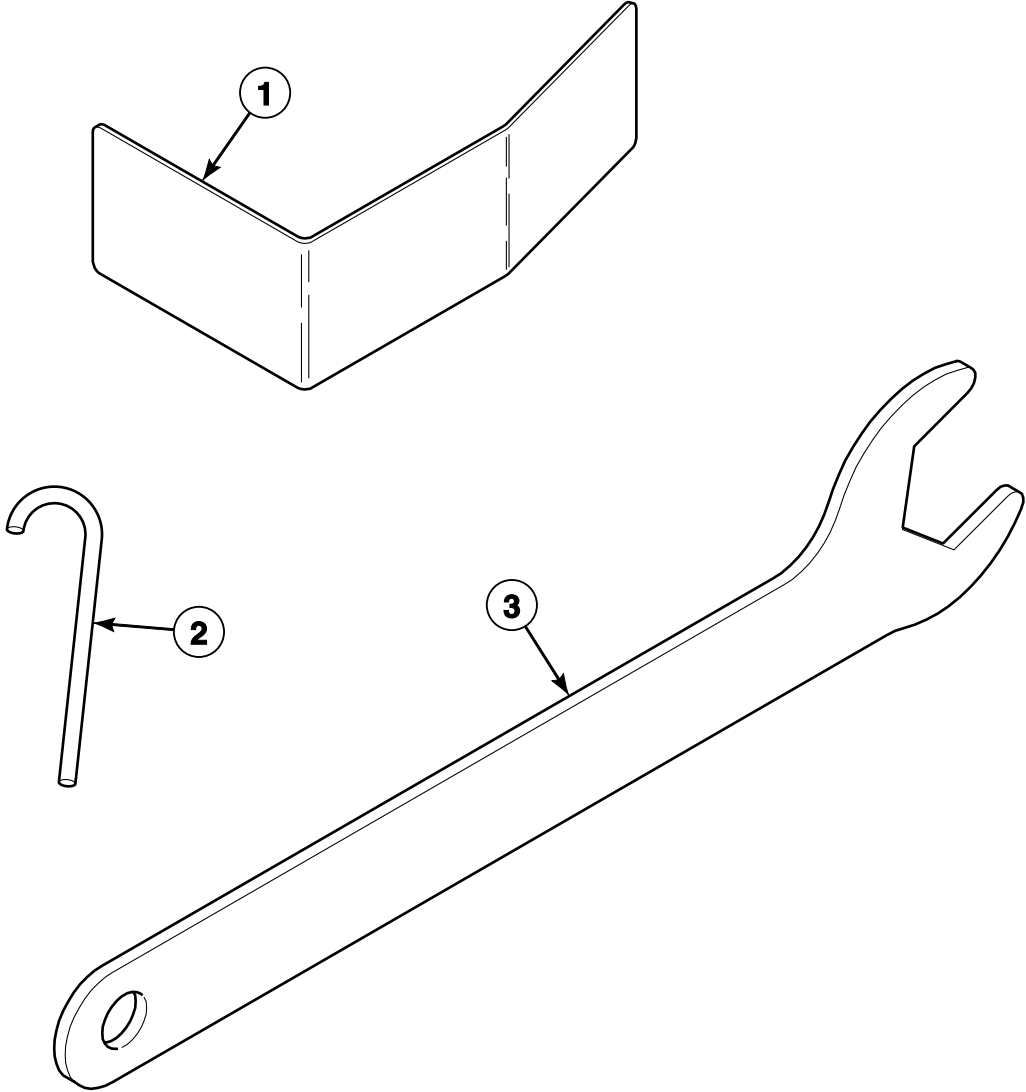
FLW1693P\_802845

# Junction Box and Power Cord

REF	PART NO.	DESCRIPTION	COMMENTS
1	801404	Junction Box Cover	
2	801425P	Junction Box Seal	4 required
3	801433	Lower Junction Box	
4	801420	Filter Jumper Harness	Line filter to power cord terminal block; All models except LFN50FSP081JW01
5	M402542	Snap Bushing	Models AFN50FSP301AW01, AFN51FSP111FN01, AFN51FSP301AN01, AFN51FSP301NN22, AFN51FSP541RN01, FTSA0A*N3000, FTSA0A*N3050, FTSA0A*N3051 and FTSA0A*N3300
6	802013	Wire Harness Assembly	Models AFN51FSP111FN01, LFN50FSP081JW01 and LTSA0A*N1127; Line filter to control harness
	801421	Wire Harness Assembly	All other models; Line filter to control harness
7	804360	Junction Box	Model LFN50FSP081JW01
	801403	Junction Box	All other models
8	D503661	Screw	
9	201058	Line Filter	
10	60298	Strain Relief	Model LFN50FSP081JW01
11	39922	Cable Connection Box	All models except LFN50FSP081JW01
12	801450	Power Cord Assembly	Models AFN51FSP301NN22, AFN51FSP541RN01, FFN50RSP301NW10, FTSA0A*N3000, FTSA0A*N3300 and LFN50RSP301NW22
	39931	Power Cord Assembly	Models AFN50FSP301AW01, AFN51FSP301AN01, FTSA0A*N3050 and FTSA0A*N3051; Includes plug
	801658	Power Cord Assembly	Model LTSA5A*N3000
	802012	Power Cord Assembly	Models AFN51FSP111FN01 and LTSA0A*N1127; Includes plug
	201574	Lead-In Cord	Model LTKA5A*N3050; Includes plug
	204061	Power Cord Assembly	Model LFN50FSP081JW01; Includes plug

\* Add Letter To Designate Color. Q - Bisque W - White

# Special Tools

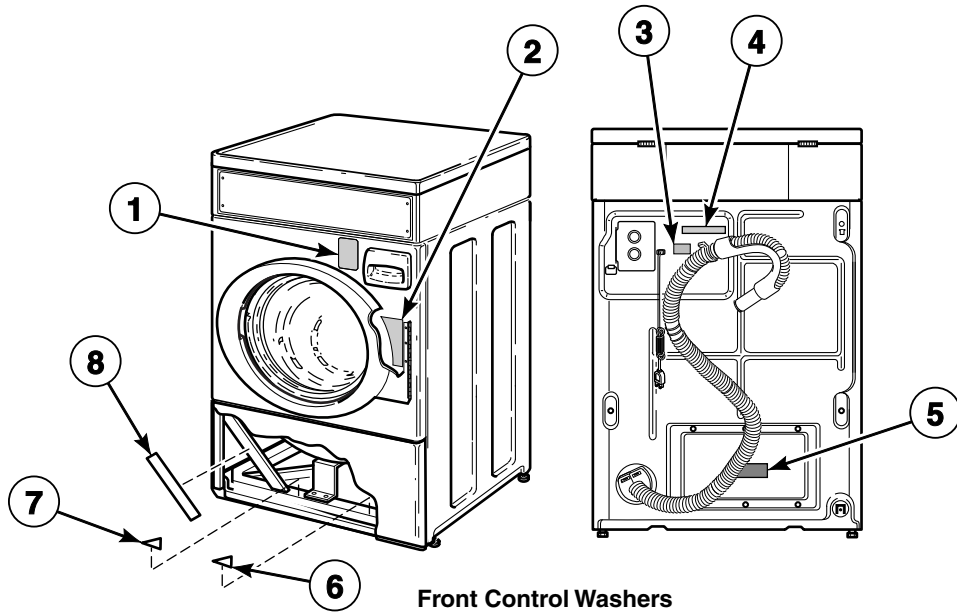


FLW986P\_802845

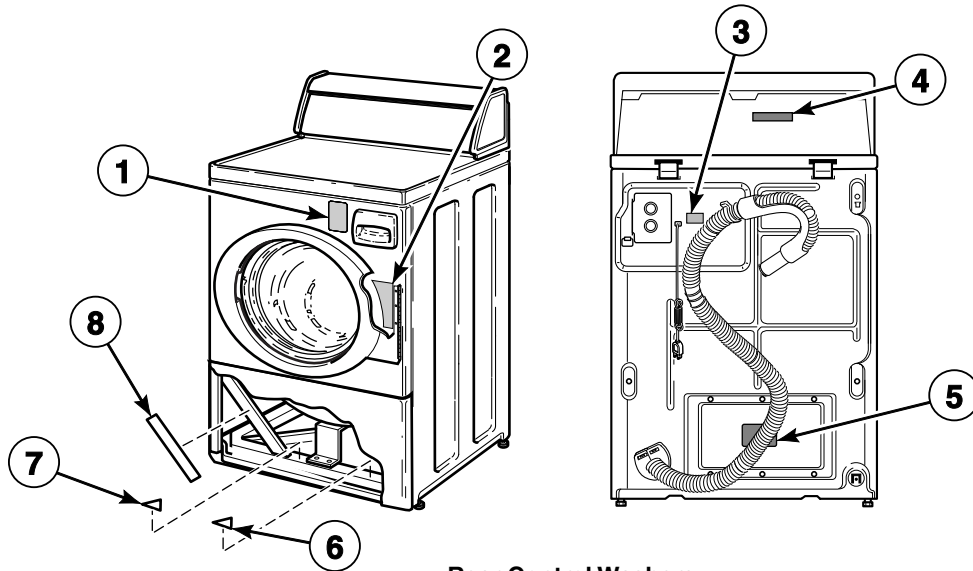
# Special Tools

REF	PART NO.	DESCRIPTION	COMMENTS
1	318P4	Dispenser Drawer Tool	Use to remove dispenser drawer
2	802336	Pulley Bolt Tightening Fixture	Use to install inner basket
3	392P4	Wrench	Use for adjusting leveling leg nuts

# Labels



Front Control Washers



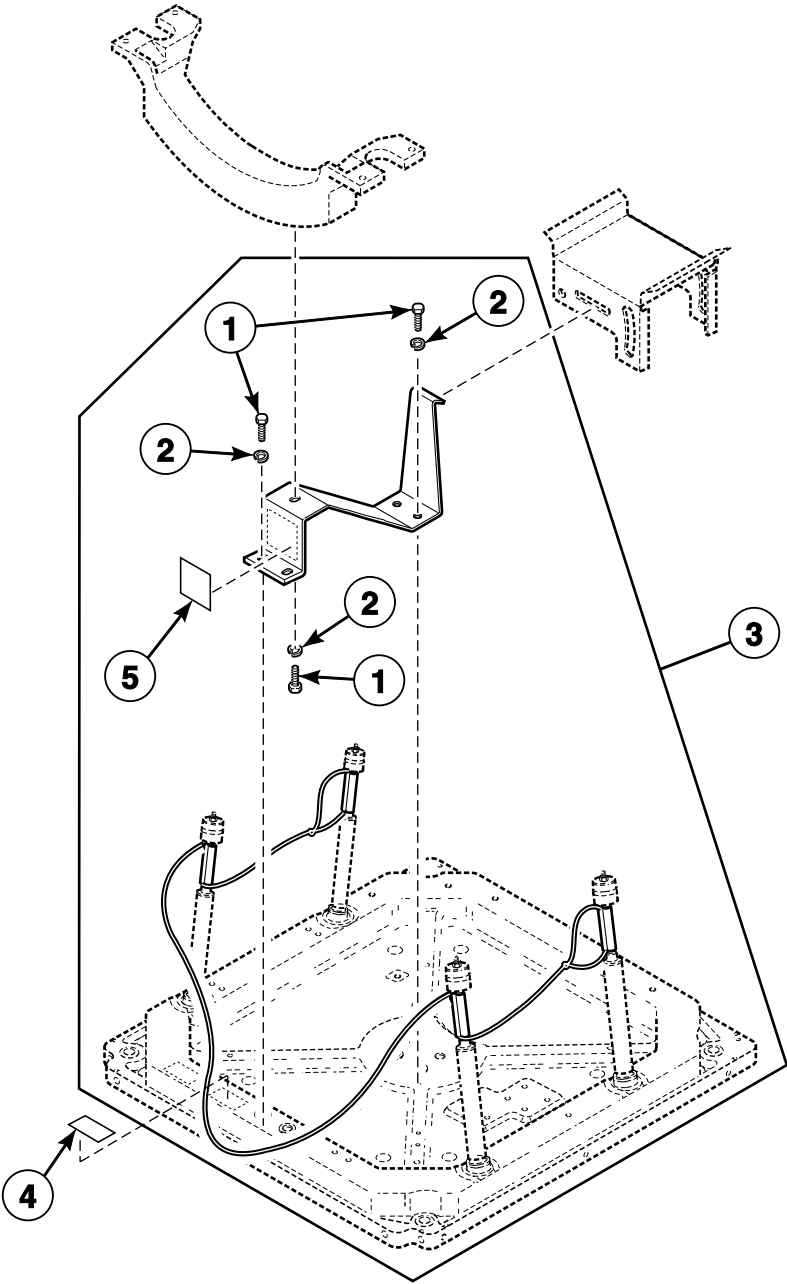
Rear Control Washers

FLW1688P\_802845

# Labels

REF	PART NO.	DESCRIPTION	COMMENTS
1	802074	Oversudsing Label	English
	802838	Oversudsing Label	Spanish
	802839	Oversudsing Label	Quebec French
2	802367	Warning Label	
3	803260	Warning Label	
4	D505281	Disconnect Power Warning Label	English
	F8211201	Electrical Shock Label	Icon
5	D500049	Warning Label	English
	D500314	Warning Label	Quebec French
	F8211201	Electrical Shock Label	Icon
6	F8615701	Pinch Warning Label	Models AFN51FSP541RN01, FFN50RSP301NW10, FTSA0A*N3000, FTSA0A*N3300, LFN50RSP301NW22 and LTSA5A*N3000
7	F8211201	Electrical Shock Label	Models AFN51FSP541RN01, FFN50RSP301NW10, FTSA0A*N3000, FTSA0A*N3300, LFN50RSP301NW22 and LTSA5A*N3000
8	803522	Warning Label	All models except AFN51FSP541RN01, FFN50RSP301NW10, FTSA0A*N3000, FTSA0A*N3300, LFN50RSP301NW22 and LTSA5A*N3000

# Shipping Materials



FLW1687P\_802845

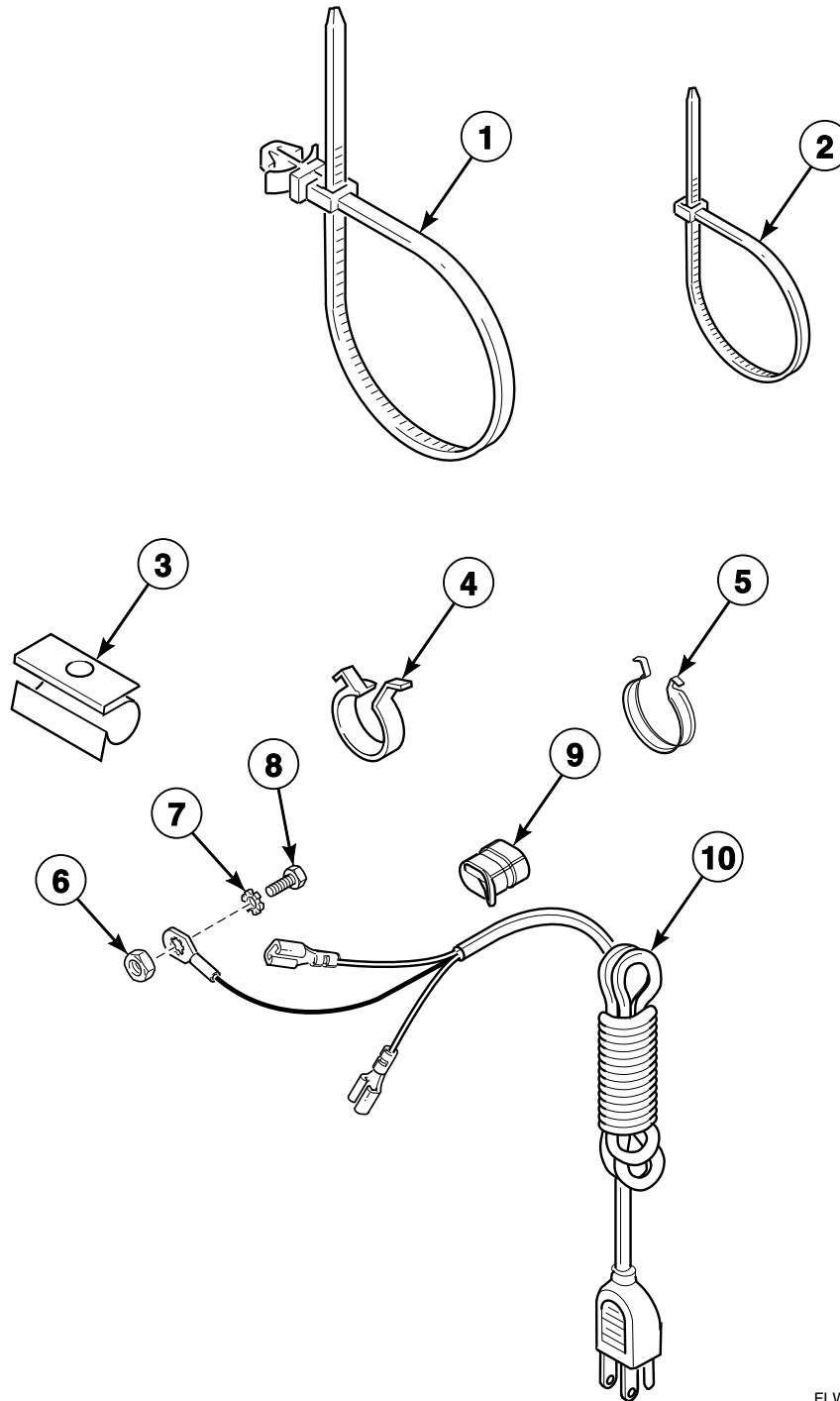


# Shipping Materials

REF	PART NO.	DESCRIPTION	COMMENTS
1	M400043	Screw	
2	M400014	Washer	
3	930P3	Shipping Materials Kit	Includes items 1, 2, 6, shipping bracket, shipping cord and brace assembly
4	800632	Warning Label	Non-grounded
5	807552	Shipping Bracket Label	

\* Add Letter To Designate Color. Q - Bisque W - White

# Wire Ties, Clips and Lead-In Cord



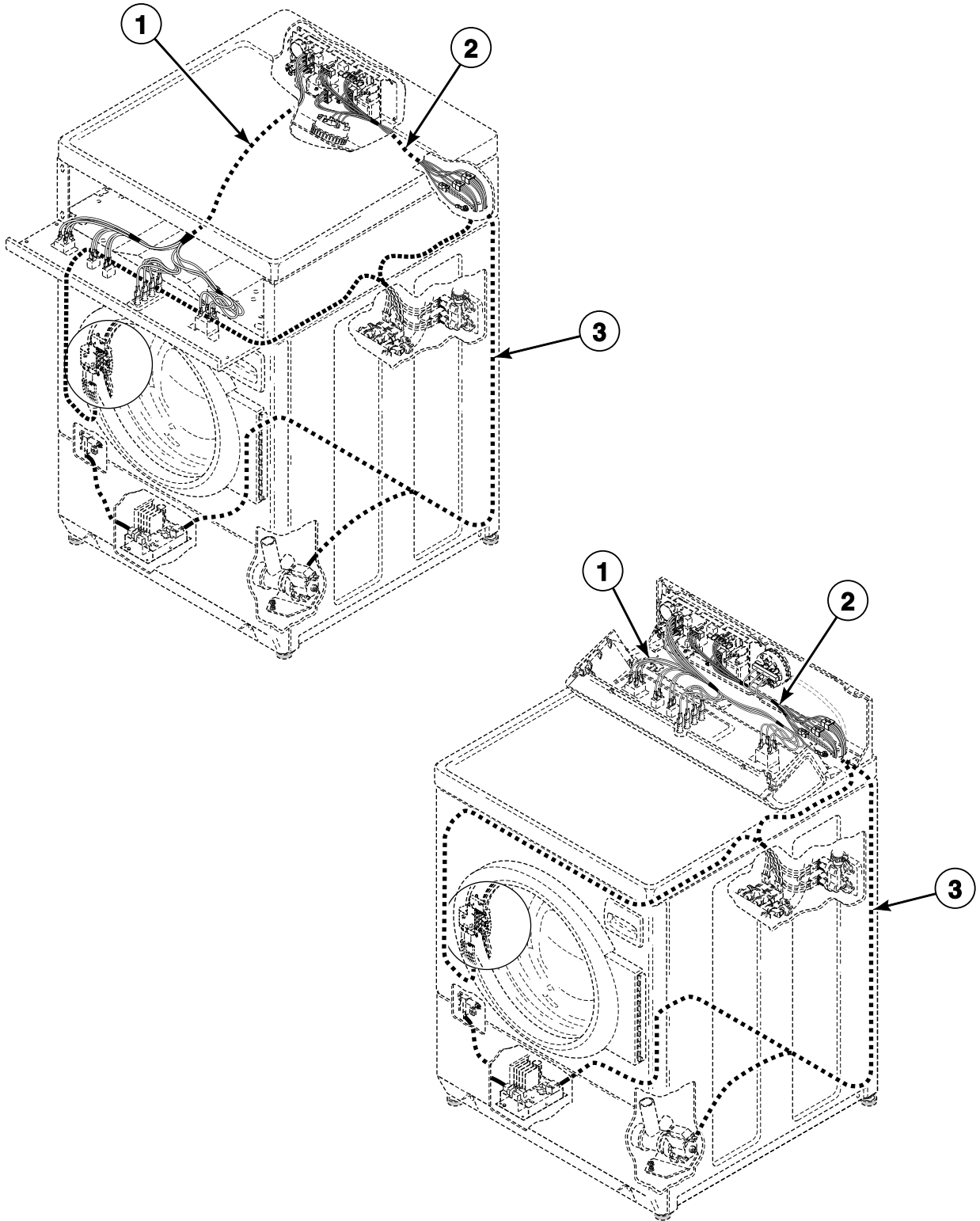
FLW823P\_802845

## Wire Ties, Clips and Lead-In Cord

REF	PART NO.	DESCRIPTION	COMMENTS
1	38663	Wire Tie	
2	55881	Harness Strap	
3	36985	Hose Clip	
4	D504034	Wire Clip	Small
5	687500	Wire Clip	Large
6	03673	Nut	
7	03815	Washer	
8	20530	Screw	
9	38384	Strain Relief	
10	34458	Lead-In Cord	Models AFN51FSP111TN03, ATZA0A*N1102, ATZA5A*N1102, BFN5SFSP111CW01, BFN5SFSP111TW01, CFN50FSP111CW01, CFN50RSP111CW01, CTZA0A*N1102, FTSA0A*N, FTSA1A*N, FTUA1A*N, FTUA1A*N1102, FTZA1A*N1102, LFNA0FSP111TW01, LFNA0RSP111TW01, LTSA0A*N, LTSA5A*N, LTZA0A*N1102, UFN50FSP111TW08, ZFN50FSP111CW01, ZFN50RSP111CW01 and ZFN51FSP111CN01

\* Add Letter To Designate Color. Q - Bisque W - White

# Wire Harnesses and Wires (Drawing 1 of 2)



FLW953P\_802845

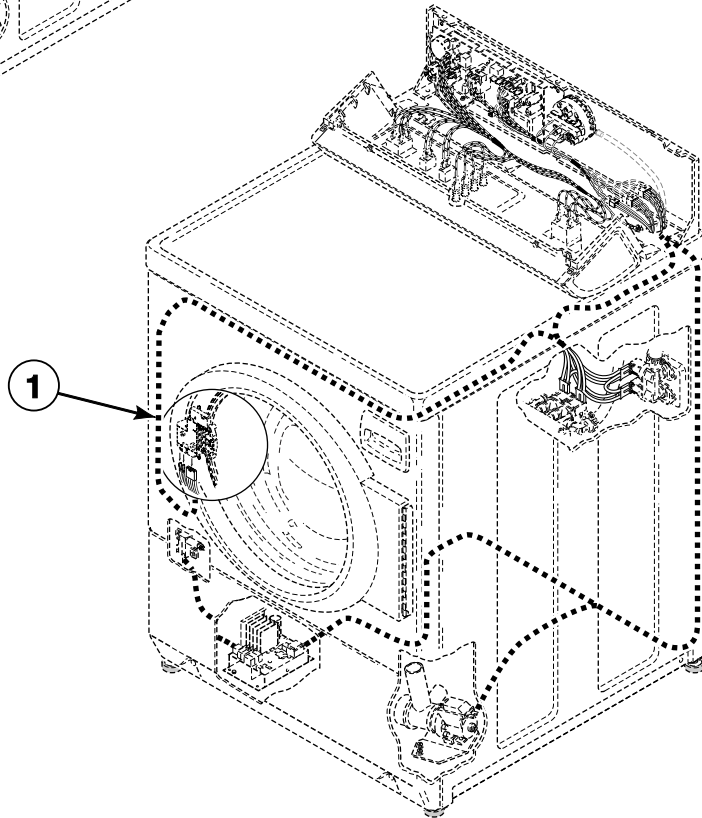
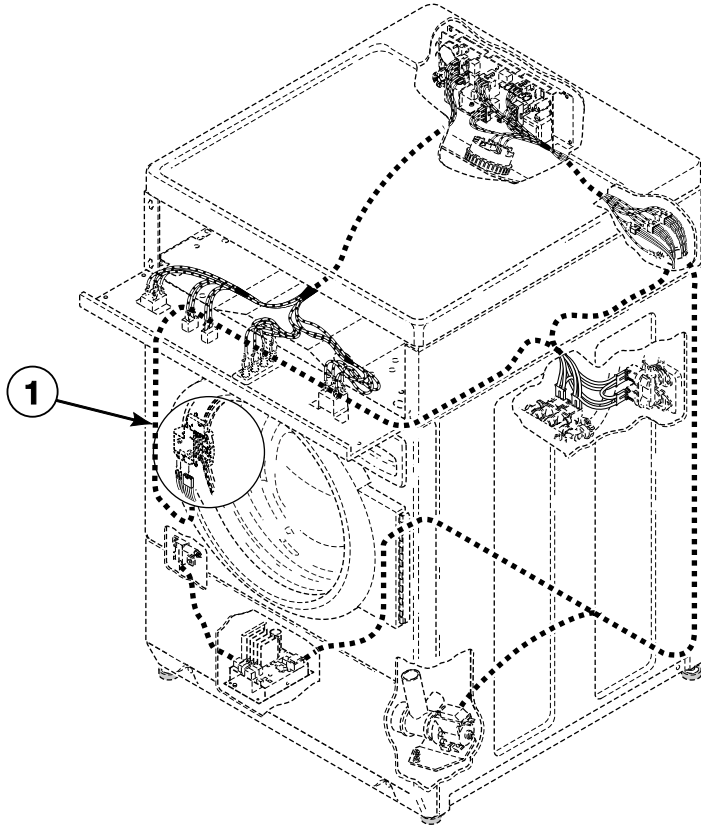
## Wire Harnesses and Wires (Drawing 1 of 2)

REF	PART NO.	DESCRIPTION	COMMENTS
	45001	18 Gauge Wire	Black; Order wire by foot and terminals as required
	45380	12 Gauge Wire	Orange; Order wire by foot and terminals as required
<b>1</b>	803242P	Control Harness Assembly	Models AFN51FSP111FN01, AFN51FSP111TN03, AFN51FSP301AN01, AFN51FSP301NN22, AFN51FSP541RN01 and ZFN51FSP111CN01
	801326P	Control Panel Harness Assembly	Models BFN5SFSP111CW01, BFN5SFSP111TW01, FTSA0A*N, FTSA0A*N3000, FTSA0A*N3050, FTSA0A*N3051, FTSA0A*N3300, FTSA1A*N, FTUA1A*N, FTUA1A*N1102, FTZA1A*N1102, LFNA0FSP111TW01, LFN50FSP081JW01 and UFN50FSP111TW08
	801325P	Harness Assembly	Models ATZA5A*N1102, LTKA5A*N3050, LTSA5A*N and LTSA5A*N3000
	801347P	Hood Harness Assembly	Models ATZA0A*N1102, CFN50RSP111CW01, FFN50RSP301NW10, LFNA0RSP111TW01, LFN50RSP301NW22, LTSA0A*N, LTSA0A*N1127, LTZA0A*N1102 and ZFN50RSP111CW01
	802052	Control Harness Assembly	Models AFN50FSP301AW01, CFN50FSP111CW01, CTZA0A*N1102 and ZFN50FSP111CW01
<b>2</b>	801346P	Control Harness Assembly	Models AFN50FSP301AW01, AFN51FSP301AN01, AFN51FSP301NN22, AFN51FSP541RN01, FFN50RSP301NW10, FTSA0A*N3000, FTSA0A*N3050, FTSA0A*N3051, FTSA0A*N3300 and LFN50RSP301NW22
	801324P	Control Harness Assembly	Models AFN51FSP111FN01, AFN51FSP111TN03, ATZA0A*N1102, BFN5SFSP111CW01, BFN5SFSP111TW01, CFN50FSP111CW01, CFN50RSP111CW01, CTZA0A*N1102, FTSA0A*N, FTSA1A*N, FTUA1A*N, FTUA1A*N1102, FTZA1A*N1102, LFNA0FSP111TW01, LFNA0RSP111TW01, LFN50FSP081JW01, LTSA0A*N, LTSA0A*N1127, LTZA0A*N1102, UFN50FSP111TW08, ZFN50FSP111CW01, ZFN50RSP111CW01 and ZFN51FSP111CN01
	801353	Control Wire Harness Assembly	Models LTKA5A*N3050 and LTSA5A*N3000
	801348P	Control Harness Assembly	Models ATZA5A*N1102 and LTSA5A*N
<b>3</b>	802274P	Motor Harness Assembly	Models through Serial No. 1201004551
	803581	Motor Harness Assembly	Models starting Serial No. 1201004552

\* Add Letter To Designate Color. Q - Bisque W - White

**NOTE:** Individual wires are not available separately. Order complete harness, or order wire by the foot. When applying terminals to wires, it is recommended that the terminals be soldered to the wires.

## Wire Harnesses and Wires (Drawing 2 of 2)



FLW953PA\_802845

## Wire Harnesses and Wires (Drawing 2 of 2)

REF	PART NO.	DESCRIPTION	COMMENTS
	45001	18 Gauge Wire	Black; Order wire by foot and terminals as required
	45380	12 Gauge Wire	Orange; Order wire by foot and terminals as required
1	802350P	Base Harness Assembly	Models FTSA0A*N3000, FTSA0A*N3050 and FTSA0A*N3300 through Serial No. 0705003456
	802833P	Base Harness Assembly	Models AFN50FSP301AW01, AFN51FSP301AN01, AFN51FSP301NN22, AFN51FSP541RN01, FFN50RSP301NW10, FTSA0A*N3051 and LFN50RSP301NW22; Models FTSA0A*N3000, FTSA0A*N3050 and FTSA0A*N3300 starting Serial No. 0705003457
	802351P	Base Harness Assembly	Models ATZA0A*N1102, CTZA0A*N1102, FTSA0A*N, FTSA1A*N, FTUA1A*N, FTZA1A*N1102, LTSA0A*N, LTSA0A*N1127 and LTZA0A*N1102 through Serial No. 0709009264
	802831P	Base Harness Assembly	Models AFN51FSP111FN01, AFN51FSP111TN03, BFN5SFSP111CW01, BFN5SFSP111TW01, CFN50FSP111CW01, CFN50RSP111CW01, LFNA0FSP111TW01, LFNA0RSP111TW01, LFN50FSP081JW01, UFN50FSP111TW08, ZFN50FSP111CW01, ZFN50RSP111CW01 and ZFN51FSP111CN01; Models ATZA0A*N1102, CTZA0A*N1102, FTSA0A*N, FTSA1A*N, FTUA1A*N, FTUA1A*N1102, FTZA1A*N1102, LTSA0A*N, LTSA0A*N1127 and LTZA0A*N1102 starting Serial No. 0709009265
	802349P	Base Harness Assembly	Models LTKA5A*N3050 and LTSA5A*N3000 through Serial No. 0704007393
	802834P	Base Harness Assembly	Models LTKA5A*N3050 and LTSA5A*N3000 starting Serial No. 0704007394 and continuing through Serial No. 0912001687
	803470	Base Harness Assembly	Models LTKA5A*N3050 and LTSA5A*N3000 starting Serial No. 0912001688
	802348P	Base Harness Assembly	Models ATZA5A*N1102 and LTSA5A*N through Serial No. 0703024952
	802832	Base Harness Assembly	Models ATZA5A*N1102 and LTSA5A*N starting Serial No. 0703024953 and continuing through Serial No. 1004018614
	803490	Base Harness Assembly	Models ATZA5A*N1102 and LTSA5A*N starting Serial No. 1004018615

\* Add Letter To Designate Color. Q - Bisque W - White

**NOTE:** Individual wires are not available separately. Order complete harness, or order wire by the foot. When applying terminals to wires, it is recommended that the terminals be soldered to the wires.





# Parts Index

## A

Access Panel Assembly	
D514250Q .....	19
D514250WP .....	19
D514251 .....	19
Anchor	
155P3 .....	37
Anchor Floor Mount Assembly	
802844P .....	37
Anti-Seize Compound	
27604P .....	31

## B

Backflow Preventer	
34500 .....	21, 23, 25
800310 .....	35
Badge	
803013 .....	11
803101 .....	11
Ballast Weight	
800205 .....	27
Base Assembly	
803876 .....	37
Base Harness Assembly	
802348P .....	53
802349P .....	53
802350P .....	53
802351P .....	53
802831P .....	53
802832 .....	53
802833P .....	53
802834P .....	53
803470 .....	53
803490 .....	53
Base Shock Absorber Kit	
802881P .....	27
Bearing Housing Kit	
800428P .....	31
Bearing Kit	
RB160001 .....	31
Bolt	
29651 .....	7, 9, 11
Boot Nozzle	
802291 .....	19, 21, 23
Brace Kit	
918P3 .....	37
Bracket	
D510146 .....	15
Bumper Pad	
36226 .....	37

## C

Cabinet Brace	
801491 .....	37
801492 .....	37

Cabinet Panel Kit	
800004QP .....	37
800004WP .....	37
Cabinet Side Panel	
802525P .....	37
802526P .....	37
Cable Connection Box	
39922 .....	41
Cap	
801746 .....	21, 23
Clamp Ring	
800312 .....	27
Clothes Guard	
803537 .....	27
Clothes Guard and Deflector Kit	
804560P .....	27
Clothes Guard Deflector	
804174P .....	27
804482 .....	27
Connector	
M400149 .....	39
801789 .....	7
Control Assembly	
802523P .....	7, 9, 11, 13
804670P .....	7, 9, 11, 13
Control Cabinet	
D513701DG .....	11
D513702DG .....	11
803141 .....	11
803142 .....	11
Control Cabinet Bottom	
801777 .....	7, 9, 11
Control Harness Assembly	
801324P .....	51
801346P .....	51
801348P .....	51
802052 .....	51
803242P .....	51
Control Knob Assembly	
803099P .....	11
803119P .....	9, 13
Control Overlay	
802982 .....	9
Control Panel	
802980W .....	13
804211W .....	13
Control Panel Assembly	
801377W .....	5
802045W .....	5, 9
803214 .....	11
Control Panel Harness Assembly	
801326P .....	51
Control Shield	
801061 .....	33
801371 .....	7, 9, 11
804738 .....	33
Control Support Panel	
801388 .....	13
Control Wire Harness Assembly	
801353 .....	51
Cycle Switch	
801240 .....	5, 9, 11, 13

N/A items do not appear in index.

Cycle Switch Bracket	
801390 .....	13

## D

Detergent Cover	
800899 .....	21, 23
Disconnect Power Warning Label	
D505281 .....	15, 45
Dispenser	
685756P .....	23
801090P .....	23
Dispenser Assembly	
801476P .....	23
801630P .....	21
801662P .....	21
Dispenser Drawer	
685757P .....	21, 23
Dispenser Drawer Front	
685715QP .....	21, 23
685715WP .....	21, 23
Dispenser Drawer Tool	
318P4 .....	43
Dispenser Handle	
803204P .....	23
Dispenser Plate	
801024 .....	21, 23
Dispenser-to-Door Seal Hose	
802256 .....	19, 21, 23
Dispenser-to-Tub Hose	
800331 .....	21, 23
Domed Label	
202128 .....	5
800921 .....	5
800922 .....	5
800923 .....	5
Door Assembly	
802617QP .....	17
802617WP .....	17
803218P .....	17
804914QP .....	17
804914WP .....	17
Door Catch Assembly	
802803 .....	17
Door Glass	
802695P .....	17
Door Hinge	
802934 .....	17
Door Latch/Switch Assembly	
802317P .....	19
Door Seal Assembly	
802866P .....	19, 21, 23
Door Seal Kit	
802830P .....	19, 21, 23
Drain Hose	
685730 .....	35
Drain Hose Sleeve	
33615 .....	35
Drain Kit	
985P3 .....	35
985P3A .....	35
Drain Pump	
802623P .....	35

802624P .....	35
802625P .....	35

Drive Belt	
800319P .....	33
Driven Pulley	
800866 .....	31

## E

Electrical Shock Label	
F8211201 .....	15, 27, 45
End Panel	
D504008QP .....	13
D504008WP .....	13
D504009QP .....	13
D504009WP .....	13
Expansion Clip	
70030501 .....	7, 9, 11

## F

Fill Hose	
202800 .....	25
202931 .....	25
20617 .....	25
20618 .....	25
35385 .....	25
37380 .....	25
Fill Hose Kit	
38349P .....	25
Filter Jumper Harness	
801420 .....	41
Front Panel	
802277QP .....	19
802277WP .....	19
802288P .....	19
Front Panel Pad	
36204 .....	19
Fuse	
801755 .....	33

## G

Gasket	
802427 .....	35
Glass Mounting Clip	
802700 .....	17
Graphic Overlay	
801141 .....	5
802766 .....	5
803185 .....	5
803361 .....	9
Graphic Panel	
801140Q .....	13
801140W .....	13
801369 .....	13
801389Q .....	13
801389W .....	13
801906W .....	13
802086W .....	13
802087W .....	13
802091W .....	13

N/A items do not appear in index.

803184W.....	13
Grommet	
29175 .....	27
Grounding Clip	
00161 .....	27

## H

Hardware Kit	
838P3.....	31
Harness Assembly	
801325P.....	51
Harness Strap	
55881 .....	19, 21, 23, 49
Heater Harness Assembly	
802322P.....	29
803491 .....	29
Heating Element	
804777P.....	29
Heating Element Kit	
801306P.....	29
Hinge	
D511036.....	7, 9, 11
Hinge Plate	
802206 .....	19
Hold-Down Clip	
35358 .....	15
Hole Plug	
M412154 .....	37
Hood Back Panel	
801060 .....	15
Hood Harness Assembly	
801347P.....	51
Hose Clamp	
F200204.....	35
F200206.....	21, 23
39282 .....	27
685725 .....	21, 23
802164 .....	19, 21, 23, 25
802281 .....	19
802698 .....	19, 21, 23
Hose Clip	
36985 .....	7, 9, 11, 27, 49
800553 .....	31
Hose Mounting Plate	
800552 .....	31

## I

Indicator Light	
801356 .....	13
801357 .....	13
Indicator Light Lens	
801435 .....	13
Injection Nozzle	
F8322001.....	21
Inner Basket Assembly	
802365P.....	31
803008P.....	31
804322 .....	31
Inner Door Bezel Kit	
802307P.....	17

802331P .....	17
Insert	
685716 .....	21, 23
Inverter Control Assembly	
803254P .....	33
803255P .....	33

## J

Jumper Configuration Assembly	
M413507 .....	7, 9, 11, 15
804212 .....	9, 11
Jumper Harness	
D513268.....	33
D513316.....	33
Jumper Harness Assembly	
M413504 .....	7
Junction Box	
801403 .....	41
804360 .....	41
Junction Box Cover	
801404 .....	41
801498 .....	39
Junction Box Seal	
801425P.....	39, 41

## K

Knob Assembly	
36701Q.....	5, 13
36701W .....	5, 13
803118P.....	9
803168P.....	13

## L

Lead-In Cord	
201574 .....	41
34458 .....	49
Left Control Cabinet Side	
800900QP .....	7
800900WP.....	7, 9
Left Hand Thread Label	
685928 .....	37
Lens	
803294 .....	11
Leveling Leg	
34319 .....	37
Lid Assembly	
802426P .....	35
Light	
801431 .....	5, 9, 11
Line Filter	
201058 .....	41
Lower Junction Box	
801433 .....	41
801499 .....	39

N/A items do not appear in index.

---

**M**

Mixing Valve	
802220P.....	25
802222P.....	25
Mixing Valve Plate	
800323.....	25
Mixing Valve Screen	
802926.....	25
Motor Access Hole Edging	
801702.....	37
Motor and Rod Assembly Kit	
801684P.....	33
Motor Harness Assembly	
802274P.....	51
803581.....	51
Motor Mount Rod	
801062.....	33

---

**N**

Nut	
F430218.....	27, 31
03673.....	49
21899.....	37
23951.....	17
36020.....	11, 19
44087201.....	7, 9, 11
685846.....	17
800452.....	27, 31
802292.....	19, 21, 23
802343.....	27
803017.....	31

---

**O**

O-Ring	
801632.....	21
802429P.....	35
Outer Bezel Assembly	
802616QP.....	17
802616WP.....	17
803219.....	17
Outer Door Bezel Kit	
802313QP.....	17
802313WP.....	17
Outer Tub Assembly	
801081P.....	27
801291.....	27
Out-of-Balance Switch Assembly	
803415.....	27
Out-of-Balance Switch Assembly Kit	
806512.....	27
Overlay	
801849.....	5
Oversudsing Label	
802074.....	45
802838.....	45
802839.....	45

---

**P**

Panel	
803067.....	11
803087.....	11
Panel Locator	
56079.....	19, 37
Pinch Warning Label	
F8615701.....	27, 45
Pop Rivet	
685847.....	7, 9, 11, 31
70058501.....	15
Porcelain Touch-Up Paint	
122P4P.....	37
370P4P.....	37
Power Cord Assembly	
204061.....	41
39931.....	41
801450.....	41
801658.....	41
802012.....	41
Pressure Bulb	
30907.....	27
Pressure Switch	
802299P.....	7, 9, 11, 13
Pulley Bolt Tightening Fixture	
802336.....	43
Pump Housing	
802428.....	35
Pump Housing Assembly	
802434P.....	35
Pump Mount Bracket	
802626.....	35
Push-to-Start Switch	
801434Q.....	5, 13
801434W.....	5, 9, 13

---

**R**

Rear Access Panel	
800011.....	37
Rear Control Cabinet	
801058.....	7, 9, 11
Rear Panel	
800010P.....	37
801629.....	37
Relay	
431349.....	39
801422.....	15
Relay Mounting Bracket	
801501.....	39
Resistor	
210100.....	7, 9, 11, 15
Retainer Clip	
36014.....	35
Retaining Ring	
23748.....	33
Right Control Cabinet	
801787Q.....	7
801787W.....	7
Right Control Cabinet Side	
800915Q.....	7

---

N/A items do not appear in index.

800915W.....	7, 9
Rocker Switch	
38424Q.....	5, 13
38424W.....	5, 9, 13
Rubber Foot	
D501855.....	37
34318.....	37

## S

Screw	
D501086.....	5, 9, 11, 13, 15, 25
D501524.....	7, 9, 11, 33
D503661 ...	7, 9, 11, 15, 19, 25, 27, 33, 35, 37, 39, 41
D503688.....	7, 9, 11, 15
D512921.....	19, 37
F430956.....	11
M400043.....	31, 47
M400057.....	33
M405188.....	11
20530.....	49
23008.....	11
31645.....	37
39733.....	19, 37
430497.....	37
685831.....	31
685837.....	13
70240301.....	7, 9, 11
800461.....	27
800462.....	27, 31
800548.....	17, 19, 21, 23
800930.....	5, 9
801001.....	21, 23
801019.....	17
801045.....	19
801993.....	17
802430.....	35
802431.....	35
802596.....	27
Sealant	
27615P.....	35
Selector Switch	
803568.....	11
Shipping Bracket Label	
807552.....	47
Shipping Materials Kit	
930P3.....	47
Side Panel	
800004G.....	37
800005G.....	37
Side Panel Kit	
800005QP.....	37
806492.....	37
Snap Bushing	
M402542.....	7, 9, 11, 39, 41
Standpipe Strap	
33489.....	35
Strain Relief	
32219.....	35
38384.....	49
60298.....	41
Supply Injection Wire Harness Assembly	
801518.....	39
Switch Mounting Bracket	
800663.....	27

803388.....	27
-------------	----

## T

Temperature Switch	
35115.....	5, 13
35117.....	13
687542.....	5, 9, 11, 13
Temperature Switch Bracket	
800669.....	13
Tension Rod Assembly	
800666.....	31
Terminal Block Assembly	
D505876.....	39
Thermistor	
803256.....	29
Timer Knob Assembly	
D512117Q.....	5, 13
D512117W.....	5, 13
803098P.....	11
Top and Gusset Assembly	
802247QP.....	7
802247WP.....	7, 9
Top Cover	
D505808Q.....	13
D505808W.....	13
Top Hinge	
D510136.....	37
Top Kit	
803144P.....	11
Top Mounting Bracket	
D504228.....	7, 9, 11
Top Panel Kit	
D510029WP.....	15
Transformer	
201375P.....	11
210018P.....	7, 9, 11, 15
803527P.....	7, 9, 11, 15
Trunnion Shaft and Hardware Kit	
800749P.....	31
Tub Front Assembly	
802258.....	27
802259.....	27
Tub Front Seal	
800432P.....	27, 31
Tub Shock Absorber Kit	
800622P.....	27
Tubing	
29214.....	27
685751.....	27
800648P.....	27
801635.....	21
Tub-to-Pump Hose	
800317.....	35
Twist-to-Start Switch	
803569.....	11

## U

Union	
801788.....	7

N/A items do not appear in index.

Upper Junction Box	
801497 .....	39

---

## V

Valve Kit	
685766P .....	21, 23
801836P .....	23
Valve-to-Dispenser Inlet Hose	
801464 .....	21, 23, 25

---

## W

Warning Label	
D500049 .....	27, 45
D500314 .....	27, 45
D500316 .....	15
800632 .....	47
802367 .....	45
803260 .....	45
803522 .....	45
Washer	
M400014 .....	47
M400080 .....	33
M400081 .....	27
M403958 .....	31
02834 .....	33
03815 .....	49
20290 .....	25
52549 .....	33
800457 .....	27, 31
802254 .....	25
802293 .....	19, 21, 23
803615 .....	25
807679 .....	31
Water Hose	
F200116 .....	25
Wire Clamp	
800811 .....	27
Wire Clip	
D504034 .....	49
687500 .....	19, 21, 23, 49
Wire Harness Assembly	
801421 .....	41
802013 .....	41
Wire Ring and Spring	
806466 .....	19
Wire Tie	
38663 .....	49
Wire, 12 Gauge	
45380 .....	51, 53
Wire, 18 Gauge	
45001 .....	51, 53
Wrench	
392P4 .....	43

---