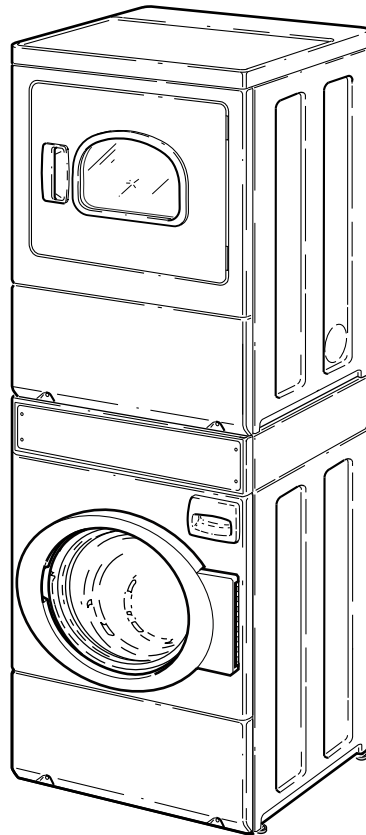


Non-Vended Stacked Washer/Dryer

Refer to Page 3 for Model Numbers



SWD452C_802847

Table of Contents

Title	Page
Parts Ordering Information.....	2
Serial Plate Location	2
Model Identification	3
Control Cabinet and Controls.....	4
Control Panel and Controls (Drawing 1 of 2)	6
Control Panel and Controls (Drawing 2 of 2)	8
Washer Front Panel, Door Assembly and Door Seal.....	10
Dispenser Assembly	12
Mixing Valve, Valve-to-Dispenser Inlet Hose and Fill Hose	14
Outer Tub, Front and Clamp Ring.....	16
Inner Basket, Trunnion, Bearing Housing and Pulley	18
Washer Motor and Belt	20
Drain Hose and Pump.....	22
Washer Base, Panels and Rear Panel	24
Junction Box	26
Wire Ties and Harness Clips	28
Dryer Loading Door with Window (Drawing 1 of 2).....	30
Dryer Loading Door with Window (Drawing 2 of 2).....	32
Dryer Access Panel, Front Panel and Seal.....	34
Dryer Motor, Exhaust Fan and Belt.....	36
Front Bulkhead, Air Duct, Felt Seal and Cylinder	38
Rear Bulkhead, Felt Seal, Cylinder Roller and Terminal Block.....	40
Heater Duct and Element Assembly	42
Heater Duct Assembly	44
Gas Valve, Igniter and Gas Conversion Kits.....	46
Burner Orifice Spuds - For Higher Elevations (Drawing 1 of 2)	48
Burner Orifice Spuds - For Higher Elevations (Drawing 2 of 2)	50
Dryer Cabinet, Exhaust Duct and Base	52
Power Cord	54
Dryer Motor Connection Block, Terminal Extractor Tools	56
Shipping Materials	58
Special Tools	60
Labels	62
Wire Harnesses and Wires	64
Wire Harnesses and Wires Through Serial No. 1303025314	66
Wire Harnesses and Wires Starting Serial No. 1303025315	68
Parts Index.....	73

© Copyright 2024, Alliance Laundry Systems LLC

All rights reserved. No part of the contents of this book may be reproduced or transmitted in any form or by any means without the expressed written consent of the publisher.

Parts Ordering Information

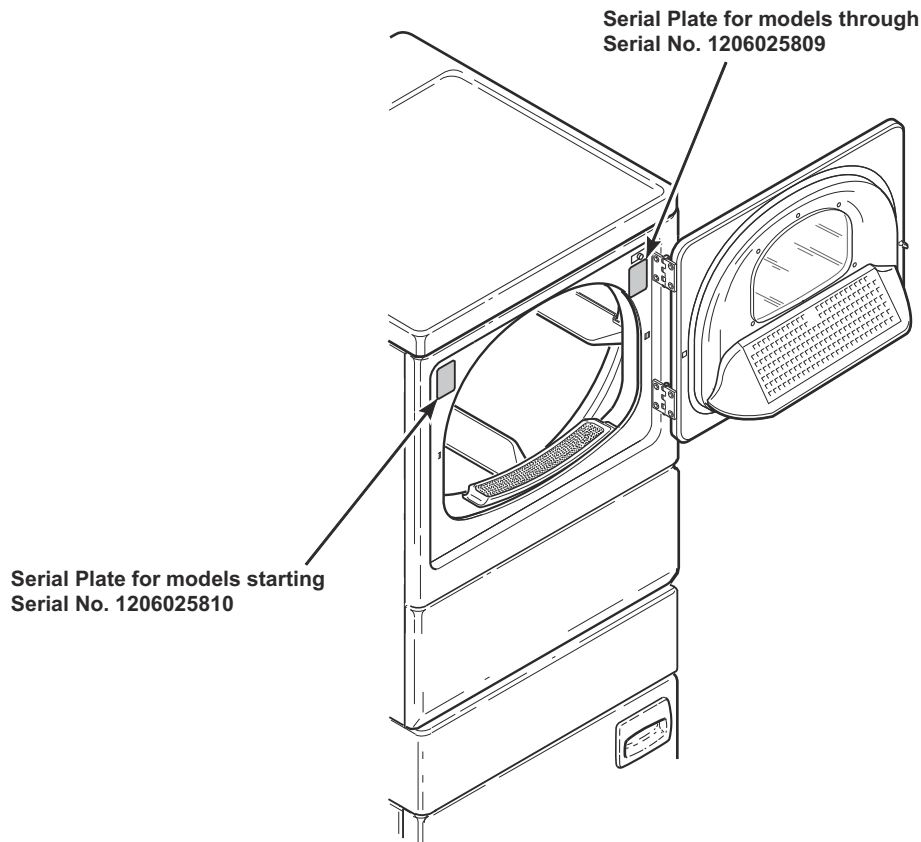
If literature or replacement parts are required, contact the source from whom the machine was purchased or contact Alliance Laundry Systems at (920) 748-3950 for the name and address of the nearest authorized parts distributor.

For technical assistance, call the number listed below:

(920) 748-3121 Ripon, Wisconsin

Serial Plate Location

When calling or writing about your product, be sure to mention model and serial numbers. Model and serial numbers are located on the serial plate(s) as shown.



SWD1276P_802847

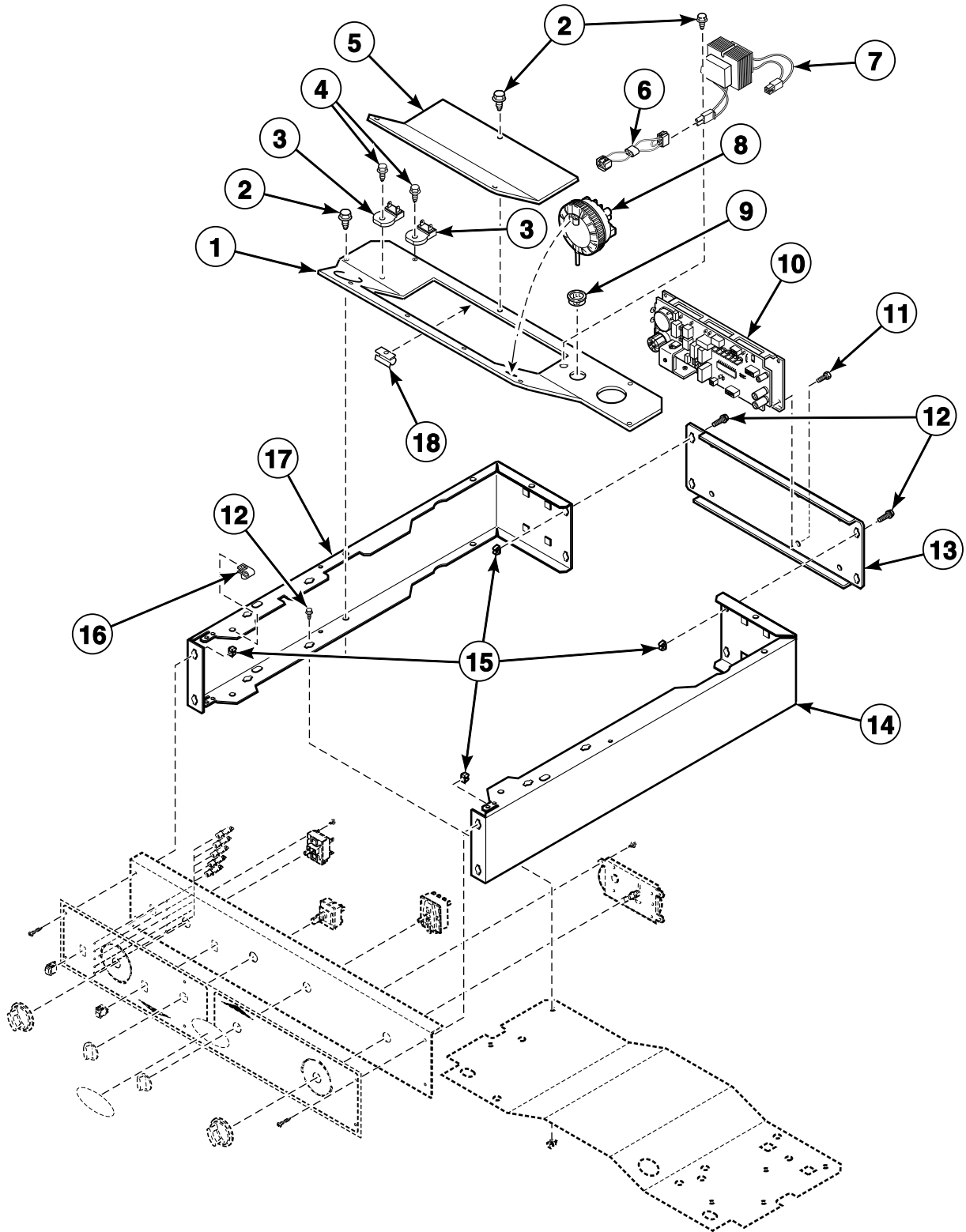
Model Identification

Information in this manual is applicable to these stacked washer/dryer models:

ATE50FWP431AW01	LTSA9A*N
ATG50FWP301AW01	LTSA9A*N1180
BTE50FSP171TW01	LTSA9A*N3000
BTE50FSP281CW01	LTSA9A*N3060
BTG50FSP091CW01	LTSA9A*N3061
BTG50FSP111TW01	LTUA7A*N
FTE50FSP301NW01	LTUA7A*N2802
FTE50FSP301NW10	LTUA9A*N
FTG50FSP301NW10	LTZA7A*N
LTE50FGP541NW23	LTZA7A*N2802
LTG50FSP081JW01	LTZA9A*N
LTKA6A*N4350	LTZA9A*N0902
LTL50FGP541NW23	UTE50FSP171TW08
LTSA7A*N	UTG50FSP111TW08
LTSA7A*N1500	
LTSA7A*N2989	
LTSA7A*N3000	
LTSA7A*N3300	
LTSA7A*N4350	
LTSA7A*N4351	

* Add Letter To Designate Color. Q - Bisque W - White

Control Cabinet and Controls



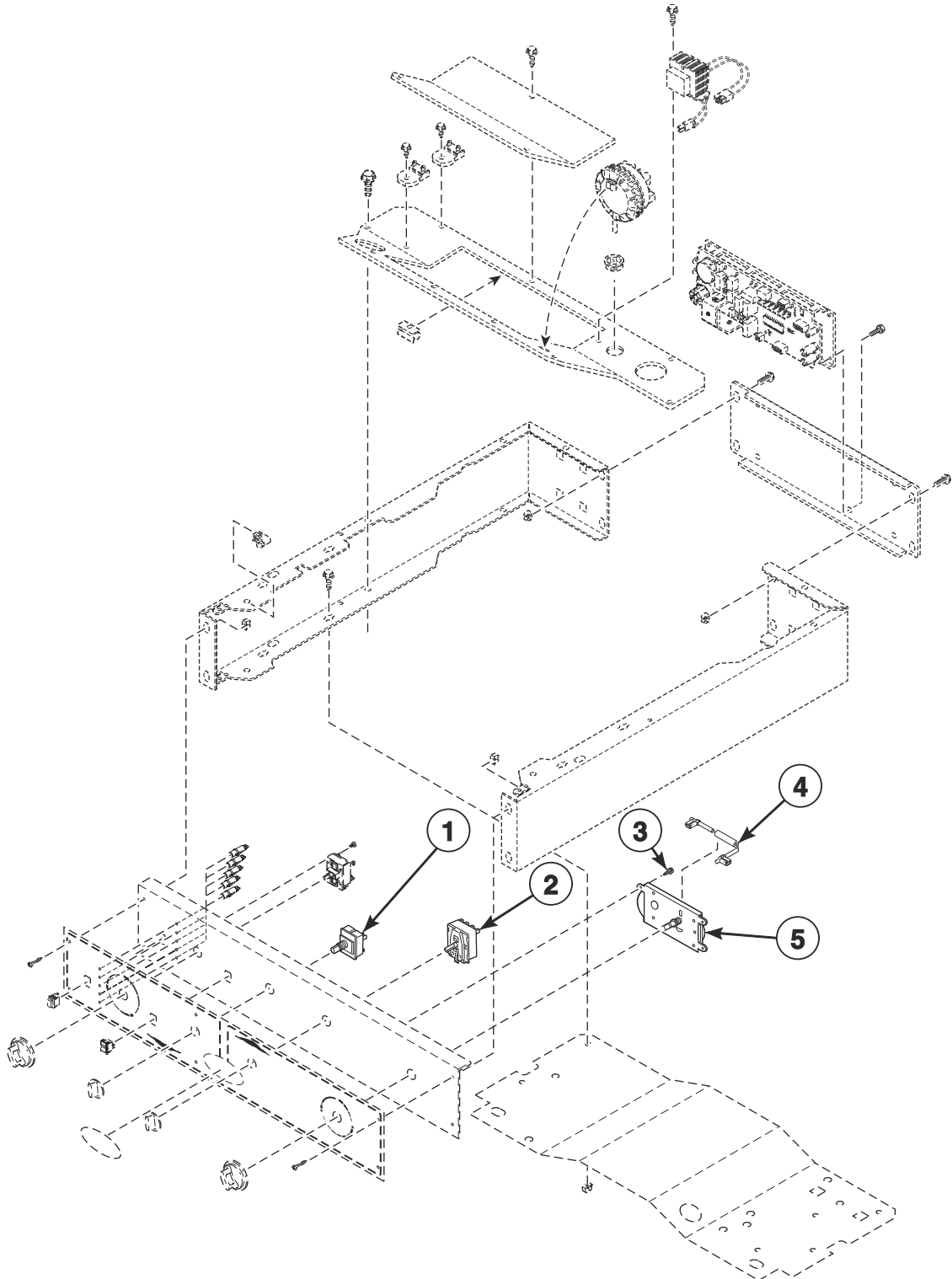
SWD1275P_802847

Control Cabinet and Controls

REF	PART NO.	DESCRIPTION	COMMENTS
1	801372	Control Shield	Uses service door
	801371	Control Shield	No service door
2	D503661	Screw	
3	210100	Resistor	Models ATE50FWP431AW01, ATG50FWP301AW01, FTE50FSP301NW01, FTE50FSP301NW10, FTG50FSP301NW10, LTE50FGP541NW23, LTKA6A*N4350, LTL50FGP541NW23, LTSA7A*N3000, LTSA7A*N3300, LTSA7A*N4350, LTSA7A*N4351, LTSA9A*N3000, LTSA9A*N3060 and LTSA9A*N3061
4	D503688	Screw	
5	801373	Control Access Door	
6	M413504	Jumper Harness Assembly	Model LTG50FSP081JW01
	M413507	Jumper Configuration Assembly	Models ATE50FWP431AW01, ATG50FWP301AW01, FTE50FSP301NW01, FTE50FSP301NW10, FTG50FSP301NW10, LTE50FGP541NW23, LTKA6A*N4350, LTL50FGP541NW23, LTSA7A*N3000, LTSA7A*N3300, LTSA7A*N4350, LTSA7A*N4351, LTSA9A*N3000, LTSA9A*N3060 and LTSA9A*N3061
7	803527P	Transformer	Models ATE50FWP431AW01, ATG50FWP301AW01, FTE50FSP301NW01, FTE50FSP301NW10, FTG50FSP301NW10, LTE50FGP541NW23, LTG50FSP081JW01, LTKA6A*N4350, LTL50FGP541NW23, LTSA7A*N3000, LTSA7A*N3300, LTSA7A*N4350, LTSA7A*N4351, LTSA9A*N3000, LTSA9A*N3060 and LTSA9A*N3061
	210018P	Transformer	All other models
8	802299P	Pressure Switch	
9	M402542	Snap Bushing	
10	804670P	Control Assembly	Models ATE50FWP431AW01 and ATG50FWP301AW01 starting Serial No. beginning 1207
	802523P	Control Assembly	Models ATE50FWP431AW01 and ATG50FWP301AW01 through Serial No. beginning 1207; All other models
	804212	Jumper Configuration Assembly	Attaches to H7 on control; Models ATE50FWP431AW01 and ATG50FWP301AW01 starting Serial No. beginning 1207
	801333	Jumper Assembly	Attaches to H7 on control; Models ATE50FWP431AW01 and ATG50FWP301AW01 through Serial No. beginning 1207; All other models
11	D501524	Screw	
12	430497	Screw	
13	801058	Rear Control Cabinet	
14	800915W	Right Control Cabinet Side	White
	800915Q	Right Control Cabinet Side	Bisque
15	70030501	Expansion Clip	
16	800931	Nut	
17	800900WP	Left Control Cabinet Side	White
	800900QP	Left Control Cabinet Side	Bisque
18	36985	Hose Clip	

* Add Letter To Designate Color. Q - Bisque W - White

Control Panel and Controls (Drawing 1 of 2)



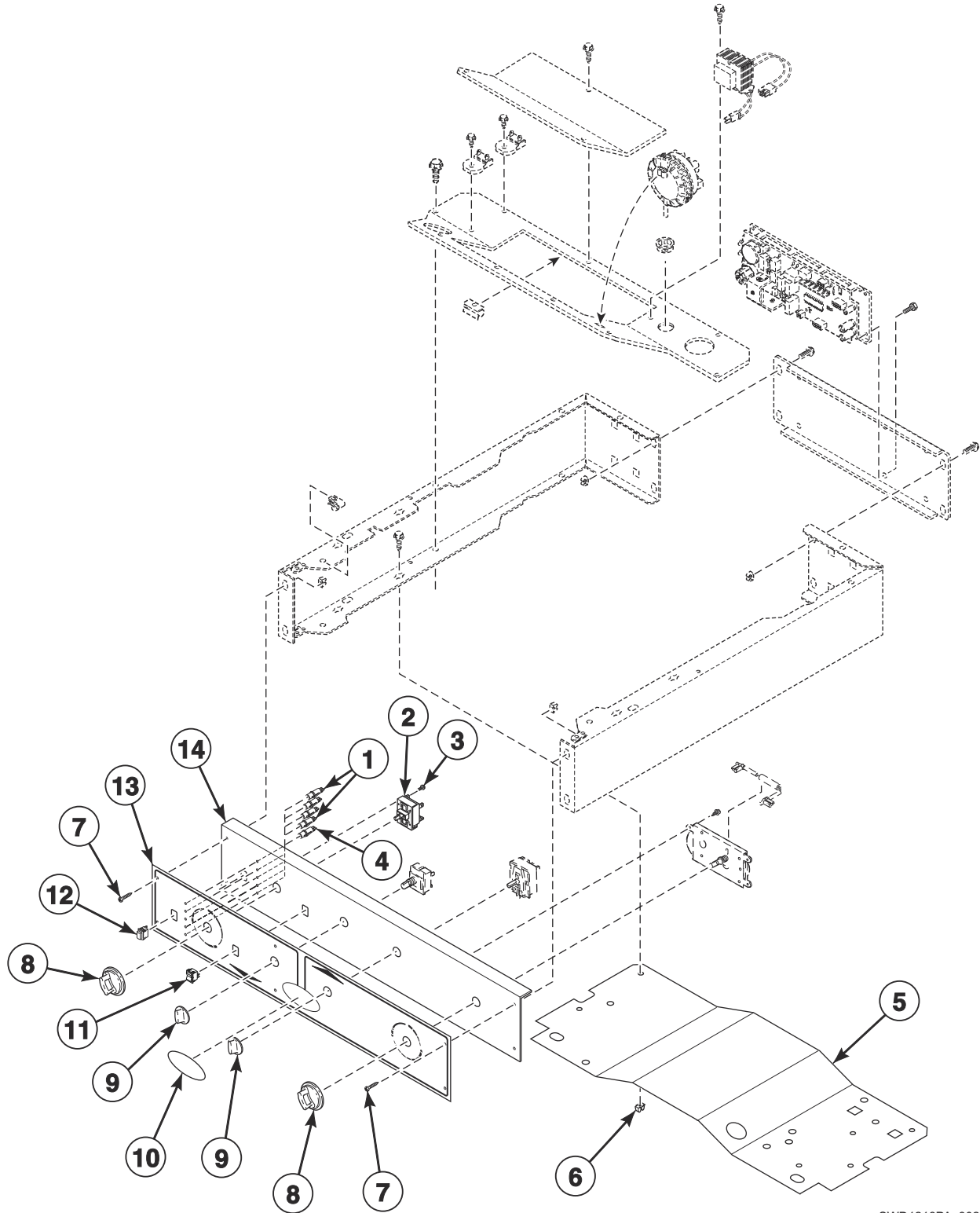
SWD1218P_802847

Control Panel and Controls (Drawing 1 of 2)

REF	PART NO.	DESCRIPTION	COMMENTS
1	35117	Temperature Switch	Washer; Model LTKA6A*N4350
	687542	Temperature Switch	Washer; All other models
2	D513505	Fabric Selector Switch	Dryer
3	D501086	Screw	
4	D511277	Resistor Assembly	Use with D505797 Timer; Models BTE50FSP171TW01, BTE50FSP281CW01, LTSA7A*N, LTSA7A*N1500, LTSA7A*N2989, LTUA7A*N, LTUA7A*N2802, LTZA7A*N, LTZA7A*N2802 and UTE50FSP171TW08
5	D505797P	Timer and Harness Kit	Through Serial No. 1903000001; Models BTE50FSP171TW01, BTE50FSP281CW01, LTSA7A*N, LTSA7A*N1500, LTSA7A*N2989, LTUA7A*N, LTUA7A*N2802, LTZA7A*N, LTZA7A*N2802 and UTE50FSP171TW08 replaced by D519033 Timer Replacement Kit
	D517387	Timer	Starting Serial No. 1903000001; Models BTE50FSP171TW01, BTE50FSP281CW01, LTSA7A*N, LTSA7A*N1500, LTSA7A*N2989, LTUA7A*N, LTUA7A*N2802, LTZA7A*N, LTZA7A*N2802 and UTE50FSP171TW08 replaced by D519033 Timer Replacement Kit
	D519033	Timer Replacement Kit	Replaces D505797P Timer and Harness Kit and D517387 Timer; Models BTE50FSP171TW01, BTE50FSP281CW01, LTSA7A*N, LTSA7A*N1500, LTSA7A*N2989, LTUA7A*N, LTUA7A*N2802, LTZA7A*N, LTZA7A*N2802 and UTE50FSP171TW08
	D505794P	Timer	Through Serial No. 1903000001; Model LTSA9A*N1180; Models BTG50FSP091CW01, BTG50FSP111TW01, LTG50FSP081JW01, LTSA9A*N, LTUA9A*N, LTZA9A*N, LTZA9A*N0902 and UTG50FSP111TW08 replaced by D519037 Timer Replacement Kit
	D517386	Timer	Starting Serial No. 1903000001; Models BTG50FSP091CW01, BTG50FSP111TW01, LTG50FSP081JW01, LTSA9A*N, LTUA9A*N, LTZA9A*N, LTZA9A*N0902 and UTG50FSP111TW08 replaced by D519037 Timer Replacement Kit
	D519037	Timer Replacement Kit	Replaces D505794P Timer and D517386 Timer; Models BTG50FSP091CW01, BTG50FSP111TW01, LTG50FSP081JW01, LTSA9A*N, LTUA9A*N, LTZA9A*N, LTZA9A*N0902 and UTG50FSP111TW08
	D505795P	Timer	Models ATE50FWP431AW01, ATG50FWP301AW01, FTE50FSP301NW01, FTE50FSP301NW10, FTG50FSP301NW10, LTSA7A*N3000, LTSA7A*N4350, LTSA7A*N4351, LTSA9A*N3000, LTSA9A*N3060 and LTSA9A*N3061
	D505796P	Timer	Models LTE50FGP541NW23, LTL50FGP541NW23 and LTSA7A*N3300
	D502964P	Timer	Model LTKA6A*N4350

* Add Letter To Designate Color. Q - Bisque W - White

Control Panel and Controls (Drawing 2 of 2)



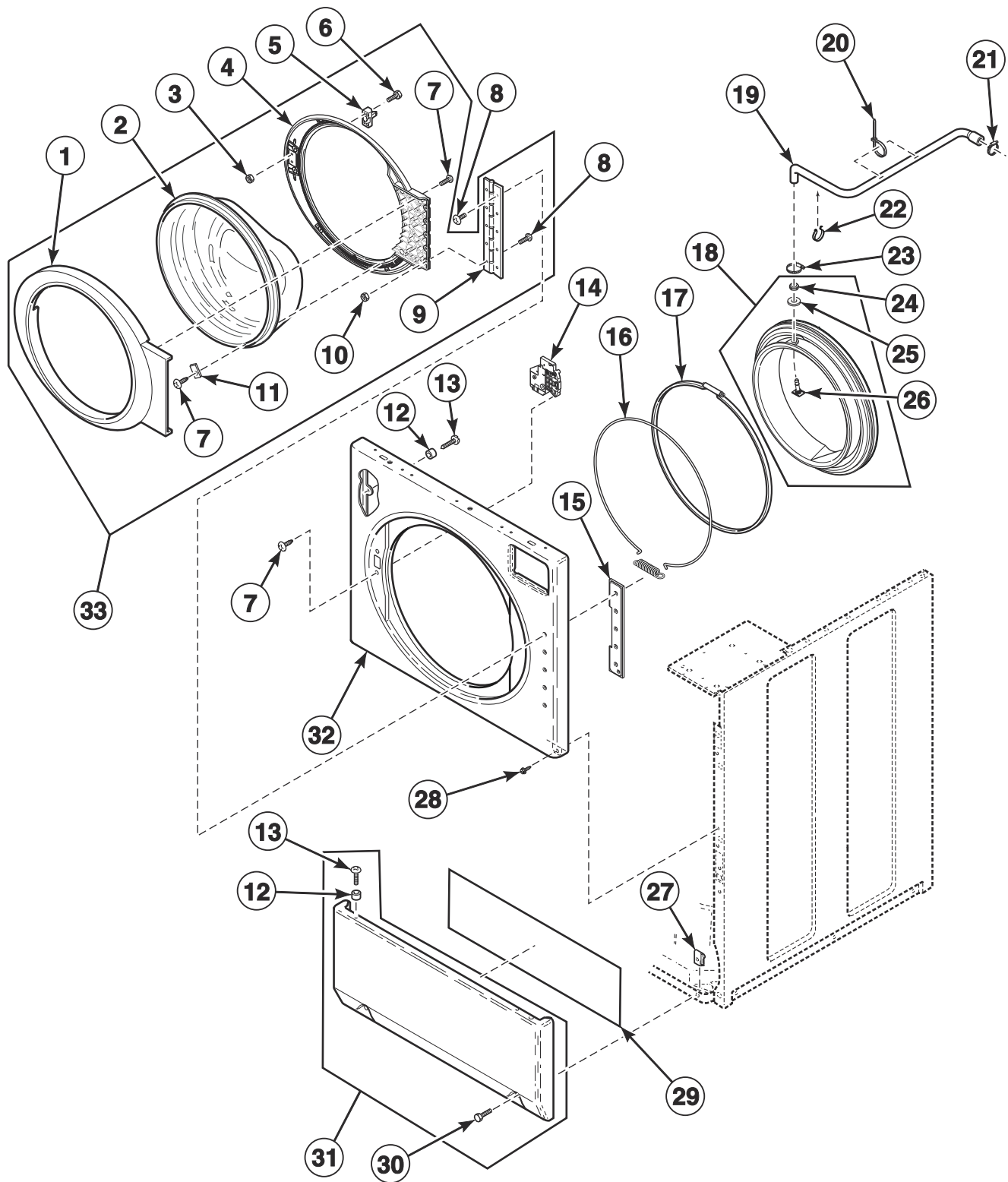
SWD1218PA_802847

Control Panel and Controls (Drawing 2 of 2)

REF	PART NO.	DESCRIPTION	COMMENTS
1	801431	Light	Green
2	801240	Cycle Switch	Washer
3	D501086	Screw	
4	801432	Light	Red; Model LTKA6A*N4350
5	801777	Control Cabinet Bottom	
6	70030501	Expansion Clip	
7	800930	Screw	
8	803118P	Knob Assembly	Models ATE50FWP431AW01 and ATG50FWP301AW01
	D512117W	Timer Knob Assembly	White; All other models
	D512117Q	Timer Knob Assembly	Bisque; All other models
9	803119P	Control Knob Assembly	Models ATE50FWP431AW01 and ATG50FWP301AW01
	36701W	Knob Assembly	White; All other models
	36701Q	Knob Assembly	Bisque; All other models
10	800922	Domed Label	Models LTZA7A*N, LTZA7A*N2802, LTZA9A*N and LTZA9A*N0902
	800921	Domed Label	Models LTE50FGP541NW23, LTG50FSP081JW01, LTL50FGP541NW23, LTSA7A*N, LTSA7A*N1500, LTSA7A*N2989, LTSA7A*N3000, LTSA7A*N3300, LTSA7A*N4350, LTSA7A*N4351, LTSA9A*N, LTSA9A*N1180, LTSA9A*N3000, LTSA9A*N3060 and LTSA9A*N3061
	800923	Domed Label	Models LTUA7A*N, LTUA7A*N2802, LTUA9A*N, UTE50FSP171TW08 and UTG50FSP111TW08
	202128	Domed Label	Models BTE50FSP171TW01, BTE50FSP281CW01, BTG50FSP091CW01 and BTG50FSP111TW01
11	38424W	Rocker Switch	White; Extra rinse
	38424Q	Rocker Switch	Bisque; Extra rinse
12	801434W	Push-to-Start Switch	White
	801434Q	Push-to-Start Switch	Bisque
13	802099	Graphic Overlay	Model LTKA6A*N4350
	803362	Graphic Overlay	Models ATE50FWP431AW01 and ATG50FWP301AW01
	801142	Graphic Overlay	All other models
14	802101W	Control Panel Assembly	

* Add Letter To Designate Color. Q - Bisque W - White

Washer Front Panel, Door Assembly and Door Seal

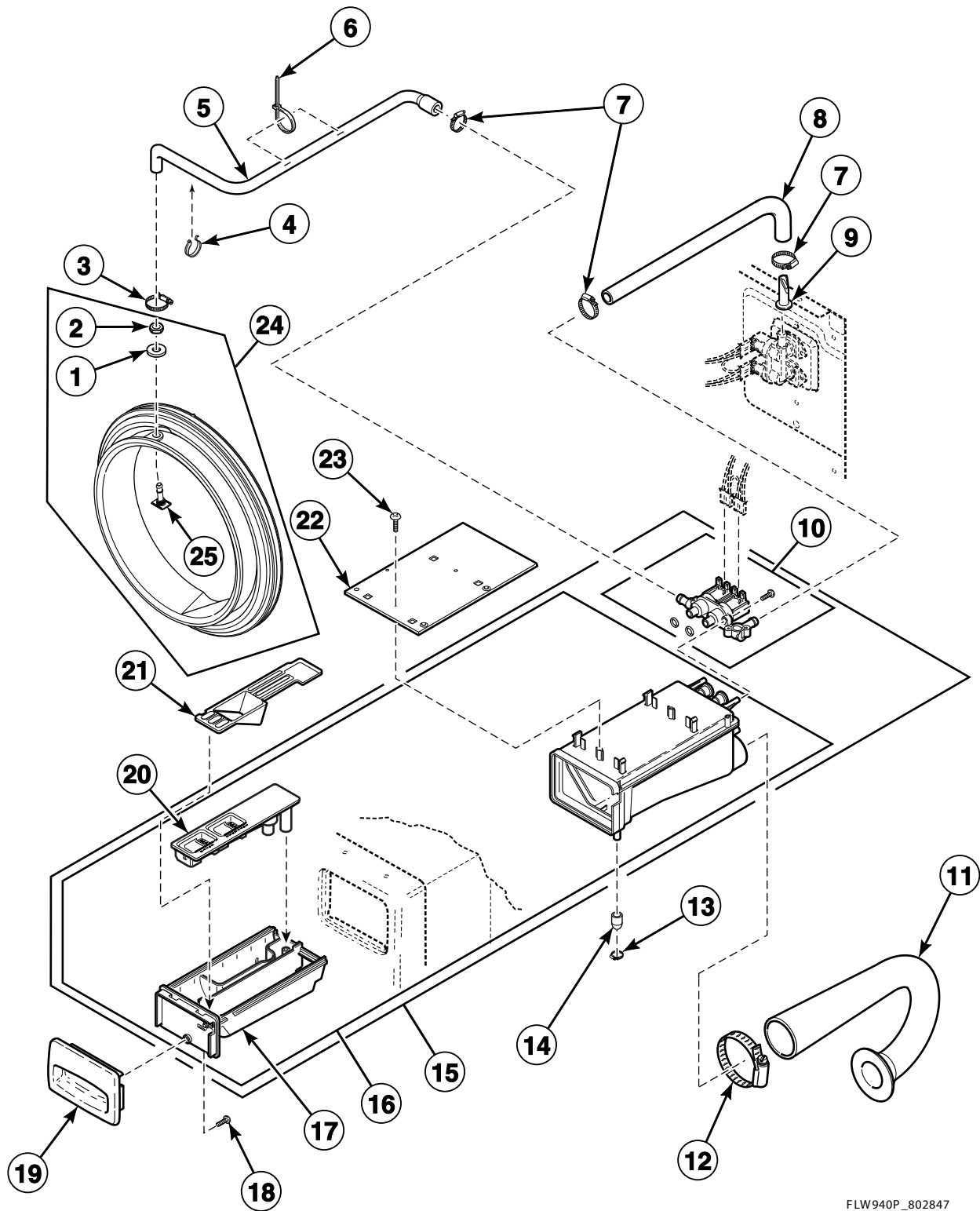


FLW938P

Washer Front Panel, Door Assembly and Door Seal

REF	PART NO.	DESCRIPTION	COMMENTS
1	802616WP	Outer Bezel Assembly	Models ATE50FWP431AW01 and ATG50FWP301AW01
	802313WP	Outer Door Bezel Kit	White; All other models
	802313QP	Outer Door Bezel Kit	Bisque; All other models
2	802695P	Door Glass	
3	685846	Nut	
4	808095	Inner Door Bezel Kit	
5	802803	Door Catch Assembly	
6	801993	Screw	
7	800548	Screw	
8	801019	Screw	
9	802934	Door Hinge	
10	23951	Nut	
11	802700	Glass Mounting Clip	
12	56079	Panel Locator	
13	39733	Screw	
14	802317P	Door Latch/Switch Assembly	
15	802206	Hinge Plate	
16	806466	Wire Ring and Spring	Includes spring
17	802281	Hose Clamp	Door seal to outer tub front
18	802866P	Door Seal Assembly	Black; Includes items 24-26
	802830P	Door Seal Kit	Gray; Includes items 24-26
19	802256	Dispenser-to-Door Seal Hose	
20	55881	Harness Strap	
21	802164	Hose Clamp	
22	687500	Wire Clip	
23	802698	Hose Clamp	
24	802292	Nut	
25	802293	Washer	
26	802291	Boot Nozzle	
27	36020	Nut	
28	D503661	Screw	
29	204552	Front Panel Pad	
30	801045	Screw	
31	D514250WP	Access Panel Assembly	White
	D514250Q	Access Panel Assembly	Bisque
32	802277WP	Front Panel	White
	802277QP	Front Panel	Bisque
33	802617WP	Door Assembly	Includes items 1-11; Models ATE50FWP431AW01 and ATG50FWP301AW01
	804914WP	Door Assembly	White; Includes items 1-11; All other models
	804914QP	Door Assembly	Bisque; Includes items 1-11; All other models

Dispenser Assembly



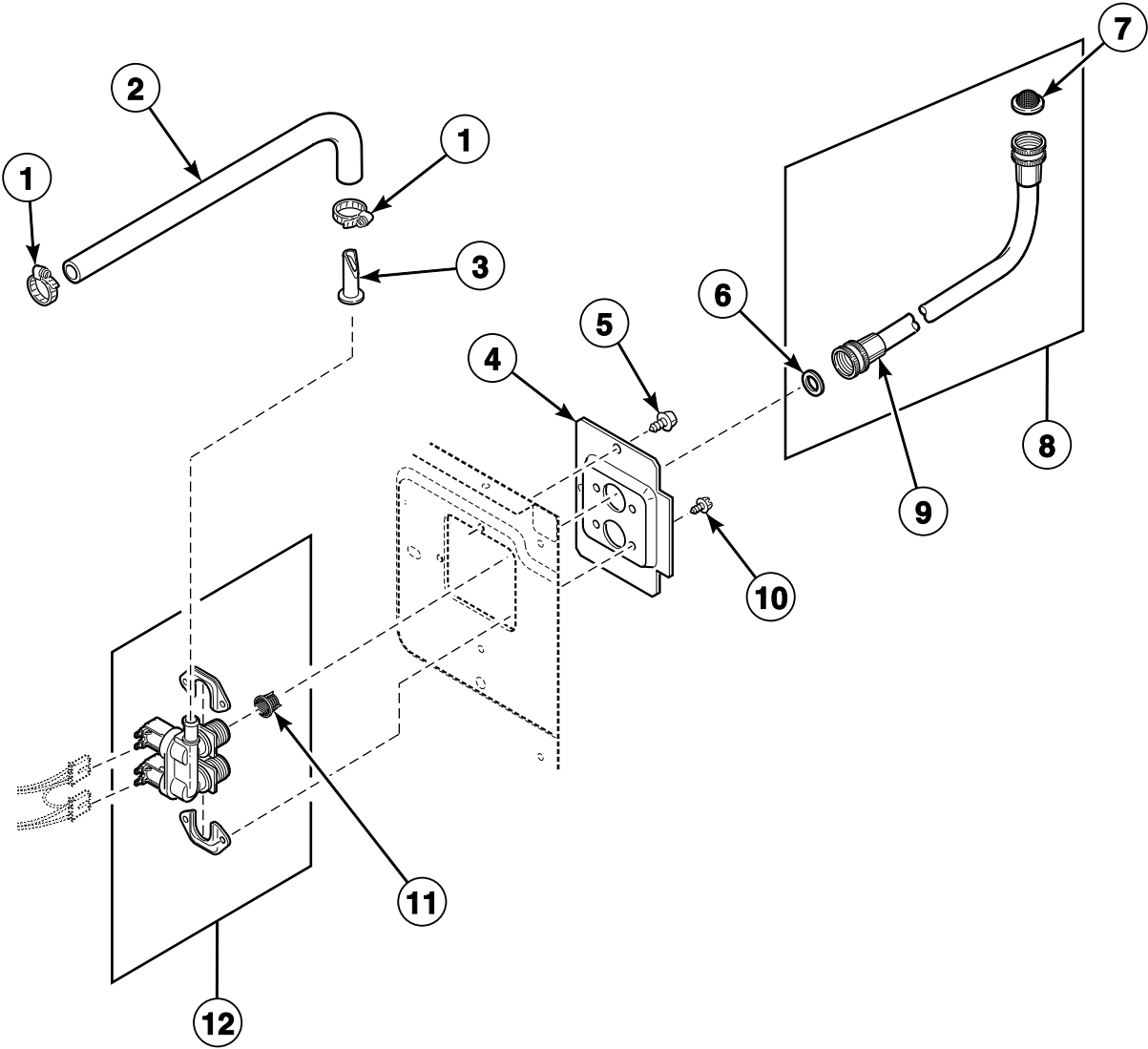
FLW940P_802847

Dispenser Assembly

REF	PART NO.	DESCRIPTION	COMMENTS
1	802293	Washer	
2	802292	Nut	
3	802698	Hose Clamp	
4	687500	Wire Clip	
5	802256	Dispenser-to-Door Seal Hose	
6	55881	Harness Strap	
7	802164	Hose Clamp	
8	801464	Valve-to-Dispenser Inlet Hose	
9	34500	Backflow Preventer	
10	801836P	Valve Kit	Models ATE50FWP431AW01, ATG50FWP301AW01, FTE50FSP301NW01, FTE50FSP301NW10, FTG50FSP301NW10, LTE50FGP541NW23, LTKA6A*N4350, LTL50FGP541NW23, LTSA7A*N3000, LTSA7A*N3300, LTSA7A*N4350, LTSA7A*N4351, LTSA9A*N3000, LTSA9A*N3060 and LTSA9A*N3061
	685766P	Valve Kit	All other models
11	800331	Dispenser-to-Tub Hose	
12	685725	Hose Clamp	
13	F200206	Hose Clamp	
14	801746	Cap	
15	801090P	Dispenser	Includes items 10, 16 and 20; Models ATE50FWP431AW01, ATG50FWP301AW01, FTE50FSP301NW01, FTE50FSP301NW10, FTG50FSP301NW10, LTE50FGP541NW23, LTKA6A*N4350, LTL50FGP541NW23, LTSA7A*N3000, LTSA7A*N3300, LTSA7A*N4350, LTSA7A*N4351, LTSA9A*N3000, LTSA9A*N3060 and LTSA9A*N3061
	685756P	Dispenser	Includes items 10, 16 and 20; All other models
16	801476P	Dispenser Assembly	Includes items 17 and 20
17	685757P	Dispenser Drawer	
18	800548	Screw	
19	685715WP	Dispenser Drawer Front	White
	685715QP	Dispenser Drawer Front	Bisque
20	685716	Insert	
21	800899	Detergent Cover	
22	801024	Dispenser Plate	
23	801001	Screw	
24	802866P	Door Seal Assembly	Black; Includes items 1, 2 and 25
	802830P	Door Seal Kit	Gray; Includes items 1, 2 and 25
25	802291	Boot Nozzle	

* Add Letter To Designate Color. Q - Bisque W - White

Mixing Valve, Valve-to-Dispenser Inlet Hose and Fill Hose



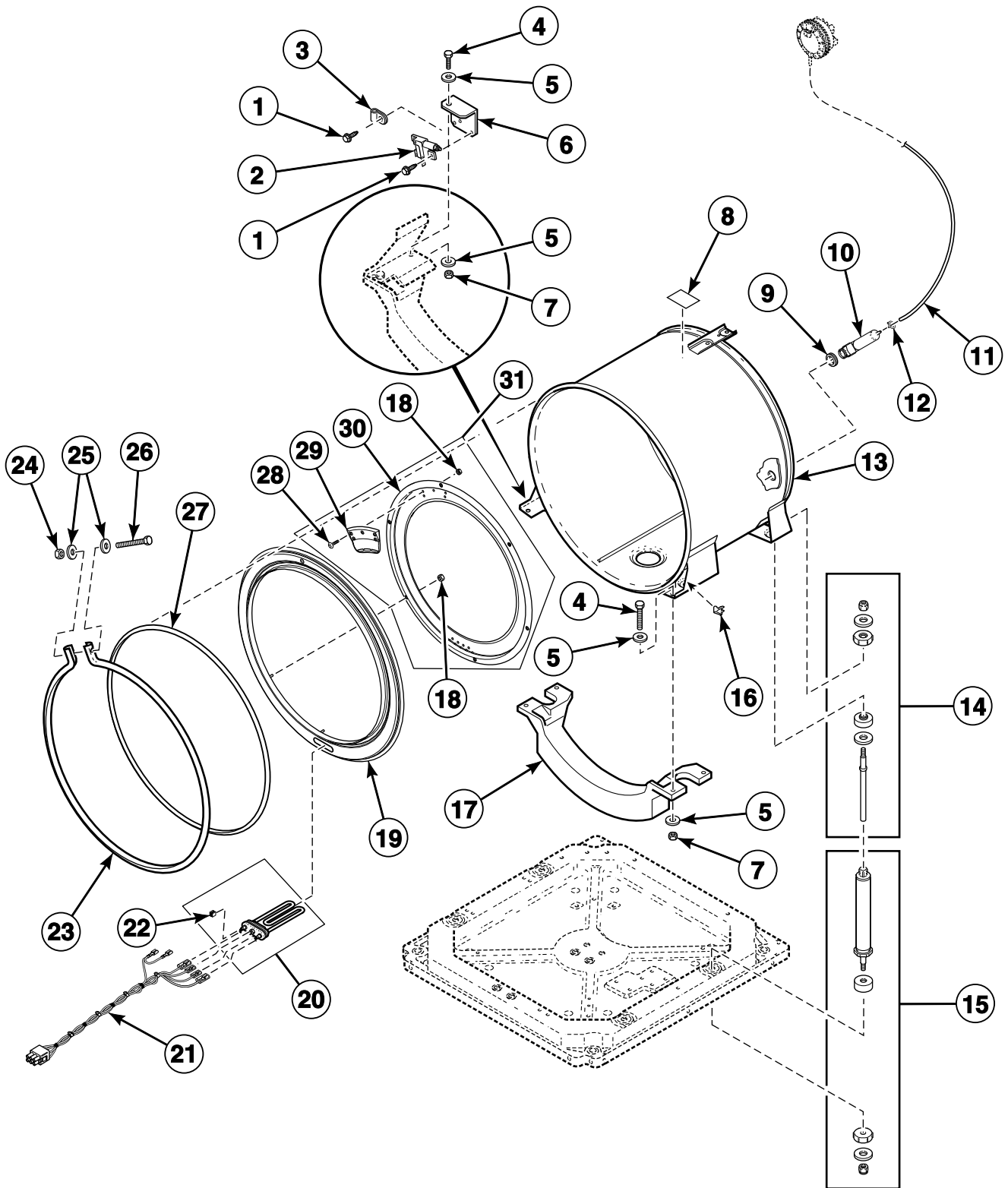
FLW881P_802847

Mixing Valve, Valve-to-Dispenser Inlet Hose and Fill Hose

REF	PART NO.	DESCRIPTION	COMMENTS
1	802164	Hose Clamp	
2	801464	Valve-to-Dispenser Inlet Hose	
3	34500	Backflow Preventer	
4	800323	Mixing Valve Plate	
5	D503661	Screw	
6	20290	Washer	
7	803615	Washer	Filter screen
	802254	Washer	Flow restrictor; Water pressure reducer; Available for water pressure up to but not exceeding 120 psi
8	F200116	Water Hose	5 feet; Hose is equipped with 2 standard hose couplings; Includes 1 each of items 6 and 7
	38349P	Fill Hose Kit	5 feet; Hose is equipped with 1 metric and 1 standard hose coupling; Includes 2 of item 6
9	202800	Fill Hose	Models ATE50FWP431AW01, ATG50FWP301AW01, LTSA7A*N4350 and LTSA7A*N4351
	20617	Fill Hose	8 feet; Hose is equipped with 2 standard hose couplings; All other models
	20618	Fill Hose	10 feet; Hose is equipped with 2 standard hose couplings; All other models
	37380	Fill Hose	8 feet; Hose is equipped with 1 metric and 1 standard hose coupling; All other models
	202931	Fill Hose	10 feet; Hose is equipped with 1 metric and 1 standard hose coupling; All other models
10	D501086	Screw	
11	802926	Mixing Valve Screen	
12	802222P	Mixing Valve	Models ATE50FWP431AW01, ATG50FWP301AW01, FTE50FSP301NW01, FTE50FSP301NW10, FTG50FSP301NW10, LTE50FGP541NW23, LTKA6A*N4350, LTL50FGP541NW23, LTSA7A*N3000, LTSA7A*N3300, LTSA7A*N4350, LTSA7A*N4351, LTSA9A*N3000, LTSA9A*N3060 and LTSA9A*N3061
	802220P	Mixing Valve	All other models

* Add Letter To Designate Color. Q - Bisque W - White

Outer Tub, Front and Clamp Ring



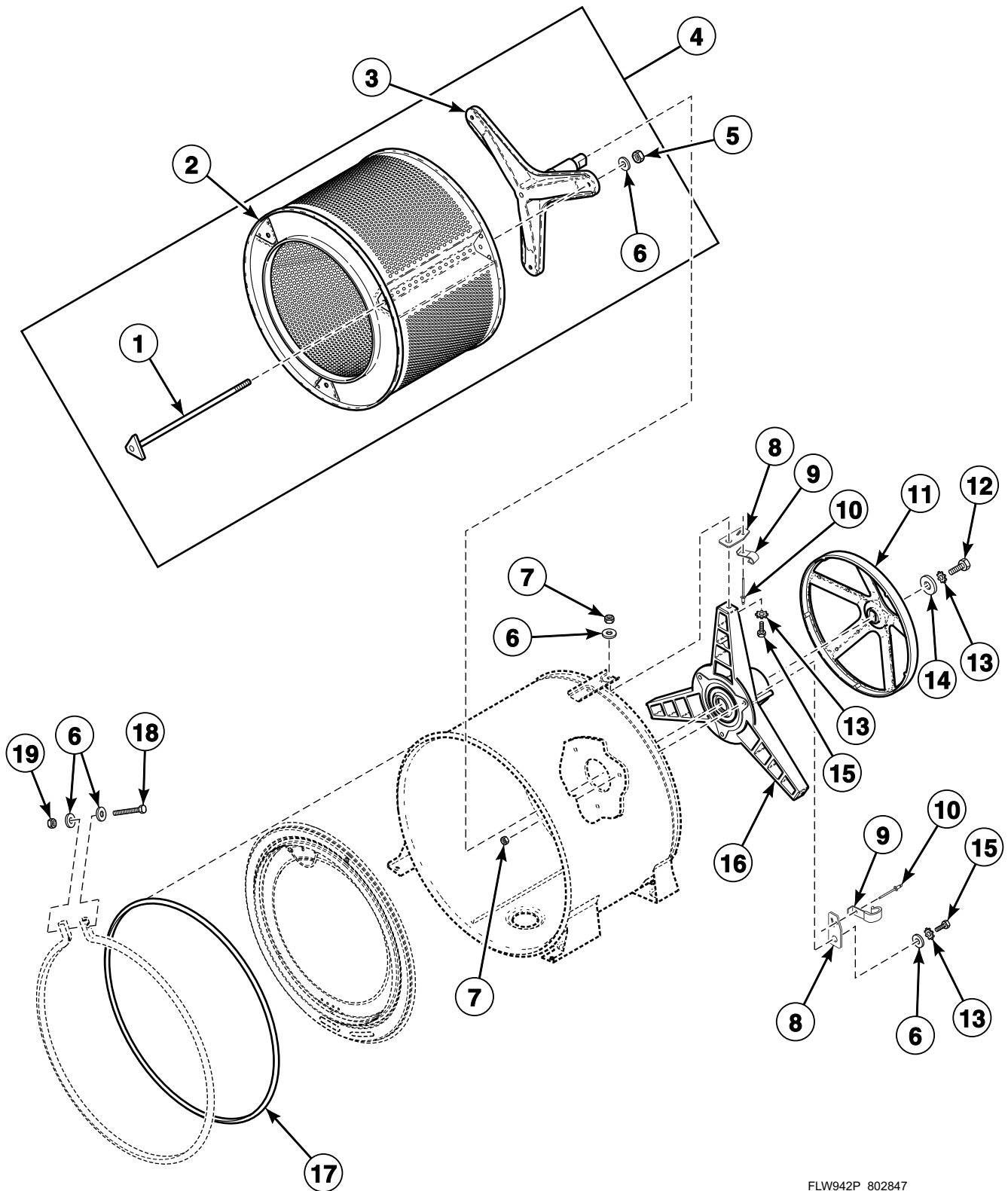
SWD1254P_802847

Outer Tub, Front and Clamp Ring

REF	PART NO.	DESCRIPTION	COMMENTS
1	D503661	Screw	
2	806512	Out-of-Balance Switch Assembly Kit	Models through Serial No. 1201004551
	803415	Out-of-Balance Switch Assembly	Models starting Serial No. 1201004552
3	800811	Wire Clamp	
4	800461	Screw	
5	M400081	Washer	
6	800663	Switch Mounting Bracket	Models through Serial No. 1201004551
	803388	Switch Mounting Bracket	Models starting Serial No. 1201004552
7	800452	Nut	
8	D500314	Warning Label	Models BTE50FSP281CW01, BTG50FSP091CW01, LTUA7A*N2802, LTZA7A*N2802 and LTZA9A*N0902
	F8211201	Electrical Shock Label	Models FTE50FSP301NW01, FTE50FSP301NW10, FTG50FSP301NW10, LTSA7A*N3000, LTSA7A*N3300 and LTSA9A*N3000
	F8615701	Pinched Fingers Label	Models FTE50FSP301NW01, FTE50FSP301NW10, FTG50FSP301NW10, LTSA7A*N3000, LTSA7A*N3300 and LTSA9A*N3000
	D500049	Warning Label	All other models
9	29175	Grommet	
10	205241	Pressure Bulb Assembly	
11	800648P	Tubing	
12	39282	Hose Clamp	
13	801291	Outer Tub Assembly	Model LTKA6A*N4350
	801081P	Outer Tub Assembly	All other models
14	800622P	Tub Shock Absorber Kit	Upper
15	807875	Base Shock Absorber Kit	Lower; Must replace all four
16	00161	Grounding Clip	
17	800205	Ballast Weight	
18	802343	Nut	
19	802259	Tub Front Assembly	Model LTKA6A*N4350
	802258	Tub Front Assembly	All other models
20	804777P	Heating Element	Model LTKA6A*N4350; Includes item 22
21	802322P	Heater Harness Assembly	Model LTKA6A*N4350
22	803256	Thermistor	Model LTKA6A*N4350
23	800312	Clamp Ring	
24	F430218	Nut	
25	800457	Washer	
26	800462	Screw	
27	800432P	Tub Front Seal	
28	802596	Screw	
29	804174P	Clothes Guard Deflector	
	804482	Clothes Guard Deflector	Heavy duty
30	803537	Clothes Guard	
31	804560P	Clothes Guard and Deflector Kit	Includes items 7, 18 and 25-30

* Add Letter To Designate Color. Q - Bisque W - White

Inner Basket, Trunnion, Bearing Housing and Pulley

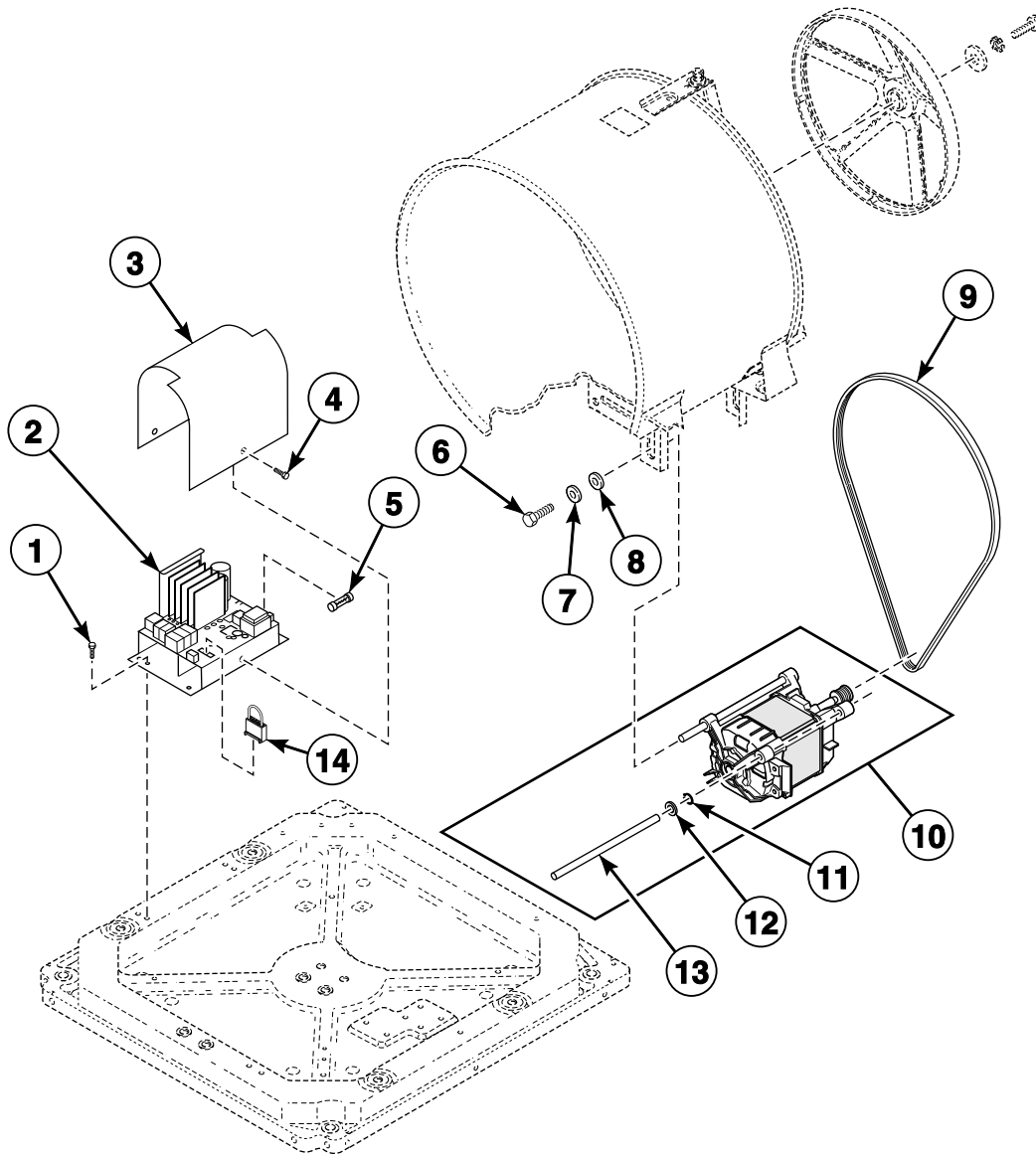


FLW942P_802847

Inner Basket, Trunnion, Bearing Housing and Pulley

REF	PART NO.	DESCRIPTION	COMMENTS
	27604P	Anti-Seize Compound	Pulley to inner basket shaft
	838P3	Hardware Kit	Includes (8) of item 6, (6) of item 13, (6) of item 10, (1) each of items 12, 14, 17, 18, 19 and 27604P Anti-Seize Compound
	RB160001	Bearing Kit	
1	800666	Tension Rod Assembly	
2	803008P	Inner Basket Assembly	
3	800749P	Trunnion Shaft and Hardware Kit	Includes (3) each of items 1, 5, 6, and 838P3 Hardware Kit
4	804322	Inner Basket Assembly	Models LTSA7A*N4351 and LTSA9A*N3061
	802365P	Inner Basket Assembly	All other models
5	803017	Nut	
6	800457	Washer	
7	800452	Nut	
8	800552	Hose Mounting Plate	
9	800553	Hose Clip	
10	685847	Pop Rivet	
11	800866	Driven Pulley	
12	685831	Screw	Left hand thread
13	M403958	Washer	
14	807679	Washer	
15	M400043	Screw	
16	800428P	Bearing Housing Kit	Includes 838P3 Hardware Kit
17	800432P	Tub Front Seal	
18	800462	Screw	
19	F430218	Nut	

Washer Motor and Belt



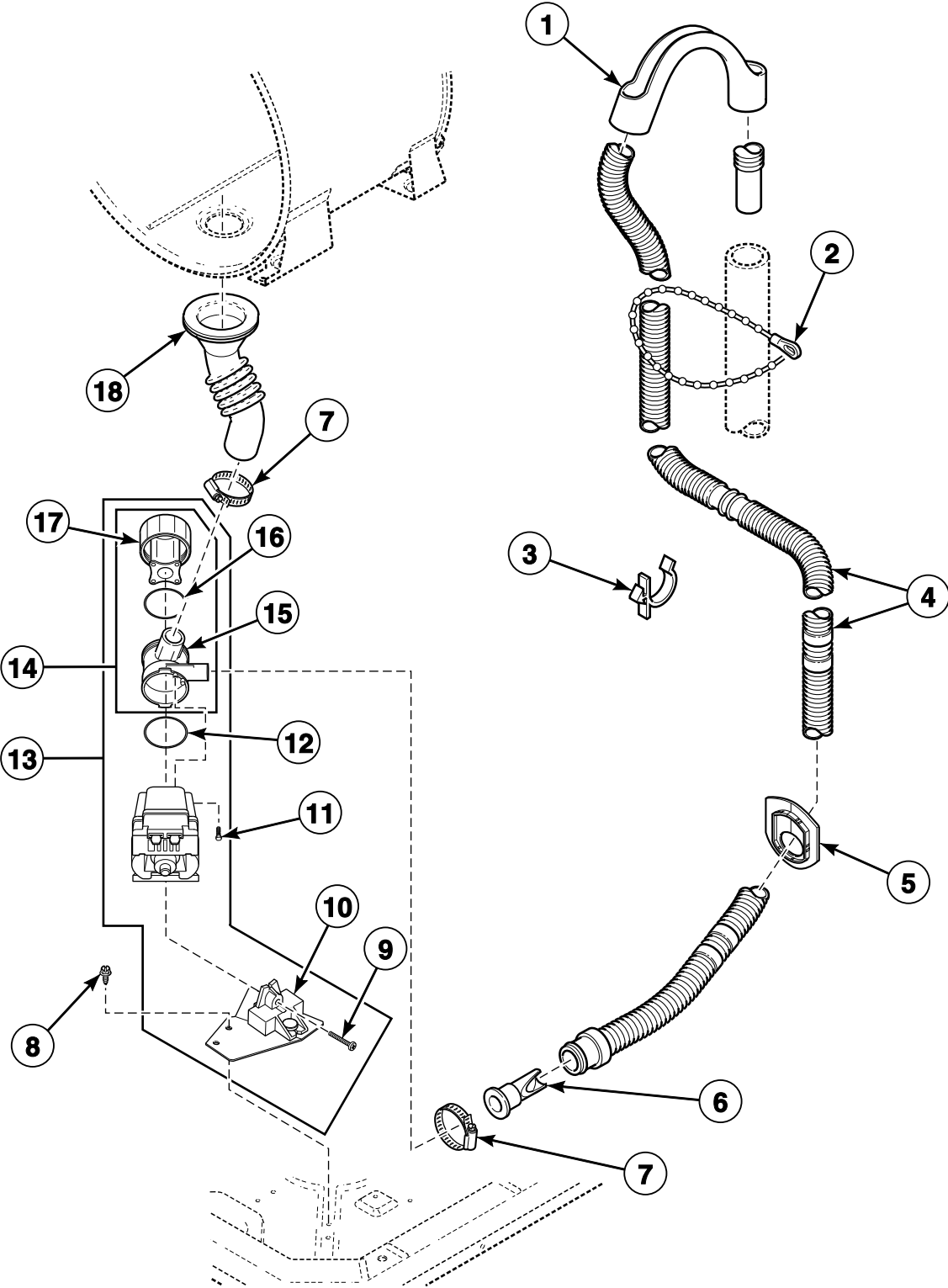
FLW1022P_802847

Washer Motor and Belt

REF	PART NO.	DESCRIPTION	COMMENTS
1	D503661	Screw	
2	803255P	Inverter Control Assembly	240 Volt; Models ATE50FWP431AW01, ATG50FWP301AW01, FTE50FSP301NW01, FTE50FSP301NW10, FTG50FSP301NW10, LTE50FGP541NW23, LTKA6A*N4350, LTL50FGP541NW23, LTSA7A*N3000, LTSA7A*N3300, LTSA7A*N4350, LTSA7A*N4351, LTSA9A*N3000, LTSA9A*N3060 and LTSA9A*N3061
	803254P	Inverter Control Assembly	120 Volt; All other models
3	804738	Control Shield	Models ATE50FWP431AW01, ATG50FWP301AW01, LTSA7A*N4350, LTSA7A*N4351, LTSA9A*N3060 and LTSA9A*N3061
	801061	Control Shield	All other models
4	D501524	Screw	
5	801755	Fuse	10 Amp; Slow blow
6	M400057	Screw	
7	02834	Washer	
8	M400080	Washer	
9	800319P	Drive Belt	
10	801684P	Motor and Rod Assembly Kit	Includes 2 each of items 11-13 and wire ties
11	23748	Retaining Ring	
12	52549	Washer	
13	801062	Motor Mount Rod	
14	D513316	Jumper Harness	Use to limit spin RPM on inverter controls starting Serial No. 0911014603; 240 Volt; Models ATE50FWP431AW01, ATG50FWP301AW01, FTE50FSP301NW01, FTE50FSP301NW10, FTG50FSP301NW10, LTE50FGP541NW23, LTKA6A*N4350, LTL50FGP541NW23, LTSA7A*N3000, LTSA7A*N3300, LTSA7A*N4350, LTSA7A*N4351, LTSA9A*N3000, LTSA9A*N3060 and LTSA9A*N3061
	D513268	Jumper Harness	Use to limit spin RPM on inverter controls starting Serial No. 0911014603; 120 Volt; All other models

* Add Letter To Designate Color. Q - Bisque W - White

Drain Hose and Pump



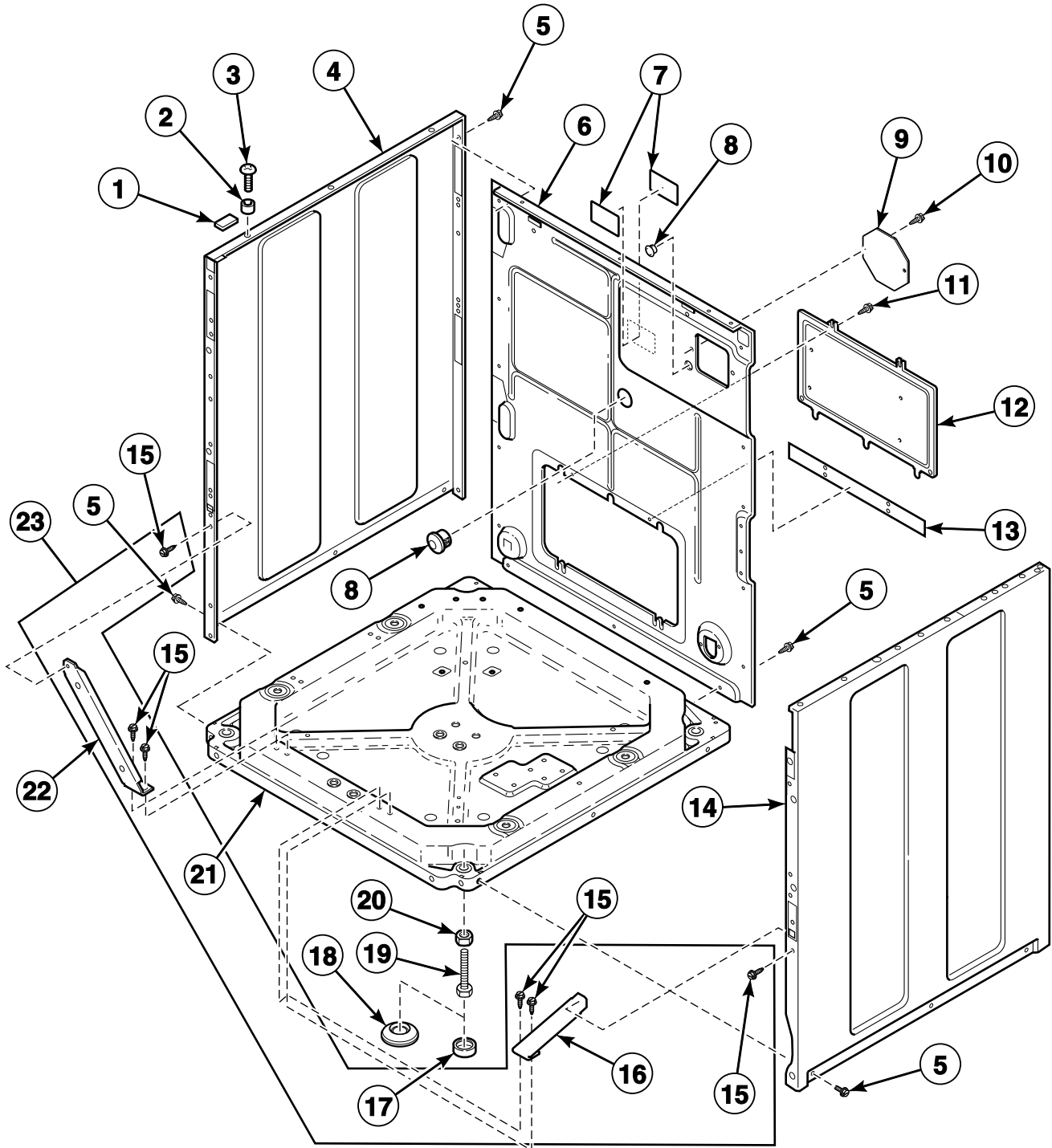
FLW951P_802847

Drain Hose and Pump

REF	PART NO.	DESCRIPTION	COMMENTS
1	33615	Drain Hose Sleeve	
2	33489	Standpipe Strap	
3	36014	Retainer Clip	
4	685730	Drain Hose	
5	32219	Strain Relief	
6	800310	Backflow Preventer	
7	F200204	Hose Clamp	
8	D503661	Screw	
9	802430	Screw	
10	802626	Pump Mount Bracket	
11	802431	Screw	
12	802429P	O-Ring	
13	802625P	Drain Pump	Models LTE50FGP541NW23, LTL50FGP541NW23 and LTSA7A*N3300
	802624P	Drain Pump	Models ATE50FWP431AW01, ATG50FWP301AW01, FTE50FSP301NW01, FTE50FSP301NW10, FTG50FSP301NW10, LTKA6A*N4350, LTSA7A*N3000, LTSA7A*N4350, LTSA7A*N4351, LTSA9A*N3000, LTSA9A*N3060 and LTSA9A*N3061
	802623P	Drain Pump	All other models
14	802434P	Pump Housing Assembly	Includes items 15-17
15	802428	Pump Housing	
16	802427	Gasket	
17	802426P	Lid Assembly	Includes filter
18	800317	Tub-to-Pump Hose	
	27615P	Sealant	Tub-to-pump hose to outer tub
	985P3	Drain Kit	Includes 803344 Tub-to-Pump Hose with Trap, 90554 Hose Clamp, 803400 Cap and 27615P Sealant

* Add Letter To Designate Color. Q - Bisque W - White

Washer Base, Panels and Rear Panel



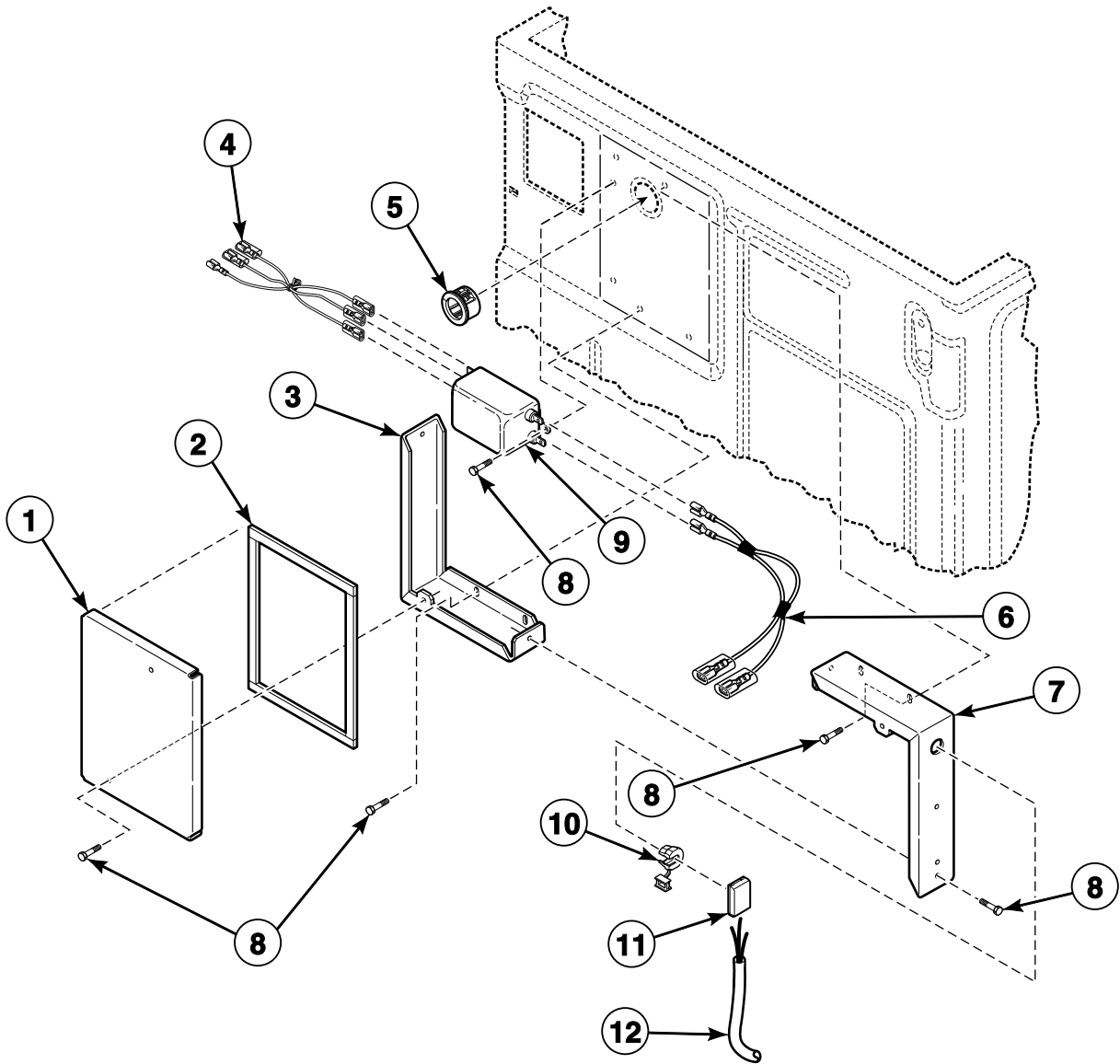
SWD1206P_802847

Washer Base, Panels and Rear Panel

REF	PART NO.	DESCRIPTION	COMMENTS
1	36226	Bumper Pad	
2	56079	Panel Locator	
3	39733	Screw	
4	800004WP	Cabinet Panel Kit	White; Left; Includes corner gusset with hardware
	800004QP	Cabinet Panel Kit	Bisque; Left; Includes corner gusset with hardware
5	D503661	Screw	
6	800010P	Rear Panel	
7	685928	Left Hand Thread Label	
8	M412154	Hole Plug	
9	61203	Thermostat Opening Cover	Model LTSA7A*N2989
10	M405188	Screw	Model LTSA7A*N2989
11	430497	Screw	
12	800011	Rear Access Panel	
13	801702	Motor Access Hole Edging	
14	806492	Side Panel Kit	White; Right; Includes 801024 Dispenser Plate with hardware
	800005QP	Side Panel Kit	Bisque; Right; Includes 801024 Dispenser Plate with hardware
15	31645	Screw	
16	801492	Cabinet Brace	Right
17	34318	Rubber Foot	
18	802844P	Anchor Floor Mount Assembly	Includes 2 rubber discs with adhesive backing
19	34319	Leveling Leg	
20	21899	Nut	
21	803876	Base Assembly	
22	801491	Cabinet Brace	Left
23	918P3	Brace Kit	Includes items 15, 16 and 22

Junction Box

Models ATE50FWP431AW01, ATG50FWP301AW01, FTE50FSP301NW01, FTE50FSP301NW10, FTG50FSP301NW10, LTE50FGP541NW23, LTG50FSP081JW01, LTKA6A*N4350, LTL50FGP541NW23, LTSA7A*N3000, LTSA7A*N3300, LTSA7A*N4350, LTSA7A*N4351, LTSA9A*N3000, LTSA9A*N3060 and LTSA9A*N3061



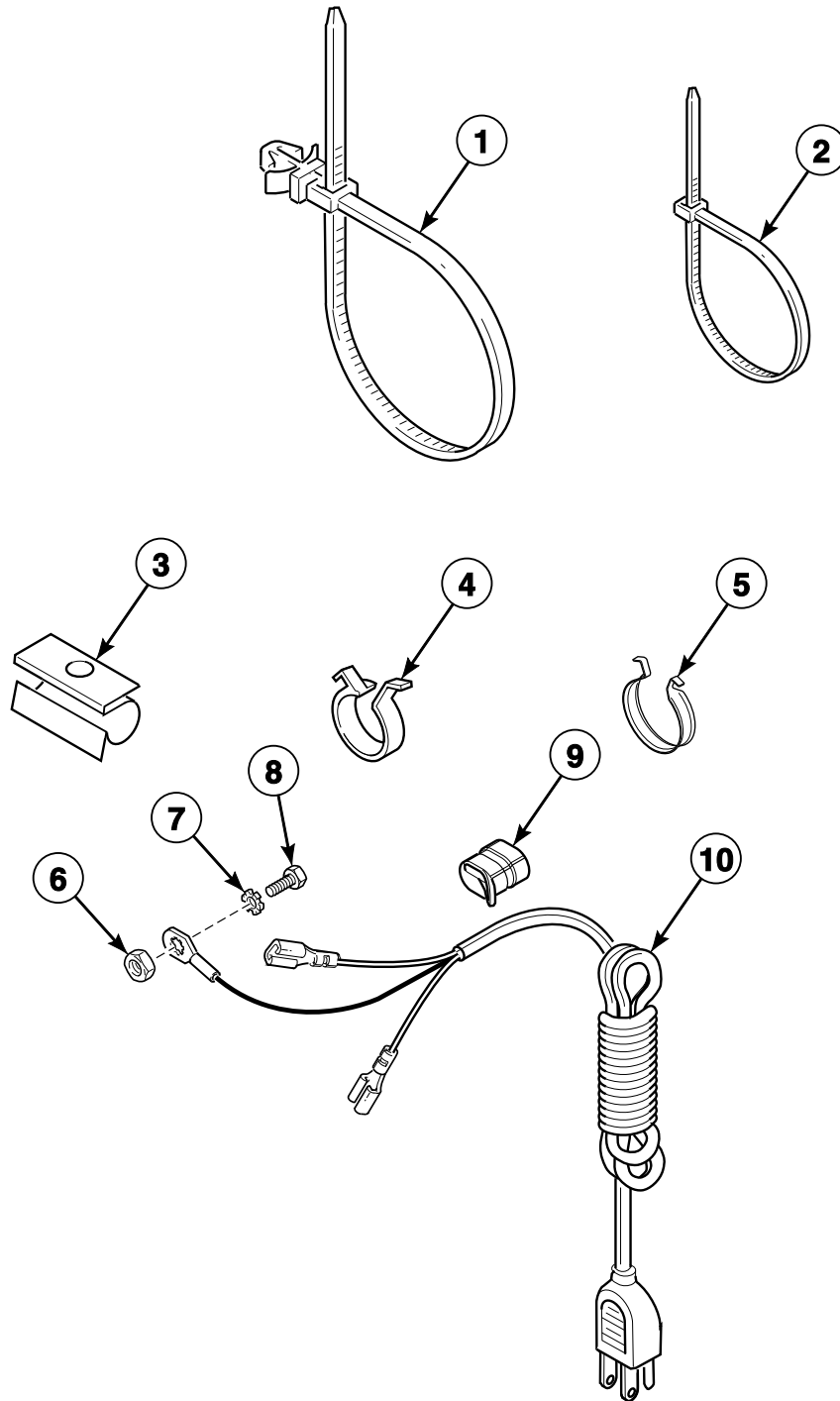
FLW1693P_802847

Junction Box

REF	PART NO.	DESCRIPTION	COMMENTS
1	801404	Junction Box Cover	
2	801425P	Junction Box Seal	4 required
3	801433	Lower Junction Box	
4	808048	Filter Jumper Harness	Line filter to power cord terminal block; All models except LTG50FSP081JW01
5	M402542	Snap Bushing	All models except LTG50FSP081JW01
6	802013	Wire Harness Assembly	Line filter to control harness; Model LTG50FSP081JW01
	801421	Wire Harness Assembly	Line filter to control harness; All other models
7	804360	Junction Box	Model LTG50FSP081JW01
	801403	Junction Box	All other models
8	D503661	Screw	
9	201058	Line Filter	
10	60298	Strain Relief	Model LTG50FSP081JW01
11	39922	Cable Connection Box	All models except LTG50FSP081JW01
12	808047	Power Cord Assembly	Models ATE50FWP431AW01, ATG50FWP301AW01, LTSA7A*N4350, LTSA7A*N4351, LTSA9A*N3060 and LTSA9A*N3061; Includes plug
	201574	Lead-In Cord	Model LTKA6A*N4350
	801660	Power Cord Assembly	Models LTE50FGP541NW23 and LTL50FGP541NW23
	801450	Power Cord Assembly	Models FTE50FSP301NW01, FTE50FSP301NW10, FTG50FSP301NW10, LTSA7A*N3000, LTSA7A*N3300 and LTSA9A*N3000
	204061	Power Cord Assembly	Model LTG50FSP081JW01

* Add Letter To Designate Color. Q - Bisque W - White

Wire Ties and Harness Clips

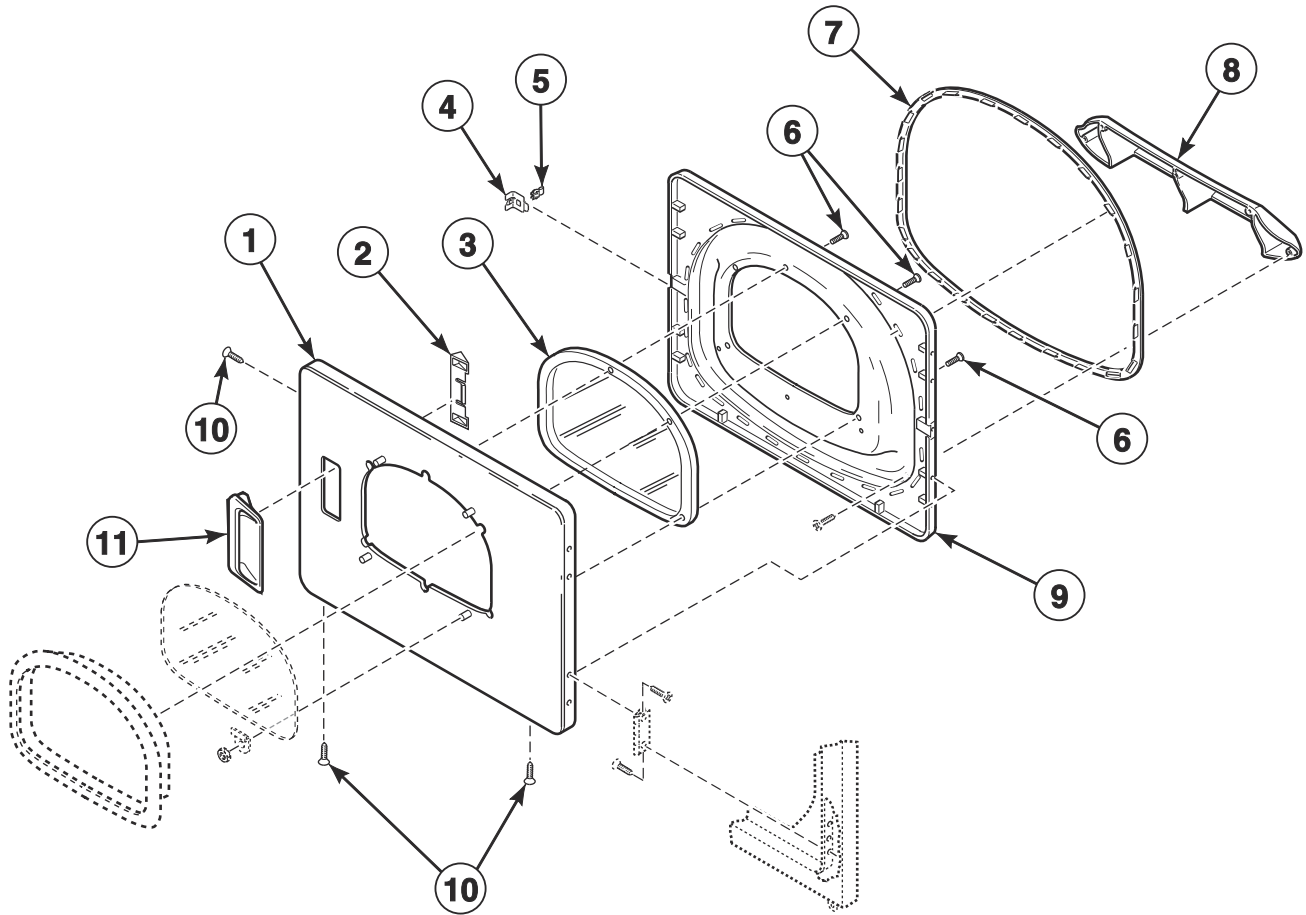


FLW823P_802847

Wire Ties and Harness Clips

REF	PART NO.	DESCRIPTION	COMMENTS
1	38663	Wire Tie	
2	55881	Harness Strap	
3	36985	Hose Clip	
4	D504034	Wire Clip	Small
5	687500	Wire Clip	Large
6	03673	Nut	Models BTE50FSP171TW01, BTG50FSP111TW01, LTSA7A*N, LTSA7A*N1500, LTSA9A*N, LTUA7A*N, LTUA9A*N, LTZA7A*N, LTZA9A*N, UTE50FSP171TW08 and UTG50FSP111TW08
7	03815	Washer	Models BTE50FSP171TW01, BTG50FSP111TW01, LTSA7A*N, LTSA7A*N1500, LTSA9A*N, LTUA7A*N, LTUA9A*N, LTZA7A*N, LTZA9A*N, UTE50FSP171TW08 and UTG50FSP111TW08
8	685837	Screw	Models BTE50FSP171TW01, BTG50FSP111TW01, LTSA7A*N, LTSA7A*N1500, LTSA9A*N, LTUA7A*N, LTUA9A*N, LTZA7A*N, LTZA9A*N, UTE50FSP171TW08 and UTG50FSP111TW08
9	38384	Strain Relief	Models BTE50FSP171TW01, BTG50FSP111TW01, LTSA7A*N, LTSA7A*N1500, LTSA9A*N, LTUA7A*N, LTUA9A*N, LTZA7A*N, LTZA9A*N, UTE50FSP171TW08 and UTG50FSP111TW08
10	34458	Lead-In Cord	Models BTE50FSP171TW01, BTG50FSP111TW01, LTSA7A*N, LTSA7A*N1500, LTSA9A*N, LTUA7A*N, LTUA9A*N, LTZA7A*N, LTZA9A*N, UTE50FSP171TW08 and UTG50FSP111TW08

Dryer Loading Door with Window (Drawing 1 of 2)

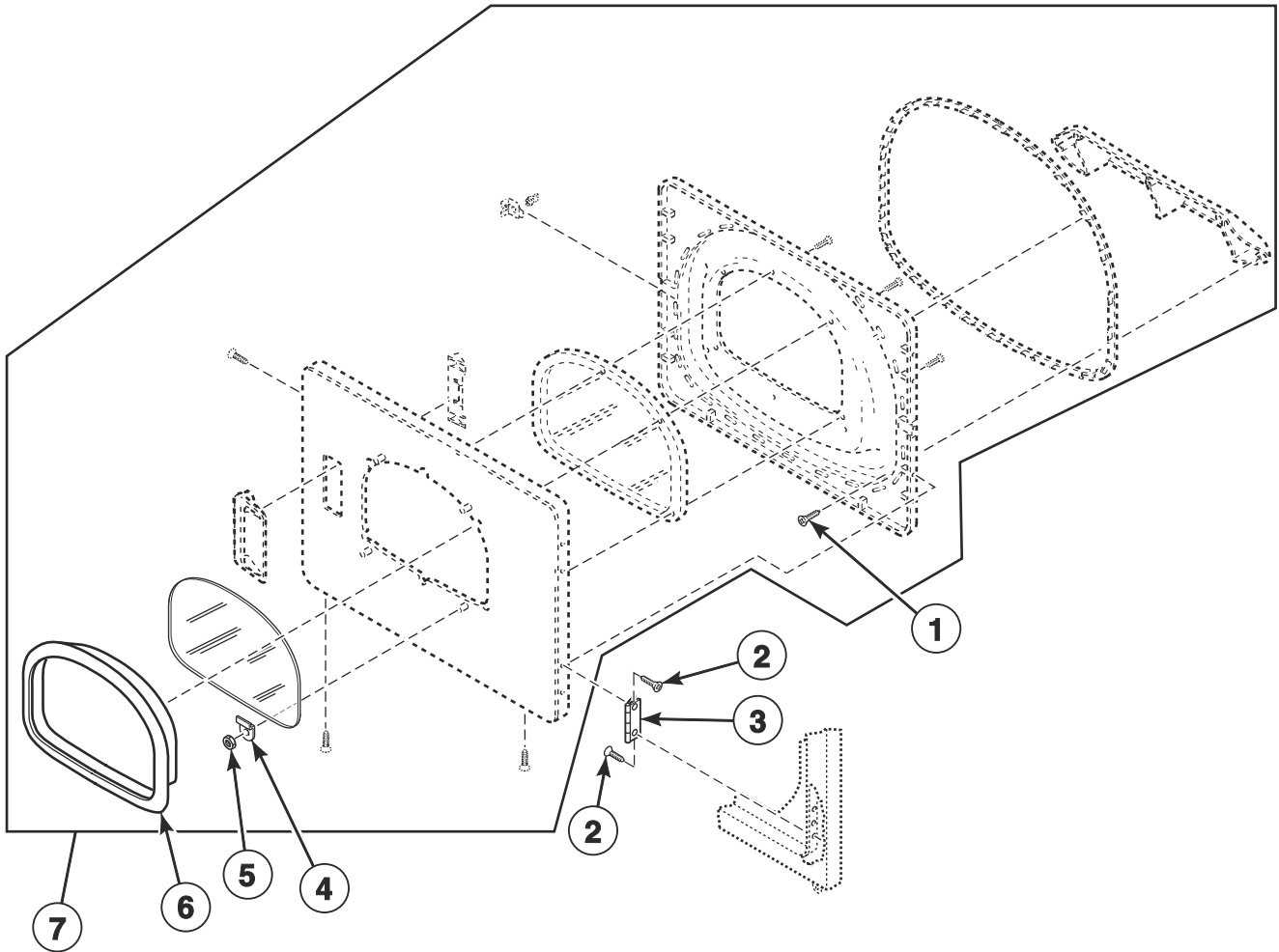


DRY2296P_802847

Dryer Loading Door with Window (Drawing 1 of 2)

REF	PART NO.	DESCRIPTION	COMMENTS
1	D516737W	Door Assembly	White; Models BTE50FSP171TW01, BTE50FSP281CW01, LTSA7A*N, LTSA7A*N1500, LTSA7A*N2989, LTUA7A*N, LTUA7A*N2802, LTZA7A*N, LTZA7A*N2802 and UTE50FSP171TW08 starting Serial No. 1303025315
	D514114Q	Dryer Door Assembly	Bisque; Models BTE50FSP171TW01, BTE50FSP281CW01, LTSA7A*N, LTSA7A*N1500, LTSA7A*N2989, LTUA7A*N, LTUA7A*N2802, LTZA7A*N, LTZA7A*N2802 and UTE50FSP171TW08 starting Serial No. 1303025315
	D510082WP	Dryer Door	White; Models BTE50FSP171TW01, BTE50FSP281CW01, LTSA7A*N, LTSA7A*N1500, LTSA7A*N2989, LTUA7A*N, LTUA7A*N2802, LTZA7A*N, LTZA7A*N2802, UTE50FSP171TW08 through Serial No. 1303025314; All other models
	D510082QP	Dryer Door	Bisque; Models BTE50FSP171TW01, BTE50FSP281CW01, LTSA7A*N, LTSA7A*N1500, LTSA7A*N2989, LTUA7A*N, LTUA7A*N2802, LTZA7A*N, LTZA7A*N2802, UTE50FSP171TW08 through Serial No. 1303025314; All other models
2	D510129W	Door Handle Wedge	
3	D503982P	Dryer Door Window	
4	D510127	Door Strike Mount	
5	D510181	Door Strike	
6	D505870	Screw	
7	D510147P	Liner Door Seal	
8	D503870LG	Door Liner Grill	Models BTE50FSP171TW01, BTE50FSP281CW01, LTSA7A*N, LTSA7A*N1500, LTSA7A*N2989, LTUA7A*N, LTUA7A*N2802, LTZA7A*N, LTZA7A*N2802 and UTE50FSP171TW08 starting Serial No. 1303025315
	D503870W	Door Liner Grill	Models BTE50FSP171TW01, BTE50FSP281CW01, LTSA7A*N, LTSA7A*N1500, LTSA7A*N2989, LTUA7A*N, LTUA7A*N2802, LTZA7A*N, LTZA7A*N2802, UTE50FSP171TW08 through Serial No. 1303025314; All other models
9	D516509	Liner and Seal Assembly	Includes item 7; Models BTE50FSP171TW01, BTE50FSP281CW01, LTSA7A*N, LTSA7A*N1500, LTSA7A*N2989, LTUA7A*N, LTUA7A*N2802, LTZA7A*N, LTZA7A*N2802, UTE50FSP171TW08 through Serial No. 1303025314; All other models
10	D500226	Screw	
11	D510103WP	Door Pull and Wedge Kit	Includes item 2

Dryer Loading Door with Window (Drawing 2 of 2)

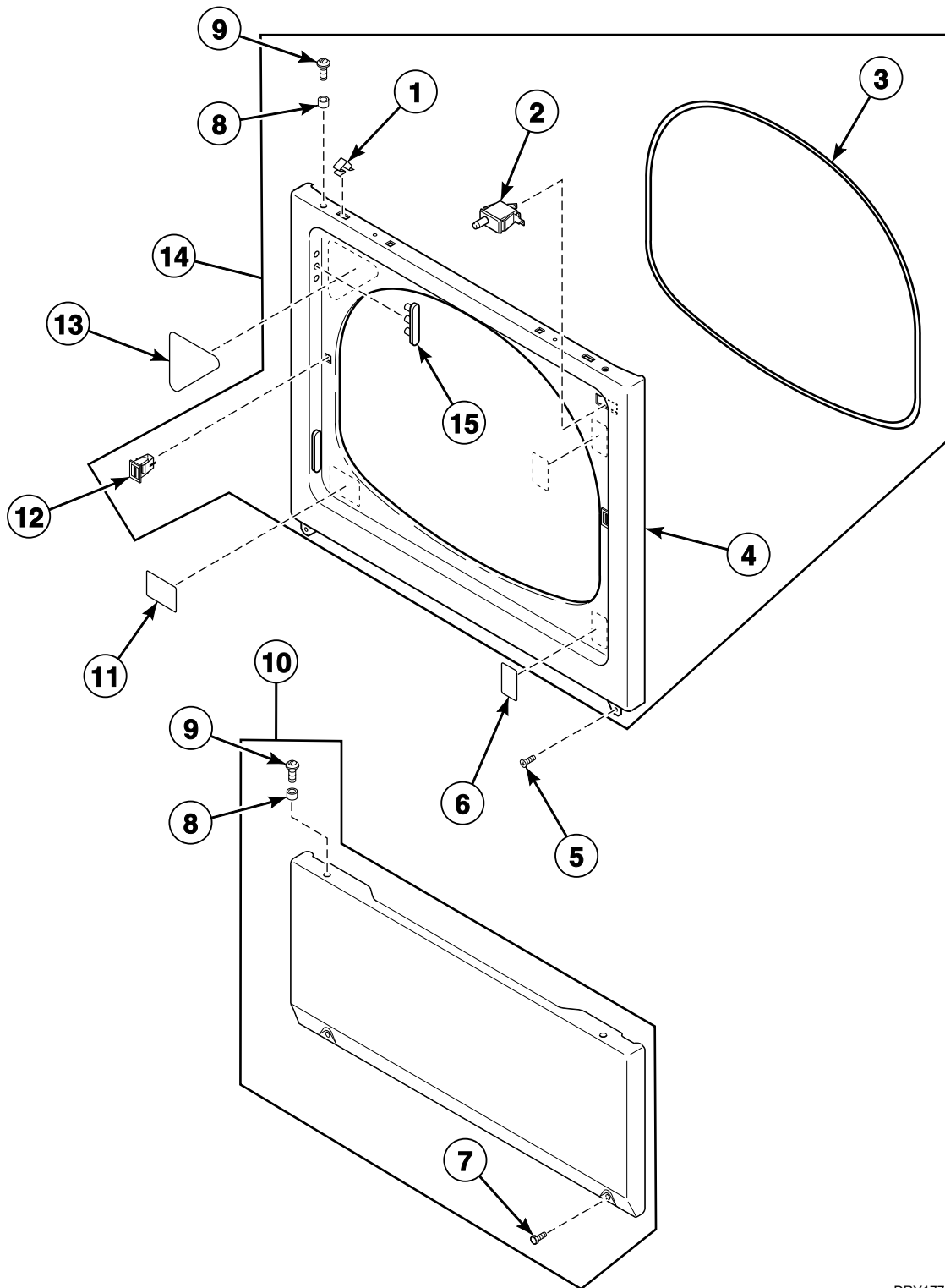


DRY2296PA

Dryer Loading Door with Window (Drawing 2 of 2)

REF	PART NO.	DESCRIPTION	COMMENTS
1	D505870	Screw	
2	D505295	Screw	
3	D511036	Hinge	
4	D513958	Window Clip	Models BTE50FSP171TW01, BTE50FSP281CW01, LTSA7A*N, LTSA7A*N1500, LTSA7A*N2989, LTUA7A*N, LTUA7A*N2802, LTZA7A*N, LTZA7A*N2802 and UTE50FSP171TW08 starting Serial No. 1303025315
5	44071201	Nut	Models BTE50FSP171TW01, BTE50FSP281CW01, LTSA7A*N, LTSA7A*N1500, LTSA7A*N2989, LTUA7A*N, LTUA7A*N2802, LTZA7A*N, LTZA7A*N2802 and UTE50FSP171TW08 starting Serial No. 1303025315
6	D512633	Window Trim	Gray; Models ATE50FWP431AW01 and ATG50FWP301AW01
	D513960Q	Window Trim	Bisque; Models BTE50FSP171TW01, BTE50FSP281CW01, LTSA7A*N, LTSA7A*N1500, LTSA7A*N2989, LTUA7A*N, LTUA7A*N2802, LTZA7A*N, LTZA7A*N2802 and UTE50FSP171TW08 starting Serial No. 1303025315
	D503981W	Window Trim	White; Models BTE50FSP171TW01, BTE50FSP281CW01, LTSA7A*N, LTSA7A*N1500, LTSA7A*N2989, LTUA7A*N, LTUA7A*N2802, LTZA7A*N, LTZA7A*N2802, UTE50FSP171TW08 through Serial No. 1303025314; All other models
	D503981Q	Window Trim	Bisque; Models BTE50FSP171TW01, BTE50FSP281CW01, LTSA7A*N, LTSA7A*N1500, LTSA7A*N2989, LTUA7A*N, LTUA7A*N2802, LTZA7A*N, LTZA7A*N2802, UTE50FSP171TW08 through Serial No. 1303025314; All other models
7	D511636WP	Door and Liner Assembly	White; Includes items on <i>Dryer Loading Door with Window (Drawing 1 of 2)</i> and items 1 and 4-7; Models BTE50FSP171TW01, BTE50FSP281CW01, LTSA7A*N, LTSA7A*N1500, LTSA7A*N2989, LTUA7A*N, LTUA7A*N2802, LTZA7A*N, LTZA7A*N2802, UTE50FSP171TW08 through Serial No. 1303025314; All other models
	D511636QP	Door and Liner Assembly	Bisque; Includes items on <i>Dryer Loading Door with Window (Drawing 1 of 2)</i> and items 1 and 4-7; Models BTE50FSP171TW01, BTE50FSP281CW01, LTSA7A*N, LTSA7A*N1500, LTSA7A*N2989, LTUA7A*N, LTUA7A*N2802, LTZA7A*N, LTZA7A*N2802, UTE50FSP171TW08 through Serial No. 1303025314; All other models

Dryer Access Panel, Front Panel and Seal



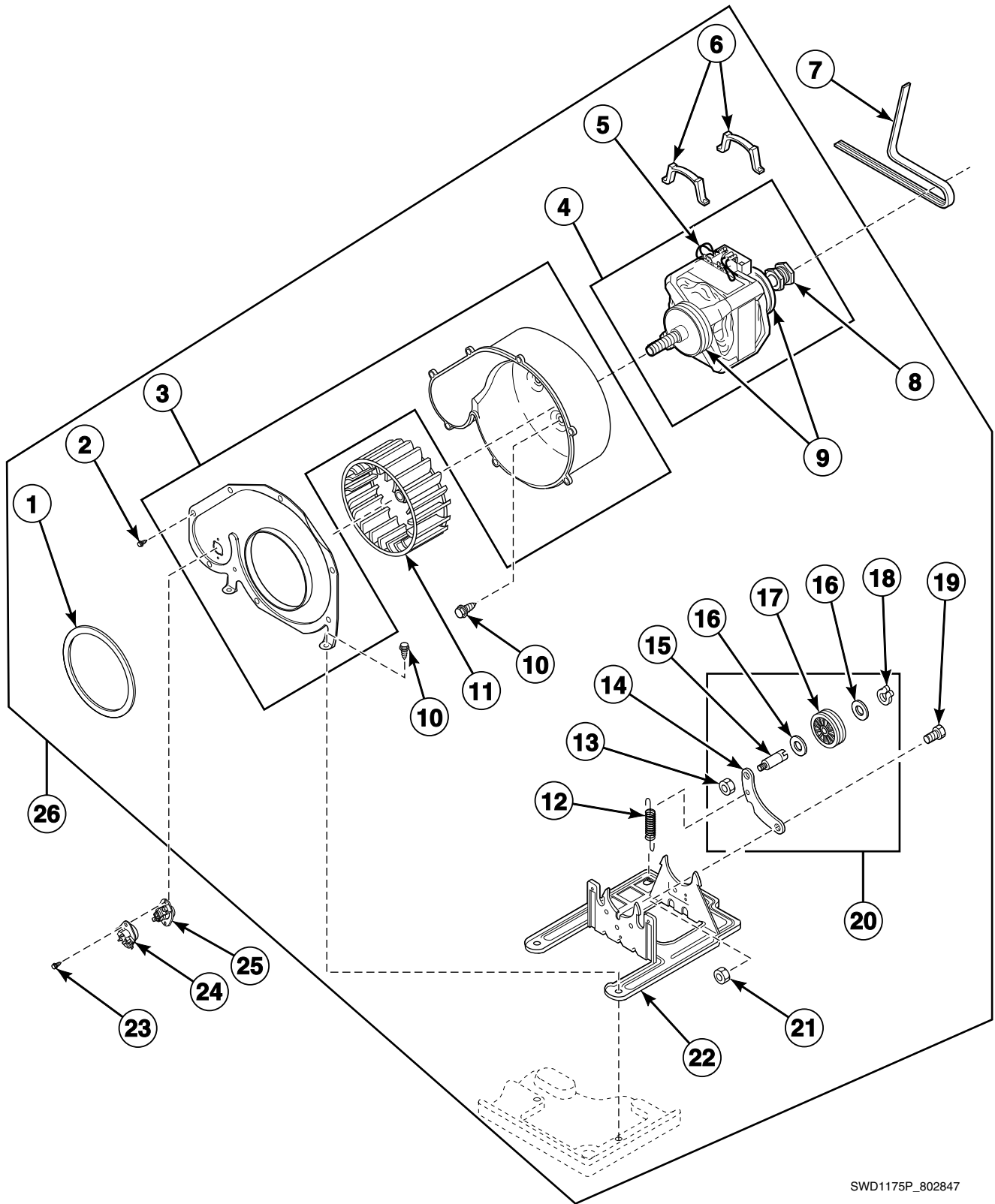
DRY1776P_802847

Dryer Access Panel, Front Panel and Seal

REF	PART NO.	DESCRIPTION	COMMENTS
1	28835	Speed Clip	
2	D512973	Switch	
3	D511056	Front Panel Seal	
4	D510066WP	Front Panel	White
	D510066QP	Front Panel	Bisque
5	D503688	Screw	
6	D512263	Warning Label	Models ATE50FWP431AW01, ATG50FWP301AW01, LTKA6A*N4350, LTSA7A*N4350, LTSA7A*N4351, LTSA9A*N3060 and LTSA9A*N3061
7	33562	Screw	Slotted hex head
	62853	Screw	Torx head; Optional for added security
8	56079	Panel Locator	
9	39733	Screw	
10	D514252Q	Access Panel and Guard Assembly	Bisque; Includes items 7-9; Models BTE50FSP171TW01, BTE50FSP281CW01, LTSA7A*N, LTSA7A*N1500, LTSA7A*N2989, LTUA7A*N, LTUA7A*N2802, LTZA7A*N, LTZA7A*N2802 and UTE50FSP171TW08 starting Serial No. 1303025315
	D514250WP	Access Panel Assembly	White; Includes items 7-9; Models BTE50FSP171TW01, BTE50FSP281CW01, LTSA7A*N, LTSA7A*N1500, LTSA7A*N2989, LTUA7A*N, LTUA7A*N2802, LTZA7A*N, LTZA7A*N2802, UTE50FSP171TW08; All other models
	D514250Q	Access Panel Assembly	Bisque; Includes items 7-9; Models BTE50FSP171TW01, BTE50FSP281CW01, LTSA7A*N, LTSA7A*N1500, LTSA7A*N2989, LTUA7A*N, LTUA7A*N2802, LTZA7A*N, LTZA7A*N2802, UTE50FSP171TW08 through Serial No. 1303025314; All other models
11	D502804	Lint Filter Label	Models ATE50FWP431AW01, ATG50FWP301AW01, LTKA6A*N4350, LTSA7A*N4350, LTSA7A*N4351, LTSA9A*N3060 and LTSA9A*N3061
12	D510177	Door Catch Assembly	
13	D500253	Caution Label	Models BTE50FSP281CW01, BTG50FSP091CW01, LTUA7A*N2802, LTZA7A*N2802 and LTZA9A*N0902
	D500281	Warning/Caution Label	All other models
14	D513781WP	Front Panel Assembly	Includes items 1-4, 9, 10, 12, 15 and D516737W Door Assembly, (2) D511036 Door Hinge and (8) D500226 Screw
15	D510186	Hinge Hole Plug	

* Add Letter To Designate Color. Q - Bisque W - White

Dryer Motor, Exhaust Fan and Belt



SWD1175P_802847

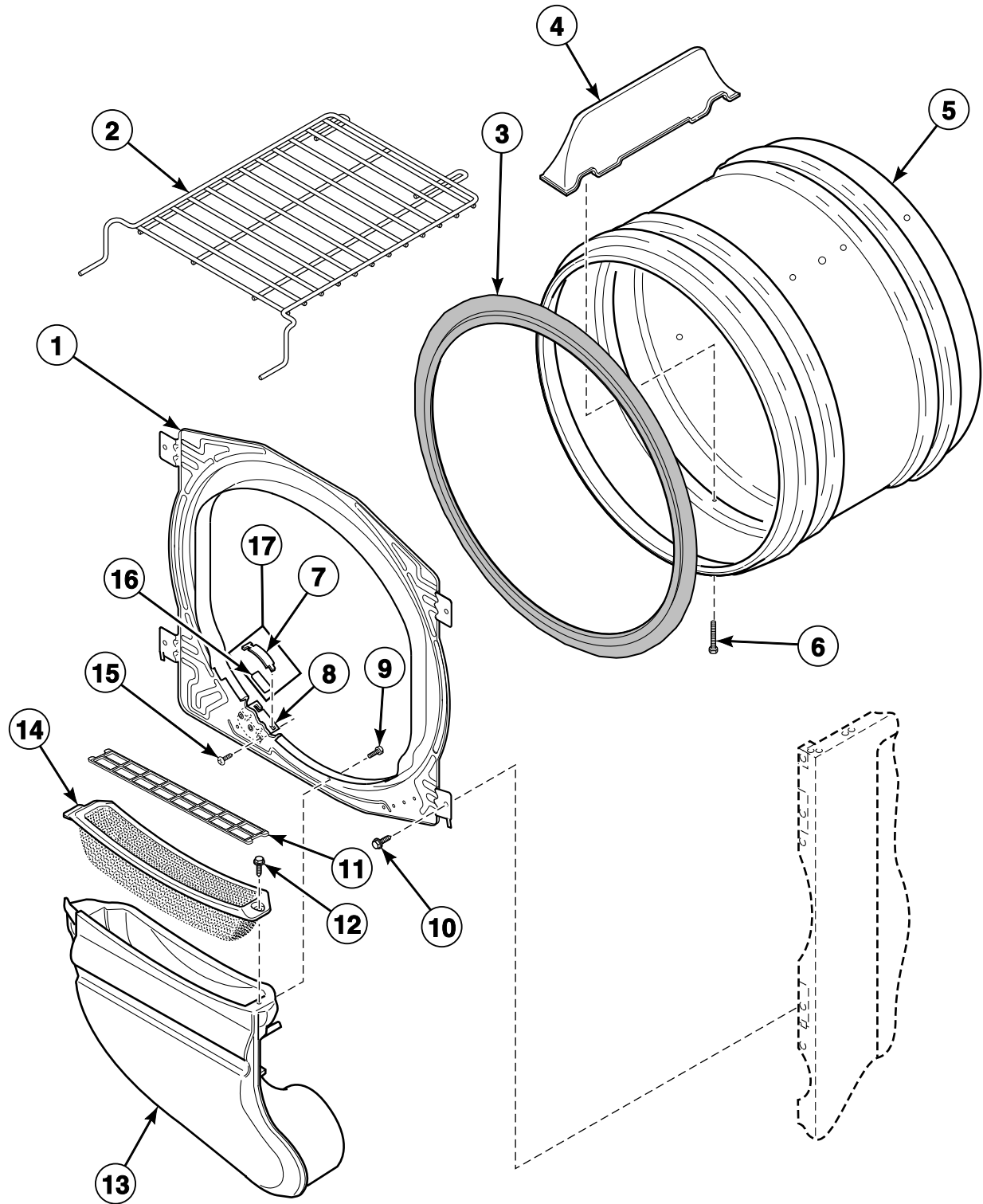
Dryer Motor, Exhaust Fan and Belt

REF	PART NO.	DESCRIPTION	COMMENTS
1	D510238P	Blower Housing Seal	
2	31260	Screw	
3	D511969WP	Blower Housing	
4	D505869P	Motor and Pulley Assembly	240 Volt/60 Hertz; Includes items 5, 8 and 9; Models LTE50FGP541NW23, LTL50FGP541NW23 and LTSA7A*N3300
	D505843P	Motor and Pulley Assembly	240 Volt/50 Hertz; Includes items 5, 8 and 9; Models ATE50FWP431AW01, ATG50FWP301AW01, FTE50FSP301NW01, FTE50FSP301NW10, FTG50FSP301NW10, LTKA6A*N4350, LTSA7A*N3000, LTSA7A*N4350, LTSA7A*N4351, LTSA9A*N3000, LTSA9A*N3060 and LTSA9A*N3061
	D511629P	Motor and Pulley Assembly	120 Volt/60 Hertz; Includes items 5, 8 and 9; All other models
5	N/A	Motor Switch Kit	Does not include thermal protector
6	D510180	Motor Mount Clamp	
7	D511255P	Cylinder Belt	
8	D500222	Motor Pulley	50 Hertz; Models ATE50FWP431AW01, ATG50FWP301AW01, FTE50FSP301NW01, FTE50FSP301NW10, FTG50FSP301NW10, LTE50FGP541NW23, LTKA6A*N4350, LTL50FGP541NW23, LTSA7A*N3000, LTSA7A*N3300, LTSA7A*N4350, LTSA7A*N4351, LTSA9A*N3000, LTSA9A*N3060 and LTSA9A*N3061
	D500011	Motor Pulley	60 Hertz; All other models
9	590P3	Motor Hub Ring Kit	
10	D503688	Screw	
11	D510139P	Blower Fan Assembly	
12	D510185	Idler Spring	
13	56156	Nut	
14	D516310	Idler Lever	
15	D56461P	Shaft	
16	52549	Washer	
17	D510142P	Idler Wheel and Bearing Assembly	
18	23748	Retaining Ring	
19	D500824	Screw	
20	D516792	Idler Lever and Wheel Assembly	
21	52566	Nut	
22	D518517	Motor Mount	
23	23222	Screw	
24	D504515	Thermostat	Models BTE50FSP281CW01, LTSA7A*N, LTSA7A*N1500, LTUA7A*N, LTUA7A*N2802, LTZA7A*N, LTZA7A*N2802 and UTE50FSP171TW08
	D510707P	Thermostat	Models BTG50FSP091CW01, LTSA9A*N, LTSA9A*N1180, LTUA9A*N, LTZA9A*N, LTZA9A*N0902 and UTG50FSP111TW08
	D511887	Thermostat	Model LTSA7A*N2989
	D511957	Thermostat	All other models
25	M411941	Manual Reset Thermostat	Models ATG50FWP301AW01 and LTSA9A*N3060
26	D510717P	Blower and Fan Kit	120 Volt/60 Hertz; Includes items 1-6 and 8-22; Models BTE50FSP171TW01, BTE50FSP281CW01, BTG50FSP091CW01, BTG50FSP111TW01, LTG50FSP081JW01, LTSA7A*N, LTSA7A*N1500, LTSA7A*N2989, LTSA9A*N, LTSA9A*N1180, LTUA7A*N, LTUA7A*N2802, LTUA9A*N, LTZA7A*N, LTZA7A*N2802, LTZA9A*N, LTZA9A*N0902, UTE50FSP171TW08 and UTG50FSP111TW08

* Add Letter To Designate Color. Q - Bisque W - White

N/A = Part no longer available

Front Bulkhead, Air Duct, Felt Seal and Cylinder



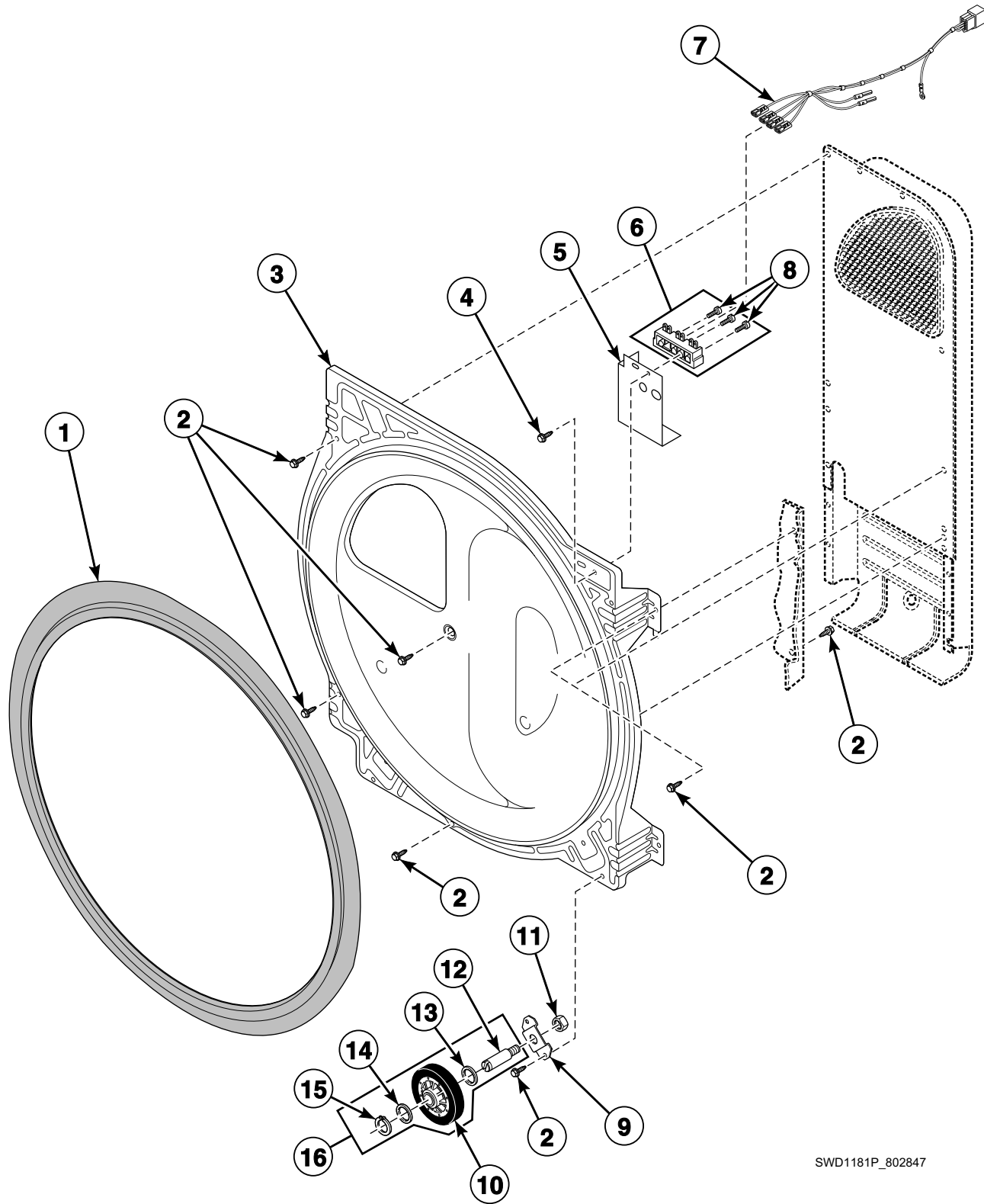
SWD1220P_802847

Front Bulkhead, Air Duct, Felt Seal and Cylinder

REF	PART NO.	DESCRIPTION	COMMENTS
1	D511033WP	Front Bulkhead Assembly	Painted; Includes item 3; Models ATE50FWP431AW01, ATG50FWP301AW01 and LTKA6A*N4350
	D510266P	Front Bulkhead Assembly	Unpainted; Includes item 3; All other models
2	D512082P	Drying Rack	Model LTKA6A*N4350
3	D510207P	Cylinder Seal Assembly	
	D511637P	Adhesive	For cylinder seal
	RB170001	Seal Kit	Includes 2 cylinder seals, D510238P Blower Housing Seal and D511637P Adhesive
4	D510102LG	Cylinder Baffle	Models BTE50FSP171TW01, BTE50FSP281CW01, LTSA7A*N, LTSA7A*N1500, LTSA7A*N2989, LTUA7A*N, LTUA7A*N2802, LTZA7A*N, LTZA7A*N2802 and UTE50FSP171TW08 starting Serial No. 1303025315
	D510102W	Cylinder Baffle	Models BTE50FSP171TW01, BTE50FSP281CW01, LTSA7A*N, LTSA7A*N1500, LTSA7A*N2989, LTUA7A*N, LTUA7A*N2802, LTZA7A*N, LTZA7A*N2802, UTE50FSP171TW08 through Serial No. 1303025314; All other models
5	D510159WP	Cylinder Assembly	White; Includes baffles; Models ATE50FWP431AW01, ATG50FWP301AW01 and LTKA6A*N4350
	D510265LGP	Cylinder Assembly	Galvanized; Includes baffles; Models BTE50FSP171TW01, BTE50FSP281CW01, LTSA7A*N, LTSA7A*N1500, LTSA7A*N2989, LTUA7A*N, LTUA7A*N2802, LTZA7A*N, LTZA7A*N2802 and UTE50FSP171TW08 starting Serial No. 1303025315
	D510265WP	Cylinder Assembly	Galvanized; Includes baffles; Models BTE50FSP171TW01, BTE50FSP281CW01, LTSA7A*N, LTSA7A*N1500, LTSA7A*N2989, LTUA7A*N, LTUA7A*N2802, LTZA7A*N, LTZA7A*N2802, UTE50FSP171TW08 through Serial No. 1303025314; All other models
6	62588	Screw	
7	D513710	Cylinder Glide	
8	D510145	Cylinder Glide Bracket	
9	52864	Screw	
10	D503688	Screw	
11	D510502LG	Lint Filter Cover	Models BTE50FSP171TW01, BTE50FSP281CW01, LTSA7A*N, LTSA7A*N1500, LTSA7A*N2989, LTUA7A*N, LTUA7A*N2802, LTZA7A*N, LTZA7A*N2802 and UTE50FSP171TW08 starting Serial No. 1303025315
	D510502W	Lint Filter Cover	Models BTE50FSP171TW01, BTE50FSP281CW01, LTSA7A*N, LTSA7A*N1500, LTSA7A*N2989, LTUA7A*N, LTUA7A*N2802, LTZA7A*N, LTZA7A*N2802, UTE50FSP171TW08 through Serial No. 1303025314; All other models
12	D501285	Screw	
13	D518433	Air Duct Assembly	Models BTE50FSP171TW01, BTE50FSP281CW01, LTSA7A*N, LTSA7A*N1500, LTSA7A*N2989, LTUA7A*N, LTUA7A*N2802, LTZA7A*N, LTZA7A*N2802 and UTE50FSP171TW08 starting Serial No. 1303025315
	D518432	Air Duct Assembly	Models BTE50FSP171TW01, BTE50FSP281CW01, LTSA7A*N, LTSA7A*N1500, LTSA7A*N2989, LTUA7A*N, LTUA7A*N2802, LTZA7A*N, LTZA7A*N2802, UTE50FSP171TW08 through Serial No. 1303025314; All other models
14	D503980LG	Lint Filter	Models BTE50FSP171TW01, BTE50FSP281CW01, LTSA7A*N, LTSA7A*N1500, LTSA7A*N2989, LTUA7A*N, LTUA7A*N2802, LTZA7A*N, LTZA7A*N2802 and UTE50FSP171TW08 starting Serial No. 1303025315
	D503980W	Lint Filter	Models BTE50FSP171TW01, BTE50FSP281CW01, LTSA7A*N, LTSA7A*N1500, LTSA7A*N2989, LTUA7A*N, LTUA7A*N2802, LTZA7A*N, LTZA7A*N2802, UTE50FSP171TW08 through Serial No. 1303025314; All other models
15	D505295	Screw	
16	D510189	Felt Pad	
17	RB170003	Glide Kit	Includes items 7 and 16

* Add Letter To Designate Color. Q - Bisque W - White

Rear Bulkhead, Felt Seal, Cylinder Roller and Terminal Block



SWD1181P_802847

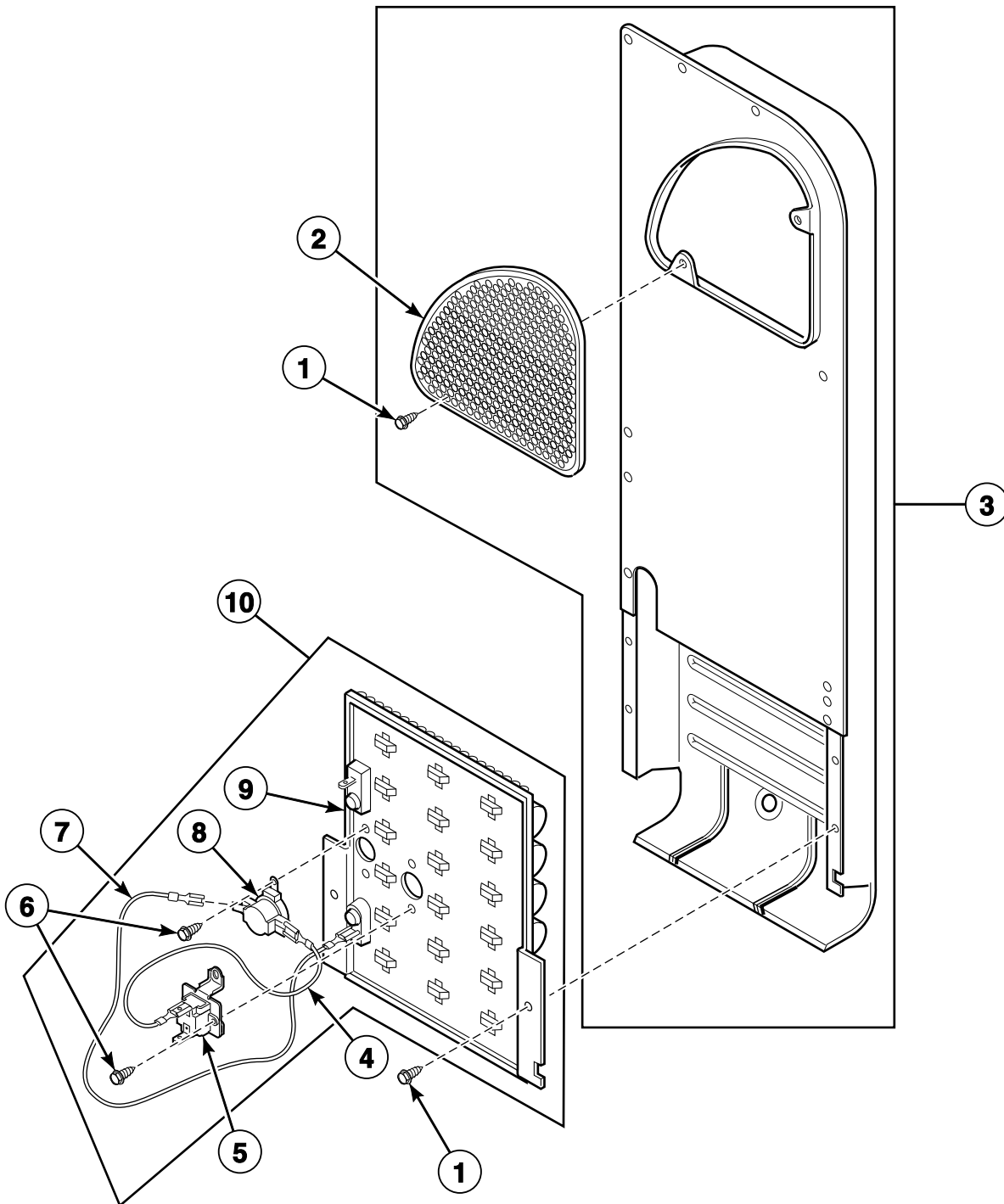
Rear Bulkhead, Felt Seal, Cylinder Roller and Terminal Block

REF	PART NO.	DESCRIPTION	COMMENTS
1	D510207P	Cylinder Seal Assembly	
	D511637P	Adhesive	For cylinder seal
	RB170001	Seal Kit	Includes 2 cylinder seals, D510238P Blower Housing Seal and D511637P Adhesive
2	D503688	Screw	
3	D510905WP	Rear Bulkhead Assembly	White; Includes item 1; Models ATE50FWP431AW01, ATG50FWP301AW01 and LTKA6A*N4350
	D511082P	Rear Bulkhead Assembly	Galvanized; Includes item 1; All other models
4	D501285	Screw	Electric models
5	D510237	Terminal Block Shield	Electric models
6	D510190P	Terminal Block Assembly	Includes 3 of item 7
7	D514256	Wire Harness Assembly	Power to washer; Models BTE50FSP281CW01, LTSA7A*N2989, LTUA7A*N2802 and LTZA7A*N2802
8	61199	Screw	
9	D510100	Cylinder Roller Bracket	
10	D510708P	Cylinder Roller	
11	56156	Nut	
12	56461P	Shaft	
13	D504082	Washer	
14	52549	Washer	
15	23748	Retaining Ring	
16	RB170002	Roller Kit	Includes items 10 and 12-15

* Add Letter To Designate Color. Q - Bisque W - White

Heater Duct and Element Assembly

Electric Model Dryers



DRY1789P_802847

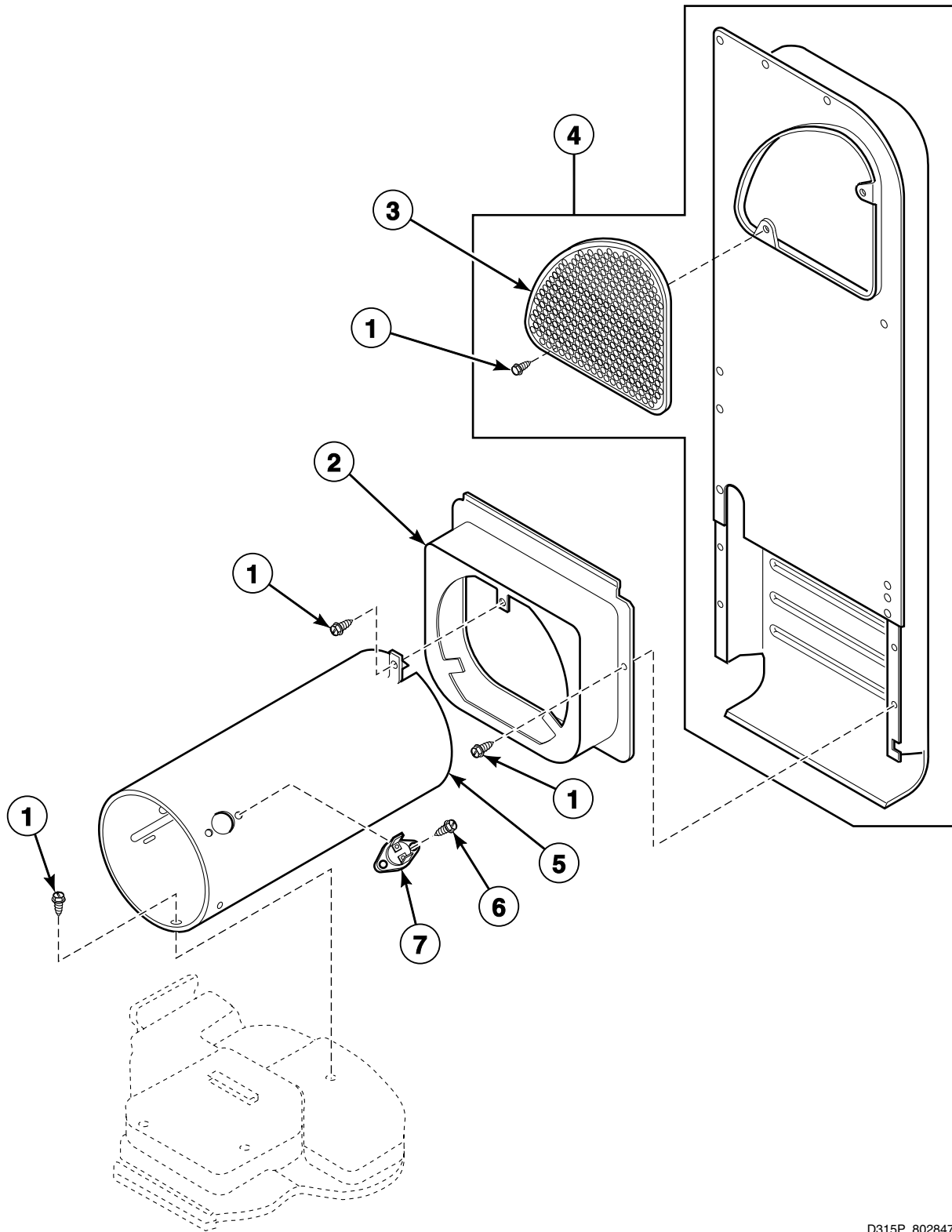
Heater Duct and Element Assembly

REF	PART NO.	DESCRIPTION	COMMENTS
1	D503688	Screw	
2	D500820	Outlet Cover	
3	D510705P	Heater Duct Assembly	Includes items 1 and 2
4	D518256	Wire Assembly	Orange; Thermostat jumper; Attaches to heater assembly
5	D518649	Thermal Fuse Assembly	
6	23222	Screw	
7	D518255	Wire Assembly	Black; Fuse jumper; Attaches to heater assembly
8	D510701	Limit Thermostat	
9	D510326P	Heater Assembly	Models FTE50FSP301NW01, FTE50FSP301NW10, LTSA7A*N2989 and LTSA7A*N3000; 4800 Watt; 240 Volt/50 Hertz
	D510327P	Heater Assembly	Models ATE50FWP431AW01, LTKA6A*N4350, LTSA7A*N4350 and LTSA7A*N4351; 4000 Watt; 240 Volt/50 Hertz
	D510324P	Heater Assembly	Models BTE50FSP281CW01, LTE50FGP541NW23, LTSA7A*N3300, LTUA7A*N2802 and LTZA7A*N2802; 5000 Watt; 240 Volt/60 Hertz
	D510325P	Heater	Model LTSA7A*N1500; 47500 Watt; 208 Volt/60 Hertz
	D510329P	Heater Assembly	Models BTE50FSP171TW01, LTSA7A*N, LTUA7A*N, LTZA7A*N and UTE50FSP171TW08; 5350 Watt; 240 Volt/60 Hertz
10	964P3	Heater Kit	Includes items 4-9; Models BTE50FSP171TW01, LTSA7A*N, LTUA7A*N and LTZA7A*N; 5350 Watt; 240 Volt/60 Hertz
	61927	Heater Kit Assembly	Includes items 4-9; Models BTE50FSP281CW01, LTE50FGP541NW23, LTSA7A*N3300, LTUA7A*N2802 and LTZA7A*N2802; 5000 Watt; 240 Volt/60 Hertz
	61928	Heater Kit Assembly	Includes items 4-9; Models BTE50FSP171TW01, LTSA7A*N, LTSA7A*N1500, LTUA7A*N, LTZA7A*N and UTE50FSP171TW08; 4750 Watt; 208 Volt/60 Hertz
	61929	Heater Kit Assembly	Includes items 4-9; Models FTE50FSP301NW01, FTE50FSP301NW10, LTSA7A*N2989 and LTSA7A*N3000; 4800 Watt; 240 Volt/50 Hertz
	61930	Heater Kit Assembly	Includes items 4-9; Models ATE50FWP431AW01, LTKA6A*N4350, LTSA7A*N4350 and LTSA7A*N4351; 4000 Watt; 240 Volt/50 Hertz

* Add Letter To Designate Color. Q - Bisque W - White

Heater Duct Assembly

Gas Model Dryers



D315P_802847

Heater Duct Assembly

REF	PART NO.	DESCRIPTION	COMMENTS
1	D503688	Screw	
2	D510101	Heat Duct Shroud	
3	D500820	Outlet Cover	
4	D510705P	Heater Duct Assembly	Includes items 1 and 3
5	D510131	Combustion Duct	
6	51782	Screw	
7	D510702	Limit Thermostat	Color code "black"

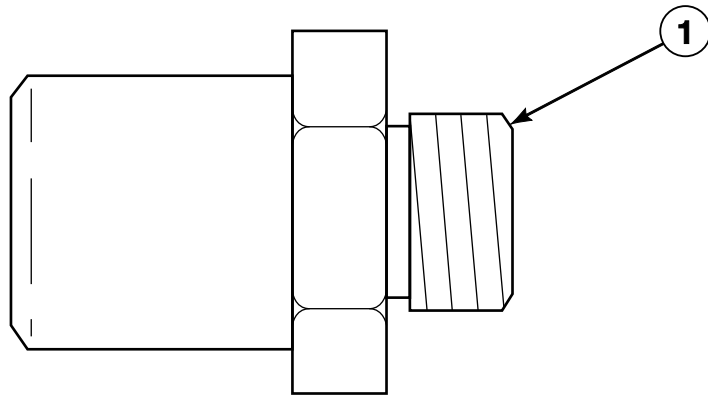
Gas Valve, Igniter and Gas Conversion Kits

REF	PART NO.	DESCRIPTION	COMMENTS
1	D510204	Lead-In Pipe Assembly	
2	51782	Screw	
3	D510184P	Igniter and Bracket Assembly	
4	23222	Screw	
5	D510213	Sensor	
6	D503688	Screw	
7	D510149P	Burner Assembly	
8	401P3	L.P. Conversion Kit	Used to convert dryers from Natural Gas (N.G.) or Mixed Gas to Liquid Petroleum Gas (L.P.); 20,000 Btu; Models ATG50FWP301AW01, FTG50FSP301NW10, LTL50FGP541NW23, LTSA9A*N3000 and LTSA9A*N3060
	649P3	L.P. Conversion Kit	Used to convert dryers from N.G. or Mixed Gas to L.P.; 22,500 Btu; All other models
9	402P3	N.G. Conversion Kit	Used to convert dryers from L.P. to N.G. or Mixed Gas; 20,000 Btu; Models ATG50FWP301AW01, FTG50FSP301NW10, LTL50FGP541NW23, LTSA9A*N3000 and LTSA9A*N3060
	650P3	N.G. Conversion Kit	Used to convert dryers from L.P. to N.G. or Mixed Gas; 22,500 Btu; All other models
10	58804B	Secondary Coil	
11	60353P	Gas Valve Assembly	25,000 Btu; Includes items 10 and 14; Model LTL50FGP541NW23
	59063P	Gas Valve Assembly	50 Hertz, 20,000 Btu; Models ATG50FWP301AW01, FTG50FSP301NW10, LTSA9A*N3000, LTSA9A*N3060 and LTSA9A*N3061
	D510506P	Gas Valve Assembly	60 Hertz, 22,500 Btu; All other models
12	56124	Screw	
13	D510128	Gas Valve Mounting Bracket	
14	58804A	Booster and Holding Coil	
15	D513072	Elbow	Model LTL50FGP541NW23
16	D510205	Elbow Shut-Off Valve	All models except LTL50FGP541NW23

* Add Letter To Designate Color. Q - Bisque W - White

Burner Orifice Spuds - For Higher Elevations (Drawing 1 of 2)

Liquid Petroleum Gas Models



DRY2266P_802847

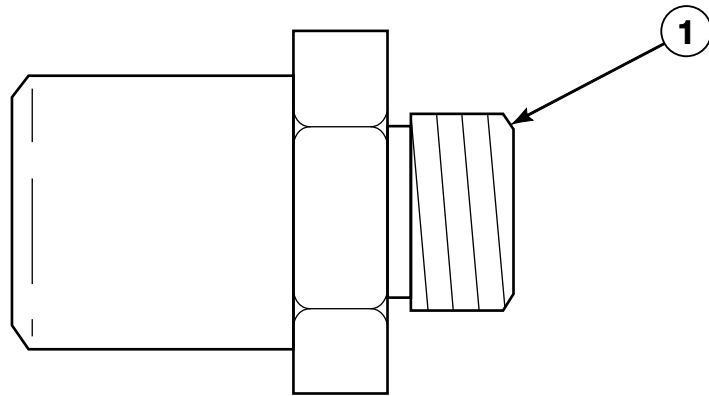
Burner Orifice Spuds - For Higher Elevations (Drawing 1 of 2)

REF	PART NO.	DESCRIPTION	COMMENTS
1	58755	L.P. Orifice	Model LTL50FGP541NW23 25,000 Btu; 7500-10,999 feet (2290-2289 m); Models BTG50FSP091CW01, BTG50FSP111TW01, LTG50FSP081JW01, LTSA9A*N, LTSA9A*N1180, LTUA9A*N, LTZA9A*N, LTZA9A*N0902 and UTG50FSP111TW08 22,500 Btu; 3000-7999 feet (915-2439 m)
	D503786	L.P. Orifice	Model LTL50FGP541NW23 25,000 Btu; 11,000 feet (3355 m) and higher; Models ATG50FWP301AW01, FTG50FSP301NW10, LTSA9A*N3000, LTSA9A*N3060 and LTSA9A*N3061 20,000 Btu; 4500-9499 feet (1370-2999 m); All other models 22,500 Btu; 8000 feet (2440 m) and higher
	60941	L.P. Orifice	Models ATG50FWP301AW01, FTG50FSP301NW10, LTSA9A*N3000, LTSA9A*N3060 and LTSA9A*N3061; 20,000 Btu; 9500 feet (3000 m) and higher

* Add Letter To Designate Color. G - Gray L - Almond Q - Bisque W - White

Burner Orifice Spuds - For Higher Elevations (Drawing 2 of 2)

Natural Gas Models



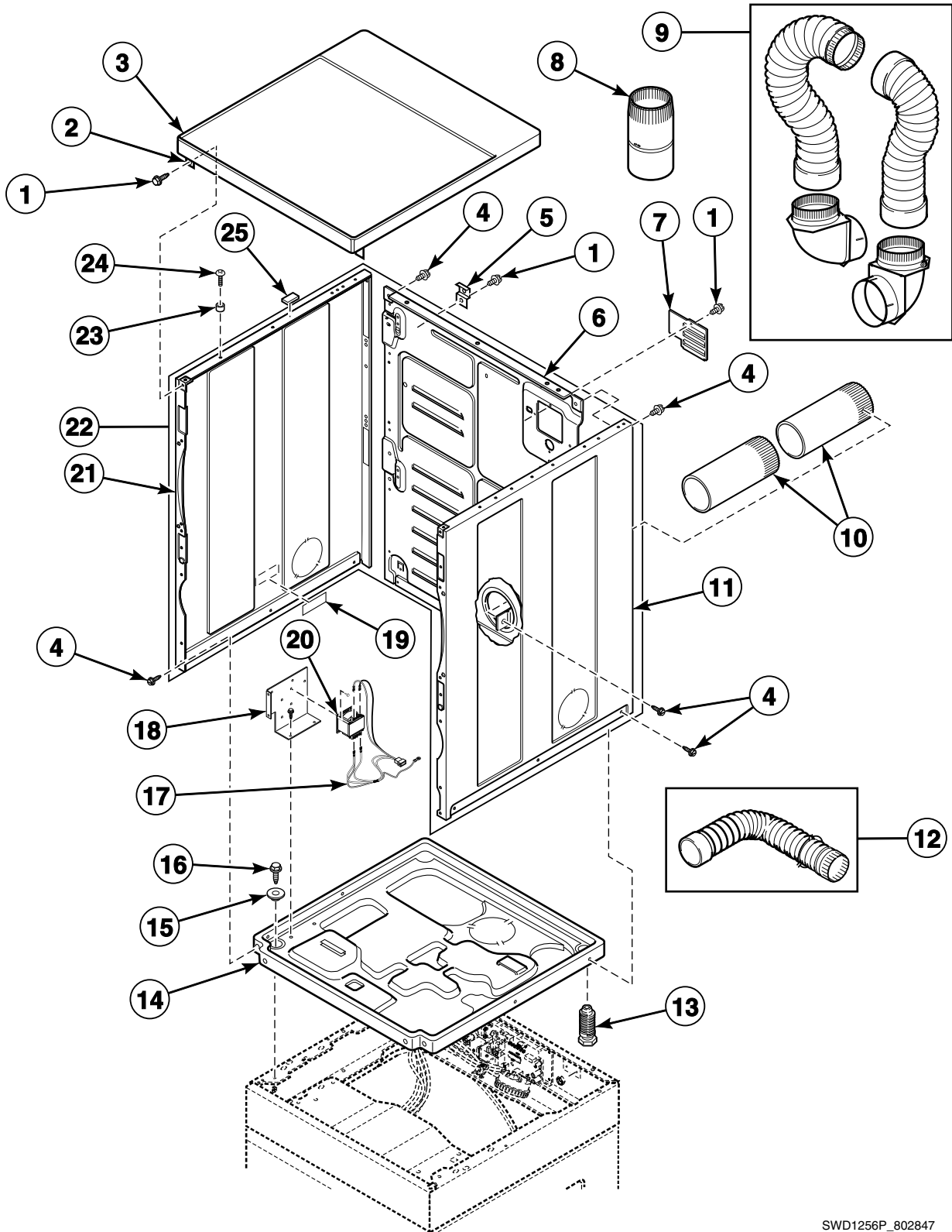
DRY2266P_802847

Burner Orifice Spuds - For Higher Elevations (Drawing 2 of 2)

REF	PART NO.	DESCRIPTION	COMMENTS
1	D503776	N.G. Orifice	Model LTL50FGP541NW23; 25,000 Btu; 2000-2999 feet (610-914 m)
	D510517	N.G. Orifice	Model LTL50FGP541NW23; 25,000 Btu; 3000-5499 feet (915-1679 m)
	D503778	N.G. Orifice	Model LTL50FGP541NW23 25,000 Btu; 5500-6999 feet (1680-2134 m); Models BTG50FSP091CW01, BTG50FSP111TW01, LTG50FSP081JW01, LTSA9A*N, LTSA9A*N1180, LTUA9A*N, LTZA9A*N, LTZA9A*N0902 and UTG50FSP111TW08 22,500 Btu; 3000-5999 feet (915-1829 m)
	58719	Screw Orifice	Model LTL50FGP541NW23 25,000 Btu; 7000-8999 feet (2135-2744 m); Models BTG50FSP091CW01, BTG50FSP111TW01, LTG50FSP081JW01, LTSA9A*N, LTSA9A*N1180, LTUA9A*N, LTZA9A*N, LTZA9A*N0902 and UTG50FSP111TW08 22,500 Btu; 6000-7999 feet (1830-2439 m)
	D503779	N.G. Orifice	Model LTL50FGP541NW23 25,000 Btu; 9000-10,499 feet (2745-3199 m); Models BTG50FSP091CW01, BTG50FSP111TW01, LTG50FSP081JW01, LTSA9A*N, LTSA9A*N1180, LTUA9A*N, LTZA9A*N, LTZA9A*N0902 and UTG50FSP111TW08 22,500 Btu; 8000-8999 feet (2440-2739 m); Models ATG50FWP301AW01, FTG50FSP301NW10, LTSA9A*N3000, LTSA9A*N3060 and LTSA9A*N3061 20,000 Btu; 2500-4499 feet (760-1369 m)
	D503780	N.G. Orifice	Model LTL50FGP541NW23 25,000 Btu; 10,500 feet (3200 m) and higher; Models BTG50FSP091CW01, BTG50FSP111TW01, LTG50FSP081JW01, LTSA9A*N, LTSA9A*N1180, LTUA9A*N, LTZA9A*N, LTZA9A*N0902 and UTG50FSP111TW08 22,500 Btu; 9000-9999 feet (2740-3049 m); Models ATG50FWP301AW01, FTG50FSP301NW10, LTSA9A*N3000, LTSA9A*N3060 and LTSA9A*N3061 20,000 Btu; 4500-5999 feet (1370-1829 m)
	D503781	N.G. Orifice	Models BTG50FSP091CW01, BTG50FSP111TW01, LTG50FSP081JW01, LTSA9A*N, LTSA9A*N1180, LTUA9A*N, LTZA9A*N, LTZA9A*N0902 and UTG50FSP111TW08 22,500 Btu; 10,000 feet (3050 m) and higher; Models ATG50FWP301AW01, FTG50FSP301NW10, LTSA9A*N3000, LTSA9A*N3060 and LTSA9A*N3061 20,000 Btu; 6000-7499 feet (1830-2289 m)
	D503782	N.G. Orifice	Models ATG50FWP301AW01, FTG50FSP301NW10, LTSA9A*N3000, LTSA9A*N3060 and LTSA9A*N3061; 20,000 Btu; 7500-9499 feet (2290-2899 m)

* Add Letter To Designate Color. G - Gray L - Almond Q - Bisque W - White

Dryer Cabinet, Exhaust Duct and Base



SWD1256P_802847

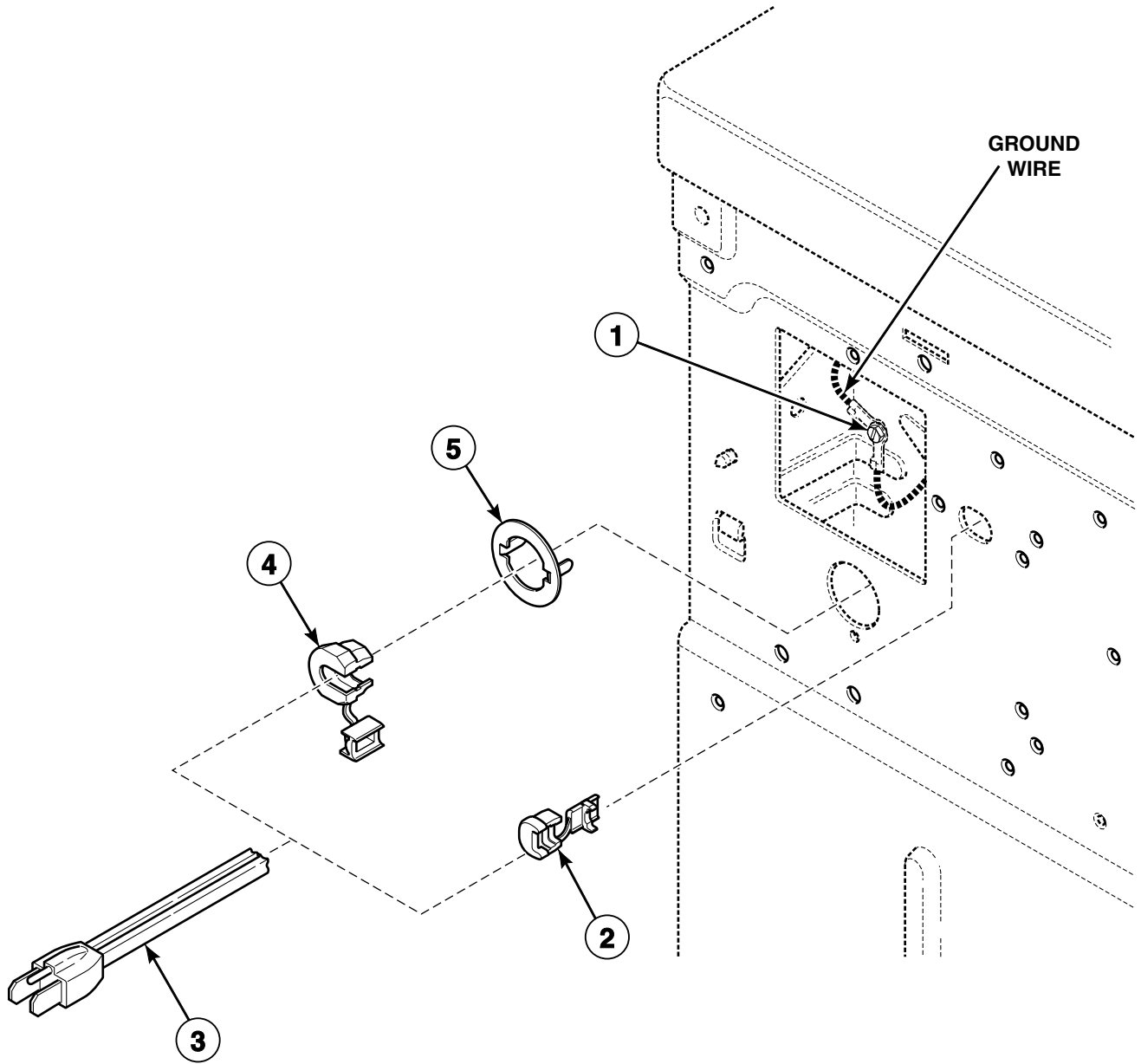
Dryer Cabinet, Exhaust Duct and Base

REF	PART NO.	DESCRIPTION	COMMENTS
	122P4P	Porcelain Touch-Up Paint	White
	370P4P	Porcelain Touch-Up Paint	Bisque
1	D503661	Screw	
2	D510146	Bracket	
3	D510032WP	Top Kit	White
	D510032QP	Top Kit	Bisque
4	D503688	Screw	
5	D510136	Top Hinge	
6	D514632P	Cabinet Rear Panel	
7	D510903	Access Panel Plate	
8	58786	Damper	
9	521P3	Flexible Venting Kit	
10	D516196	Exhaust Duct	Each dryer requires 2 pieces
11	D510002WP	Cabinet Side Panel	White; Right
	D510002QP	Cabinet Side Panel	Bisque; Right
12	528P3	Directional Exhaust Kit	Used to vent dryer out the sides
13	D510135	Leveling Leg	
14	D514245	Dryer Base	
15	26509	Washer	
16	D502431	Screw	
17	D511303	Wire Harness Assembly	Transformer adapter; Includes D502592 Fuse, 3.15 Amp, 250 Volt; Models ATG50FWP301AW01, FTG50FSP301NW10, LTSA9A*N3000, LTSA9A*N3060 and LTSA9A*N3061
18	D511859	Contacto Bracket	Models ATG50FWP301AW01, FTG50FSP301NW10, LTSA9A*N3000, LTSA9A*N3060 and LTSA9A*N3061
19	61294	Fuse Notice Label	Electric models
20	D511658P	Transformer Kit	Includes item 17; Models ATG50FWP301AW01, FTG50FSP301NW10, LTSA9A*N3000, LTSA9A*N3060 and LTSA9A*N3061
21	D510001WP	Cabinet Side Panel	White; Left
	D510001QP	Cabinet Side Panel	Bisque; Left
22	727P3W	Panel Kit	White; Replaces the 1 piece wrap-a-round cabinet; Kit includes items 6, 11, 21 and the necessary attaching hardware
	727P3Q	Panel Kit	Bisque; Replaces the 1 piece wrap-a-round cabinet; Kit includes items 6, 11, 21 and the necessary attaching hardware
23	56079	Panel Locator	
24	39733	Screw	
25	56128	Bumper Pad	

* Add Letter To Designate Color. Q - Bisque W - White

Power Cord

Models ATG50FWP301AW01, BTE50FSP281CW01, BTG50FSP091CW01, BTG50FSP111TW01, LTG50FSP081JW01, LTL50FGP541NW23, LTSA9A*N, LTSA9A*N1180, LTSA9A*N3060, LTSA9A*N3061, LTUA7A*N2802, LTUA9A*N, LTZA7A*N2802, LTZA9A*N, LTZA9A*N0902 and UTG50FSP111TW08



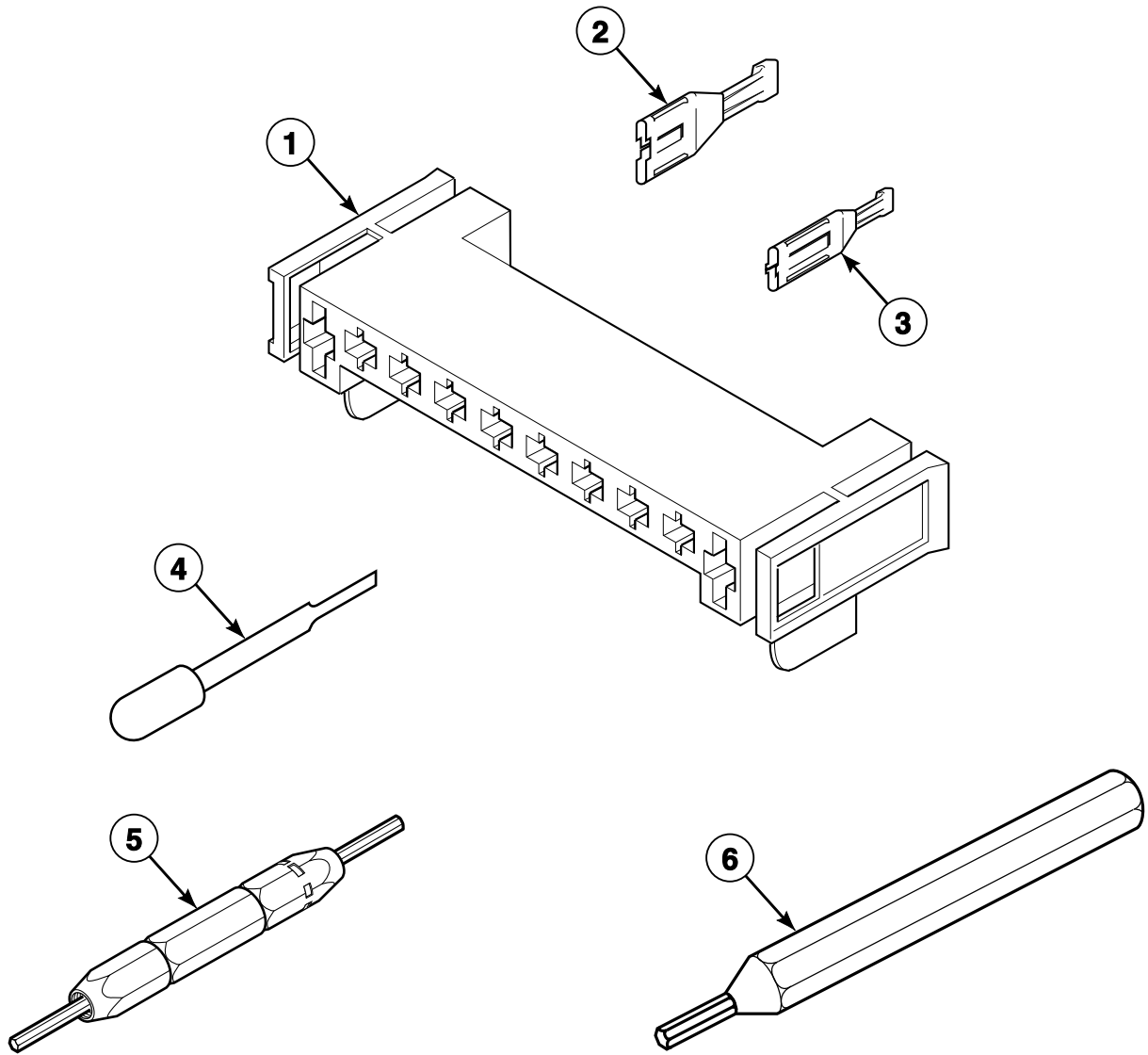
SWD1222P_802847

Power Cord

REF	PART NO.	DESCRIPTION	COMMENTS
1	20530	Screw	
2	38384	Strain Relief	Models BTG50FSP111TW01, LTG50FSP081JW01, LTSA9A*N, LTSA9A*N1180, LTUA9A*N, LTZA9A*N and UTG50FSP111TW08
3	58992	Power Cord Assembly	Models BTG50FSP091CW01 and LTZA9A*N0902
	57397	Power Cord Assembly	Models BTE50FSP281CW01, LTUA7A*N2802 and LTZA7A*N2802
	D512019	Lead-In Cord	Models ATG50FWP301AW01, BTE50FSP281CW01, LTSA9A*N3060 and LTSA9A*N3061
	59373	Lead-In Cord	Model LTL50FGP541NW23
	59308	Lead-In Cord	All other models
4	52151	Strain Relief	Models BTG50FSP091CW01 and LTZA9A*N0902
	52113	Strain Relief	Model LTL50FGP541NW23
	60298	Strain Relief	Models LTSA9A*N3060 and LTSA9A*N3061
5	D502496	Strain Relief Adapter	Models ATG50FWP301AW01, BTG50FSP091CW01, LTL50FGP541NW23, LTSA9A*N3060, LTSA9A*N3061 and LTZA9A*N0902

* Add Letter To Designate Color. Q - Bisque W - White

Dryer Motor Connection Block, Terminal Extractor Tools



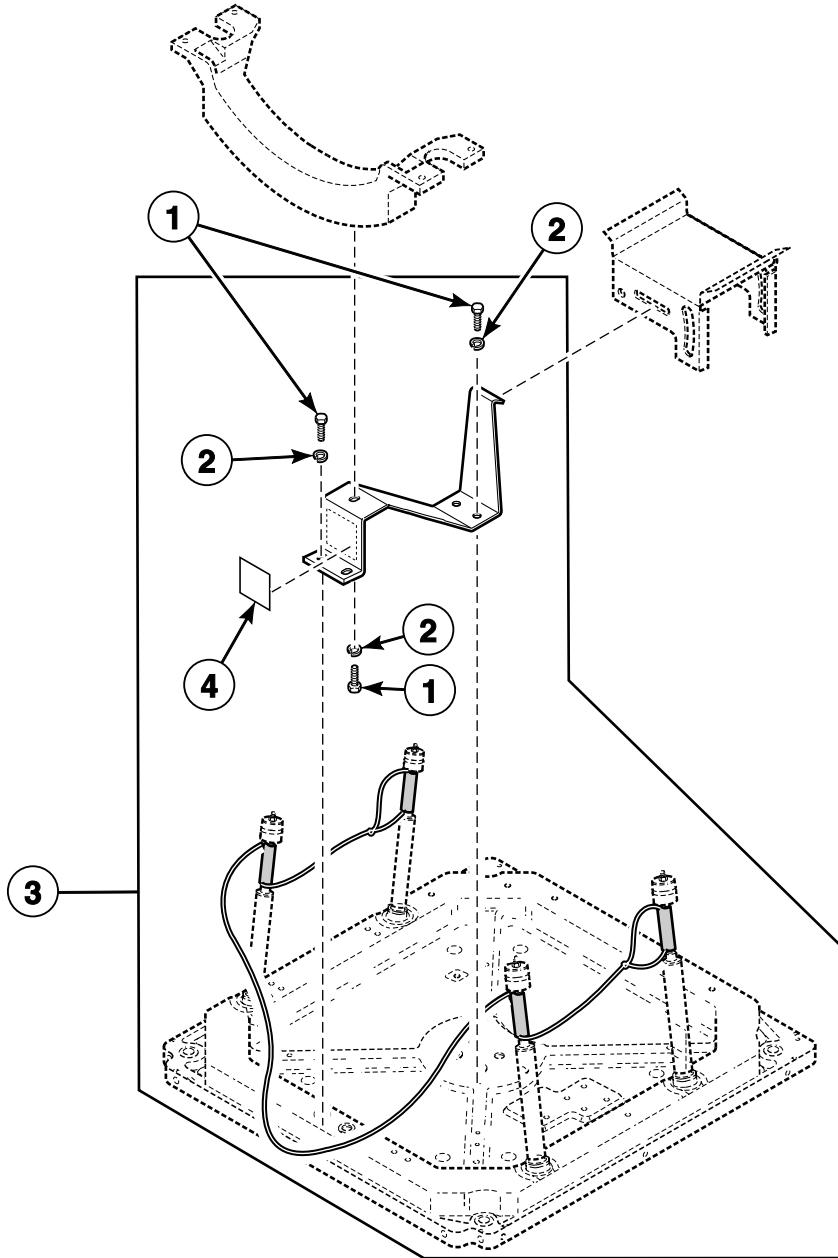
SWD1216P_802847

Dryer Motor Connection Block, Terminal Extractor Tools

REF	PART NO.	DESCRIPTION	COMMENTS
1	D500338	10 Position Housing	Molex
2	00255	Female Terminal	1/4 inch; For (1) 12 gauge wire
	00256	Female Terminal	1/4 inch; For (1) or (2) 18 gauge wires
3	00188	Female Terminal	For 1 or 2 wire applications
4	283P4	Terminal Extractor Tool	For use on Molex connectors
5	190P4	Extractor Tool	For use on electric dryer terminals
6	128P4	Extractor Tool	For use on gas dryer terminals

* Add Letter To Designate Color. Q - Bisque W - White

Shipping Materials

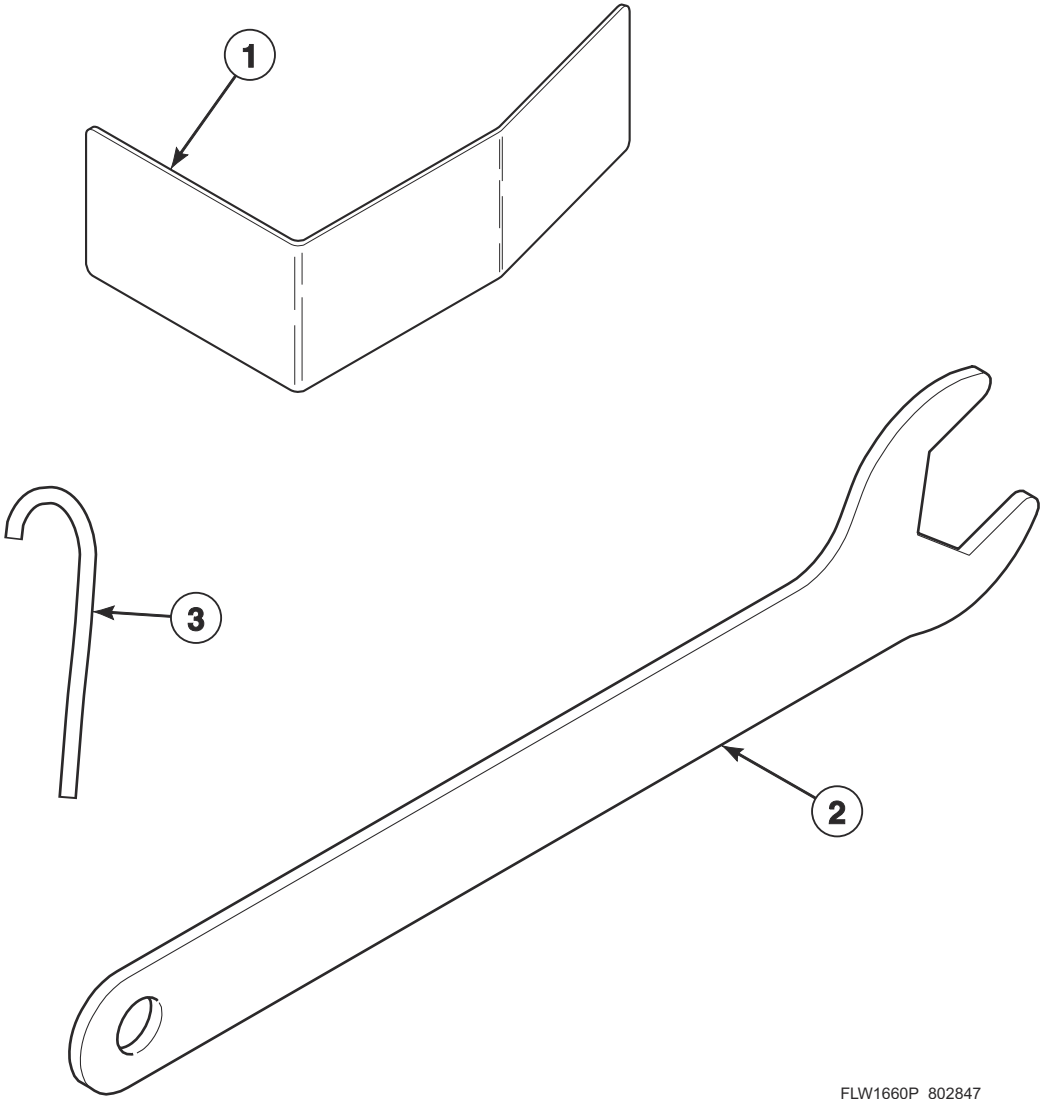


FLW1030P_802847

Shipping Materials

REF	PART NO.	DESCRIPTION	COMMENTS
1	M400043	Screw	
2	M400014	Washer	
3	930P3	Shipping Materials Kit	Includes items 1, 2, 4, shipping bracket, and shipping cord and brace assembly
4	807552	Shipping Bracket Label	

Special Tools

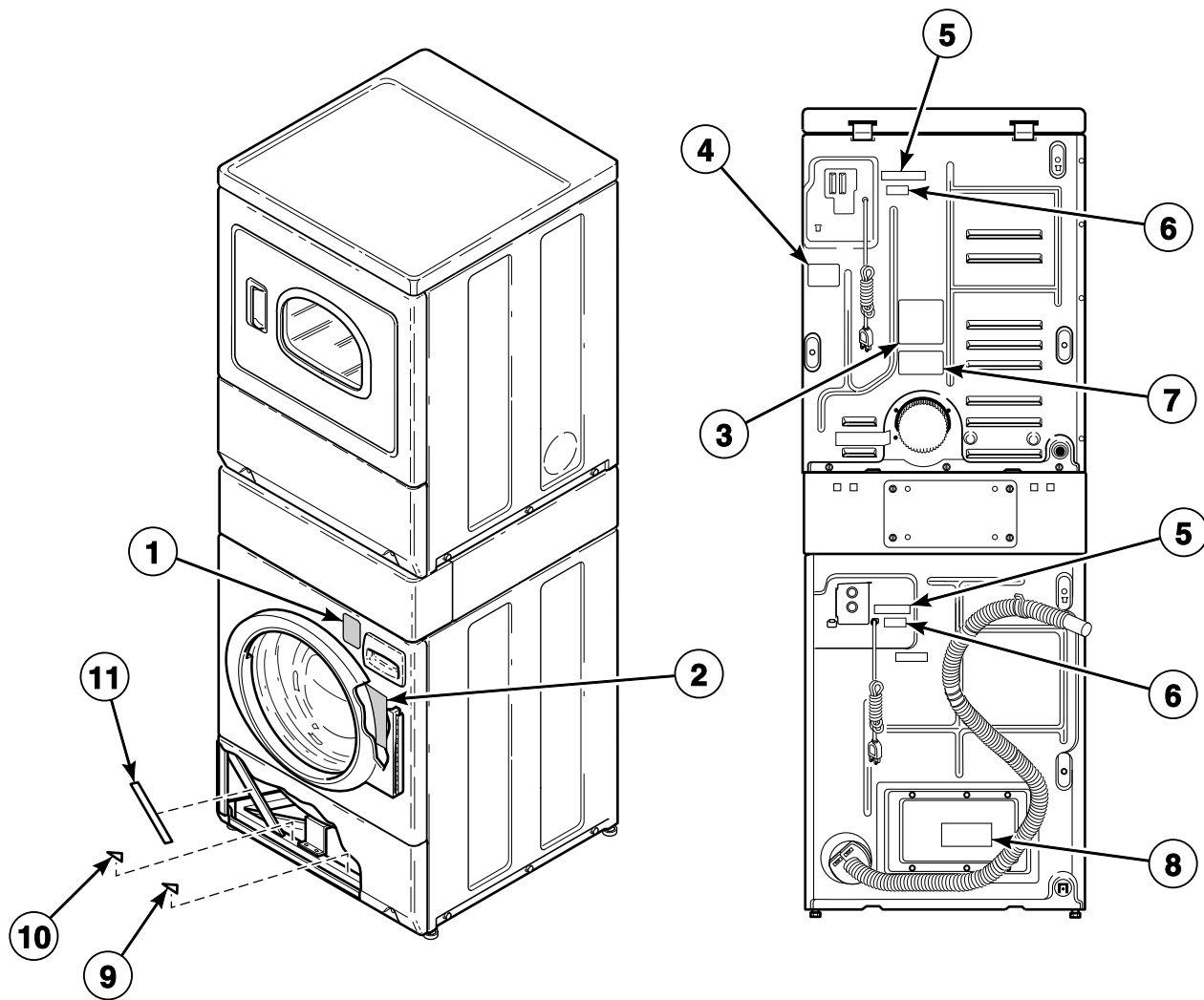


FLW1660P_802847

Special Tools

REF	PART NO.	DESCRIPTION	COMMENTS
1	318P4	Dispenser Drawer Tool	Use to remove dispenser drawer
2	392P4	Wrench	Use for adjusting leveling leg nuts
3	802336	Pulley Bolt Tightening Fixture	Use to install inner basket

Labels



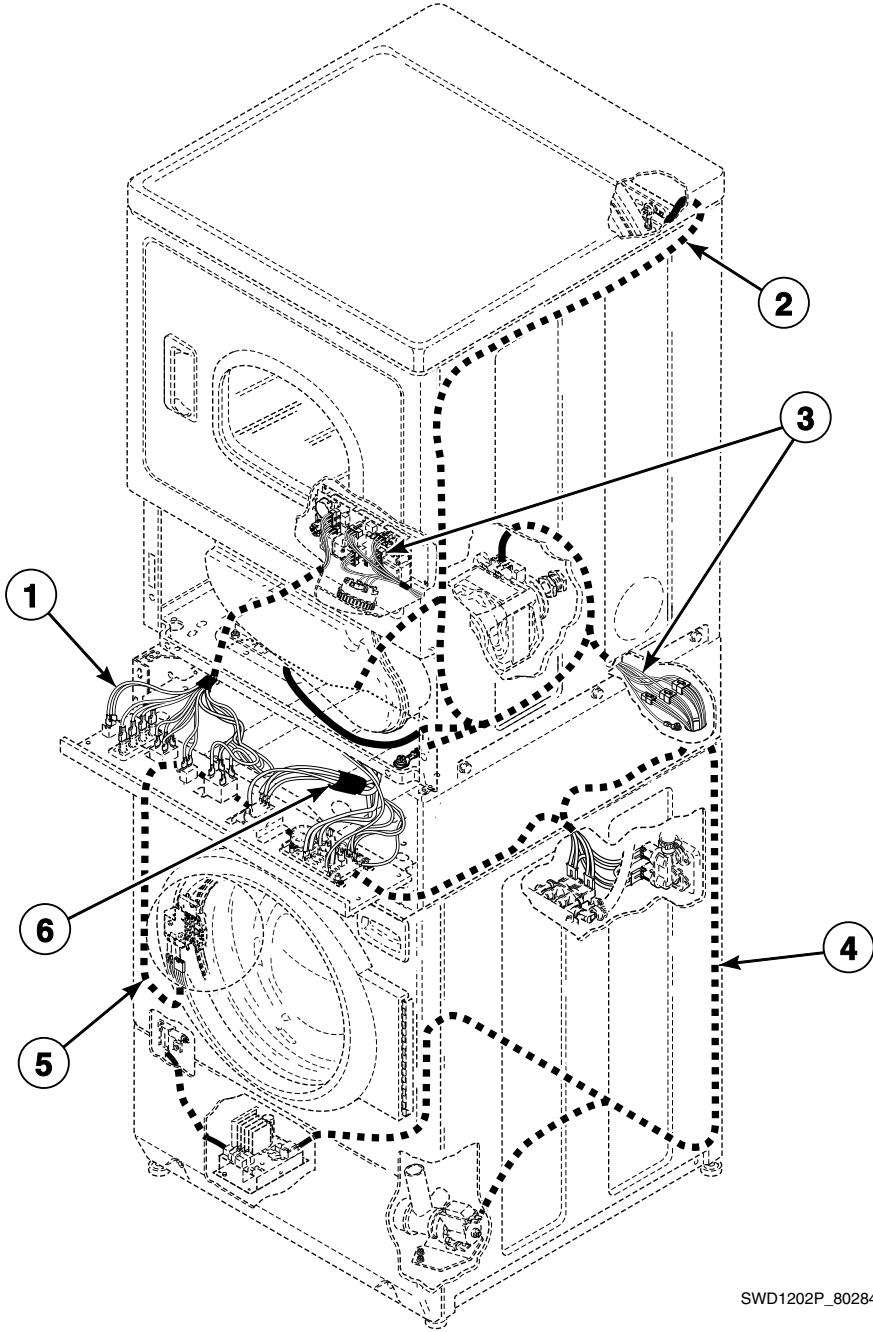
SWD1274P_802847

Labels

REF	PART NO.	DESCRIPTION	COMMENTS
1	802074	Oversudsing Label	English
	802838	Oversudsing Label	Spanish
	802839	Oversudsing Label	Quebec French
2	802367	Warning Label	
3	D502791	Venting Instruction Label	
4	62104	Voltage Warning Label	Model LTSA7A*N1500
5	D505281	Disconnect Power Warning Label	English
	D502511	Electrical Shock Label	Icon
6	803260	Warning Label	
7	D500497	Exhaust Warning Label	
8	D500049	Warning Label	English
	D500314	Warning Label	Quebec French
	D502511	Electrical Shock Label	Icon
9	F8615701	Pinched Fingers Label	Models FTE50FSP301NW01, FTE50FSP301NW10, FTG50FSP301NW10, LTSA7A*N3000, LTSA7A*N3300 and LTSA9A*N3000
10	F8211201	Electrical Shock Label	Models FTE50FSP301NW01, FTE50FSP301NW10, FTG50FSP301NW10, LTSA7A*N3000, LTSA7A*N3300 and LTSA9A*N3000
11	803522	Warning Label	Models ATE50FWP431AW01, ATG50FWP301AW01, BTE50FSP171TW01, BTE50FSP281CW01, BTG50FSP091CW01, BTG50FSP111TW01, LTE50FGP541NW23, LTG50FSP081JW01, LTKA6A*N4350, LTL50FGP541NW23, LTSA7A*N, LTSA7A*N1500, LTSA7A*N2989, LTSA7A*N4350, LTSA7A*N4351, LTSA9A*N, LTSA9A*N1180, LTSA9A*N3060, LTSA9A*N3061, LTUA7A*N, LTUA7A*N2802, LTUA9A*N, LTZA7A*N, LTZA7A*N2802, LTZA9A*N, LTZA9A*N0902, UTE50FSP171TW08 and UTG50FSP111TW08

Wire Harnesses and Wires

Models ATE50FWP431AW01, ATG50FWP301AW01, BTG50FSP091CW01, BTG50FSP111TW01, FTE50FSP301NW01, FTE50FSP301NW10, FTG50FSP301NW10, LTE50FGP541NW23, LTG50FSP081JW01, LTKA6A*N4350, LTL50FGP541NW23, LTSA7A*N3000, LTSA7A*N3300, LTSA7A*N4350, LTSA7A*N4351, LTSA9A*N, LTSA9A*N1180, LTSA9A*N3000, LTSA9A*N3060, LTSA9A*N3061, LTUA9A*N, LTZA9A*N, LTZA9A*N0902 and UTG50FSP111TW08



SWD1202P_802847

Wire Harnesses and Wires

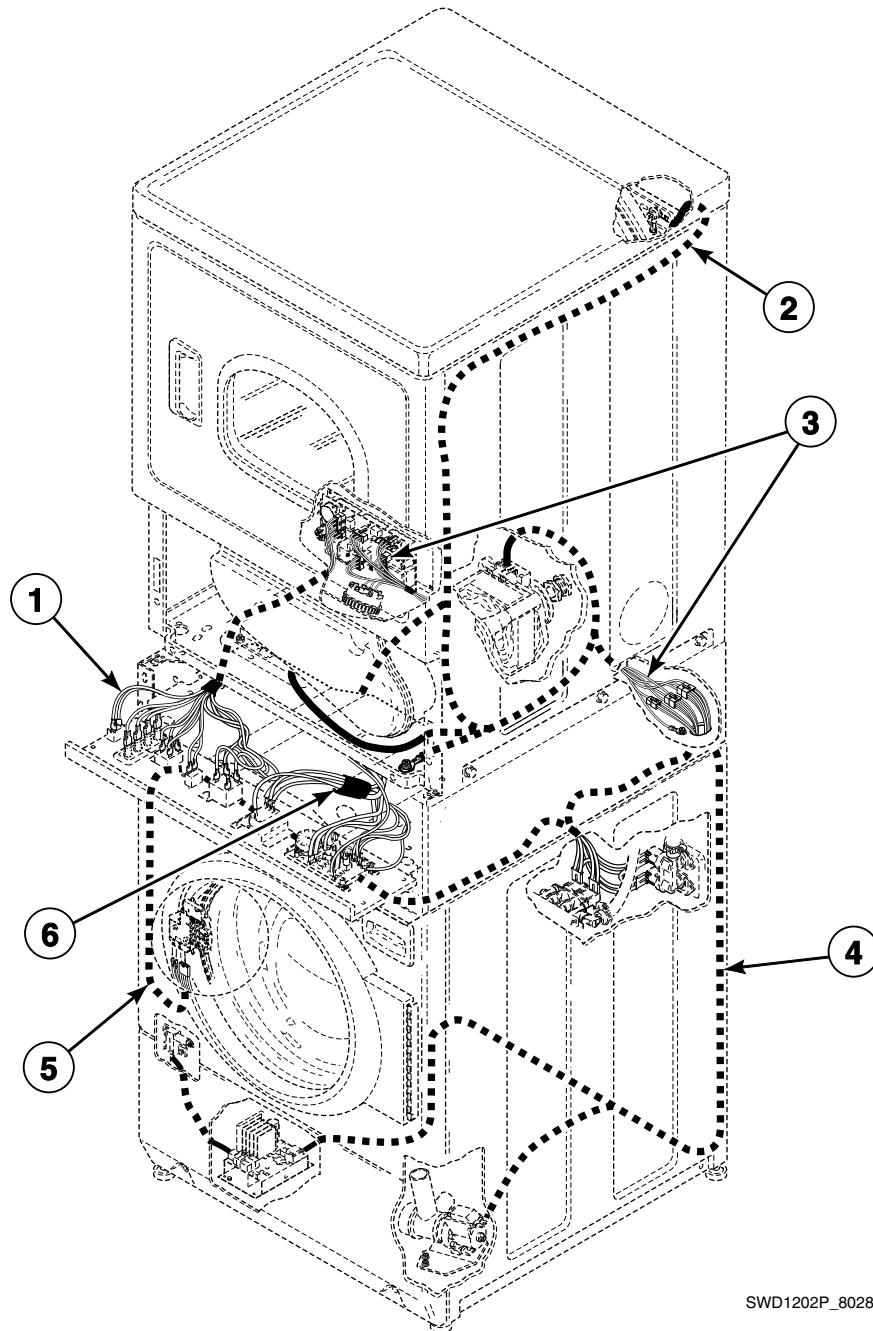
REF	PART NO.	DESCRIPTION	COMMENTS
	45001	18 Gauge Wire	Black
	45380	12 Gauge Wire	Orange
1	802114	Control Panel Harness Assembly	Model LTKA6A*N4350
	801326P	Control Panel Harness Assembly	All other models
2	D511750P	Wire Harness Assembly	Dryer; Models ATE50FWP431AW01, FTE50FSP301NW01, FTE50FSP301NW10, LTE50FGP541NW23, LTKA6A*N4350, LTSA7A*N3000, LTSA7A*N3300, LTSA7A*N4350 and LTSA7A*N4351
	D511751	Wire Harness Assembly	Dryer; Models FTG50FSP301NW10, LTL50FGP541NW23 and LTSA9A*N3000
	D511325P	Upper Harness Assembly	Dryer; Models BTG50FSP091CW01, BTG50FSP111TW01, LTG50FSP081JW01, LTSA9A*N, LTSA9A*N1180, LTUA9A*N, LTZA9A*N, LTZA9A*N0902 and UTG50FSP111TW08
	D511781	Wire Harness Assembly	Dryer; Models ATG50FWP301AW01, LTSA9A*N3060 and LTSA9A*N3061
3	801353	Control Wire Harness Assembly	Model LTKA6A*N4350
	801346P	Control Harness Assembly	Models ATE50FWP431AW01, ATG50FWP301AW01, FTE50FSP301NW01, FTE50FSP301NW10, FTG50FSP301NW10, LTE50FGP541NW23, LTL50FGP541NW23, LTSA7A*N3000, LTSA7A*N3300, LTSA7A*N4350, LTSA7A*N4351, LTSA9A*N3000 and LTSA9A*N3060
	801324P	Control Harness Assembly	All other models
4	802274P	Motor Harness Assembly	Models through Serial No. 1201004551
	803581	Motor Harness Assembly	Models starting Serial No. 1201004552
5	802349P	Base Harness Assembly	Model LTKA6A*N4350 through Serial No. 0704007394
	802834P	Base Harness Assembly	Model LTKA6A*N4350 starting Serial No. 0704007395
	802350P	Base Harness Assembly	Models LTSA7A*N3000, LTSA7A*N3300, LTSA7A*N4350, LTSA9A*N3000 and LTSA9A*N3060 through Serial No. 0705003456
	802833P	Base Harness Assembly	Models ATE50FWP431AW01, ATG50FWP301AW01, FTE50FSP301NW01, FTE50FSP301NW10, FTG50FSP301NW10, LTE50FGP541NW23, LTL50FGP541NW23, LTSA7A*N4351 and LTSA9A*N3061; Models LTSA7A*N3000, LTSA7A*N3300, LTSA7A*N4350, LTSA9A*N3000 and LTSA9A*N3060 starting Serial No. 0705003457
	802351P	Base Harness Assembly	All other models through Serial No. 0709009264
	802831P	Base Harness Assembly	All other models starting Serial No. 0709009265
6	D511752P	Security Cabinet Harness Assembly	Models ATE50FWP431AW01, FTE50FSP301NW01, FTE50FSP301NW10, LTE50FGP541NW23, LTKA6A*N4350, LTSA7A*N3000, LTSA7A*N3300, LTSA7A*N4350 and LTSA7A*N4351
	D511767	Security Cabinet Harness Assembly	Models ATG50FWP301AW01, FTG50FSP301NW10, LTL50FGP541NW23, LTSA9A*N3000, LTSA9A*N3060 and LTSA9A*N3061
	D511323	Security Cabinet Harness Assembly	Models LTG50FSP081JW01, LTSA9A*N, LTSA9A*N1180, LTUA9A*N, LTZA9A*N, LTZA9A*N0902 and UTG50FSP111TW08
	D511324P	Security Cabinet Harness	All other models

* Add Letter To Designate Color. Q - Bisque W - White

NOTE: Individual wires are not available separately. Order complete harness, or order wire by the foot. When applying terminals to wires, it is recommended that the terminals be soldered to the wires.

Wire Harnesses and Wires Through Serial No. 1303025314

Models BTE50FSP171TW01, BTE50FSP281CW01, LTSA7A*N, LTSA7A*N1500, LTSA7A*N2989, LTUA7A*N, LTUA7A*N2802, LTZA7A*N, LTZA7A*N2802 and UTE50FSP171TW08



SWD1202P_802847

Wire Harnesses and Wires Through Serial No. 1303025314

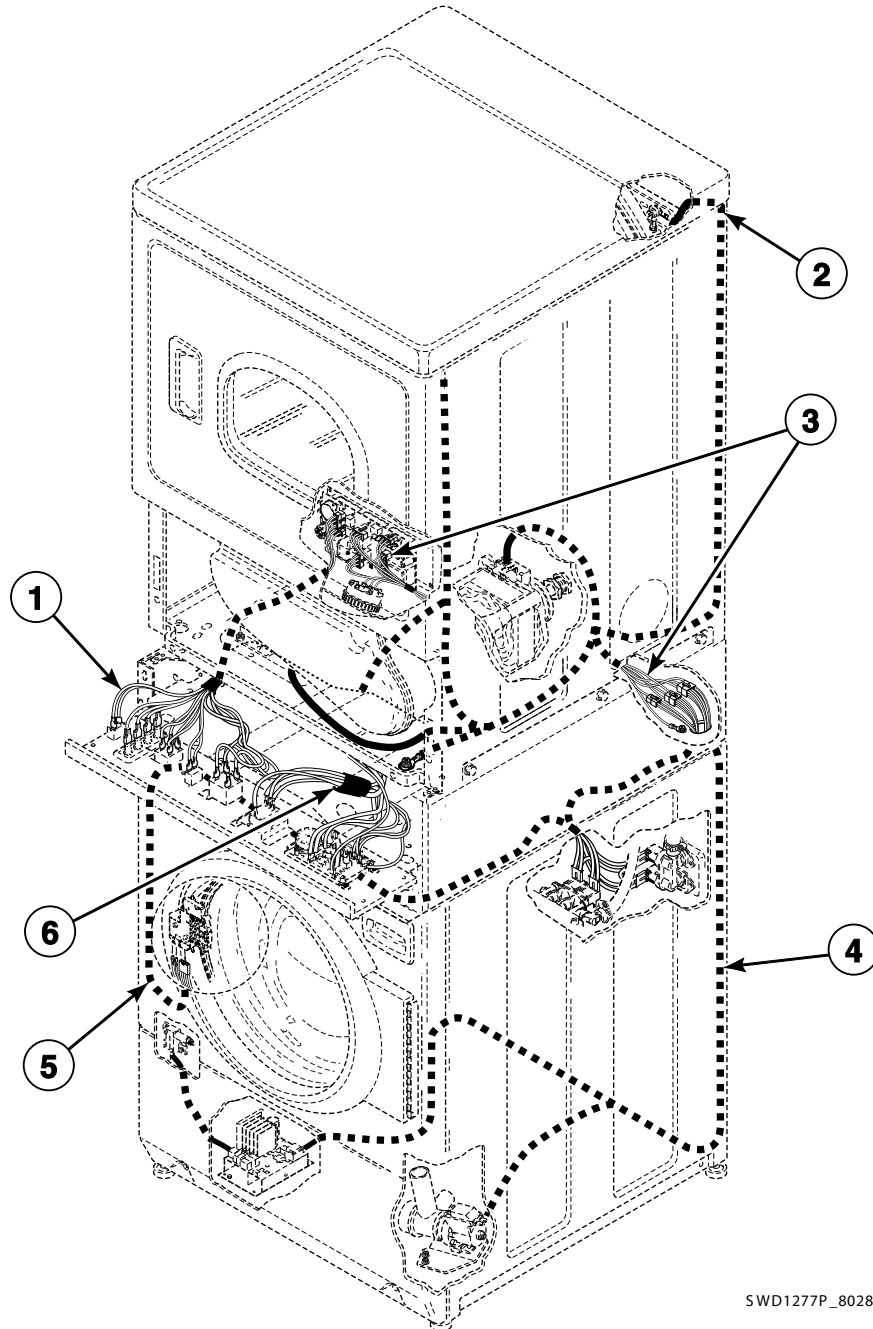
REF	PART NO.	DESCRIPTION	COMMENTS
	45001	18 Gauge Wire	Black
	45380	12 Gauge Wire	Orange
1	801326P	Control Panel Harness Assembly	
2	D511322P	Upper Harness Assembly	Dryer
3	801324P	Control Harness Assembly	
4	802274P	Motor Harness Assembly	Models through Serial No. 1201004551
	803581	Motor Harness Assembly	Models starting Serial No. 1201004552
5	802351P	Base Harness Assembly	Models through Serial No. 0709009264
	802831P	Base Harness Assembly	Models starting Serial No. 0709009265
6	D511324P	Security Cabinet Harness	

* Add Letter To Designate Color. Q - Bisque W - White

NOTE: Individual wires are not available separately. Order complete harness, or order wire by the foot. When applying terminals to wires, it is recommended that the terminals be soldered to the wires.

Harnesses and Wires Starting Serial No. 1303025315

Models BTE50FSP171TW01, BTE50FSP281CW01, LTSA7A*N, LTSA7A*N1500, LTSA7A*N2989, LTUA7A*N, LTUA7A*N2802, LTZA7A*N, LTZA7A*N2802 and UTE50FSP171TW08



SWD1277P_802847

Wire Harnesses and Wires Starting Serial No. 1303025315

REF	PART NO.	DESCRIPTION	COMMENTS
	45001	18 Gauge Wire	Black
	45380	12 Gauge Wire	Orange
1	801326P	Control Panel Harness Assembly	
2	D513946	Wire Harness	Dryer
3	801324P	Control Harness Assembly	
4	802274P	Motor Harness Assembly	Models through Serial No. 1201004551
	803581	Motor Harness Assembly	Models starting Serial No. 1201004552
5	802351P	Base Harness Assembly	Models through Serial No. 0709009264
	802831P	Base Harness Assembly	Models starting Serial No. 0709009265
6	D511324P	Security Cabinet Harness	

* Add Letter To Designate Color. Q - Bisque W - White

NOTE: Individual wires are not available separately. Order complete harness, or order wire by the foot. When applying terminals to wires, it is recommended that the terminals be soldered to the wires.

Parts Index

A

Access Panel and Guard Assembly	
D514252Q.....	35
Access Panel Assembly	
D514250Q.....	11, 35
D514250WP.....	11, 35
Access Panel Plate	
D510903.....	53
Adhesive	
D511637P.....	39, 41
Air Duct Assembly	
D518432.....	39
D518433.....	39
Anchor Floor Mount Assembly	
802844P.....	25
Anti-Seize Compound	
27604P.....	19

B

Backflow Preventer	
34500.....	13, 15
800310.....	23
Ballast Weight	
800205.....	17
Base Assembly	
803876.....	25
Base Harness Assembly	
802349P.....	65
802350P.....	65
802351P.....	65, 67, 71
802831P.....	65, 67, 71
802833P.....	65
802834P.....	65
Base Shock Absorber Kit	
807875.....	17
Bearing Housing Kit	
800428P.....	19
Bearing Kit	
RB160001.....	19
Blower and Fan Kit	
D510717P.....	37
Blower Fan Assembly	
D510139P.....	37
Blower Housing	
D511969WP.....	37
Blower Housing Seal	
D510238P.....	37
Booster and Holding Coil	
58804A.....	47
Boot Nozzle	
802291.....	11, 13
Brace Kit	
918P3.....	25
Bracket	
D510146.....	53
Bumper Pad	
36226.....	25

56128.....	53
Burner Assembly	
D510149P.....	47

C

Cabinet Brace	
801491.....	25
801492.....	25
Cabinet Panel Kit	
800004QP.....	25
800004WP.....	25
Cabinet Rear Panel	
D514632P.....	53
Cabinet Side Panel	
D510001QP.....	53
D510001WP.....	53
D510002QP.....	53
D510002WP.....	53
Cable Connection Box	
39922.....	27
Cap	
801746.....	13
Caution Label	
D500253.....	35
Clamp Ring	
800312.....	17
Clothes Guard	
803537.....	17
Clothes Guard and Deflector Kit	
804560P.....	17
Clothes Guard Deflector	
804174P.....	17
804482.....	17
Combustion Duct	
D510131.....	45
Contacto Bracket	
D511859.....	53
Control Access Door	
801373.....	5
Control Assembly	
802523P.....	5
804670P.....	5
Control Cabinet Bottom	
801777.....	9
Control Harness Assembly	
801324P.....	65, 67, 71
801346P.....	65
Control Knob Assembly	
803119P.....	9
Control Panel Assembly	
802101W.....	9
Control Panel Harness Assembly	
801326P.....	65, 67, 71
802114.....	65
Control Shield	
801061.....	21
801371.....	5
801372.....	5
804738.....	21

N/A items do not appear in index.

Control Wire Harness Assembly 801353	65
Cycle Switch 801240	9
Cylinder Assembly D510159WP	39
D510265LGP	39
D510265WP	39
Cylinder Baffle D510102LG	39
D510102W	39
Cylinder Belt D511255P	37
Cylinder Glide D513710	39
Cylinder Glide Bracket D510145	39
Cylinder Roller D510708P	41
Cylinder Roller Bracket D510100	41
Cylinder Seal Assembly D510207P	39, 41

D

Damper 58786	53
Detergent Cover 800899	13
Directional Exhaust Kit 528P3	53
Disconnect Power Warning Label D505281	63
Dispenser 685756P	13
801090P	13
Dispenser Assembly 801476P	13
Dispenser Drawer 685757P	13
Dispenser Drawer Front 685715QP	13
685715WP	13
Dispenser Drawer Tool 318P4	61
Dispenser Plate 801024	13
Dispenser-to-Door Seal Hose 802256	11, 13
Dispenser-to-Tub Hose 800331	13
Domed Label 202128	9
800921	9
800922	9
800923	9
Door and Liner Assembly D511636QP	33
Door Assembly D516737W	31, 33
802617WP	11
804914QP	11

804914WP	11
Door Catch Assembly D510177	35
802803	11
Door Glass 802695P	11
Door Handle Wedge D510129W	31
Door Hinge 802934	11
Door Latch/Switch Assembly 802317P	11
Door Liner Grill D503870LG	31
D503870W	31
Door Pull and Wedge Kit D510103WP	31
Door Seal Assembly 802866P	11, 13
Door Seal Kit 802830P	11, 13
Door Strike D510181	31
Door Strike Mount D510127	31
Drain Hose 685730	23
Drain Hose Sleeve 33615	23
Drain Kit 985P3	23
Drain Pump 802623P	23
802624P	23
802625P	23
Drive Belt 800319P	21
Driven Pulley 800866	19
Dryer Base D514245	53
Dryer Door D510082QP	31
D510082WP	31
Dryer Door Assembly D514114Q	31
Dryer Door Window D503982P	31
Drying Rack D512082P	39

E

Elbow D513072	47
Elbow Shut-Off Valve D510205	47
Electrical Shock Label D502511	63
F8211201	17, 63
Exhaust Duct D516196	53

N/A items do not appear in index.

Exhaust Warning Label D500497	63
Expansion Clip 70030501	5, 9
Extractor Tool 128P4	57
190P4	57

F

Fabric Selector Switch D513505	7
Felt Pad D510189	39
Female Terminal 00188	57
00255	57
00256	57
Fill Hose 202800	15
202931	15
20617	15
20618	15
37380	15
Fill Hose Kit 38349P	15
Filter Jumper Harness 808048	27
Flexible Venting Kit 521P3	53
Front Bulkhead Assembly D510266P	39
D511033WP	39
Front Panel D510066QP	35
D510066WP	35
802277QP	11
802277WP	11
Front Panel Assembly D513781WP	35
Front Panel Pad 204552	11
Front Panel Seal D511056	35
Fuse 801755	21
Fuse Notice Label 61294	53

G

Gas Valve Assembly D510506P	47
59063P	47
60353P	47
Gas Valve Mounting Bracket D510128	47
Gasket 802427	23
Glass Mounting Clip 802700	11

Glide Kit RB170003	39
Graphic Overlay 801142	9
802099	9
803362	9
Grommet 29175	17
Grounding Clip 00161	17

H

Hardware Kit 838P3	19
Harness Strap 55881	11, 13, 29
Heat Duct Shroud D510101	45
Heater D510325P	43
Heater Assembly D510324P	43
D510326P	43
D510327P	43
D510329P	43
Heater Duct Assembly D510705P	43, 45
Heater Harness Assembly 802322P	17
Heater Kit 964P3	43
Heater Kit Assembly 61927	43
61928	43
61929	43
61930	43
Heating Element 804777P	17
Hinge D511036	33
Hinge Hole Plug D510186	35
Hinge Plate 802206	11
Hole Plug M412154	25
Hose Clamp F200204	23
F200206	13
39282	17
685725	13
802164	11, 13, 15
802281	11
802698	11, 13
Hose Clip 36985	5, 29
800553	19
Hose Mounting Plate 800552	19
Housing, 10 Position D500338	57

N/A items do not appear in index.

I

Idler Lever	
D516310	37
Idler Lever and Wheel Assembly	
D516792	37
Idler Spring	
D510185	37
Idler Wheel and Bearing Assembly	
D510142P	37
Igniter and Bracket Assembly	
D510184P	47
Inner Basket Assembly	
802365P	19
803008P	19
804322	19
Inner Door Bezel Kit	
808095	11
Insert	
685716	13
Inverter Control Assembly	
803254P	21
803255P	21

J

Jumper Assembly	
801333	5
Jumper Configuration Assembly	
M413507	5
804212	5
Jumper Harness	
D513268	21
D513316	21
Jumper Harness Assembly	
M413504	5
Junction Box	
801403	27
804360	27
Junction Box Cover	
801404	27
Junction Box Seal	
801425P	27

K

Knob Assembly	
36701Q	9
36701W	9
803118P	9

L

Lead-In Cord	
D512019	55
201574	27
34458	29
59308	55
59373	55

Lead-In Pipe Assembly	
D510204	47
Left Control Cabinet Side	
800900QP	5
800900WP	5
Left Hand Thread Label	
685928	25
Leveling Leg	
D510135	53
34319	25
Lid Assembly	
802426P	23
Light	
801431	9
801432	9
Limit Thermostat	
D510701	43
D510702	45
Line Filter	
201058	27
Liner and Seal Assembly	
D516509	31
Liner Door Seal	
D510147P	31
Lint Filter	
D503980LG	39
D503980W	39
Lint Filter Cover	
D510502LG	39
D510502W	39
Lint Filter Label	
D502804	35
Lower Junction Box	
801433	27
L.P. Conversion Kit	
401P3	47
649P3	47
L.P. Orifice	
D503786	49
58755	49
60941	49

M

Manual Reset Thermostat	
M411941	37
Mixing Valve	
802220P	15
802222P	15
Mixing Valve Plate	
800323	15
Mixing Valve Screen	
802926	15
Motor Access Hole Edging	
801702	25
Motor and Pulley Assembly	
D505843P	37
D505869P	37
D511629P	37
Motor and Rod Assembly Kit	
801684P	21
Motor Harness Assembly	
802274P	65, 67, 71

N/A items do not appear in index.

803581	65, 67, 71
Motor Hub Ring Kit 590P3	37
Motor Mount D518517	37
Motor Mount Clamp D510180	37
Motor Mount Rod 801062	21
Motor Pulley D500011	37
D500222	37

N

Nut	
F430218	17, 19
03673	29
21899	25
23951	11
36020	11
44071201	33
52566	37
56156	37, 41
685846	11
800452	17, 19
800931	5
802292	11, 13
802343	17
803017	19
N.G. Conversion Kit	
402P3	47
650P3	47
N.G. Orifice	
D503776	51
D503778	51
D503779	51
D503780	51
D503781	51
D503782	51
D510517	51

O

O-Ring	
802429P	23
Outer Bezel Assembly 802616WP	11
Outer Door Bezel Kit 802313QP	11
802313WP	11
Outer Tub Assembly 801081P	17
801291	17
Outlet Cover D500820	43, 45
Out-of-Balance Switch Assembly 803415	17
Out-of-Balance Switch Assembly Kit 806512	17
Oversudsing Label 802074	63
802838	63

802839	63
--------------	----

P

Panel Kit	
727P3Q	53
727P3W	53
Panel Locator 56079	11, 25, 35, 53
Pinched Fingers Label F8615701	17, 63
Pop Rivet 685847	19
Porcelain Touch-Up Paint	
122P4P	53
370P4P	53
Power Cord Assembly	
204061	27
57397	55
58992	55
801450	27
801660	27
808047	27
Pressure Bulb Assembly 205241	17
Pressure Switch 802299P	5
Pulley Bolt Tightening Fixture 802336	61
Pump Housing 802428	23
Pump Housing Assembly 802434P	23
Pump Mount Bracket 802626	23
Push-to-Start Switch	
801434Q	9
801434W	9

R

Rear Access Panel 800011	25
Rear Bulkhead Assembly	
D510905WP	41
D511082P	41
Rear Control Cabinet 801058	5
Rear Panel 800010P	25
Resistor 210100	5
Resistor Assembly D511277	7
Retainer Clip 36014	23
Retaining Ring 23748	21, 37, 41
Right Control Cabinet Side	
800915Q	5
800915W	5

N/A items do not appear in index.

Rocker Switch	
38424Q	9
38424W	9
Roller Kit	
RB170002	41
Rubber Foot	
34318	25

S

Screw	
D500226	31
D500824	37
D501086	7, 9, 15
D501285	39, 41
D501524	5, 21
D502431	53
D503661	5, 11, 15, 17, 21, 23, 25, 27, 53
D503688	5, 35, 37, 39, 41, 43, 45, 47, 53
D505295	33, 39
D505870	31, 33
M400043	19, 59
M400057	21
M405188	25
20530	55
23222	37, 43, 47
31260	37
31645	25
33562	35
39733	11, 25, 35, 53
430497	5, 25
51782	45, 47
52864	39
56124	47
61199	41
62588	39
62853	35
685831	19
685837	29
800461	17
800462	17, 19
800548	11, 13
800930	9
801001	13
801019	11
801045	11
801993	11
802430	23
802431	23
802596	17
Screw Orifice	
58719	51
Seal Kit	
RB170001	39, 41
Sealant	
27615P	23
Secondary Coil	
58804B	47
Security Cabinet Harness	
D511324P	65, 67, 71
Security Cabinet Harness Assembly	
D511323	65
D511752P	65
D511767	65
Sensor	
D510213	47

Shaft	
D56461P	37
56461P	41
Shipping Bracket Label	
807552	59
Shipping Materials Kit	
930P3	59
Side Panel Kit	
800005QP	25
806492	25
Snap Bushing	
M402542	5, 27
Speed Clip	
28835	35
Standpipe Strap	
33489	23
Strain Relief	
32219	23
38384	29, 55
52113	55
52151	55
60298	27, 55
Strain Relief Adapter	
D502496	55
Switch	
D512973	35
Switch Mounting Bracket	
800663	17
803388	17

T

Temperature Switch	
35117	7
687542	7
Tension Rod Assembly	
800666	19
Terminal Block Assembly	
D510190P	41
Terminal Block Shield	
D510237	41
Terminal Extractor Tool	
283P4	57
Thermal Fuse Assembly	
D518649	43
Thermistor	
803256	17
Thermostat	
D504515	37
D510707P	37
D511887	37
D511957	37
Thermostat Opening Cover	
61203	25
Timer	
D502964P	7
D505794P	7
D505795P	7
D505796P	7
D517386	7
D517387	7
Timer and Harness Kit	
D505797P	7

N/A items do not appear in index.

Timer Knob Assembly	
D512117Q	9
D512117W	9
Timer Replacement Kit	
D519033	7
D519037	7
Top Hinge	
D510136	53
Top Kit	
D510032QP	53
D510032WP	53
Transformer	
210018P	5
803527P	5
Transformer Kit	
D511658P	53
Trunnion Shaft and Hardware Kit	
800749P	19
Tub Front Assembly	
802258	17
802259	17
Tub Front Seal	
800432P	17, 19
Tub Shock Absorber Kit	
800622P	17
Tubing	
800648P	17
Tub-to-Pump Hose	
800317	23

U

Upper Harness Assembly	
D511322P	67
D511325P	65

V

Valve Kit	
685766P	13
801836P	13
Valve-to-Dispenser Inlet Hose	
801464	13, 15
Venting Instruction Label	
D502791	63
Voltage Warning Label	
62104	63

W

Warning Label	
D500049	17, 63
D500314	17, 63
D512263	35
802367	63
803260	63
803522	63
Warning/Caution Label	
D500281	35
Washer	
D504082	41

M400014	59
M400080	21
M400081	17
M403958	19
02834	21
03815	29
20290	15
26509	53
52549	21, 37, 41
800457	17, 19
802254	15
802293	11, 13
803615	15
807679	19
Water Hose	
F200116	15
Window Clip	
D513958	33
Window Trim	
D503981Q	33
D503981W	33
D512633	33
D513960Q	33
Wire Assembly	
D518255	43
D518256	43
Wire Clamp	
800811	17
Wire Clip	
D504034	29
687500	11, 13, 29
Wire Harness	
D513946	71
Wire Harness Assembly	
D511303	53
D511750P	65
D511751	65
D511781	65
D514256	41
801421	27
802013	27
Wire Ring and Spring	
806466	11
Wire Tie	
38663	29
Wire, 12 Gauge	
45380	65, 67, 71
Wire, 18 Gauge	
45001	65, 67, 71
Wrench	
392P4	61

N/A items do not appear in index.

